



US00D838029S

(12) **United States Design Patent** (10) **Patent No.:** **US D838,029 S**
Stolte et al. (45) **Date of Patent:** **** Jan. 8, 2019**

(54) **LIGHTING FIXTURE**

(71) Applicant: **KENALL MANUFACTURING COMPANY**, Kenosha, WI (US)

(72) Inventors: **Brandon Stolte**, Lindenhurst, IL (US);
Kevin Dahlen, Lindenhurst, IL (US);
James W. Hawkins, Lake Forest, IL (US)

(73) Assignee: **KENALL MANUFACTURING COMPANY**, Kenosha, WI (US)

(**) Term: **15 Years**

(21) Appl. No.: **29/588,731**

(22) Filed: **Dec. 22, 2016**

Related U.S. Application Data

(60) Division of application No. 29/542,324, filed on Oct. 13, 2015, now Pat. No. Des. 779,114, which is a division of application No. 29/487,609, filed on Apr. 10, 2014, now Pat. No. Des. 747,824, which is a division of application No. 29/464,699, filed on Aug. 20, 2013, now Pat. No. Des. 707,387, which is a continuation of application No. 13/005,288, filed on Jan. 21, 2011, now Pat. No. 8,905,589.

(51) **LOC (11) Cl.** **26-03**

(52) **U.S. Cl.**
USPC **D26/89**

(58) **Field of Classification Search**
USPC D26/72, 85, 89, 119, 128-137, 142, 152
CPC F21S 8/022; F21S 8/03; F21S 8/033; F21S 8/04; F21S 8/043; F21V 29/506; F21V 21/03; F21V 3/04; F21V 3/0418; F21V 3/0427; F21V 3/0436; F21V 3/0445; F21V 21/14

See application file for complete search history.

(56) **References Cited**

U.S. PATENT DOCUMENTS

D30,094 S *	1/1899	Busch	D26/152
4,729,076 A	3/1988	Masami et al.	
4,782,435 A	11/1988	Manzoni	
D393,093 S *	3/1998	Fiorato	D26/85
D443,713 S *	6/2001	Benensohn	D26/72
D464,164 S *	10/2002	Thompson	D26/89
D465,599 S *	11/2002	Thompson	D26/89
D469,916 S *	2/2003	Caferro	D26/123
D483,903 S *	12/2003	Skradski	D26/118

(Continued)

OTHER PUBLICATIONS

From eurostylelighting.com visited Aug. 5, 2010: Murray-Feiss Essential Ceiling light (Year: 2010).*

(Continued)

Primary Examiner — Clare E Heflin

(74) *Attorney, Agent, or Firm* — Marshall, Gerstein & Borun LLP

(57) **CLAIM**

The ornamental design for a lighting fixture, as shown and described.

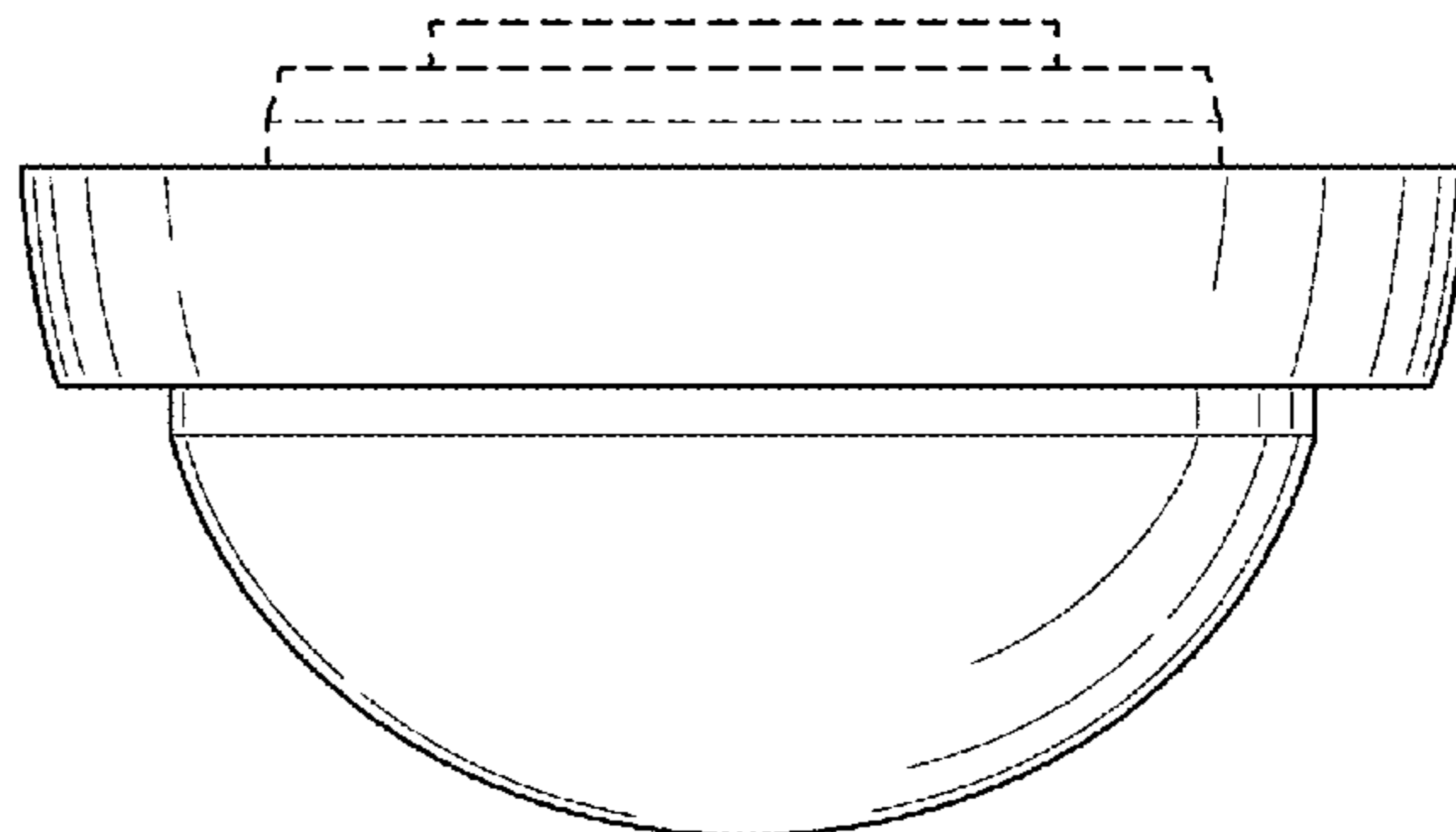
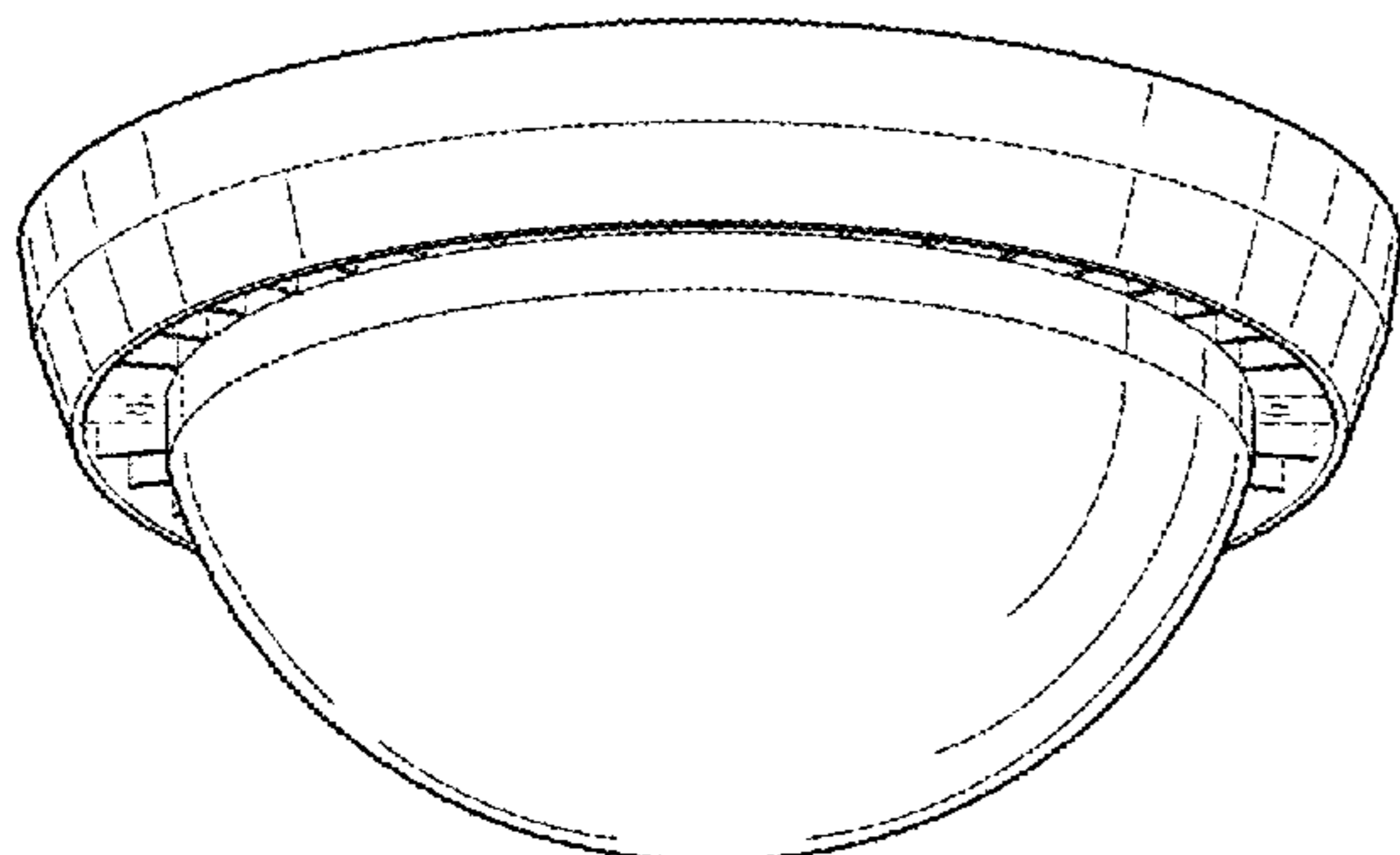
DESCRIPTION

FIG. 1 is a perspective view showing a new design for a lighting fixture angled rearward approximately 15 degrees from vertical;

FIG. 2 is a front view of the lighting fixture of FIG. 1; FIG. 3 is a bottom view of the lighting fixture of FIG. 1; FIG. 4 is a perspective view of the lighting fixture of FIG. 1 angled rearward approximately 30 degrees from vertical; and,

FIG. 5 is a perspective view of the lighting fixture of FIG. 1 angled rearward approximately 45 degrees from vertical.

(Continued)



The broken lines shown on the drawings depict portions of the light fixture that form no part of the claimed design.

1 Claim, 3 Drawing Sheets

(56)

References Cited

U.S. PATENT DOCUMENTS

6,705,747	B2	3/2004	Caferro et al.	
D535,051	S *	1/2007	Stauffer	D26/128
D571,034	S *	6/2008	Goetz-Schaefer	D26/85
D583,091	S *	12/2008	Benensohn	D26/89
7,593,229	B2	9/2009	Shuy	
7,604,380	B2	10/2009	Burton et al.	
7,611,264	B1 *	11/2009	Chang	F21K 9/00 362/249.02
D607,600	S *	1/2010	Keith	D26/104
7,682,055	B2	3/2010	Shuai et al.	
7,712,925	B2	5/2010	Russell	
7,775,692	B2	8/2010	Li	
7,810,965	B2	10/2010	Weaver	
7,828,465	B2	11/2010	Roberge et al.	
7,832,898	B2	11/2010	Li	
D628,738	S *	12/2010	Chen	D26/89
7,857,497	B2	12/2010	Koike et al.	
7,862,210	B2	1/2011	Zhang et al.	
7,866,847	B2	1/2011	Zheng	
7,874,700	B2	1/2011	Patrick	
D634,053	S	3/2011	Guercio	
D639,996	S	6/2011	Stolte et al.	
7,959,329	B2	6/2011	Van De Ven	
7,972,036	B1	7/2011	Schach et al.	
7,979,197	B2	7/2011	Finn et al.	
8,157,422	B2	4/2012	Paik et al.	
8,164,237	B2	4/2012	Wen	
8,201,968	B2	6/2012	Maxik et al.	
8,226,273	B2	7/2012	Lai	
8,235,097	B2	8/2012	Scordino et al.	
8,272,765	B2	9/2012	Ter-Hovhannisyan	
8,430,528	B2	4/2013	Yu et al.	
8,672,518	B2	3/2014	Boomgaarden et al.	
D707,387	S *	6/2014	Stolte	D26/142
8,905,589	B2	12/2014	Stolte et al.	
D747,824	S *	1/2016	Stolte	D26/89
D768,907	S *	10/2016	Stolte	D26/152
2009/0046473	A1	2/2009	Tsai et al.	

2009/0296387	A1	12/2009	Reisenauer et al.
2009/0296403	A1	12/2009	Zhang et al.
2010/0091487	A1	4/2010	Shin
2010/0124058	A1	5/2010	Miller
2010/0172143	A1	7/2010	Cunius
2010/0208473	A1	8/2010	Sakai et al.
2011/0110095	A1	5/2011	Li et al.
2011/0133622	A1	6/2011	Mo et al.
2011/0291594	A1	12/2011	Tanaka et al.
2012/0217861	A1	8/2012	Soni

OTHER PUBLICATIONS

From eurostylelighting.com visited Aug. 5, 2010: Sonneman Vienna Polished nickel 17" ceiling light. (Year: 2010).*

From eurostylelighting.com visited Aug. 5, 2010: Forecast Presto Collection 10" wide ceiling light. (Year: 2010).*

From eurostylelighting.com visited Aug. 5, 2010: 1) Sonneman Trumpet 21" surface ceiling light; and 2) Sonneman Rialto 17" ceiling light. (Year: 2010).*

American Electric Lighting, LEDR LED Roadway, Advertising Brochure, before Dec. 20, 2010, 12 pages.

Dialight Corporation, DuroSite, LED Low Bay Fixture, unknown publication date, 2 pages, Dialight Website.

Dialight Corporation, DuroSite_highbay_dlc, Press Release, Aug. 25, 2010, 1 page, Dialight Website.

Dialight Corporation, DuroSite_LED_Lowboy, Press Release, Apr. 5, 2011, 1 page, Dialight Website.

Dialight, DuroSite LED High Bay, Advertising Brochure, before Dec. 20, 2010, 8 pages.

Electromatic Products, High Light Low Energy LED Lighting, Advertising Brochure, before Dec. 20, 2010, 2 pages.

Philips Corporation, Canlyte product brochure, unknown date, 16 pages—reference p. 7, Canlyte a Philips Group Brand, Printed in Canada.

From eurostylelighting.com, visited on Aug. 5, 2010—Murray Feiss Essentail Ceiling light; 2.) Sonneman Vienna Ceiling light; 3.) Forecast satin nickel ceiling light.

From eurostylelighting.com, visited on Aug. 5, 2010—Sonneman Vienna polished nickel 17" ceiling light.

From eurostylelighting.com, visited on Aug. 5, 2010—Forecast Presto Collection 10" wide ceiling light.

From eurostylelighting.com, visited on Aug. 5, 2010—Sonneman Trumpet 21" surface ceiling light and Sonneman Rialto 17" ceiling light.

* cited by examiner

FIG. 1

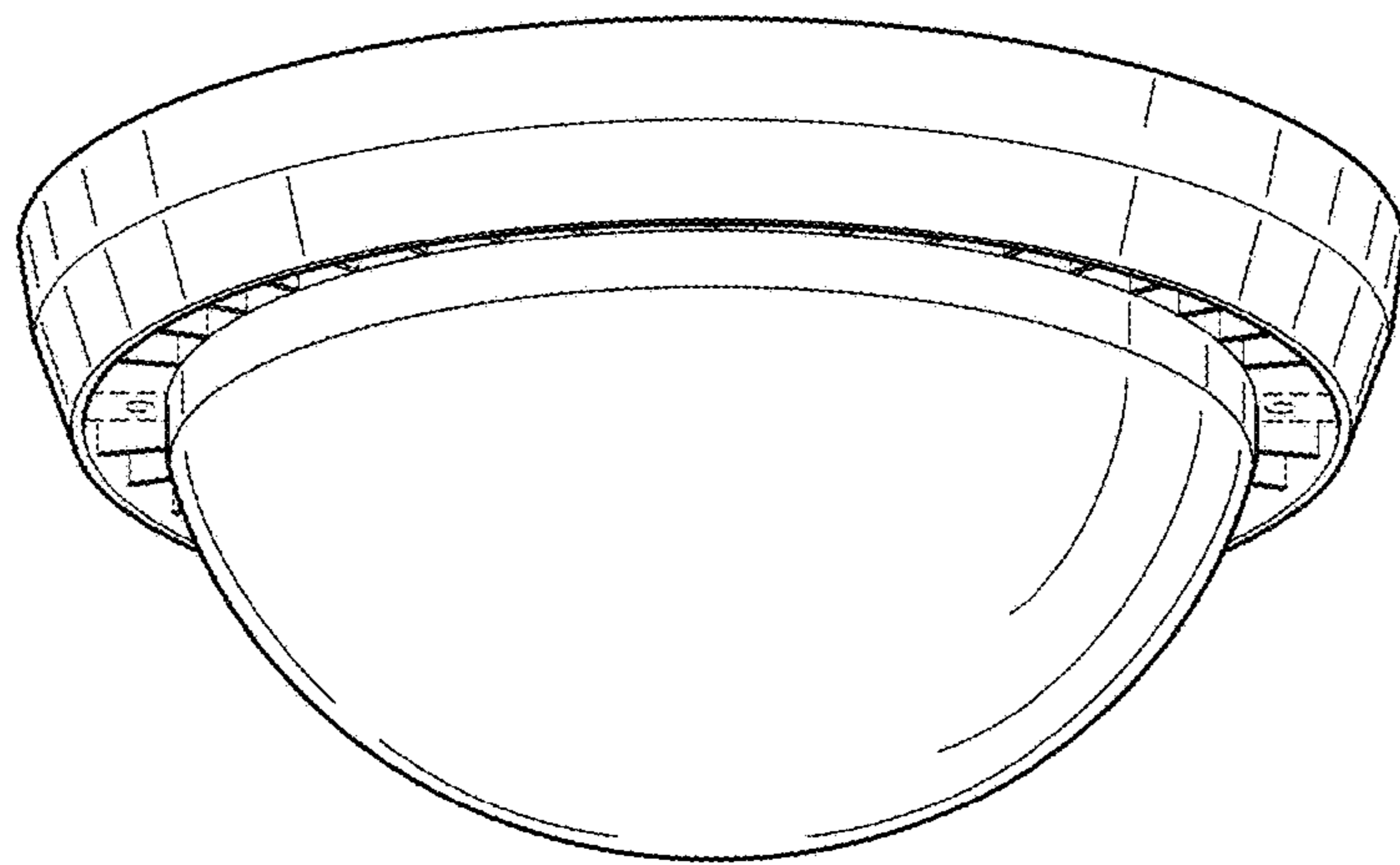


FIG. 2

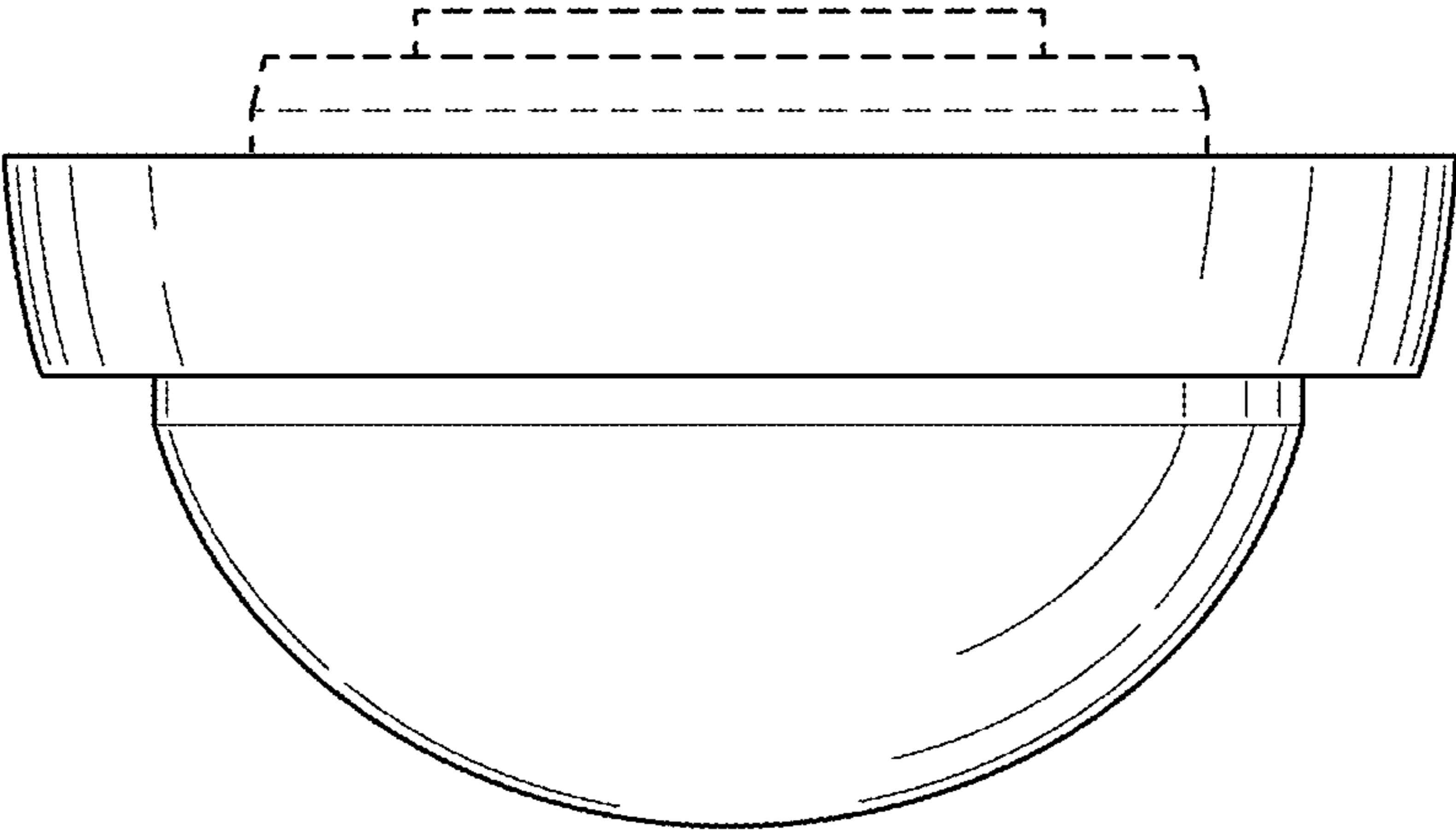
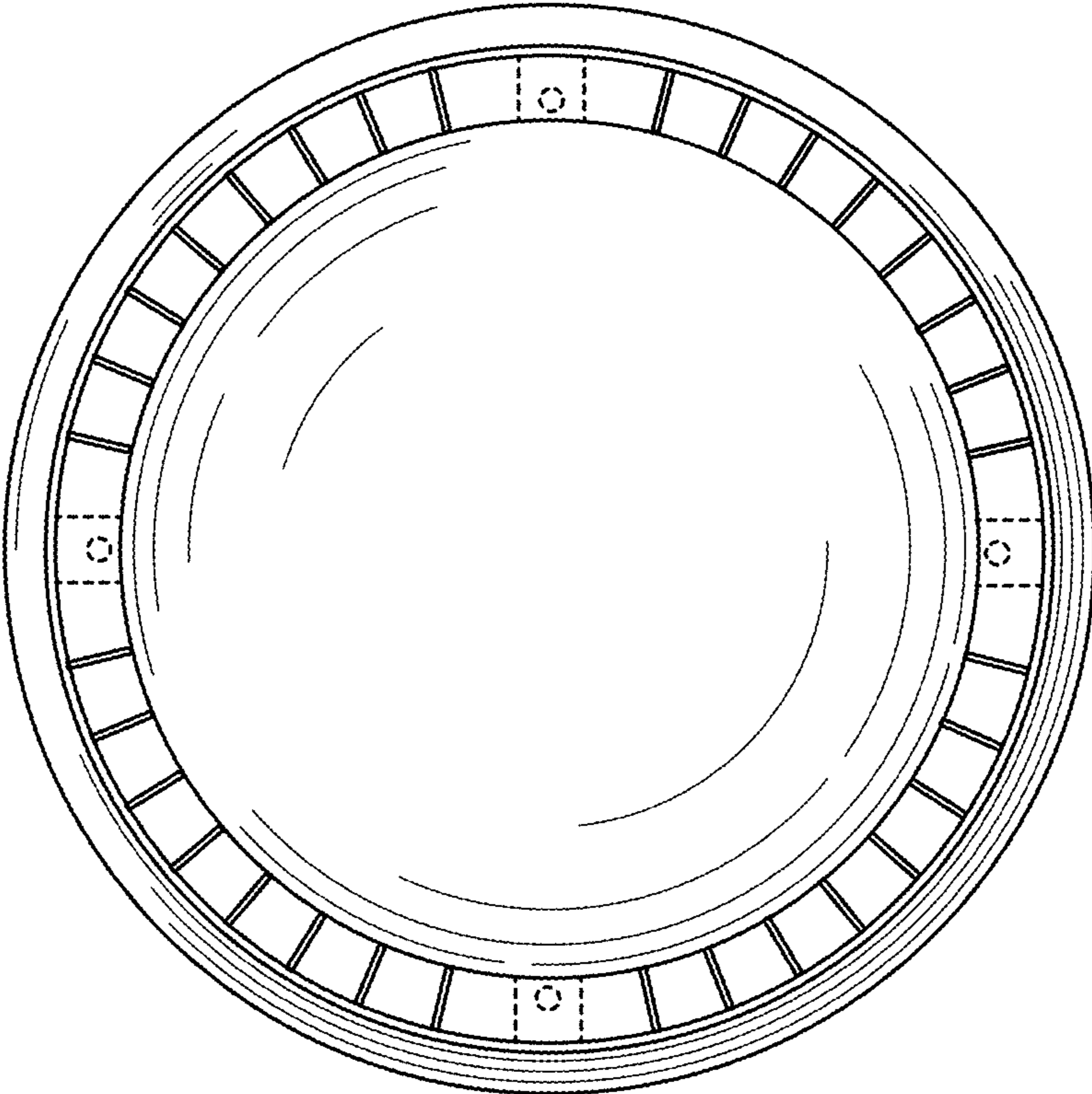


FIG. 3



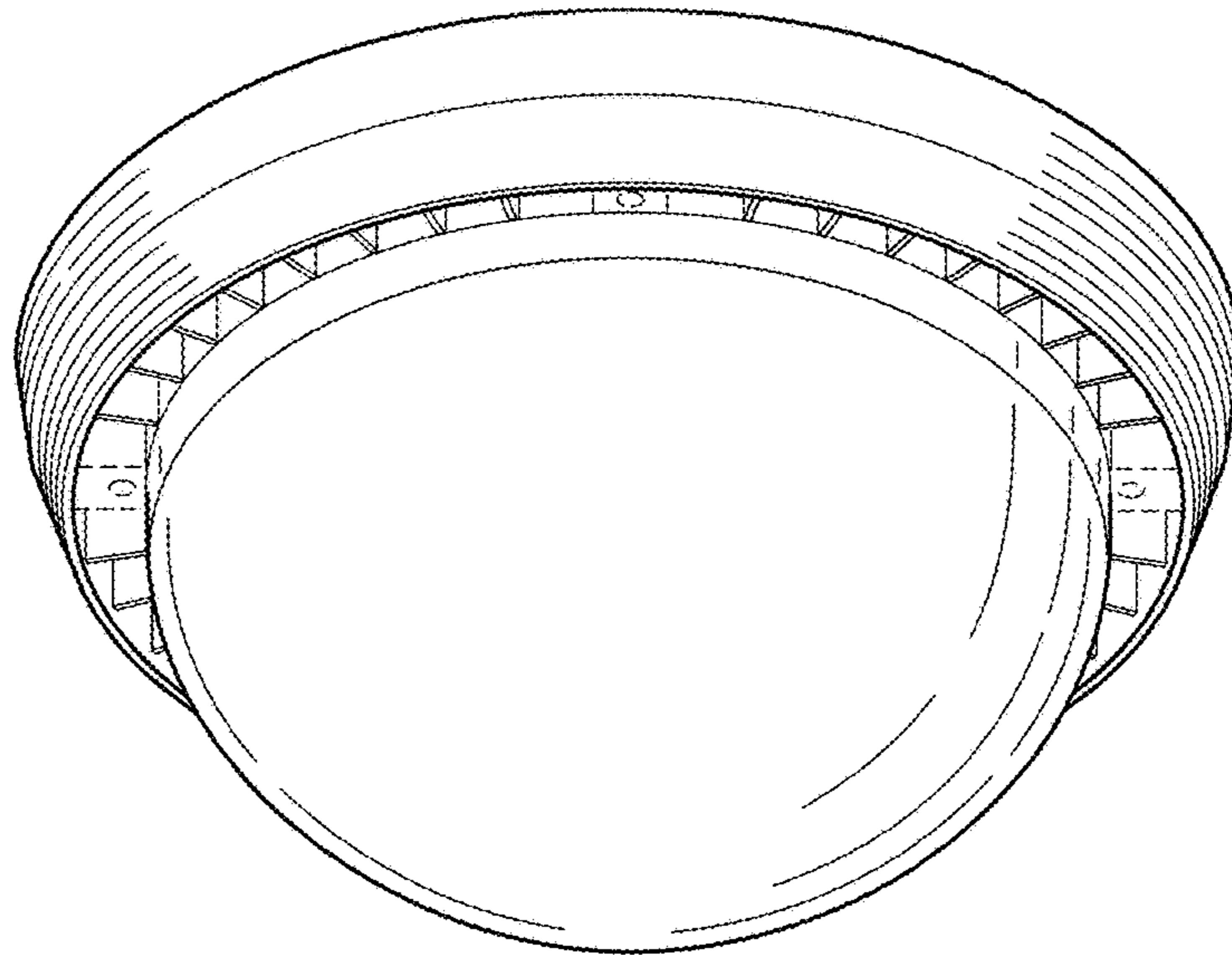


FIG. 4

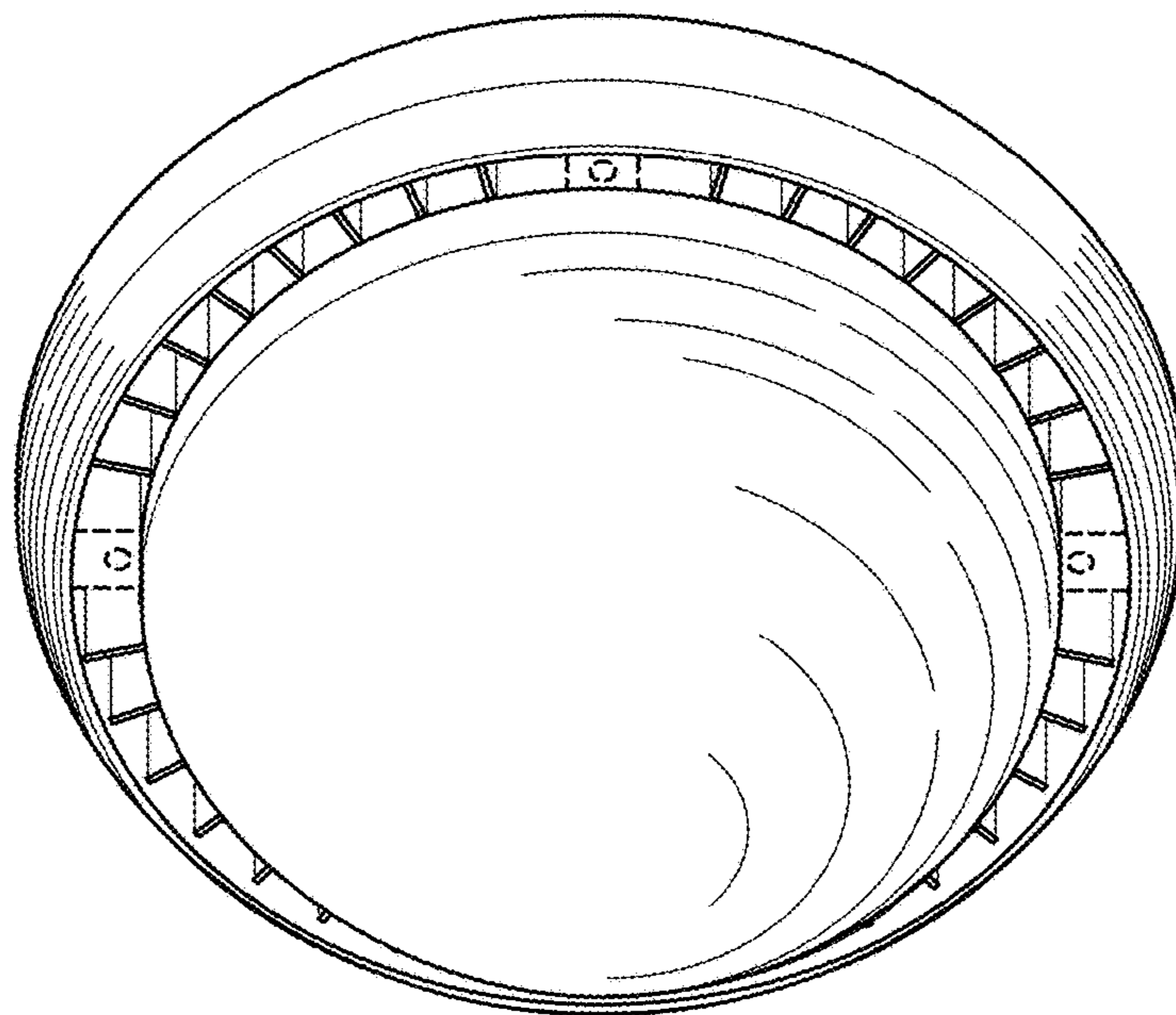


FIG. 5