



US00D838026S

(12) **United States Design Patent**  
**Jiang**

(10) **Patent No.:** **US D838,026 S**

(45) **Date of Patent:** **\*\* Jan. 8, 2019**

(54) **GROUND LAMP**

(71) Applicant: **Yingying Jiang**, Chengdu (CN)

(72) Inventor: **Yingying Jiang**, Chengdu (CN)

(\*\*) Term: **15 Years**

(21) Appl. No.: **29/625,724**

(22) Filed: **Nov. 13, 2017**

(51) **LOC (11) Cl.** ..... **26-05**

(52) **U.S. Cl.**  
USPC ..... **D26/67**

(58) **Field of Classification Search**  
USPC ..... D26/8, 60, 63, 67, 68, 87  
CPC .... F21S 9/03; F21S 9/037; F21S 8/081; F21S  
8/083; F21V 21/0824; F21V 37/0095;  
F21V 21/26; F21V 21/29; F21V 21/30;  
F21W 2111/02; F21W 2111/023; F21W  
2111/027; F21W 2111/06; F21W  
2131/103; F21W 2131/109  
See application file for complete search history.

(56) **References Cited**

**U.S. PATENT DOCUMENTS**

D164,065 S \* 7/1951 Rutledge ..... D26/71  
D254,154 S \* 2/1980 Young ..... D16/239  
D272,003 S \* 12/1983 Jankowski ..... D26/107

5,211,470 A \* 5/1993 Frost ..... F21S 8/081  
362/183  
D355,042 S \* 1/1995 Panagiotou ..... D26/63  
D439,999 S \* 4/2001 Stekelenburg ..... D26/65  
D528,242 S \* 9/2006 Wood ..... D26/67  
9,890,938 B2 \* 2/2018 Zhang ..... F21V 21/06  
D821,624 S \* 6/2018 Huyghe ..... D26/63

\* cited by examiner

*Primary Examiner* — Clare E Hefflin

(74) *Attorney, Agent, or Firm* — Law Offices of Steven  
W. Weinrieb

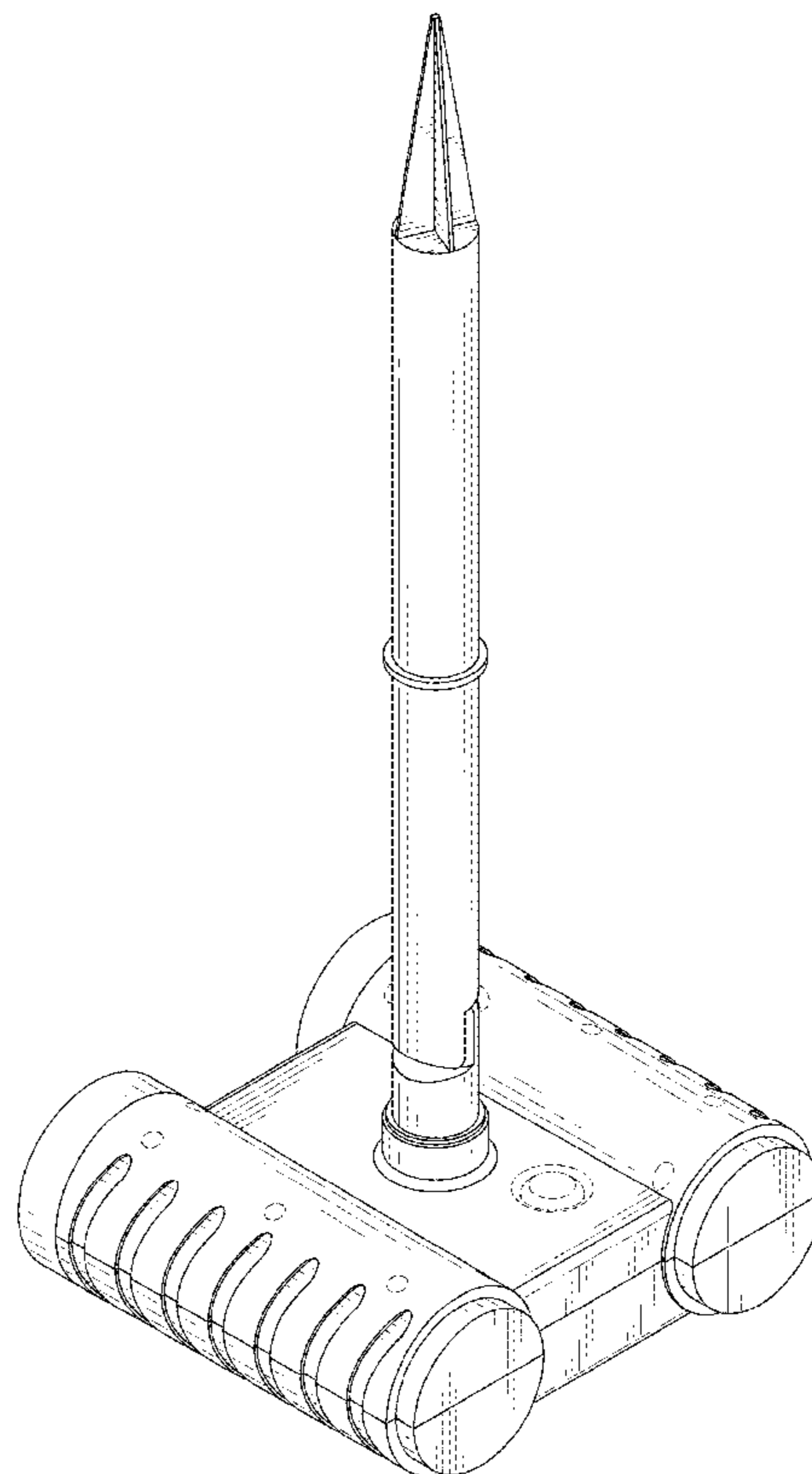
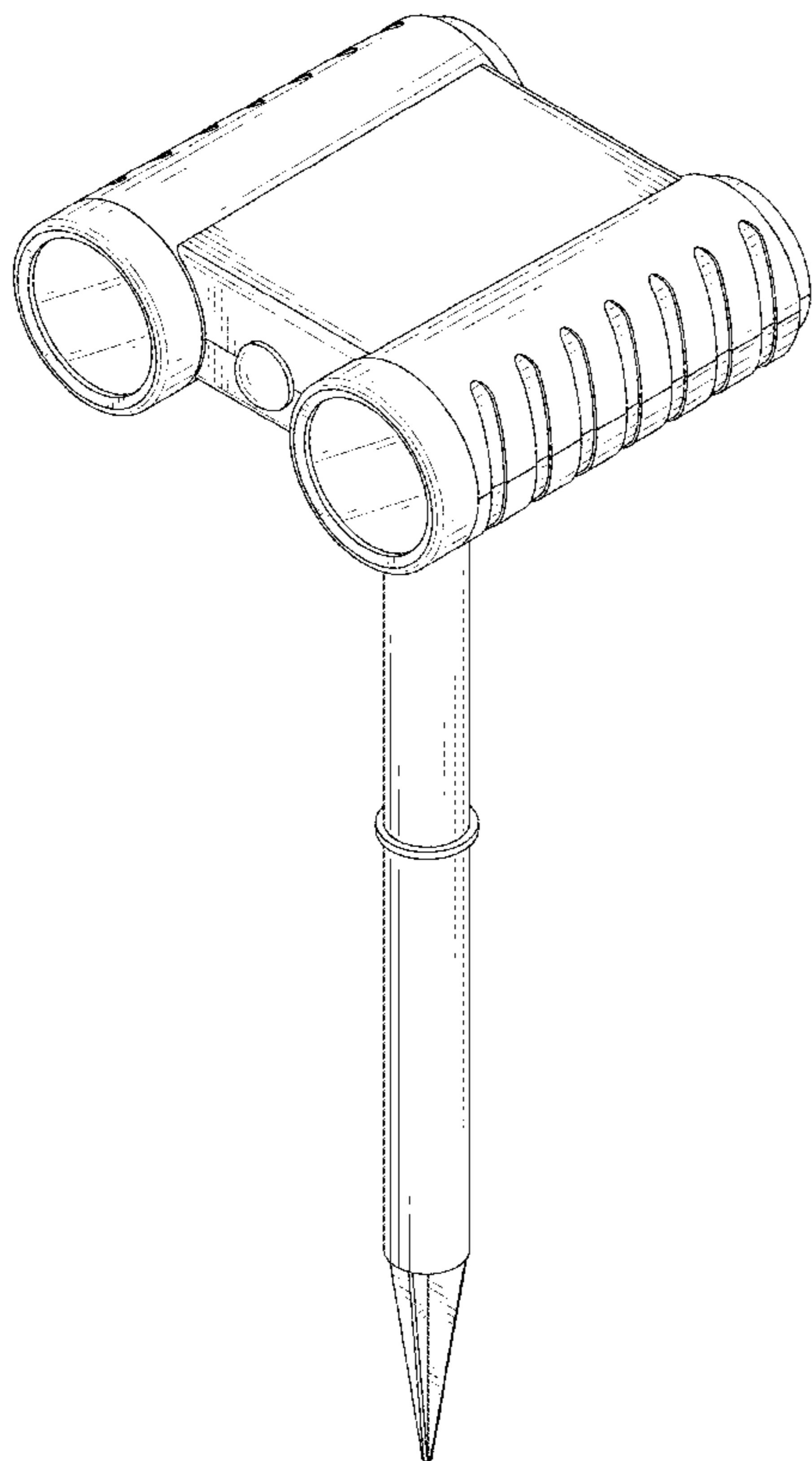
(57) **CLAIM**

The ornamental design for a ground lamp, as shown and  
described.

**DESCRIPTION**

FIG. 1 is a front right side top perspective view of the ground  
lamp showing my new design;  
FIG. 2 is an inverted left side bottom perspective view  
thereof;  
FIG. 3 is a front elevational view thereof;  
FIG. 4 is a rear elevational view thereof.  
FIG. 5 is a left side elevational view thereof;  
FIG. 6 is a right side elevational view thereof;  
FIG. 7 is a top plan view thereof; and,  
FIG. 8 is a bottom plan view thereof.  
The broken lines shown on the drawings depict portions of  
the ground lamp that form no part of the claimed design.

**1 Claim, 8 Drawing Sheets**



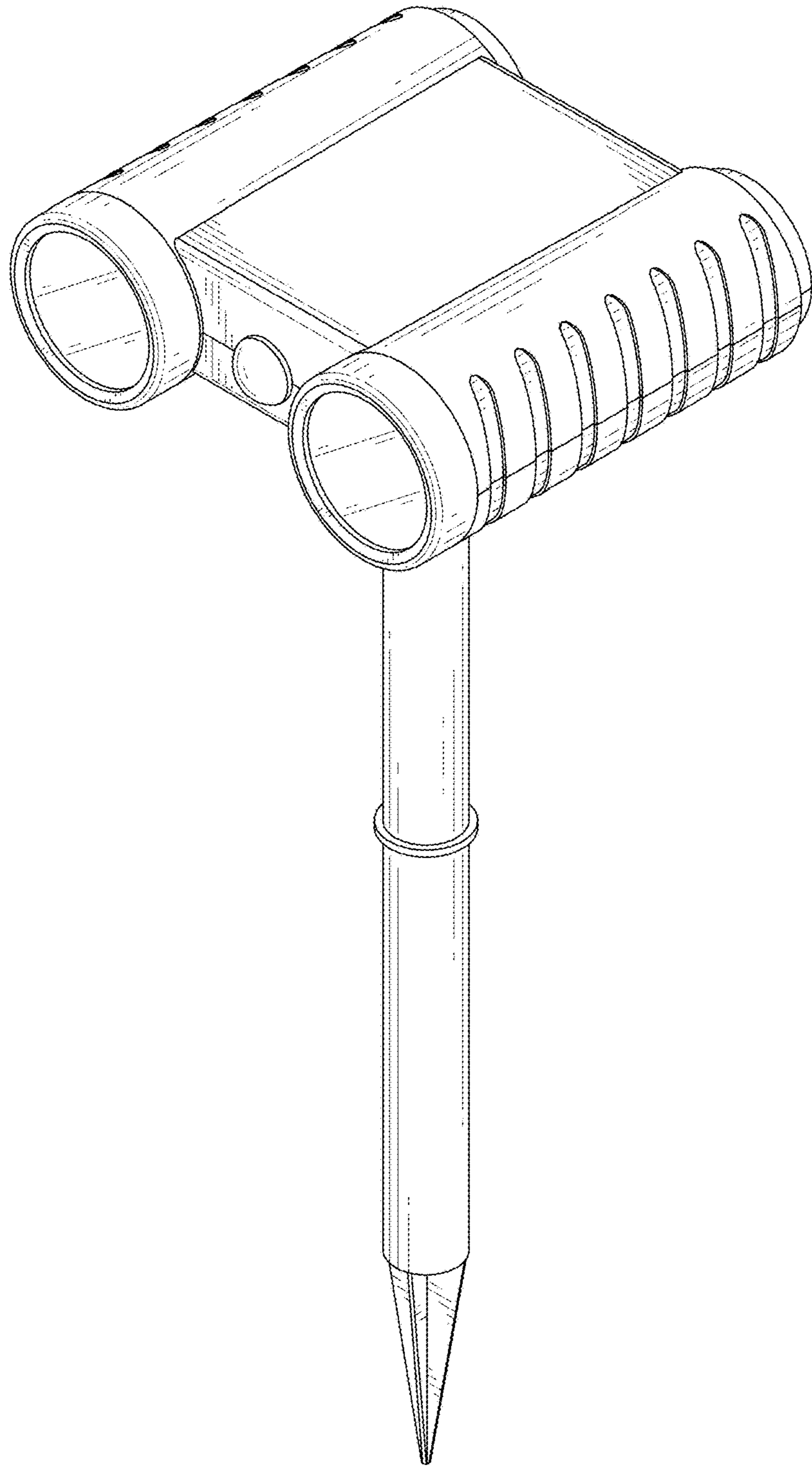


FIG. 1

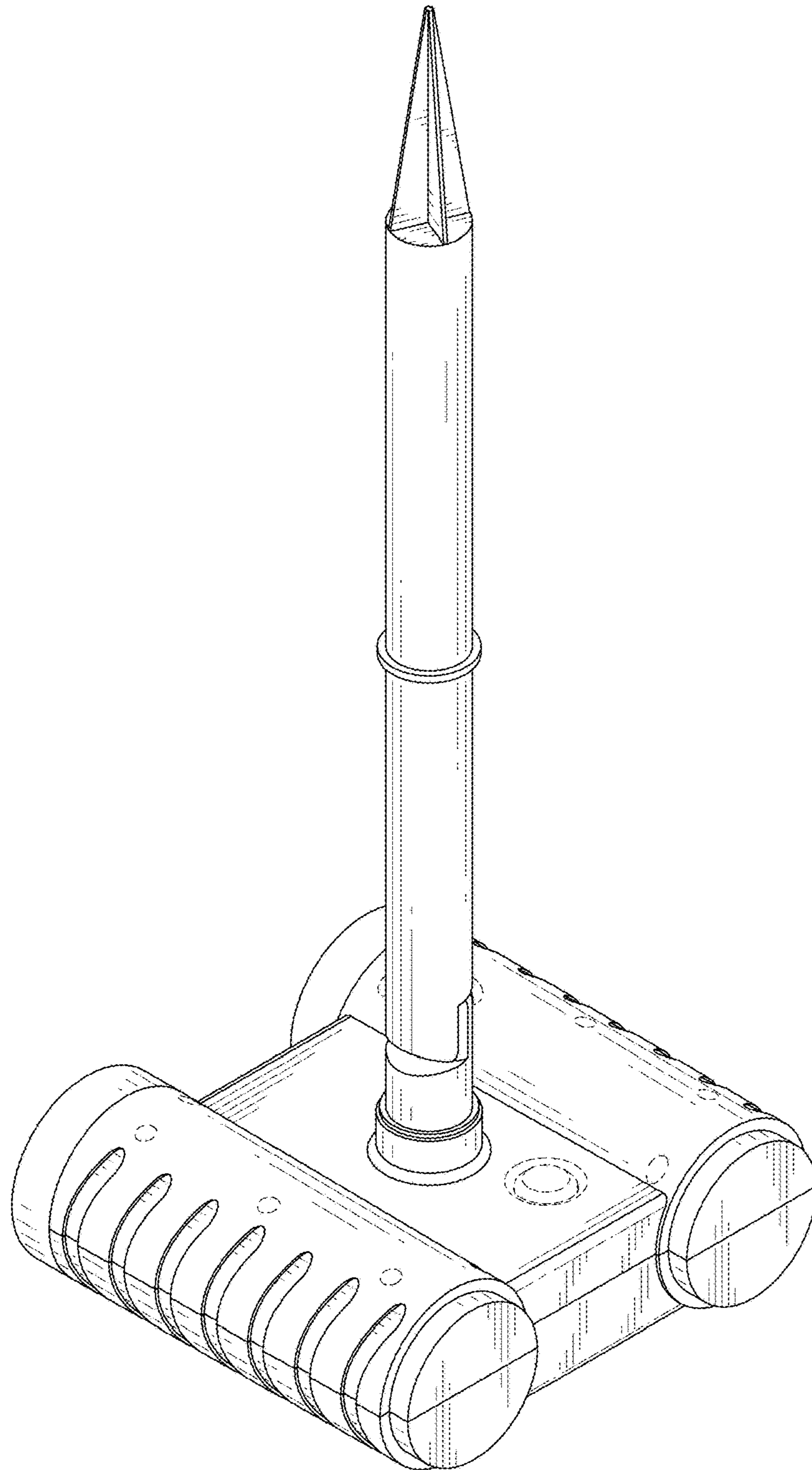


FIG. 2

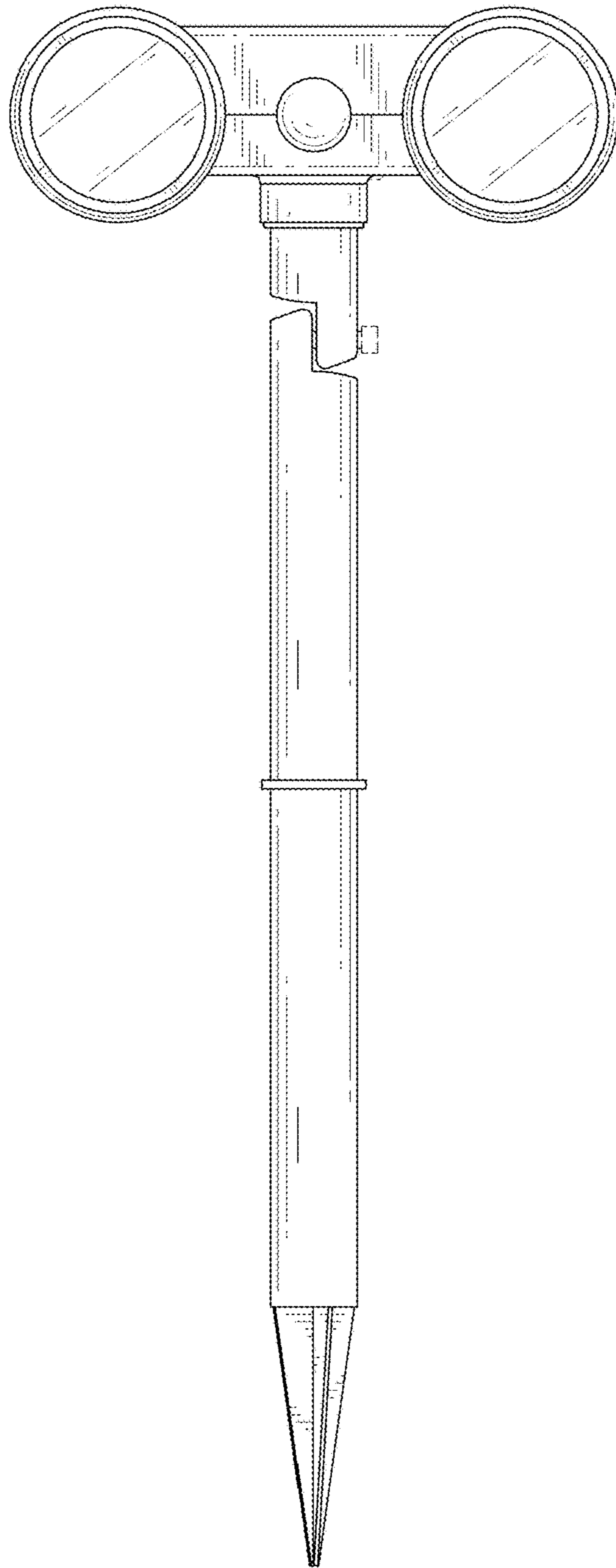


FIG. 3

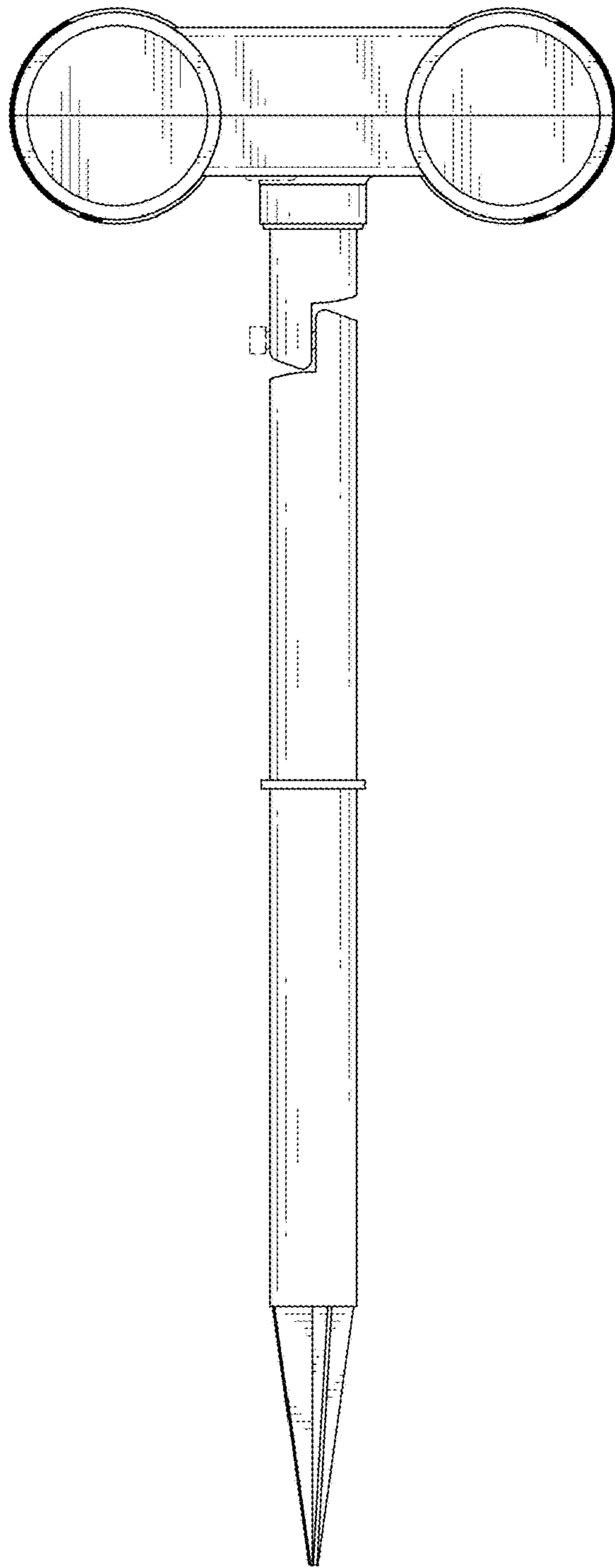


FIG. 4

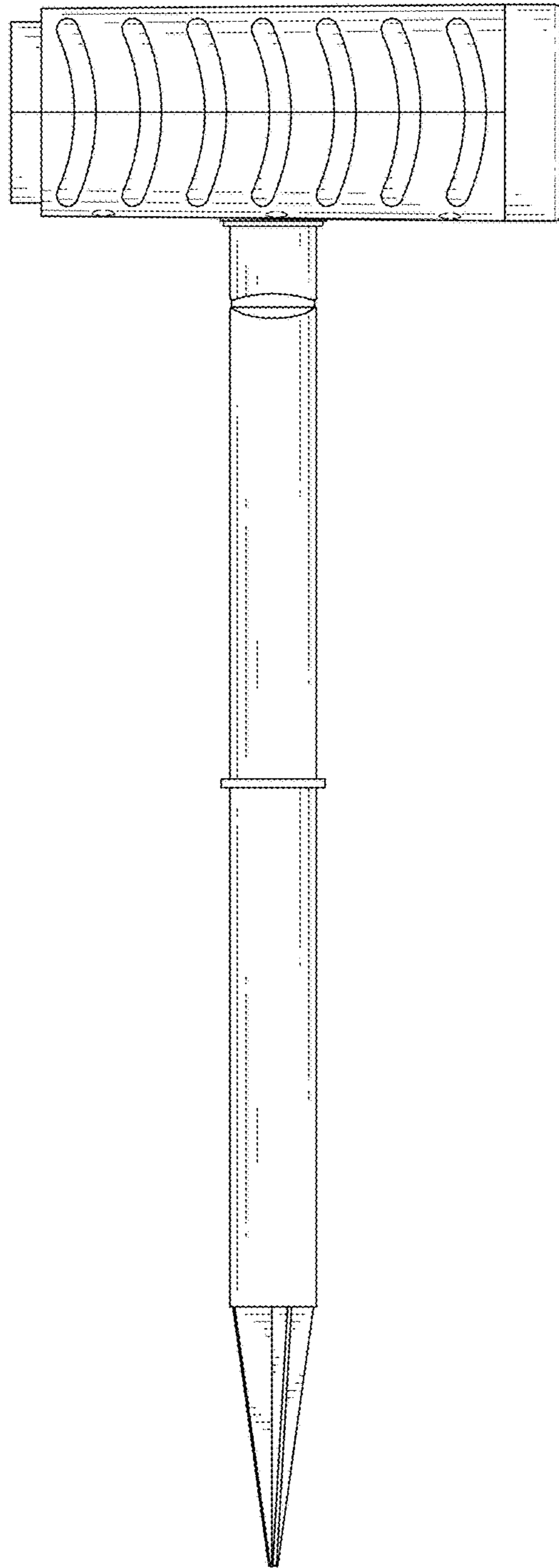


FIG. 5

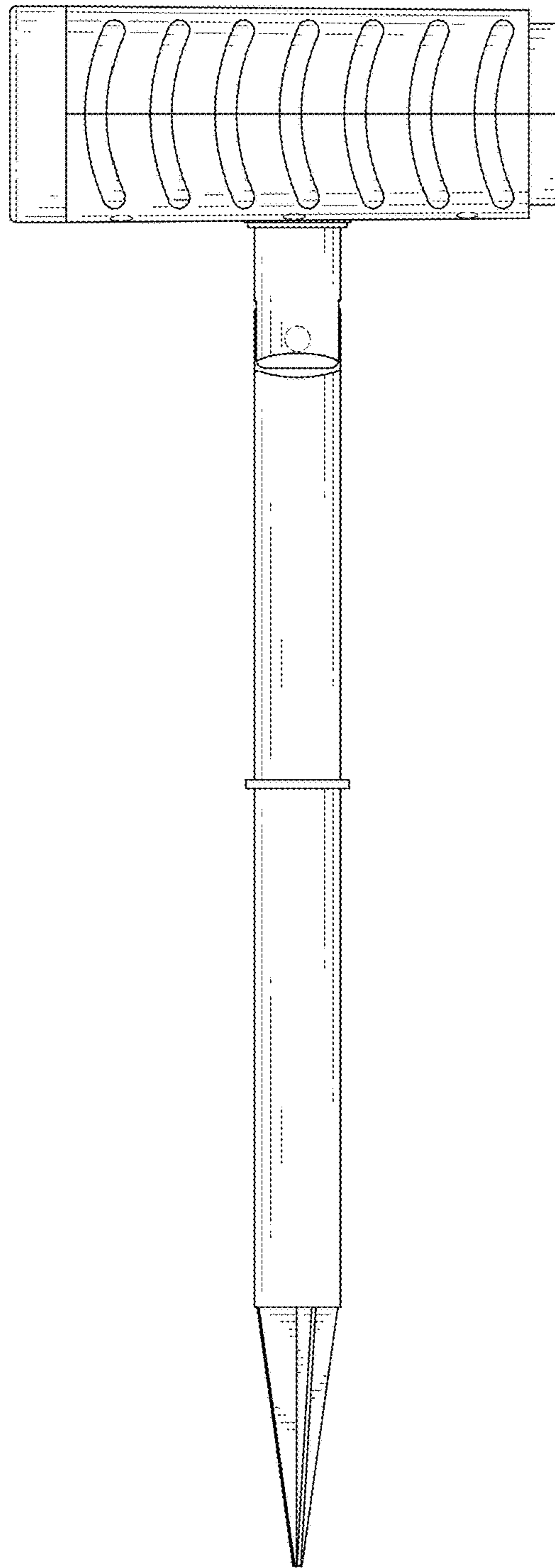


FIG. 6

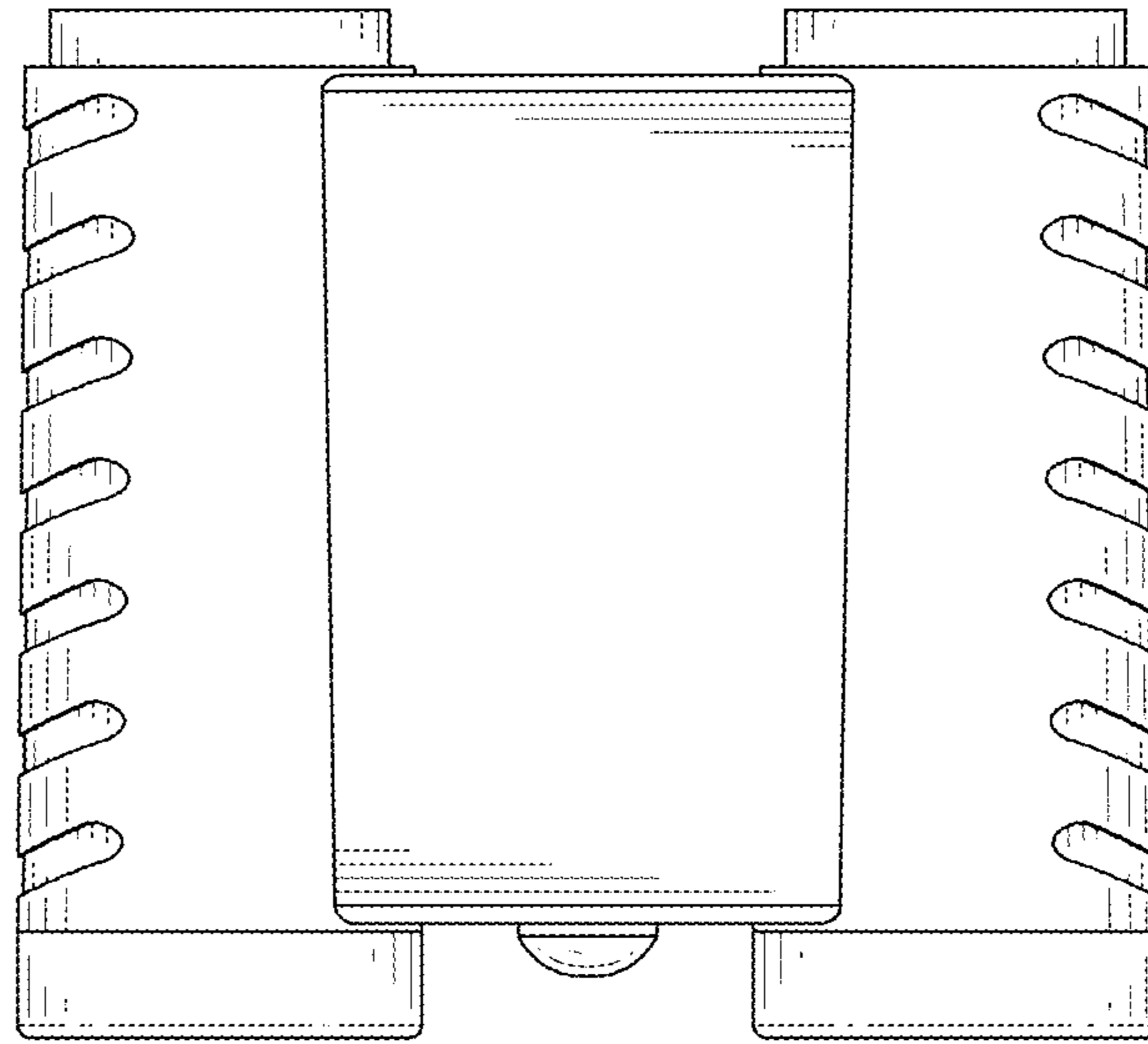


FIG. 7



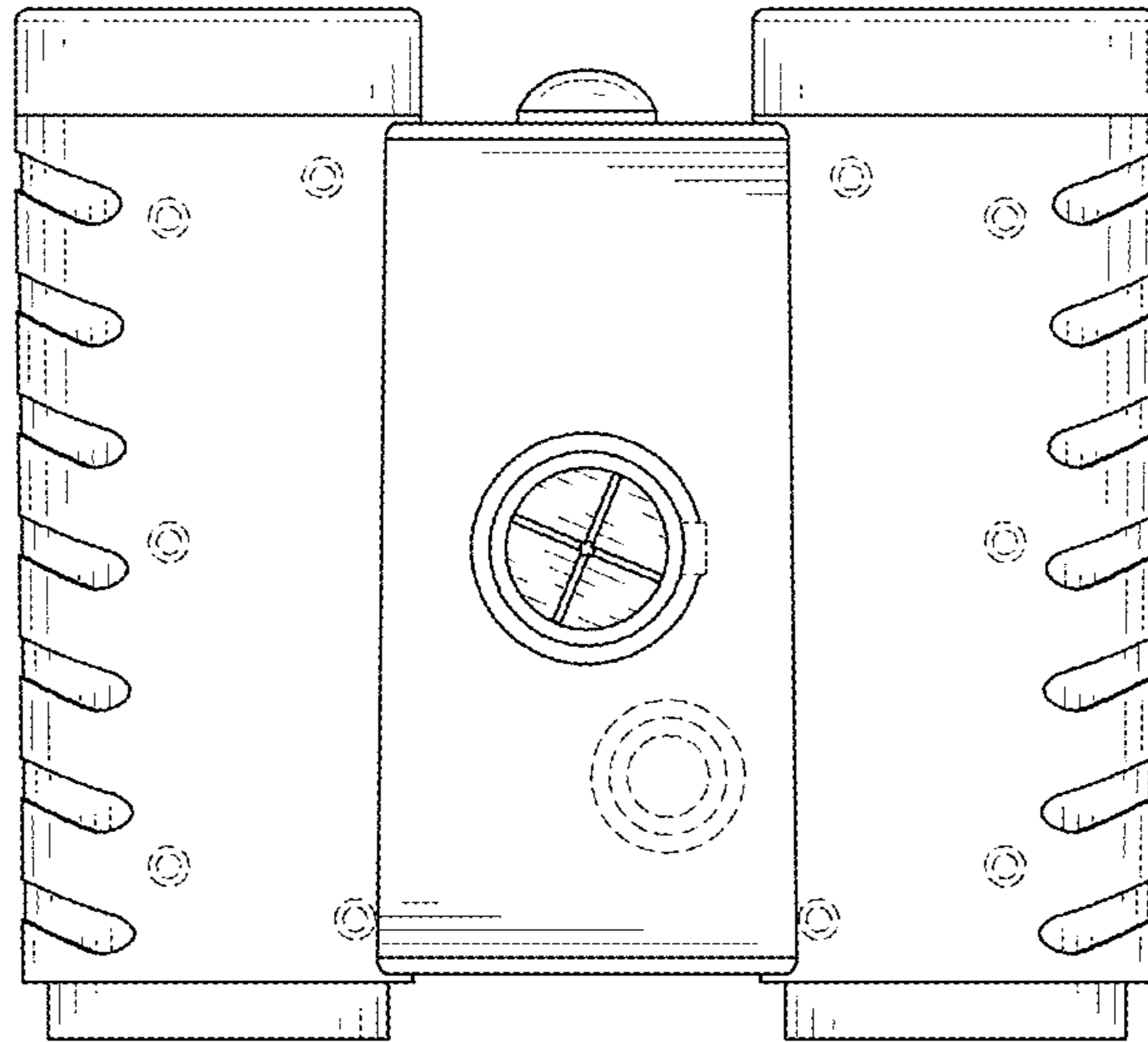


FIG. 8