



US00D838023S

(12) **United States Design Patent**
Ralph

(10) **Patent No.:** **US D838,023 S**

(45) **Date of Patent:** **** *Jan. 8, 2019**

(54) **PORTABLE LAMP**

(71) Applicant: **Jean-Baptiste Ralph**, Montreal (CA)

(72) Inventor: **Jean-Baptiste Ralph**, Montreal (CA)

(*) Notice: This patent is subject to a terminal disclaimer.

(**) Term: **15 Years**

(21) Appl. No.: **29/505,869**

(22) Filed: **Mar. 15, 2016**

(51) **LOC (11) Cl.** **26-02**

(52) **U.S. Cl.**
USPC **D26/40**

(58) **Field of Classification Search**
USPC D26/37, 38, 40, 41, 42, 46, 50, 51, 71,
D26/72

CPC F21L 2003/00; F21L 4/00; F21L 4/005;
F21L 4/02; F21L 4/025; F21L 4/027;
F21L 4/04; F21L 4/08; F21L 2005/00;
F21L 7/00; F21L 11/00; F21L 13/00;
F21L 13/04; F21L 13/08; F21L 14/02;
F21L 17/00; F21L 19/00

See application file for complete search history.

(56) **References Cited**

U.S. PATENT DOCUMENTS

D87,543 S * 8/1932 Recker D26/41
D427,352 S * 6/2000 Miranda D26/67

D483,138 S * 12/2003 Chen D26/67
D496,119 S * 9/2004 Bucher D26/67
D497,226 S * 10/2004 Nauert 119/57.9
D500,161 S * 12/2004 Bucher D26/67
D531,340 S * 10/2006 Victor D26/67
D550,389 S * 9/2007 Shih D26/67
D619,293 S * 7/2010 Boissevain D26/71
D643,959 S * 8/2011 Hemby D26/71

* cited by examiner

Primary Examiner — Lakiya Rogers

Assistant Examiner — Carissa C Fitts

(57) **CLAIM**

The ornamental design for a “portable lamp,” as shown and described.

DESCRIPTION

FIG. 1 is a top perspective view of the portable lamp in accordance with the design;

FIG. 2 is a bottom perspective view thereof;

FIG. 3 is a side elevational view thereof;

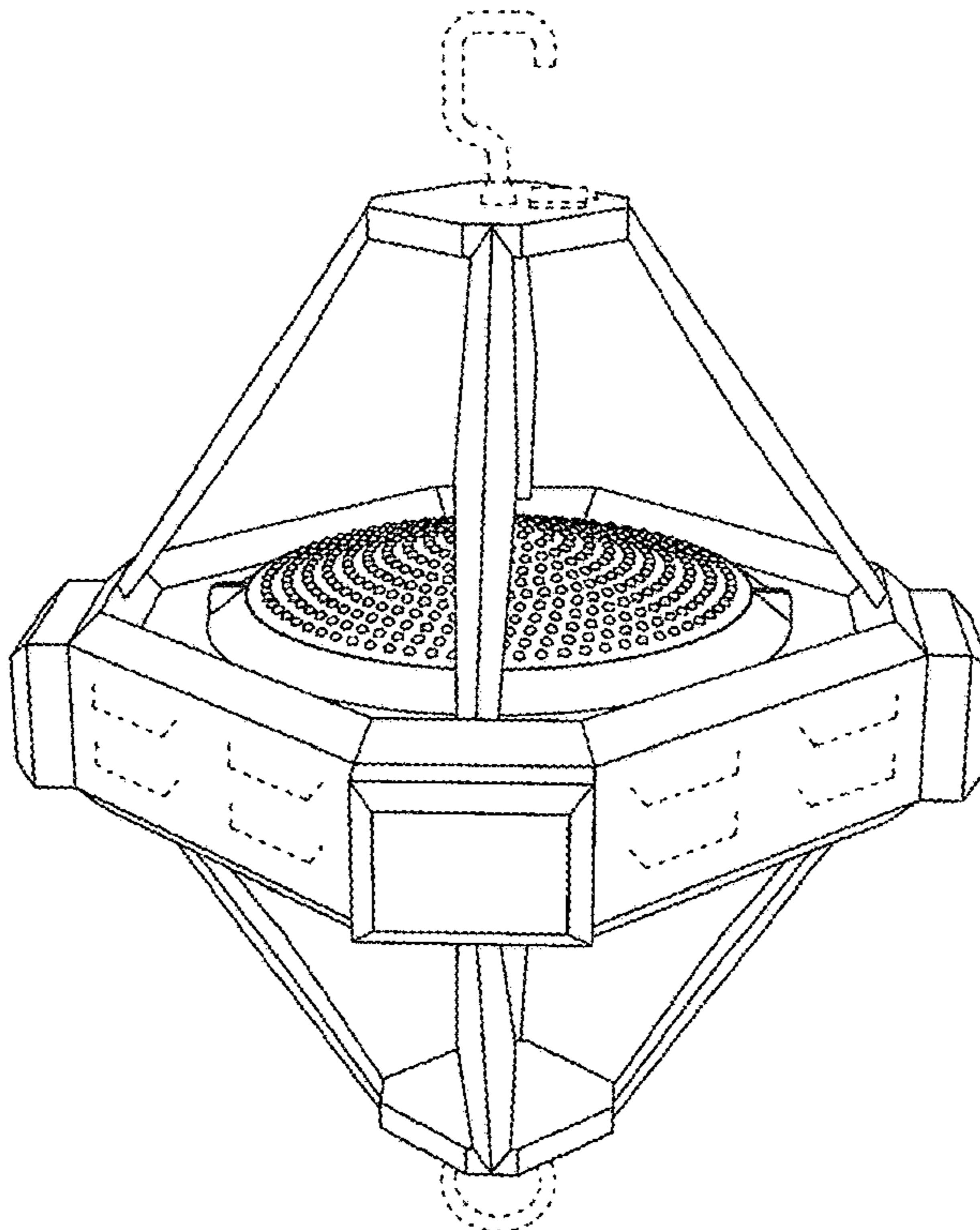
FIG. 4 is another side elevational view thereof that is taken from the right of the view in FIG. 3;

FIG. 5 is a top plan view thereof; and,

FIG. 6 is a bottom plan view thereof.

The broken lines show portions of the article not claimed and form no part of the claimed design.

1 Claim, 3 Drawing Sheets



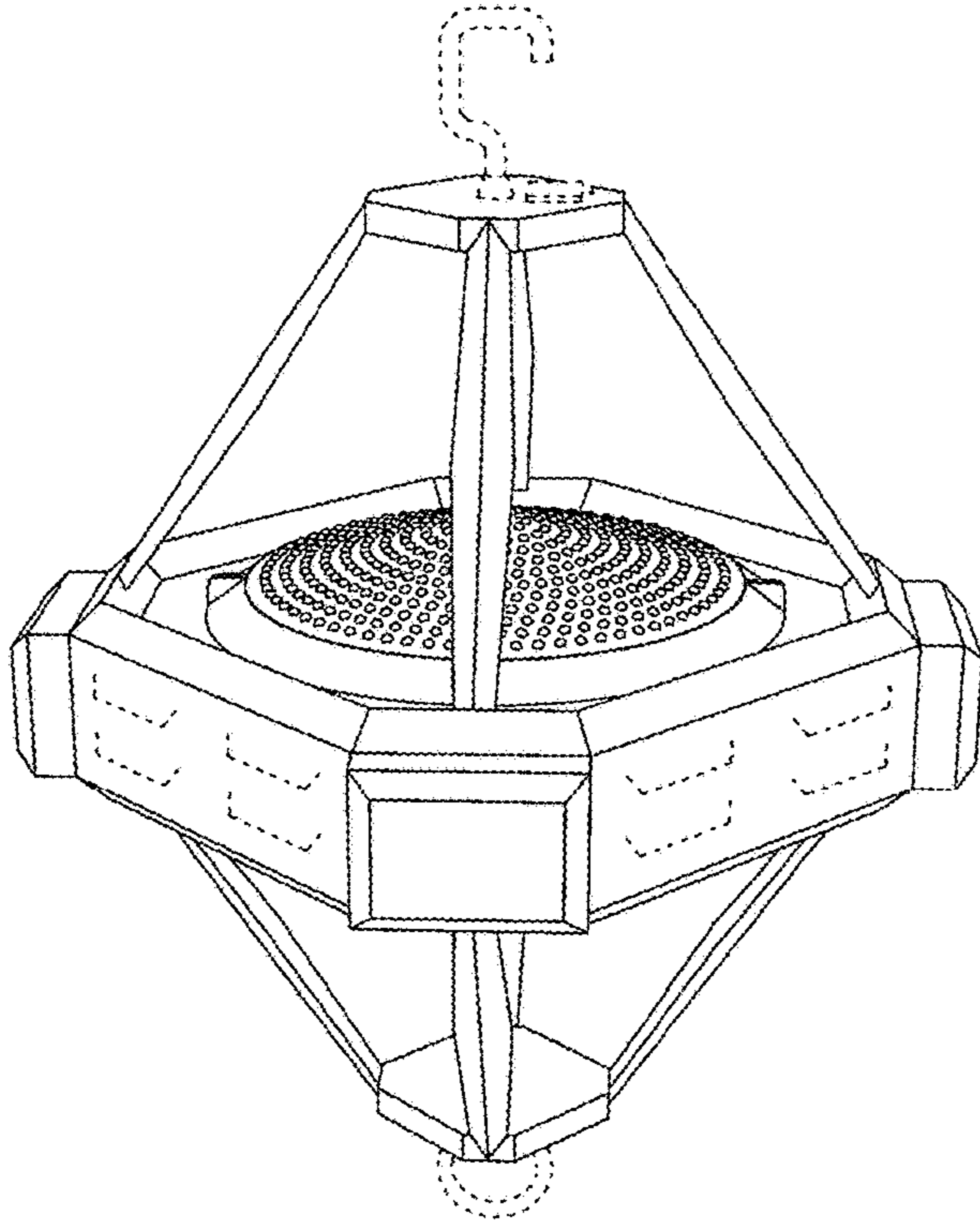


FIG. 1

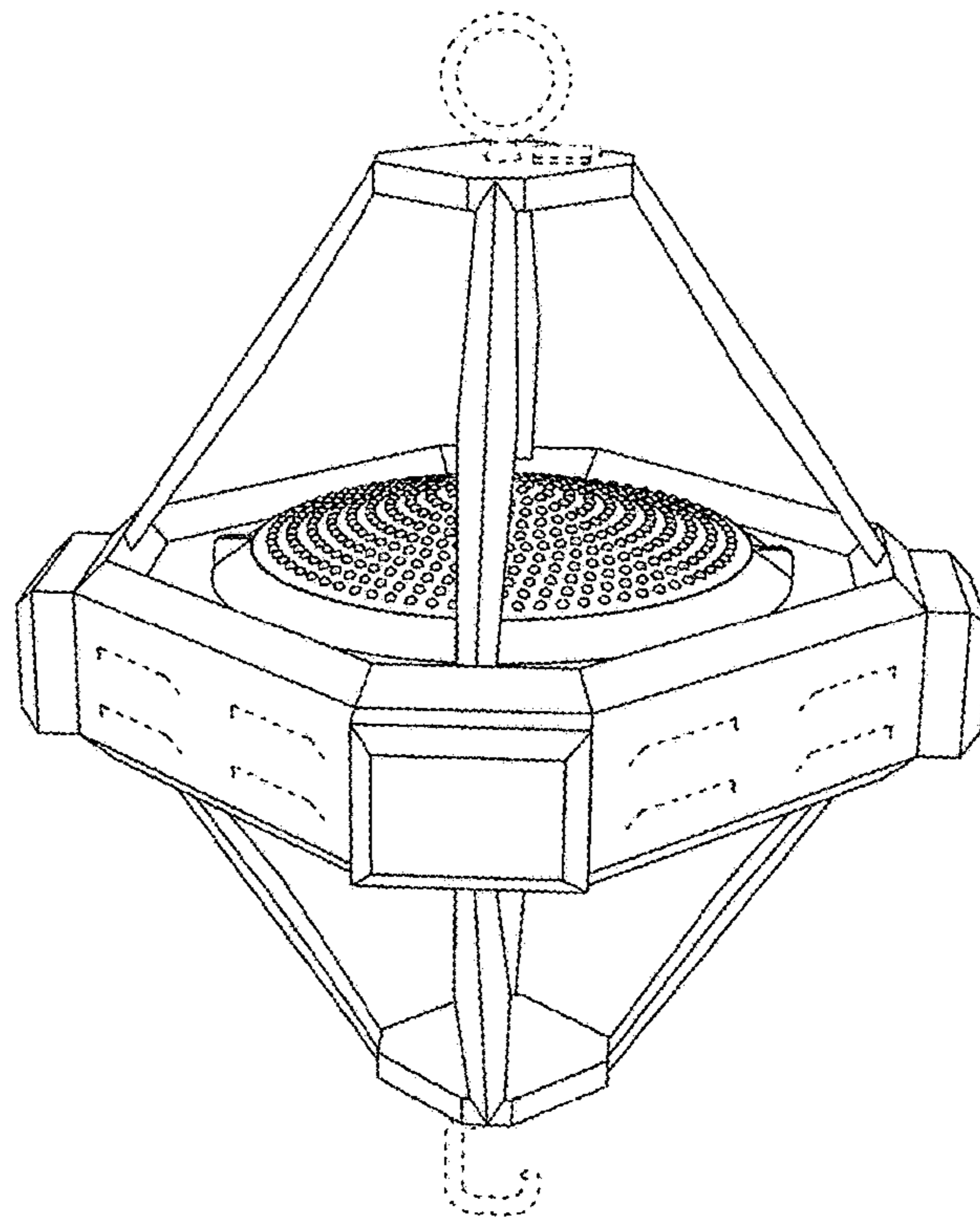


FIG. 2

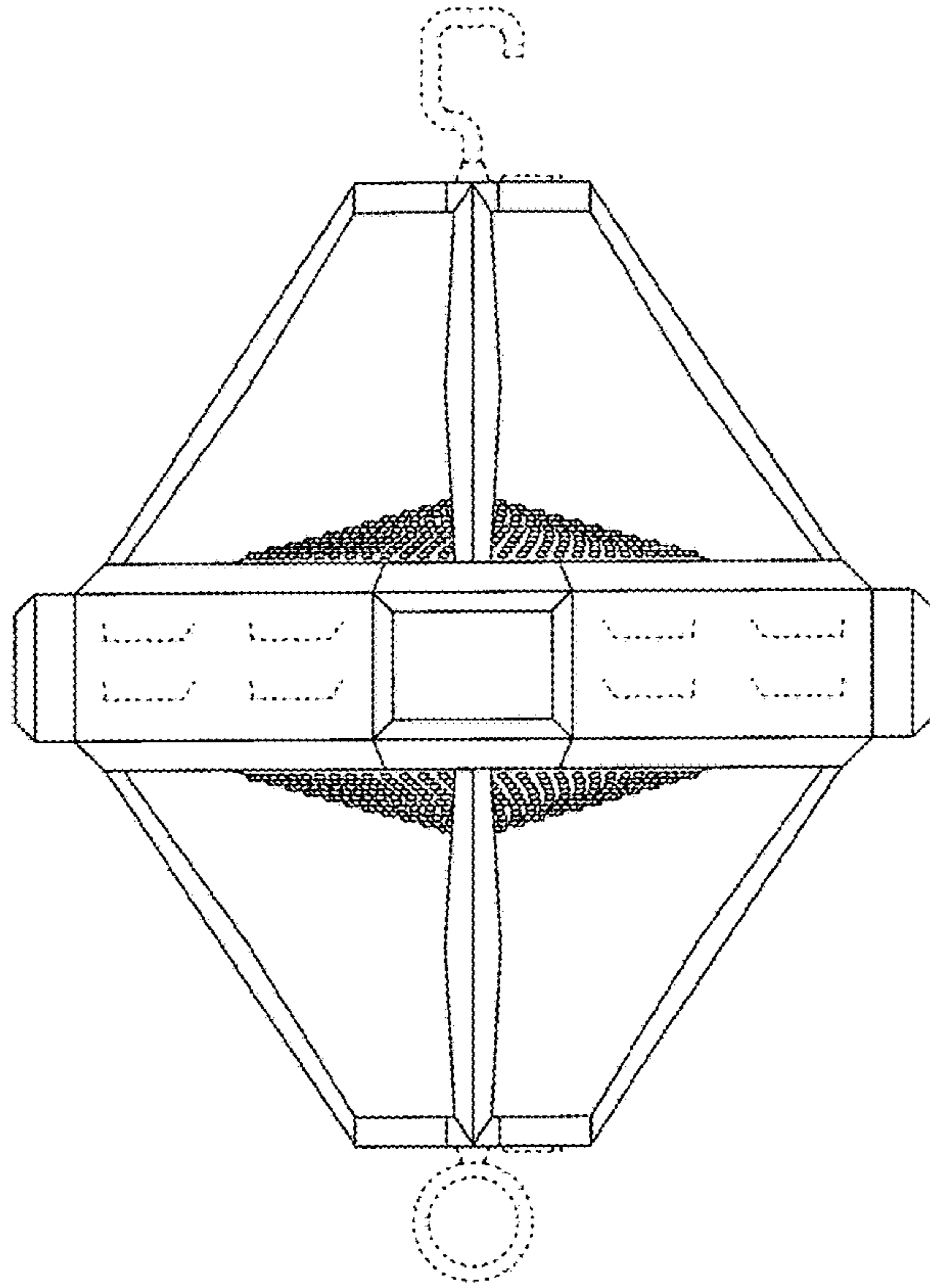


FIG. 3

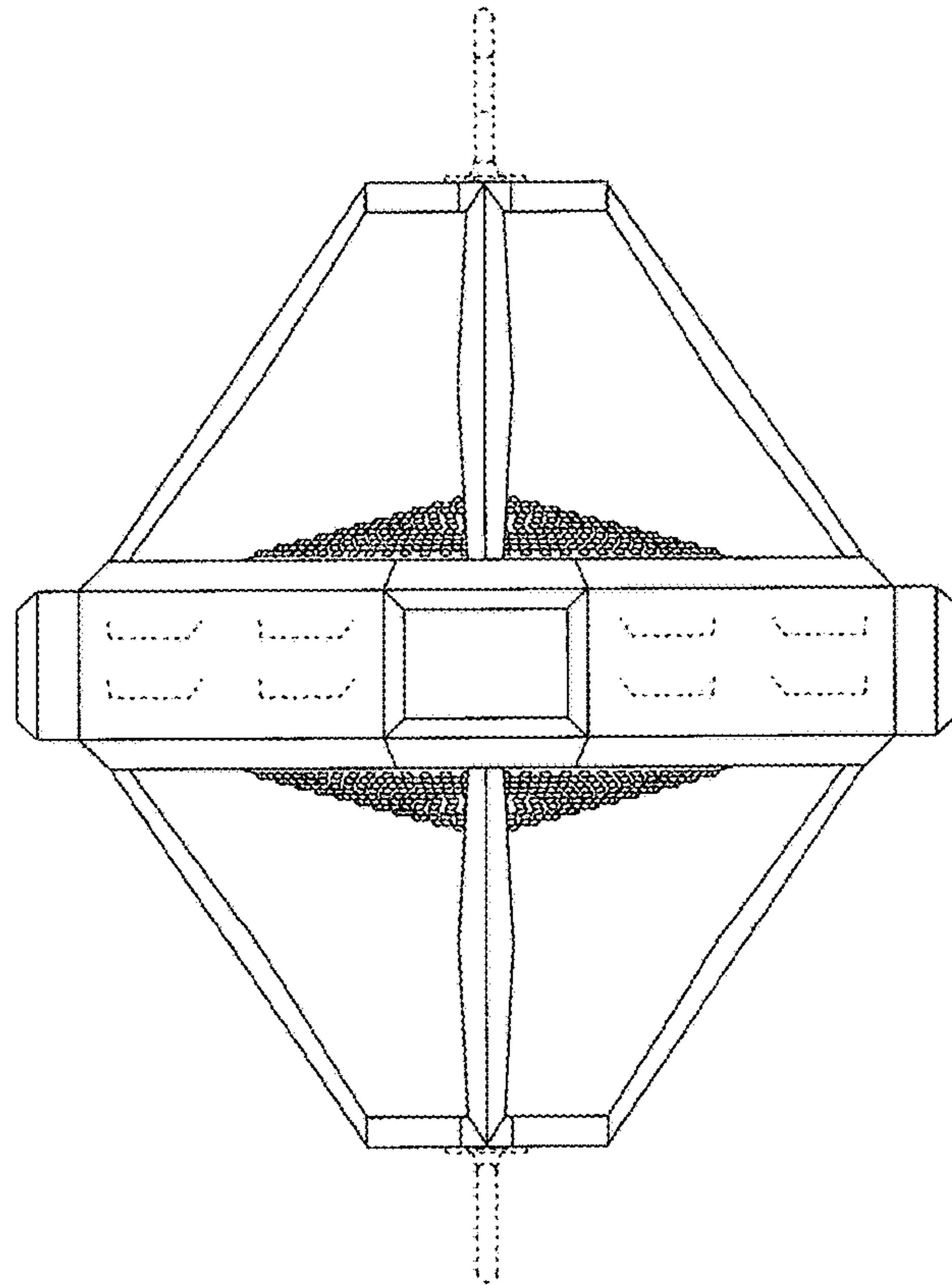


FIG. 4

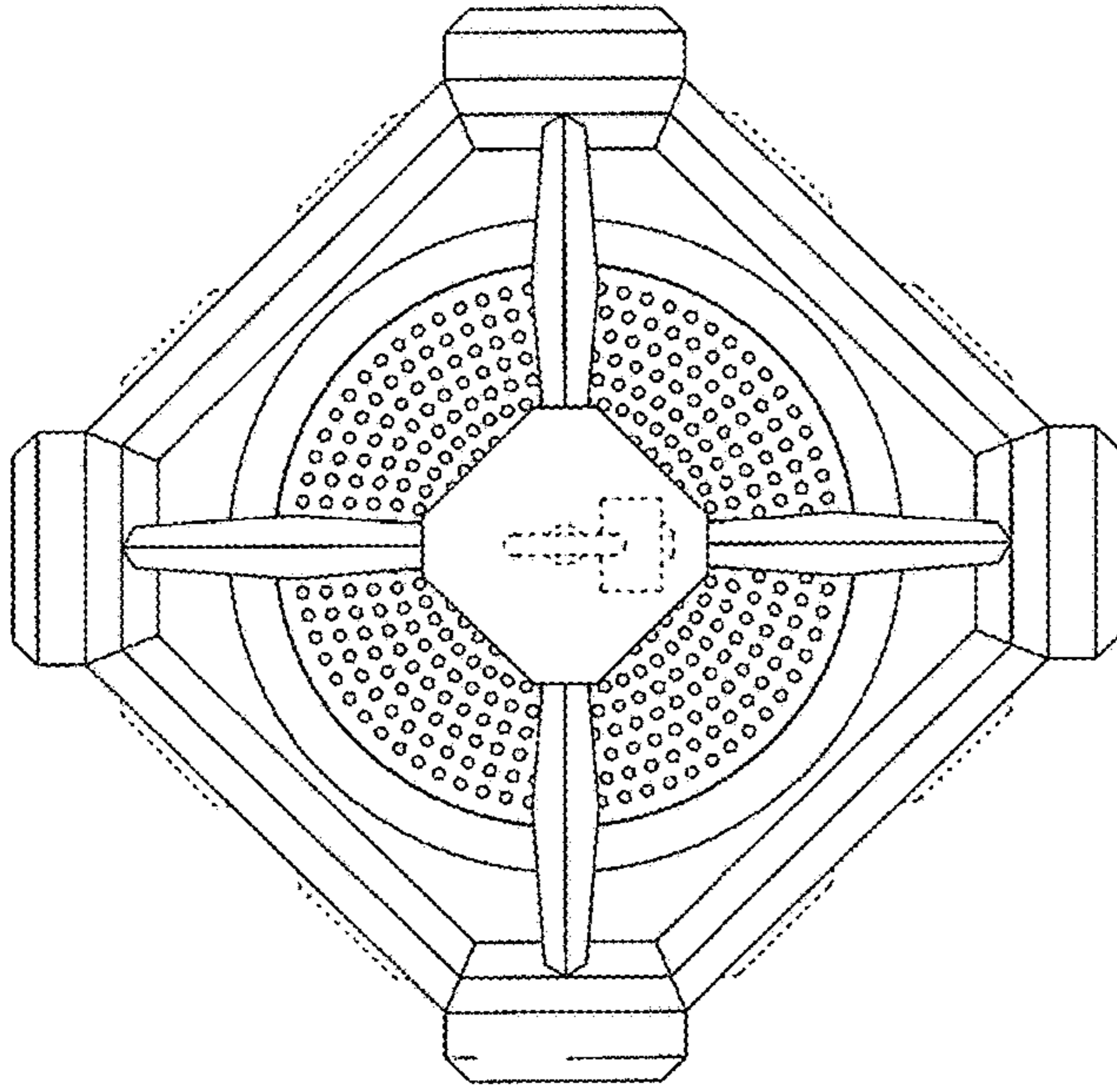


FIG. 5

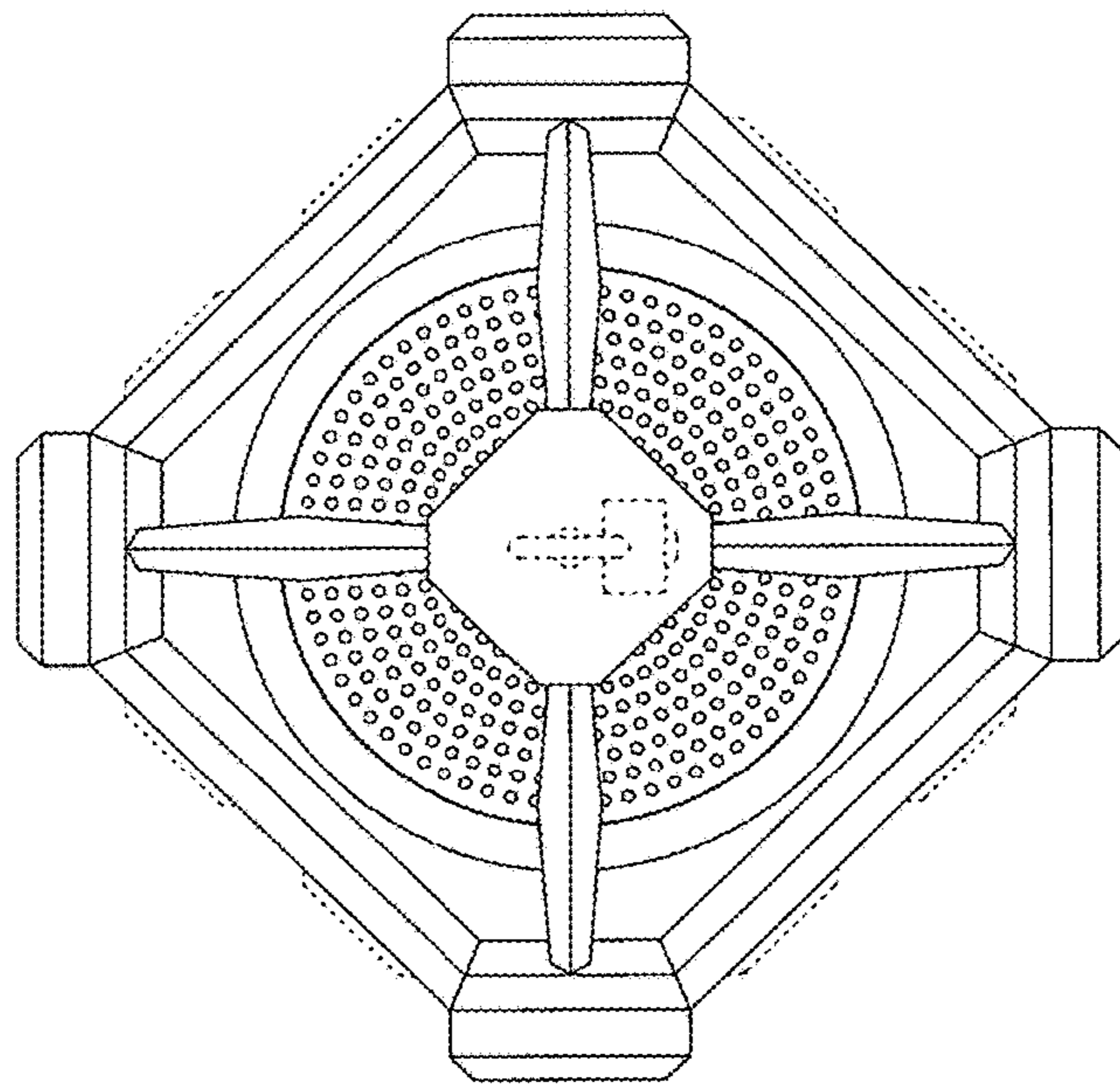


FIG. 6