



US00D838021S

(12) **United States Design Patent** (10) **Patent No.:** **US D838,021 S**
Chi (45) **Date of Patent:** **** Jan. 8, 2019**

- (54) **TAILLIGHT FOR VEHICLE**
- (71) Applicant: **Razer Auto, Inc.**, Upland, CA (US)
- (72) Inventor: **Samuel Chi**, Upland, CA (US)
- (73) Assignee: **Razer Auto, Inc.**, Upland, CA (US)
- (**) Term: **15 Years**
- (21) Appl. No.: **29/644,393**
- (22) Filed: **Apr. 17, 2018**

D586,012 S	2/2009	Lin	
D625,034 S	10/2010	Metzger	
D632,814 S	2/2011	Chang	
D641,507 S	7/2011	Hu	
D643,559 S	8/2011	Seymour	
D643,955 S	8/2011	Tsai	
D673,701 S	1/2013	Davies	
D715,469 S	10/2014	Chou	
D760,406 S *	6/2016	Huang	D26/28
D788,958 S *	6/2017	Ko	D26/28
D793,592 S *	8/2017	Chen	D26/28
D796,095 S *	8/2017	Huang	D26/28
D798,475 S *	9/2017	Georgitsis	D26/28
D803,429 S *	11/2017	Martin	D26/28
D809,167 S *	1/2018	Chi	D26/28
D815,325 S *	4/2018	Chi	D26/31

Related U.S. Application Data

- (63) Continuation of application No. 29/629,939, filed on Dec. 18, 2017.
- (51) **LOC (11) Cl.** **26-07**
- (52) **U.S. Cl.**
USPC **D26/28**
- (58) **Field of Classification Search**
USPC D26/28, 29, 30, 31, 32, 33, 34, 35, 36;
362/459-468, 475-478, 485-487
CPC F21S 48/00; F21S 48/10; F21S 48/115;
F21S 48/225; F21S 48/1233; F21S
48/1266; F21S 48/1388; F21S 48/2268;
F21V 21/04
See application file for complete search history.

* cited by examiner

Primary Examiner — Angela J Lee
 (74) *Attorney, Agent, or Firm* — Eric Kelly

(57) **CLAIM**

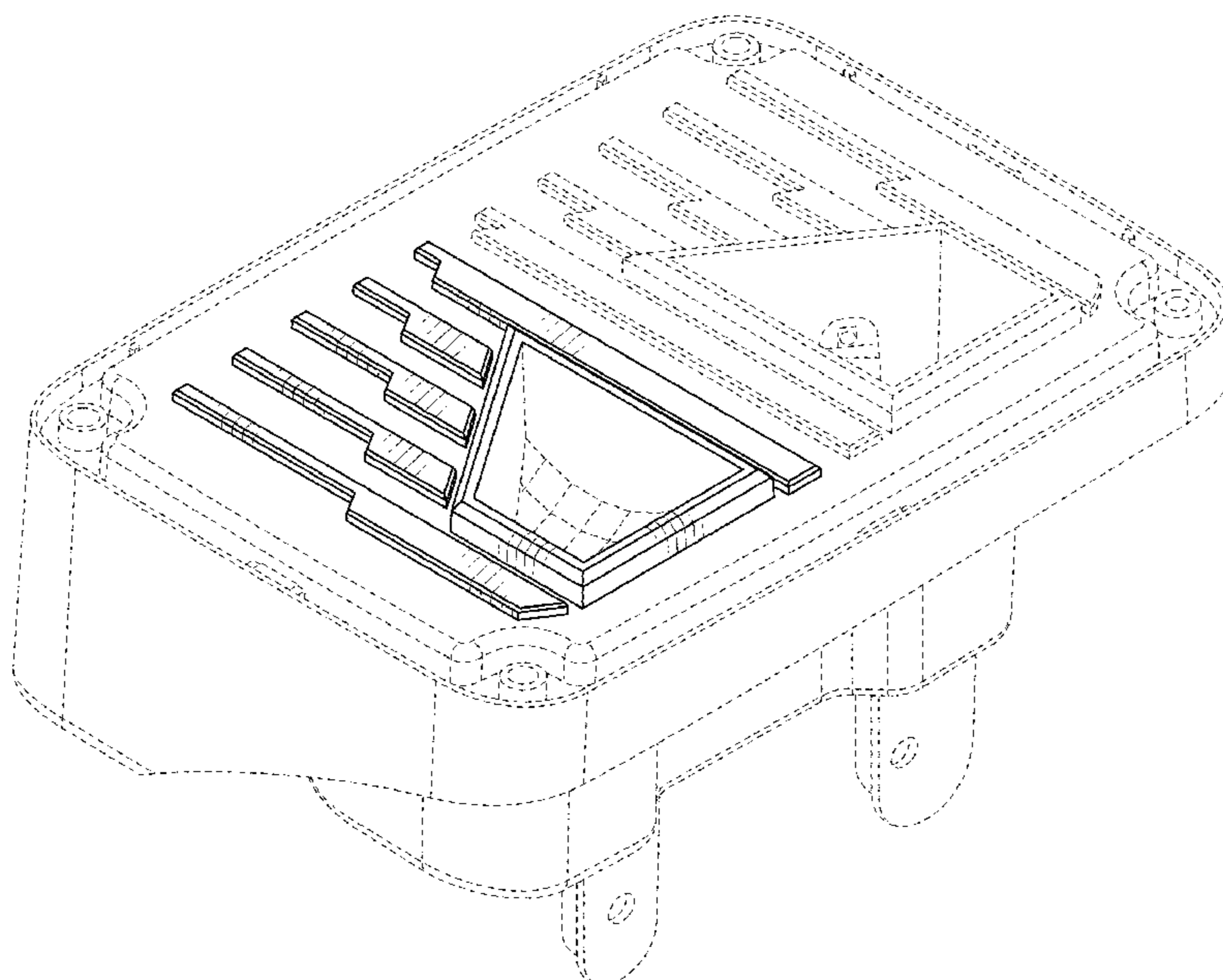
The ornamental design for a taillight for vehicle, as shown and described.

DESCRIPTION

FIG. 1 illustrates a perspective view of a new and ornamental taillight for vehicle, according to one embodiment; FIG. 2 illustrates a front view thereof; FIG. 3 illustrates a back view thereof; FIG. 4 illustrates a right-side view thereof; FIG. 5 illustrates a left-side view thereof; FIG. 6 illustrates a top view thereof; and, FIG. 7 illustrates a bottom view thereof. The broken lines in the figures depict portions of the taillight for vehicle that form no part of the claimed design.

1 Claim, 7 Drawing Sheets

- (56) **References Cited**
U.S. PATENT DOCUMENTS
- | | | |
|------------|---------|------------|
| D436,194 S | 1/2001 | Reinbach |
| D441,678 S | 5/2001 | Lyons |
| D489,466 S | 5/2004 | Dohogne |
| D530,437 S | 10/2006 | Neufeglise |
| D579,590 S | 10/2008 | Lassen |



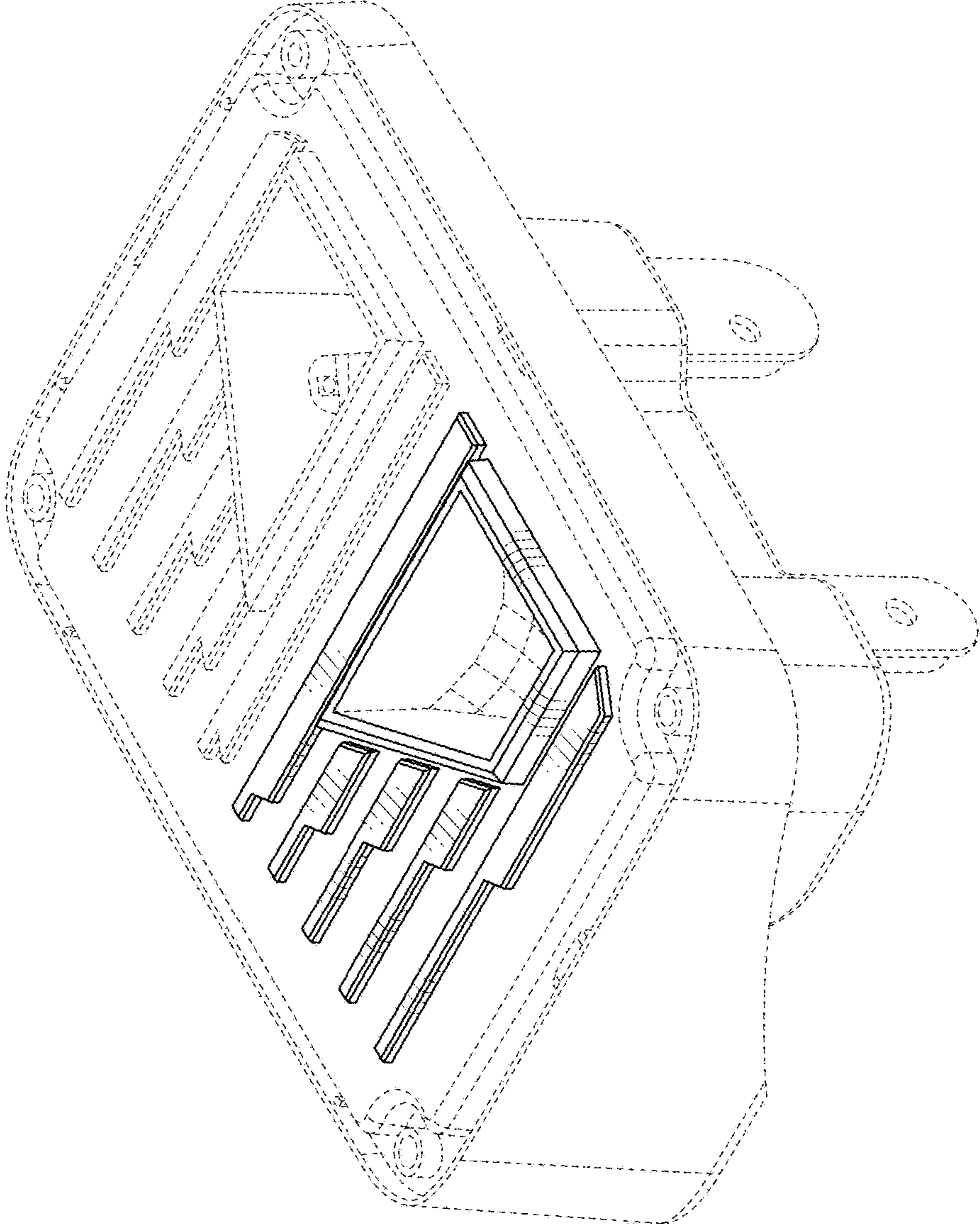


FIG. 1

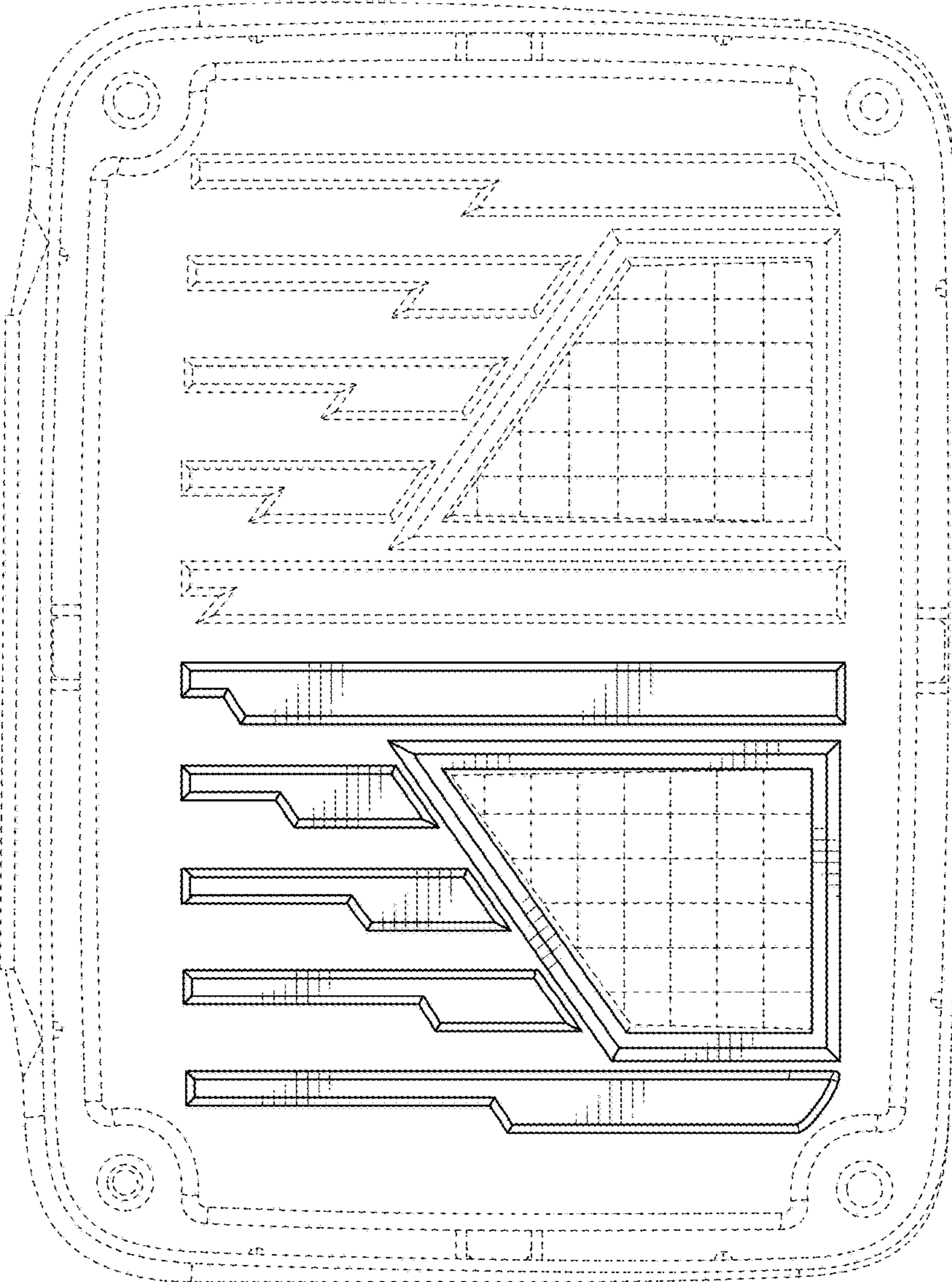


FIG. 2

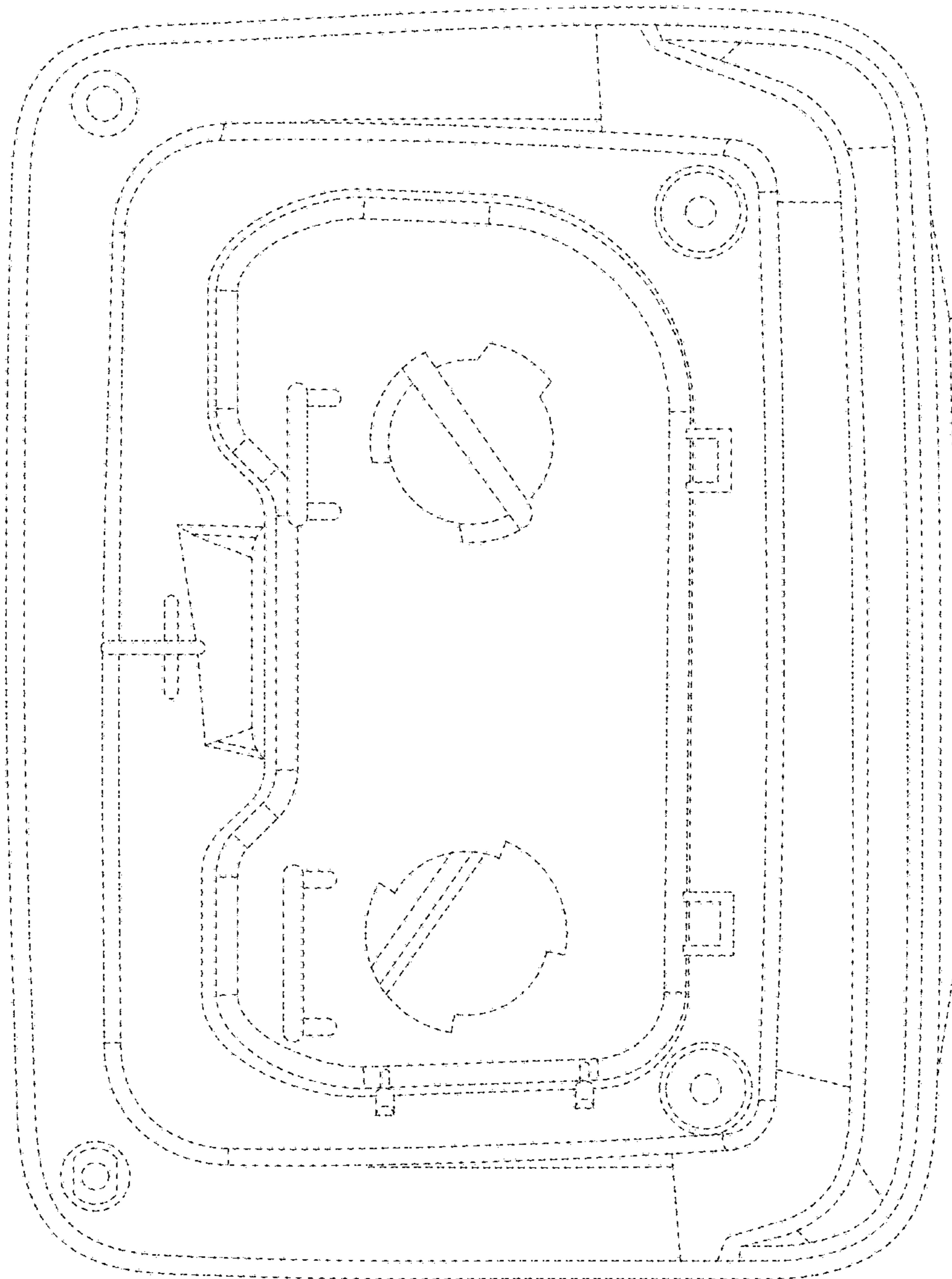


FIG. 3

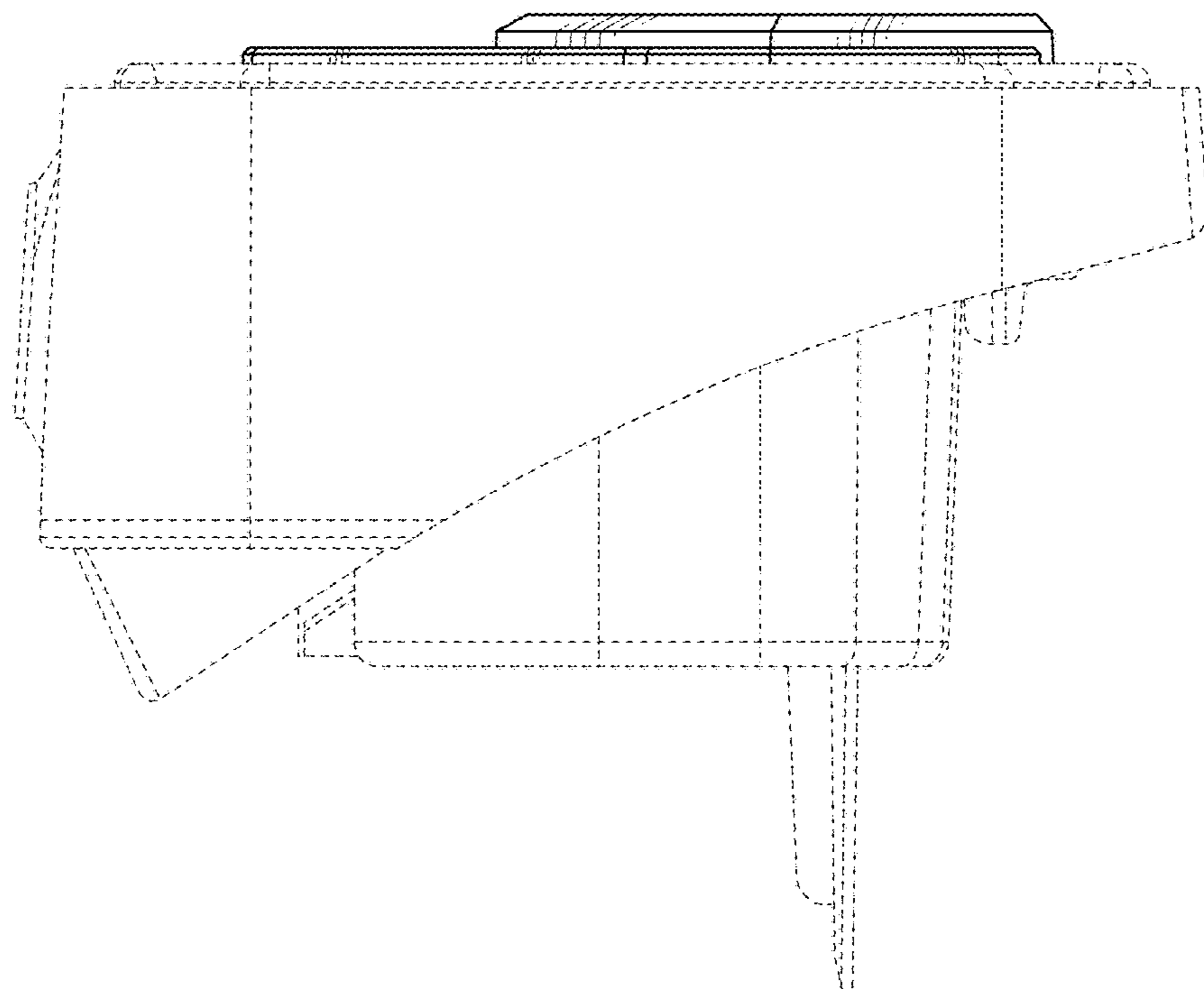


FIG. 4

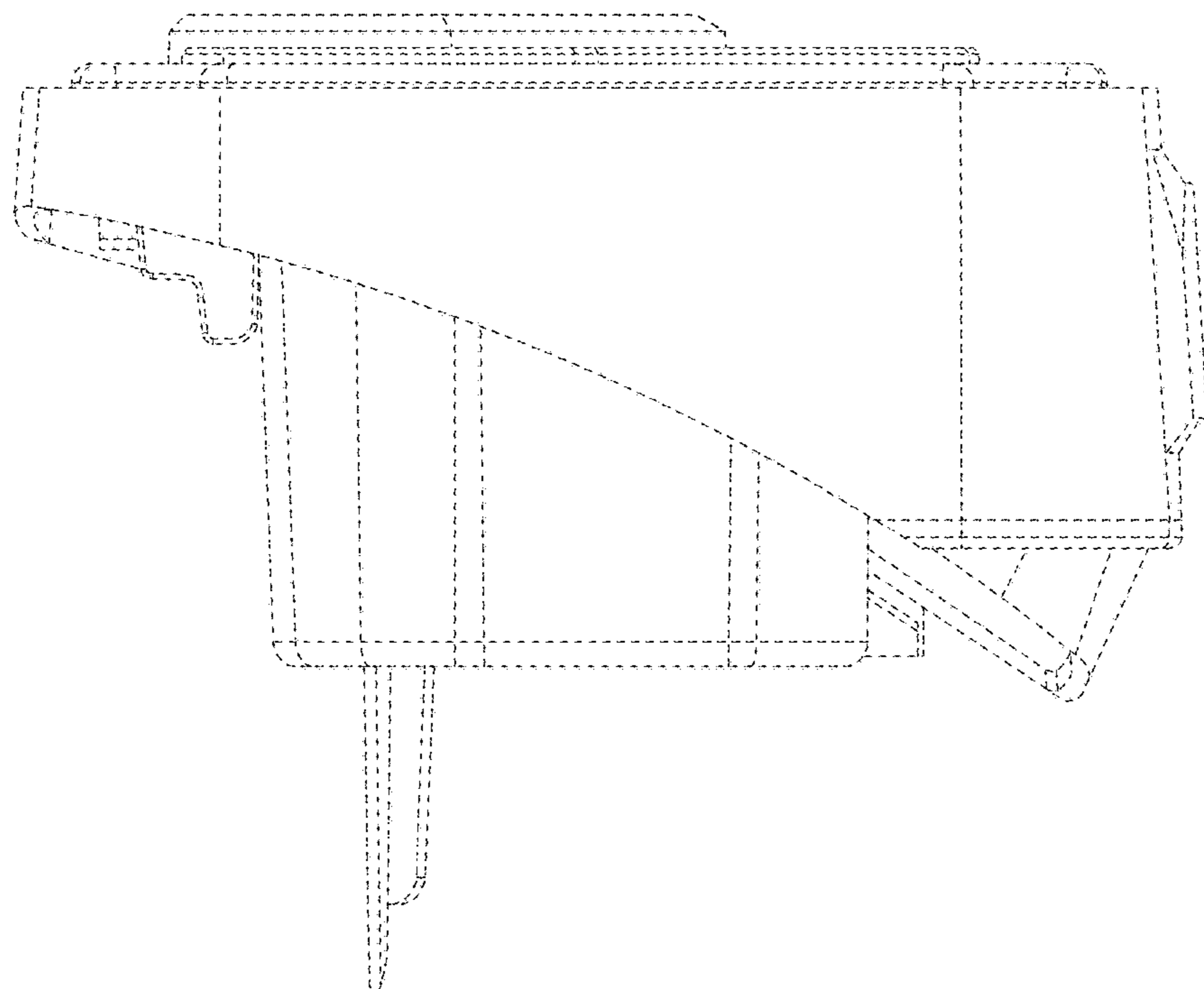


FIG. 5

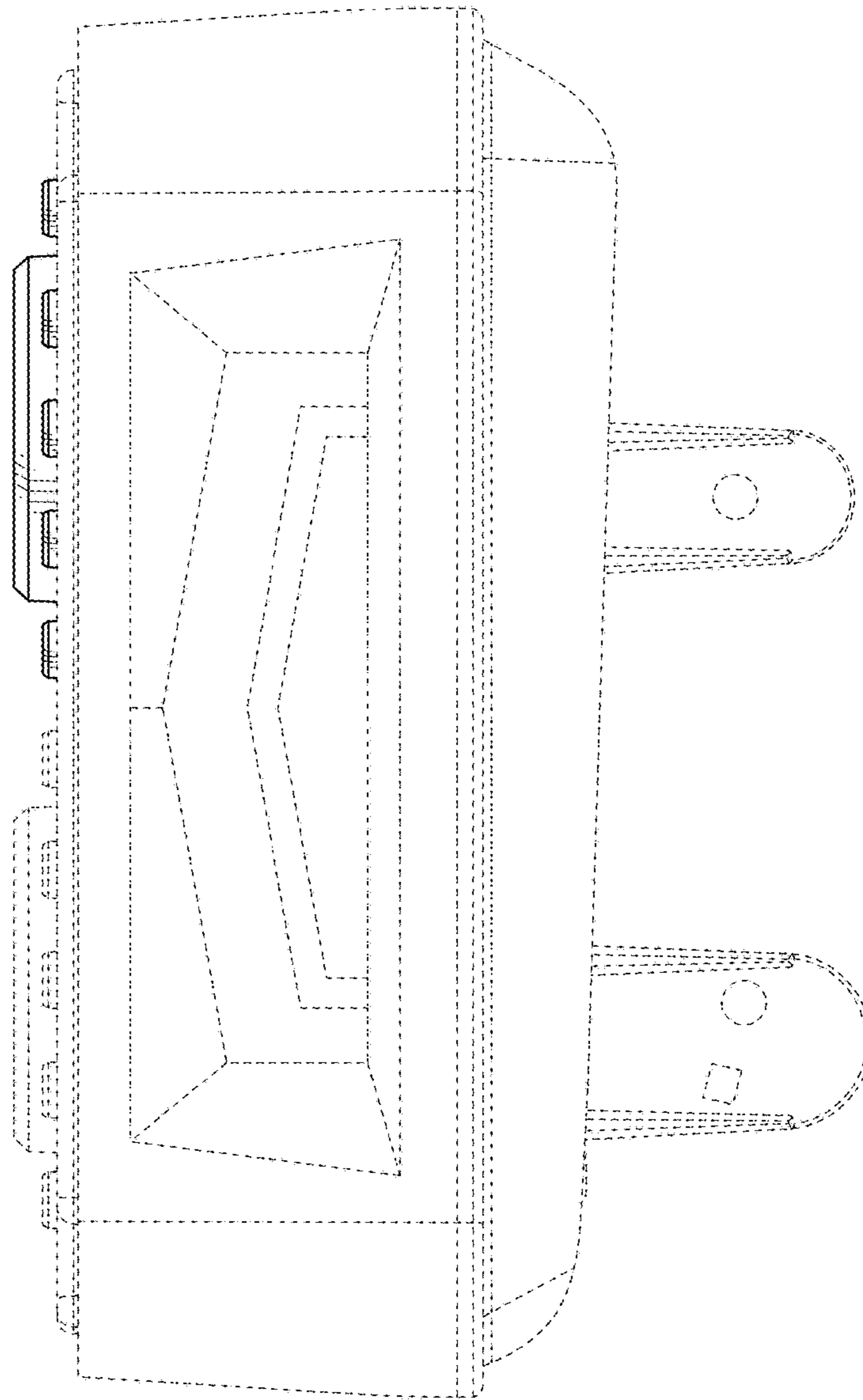


FIG. 6

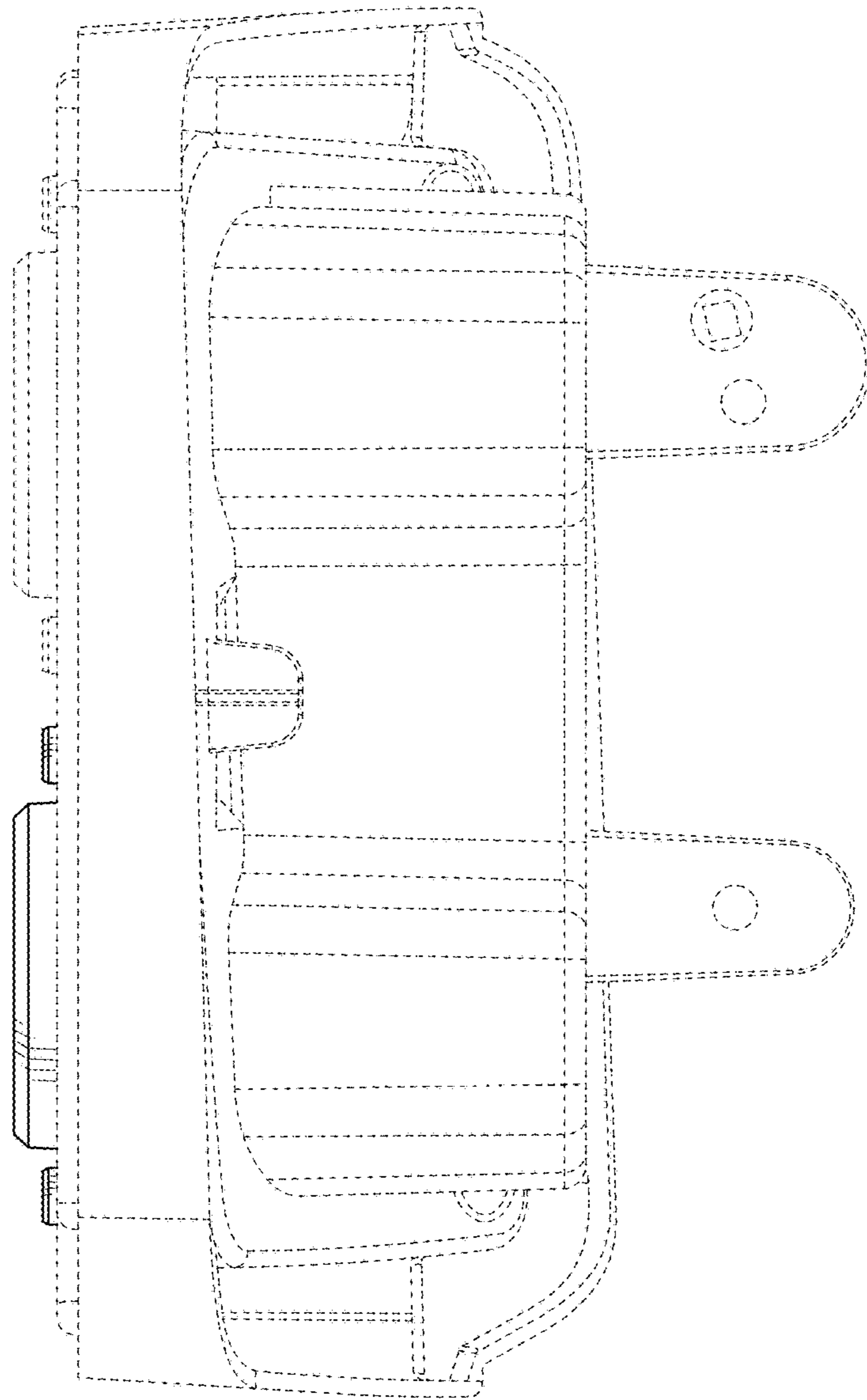


FIG. 7