



US00D838018S

(12) **United States Design Patent**  
**Nurnberger et al.**

(10) **Patent No.:** **US D838,018 S**  
(45) **Date of Patent:** **\*\* Jan. 8, 2019**

(54) **REAR LIGHT FOR AN AUTOMOBILE**

FOREIGN PATENT DOCUMENTS

(71) Applicant: **Aston Martin Lagonda Limited,**  
Warwick (GB)

DE 2727517 A1 12/1978  
DE 4321969 A1 2/1994

(Continued)

(72) Inventors: **Miles Nurnberger,** Warwick (GB);  
**Sam Holgate,** Warwick (GB)

OTHER PUBLICATIONS

(73) Assignee: **Aston Martin Lagonda Limited** (GB)

U.S. Appl. No. 29/542,940, filed Oct. 19, 2015, Kahn.

(Continued)

(\*\*) Term: **15 Years**

*Primary Examiner* — Marcus A Jackson

(21) Appl. No.: **29/589,621**

(74) *Attorney, Agent, or Firm* — Dorsey & Whitney LLP

(22) Filed: **Jan. 3, 2017**

(30) **Foreign Application Priority Data**

(57) **CLAIM**

Jul. 5, 2016 (EM) ..... 003295096-0001  
Jul. 5, 2016 (EM) ..... 003295096-0002

The ornamental design for a rear light for an automobile, as shown and described.

(51) **LOC (11) Cl.** ..... **26-06**

(52) **U.S. Cl.**  
USPC ..... **D26/28**

(58) **Field of Classification Search**

USPC ..... D26/28-36, 139  
CPC ..... B60Q 9/13; B60Q 9/135; B60Q 9/1375;  
F21S 48/00; F21S 48/115; F21S 48/225;  
F21S 48/1233; F21S 48/1266; F21S  
48/1388; F21S 48/2268; F21V 21/04  
See application file for complete search history.

**DESCRIPTION**

(56) **References Cited**

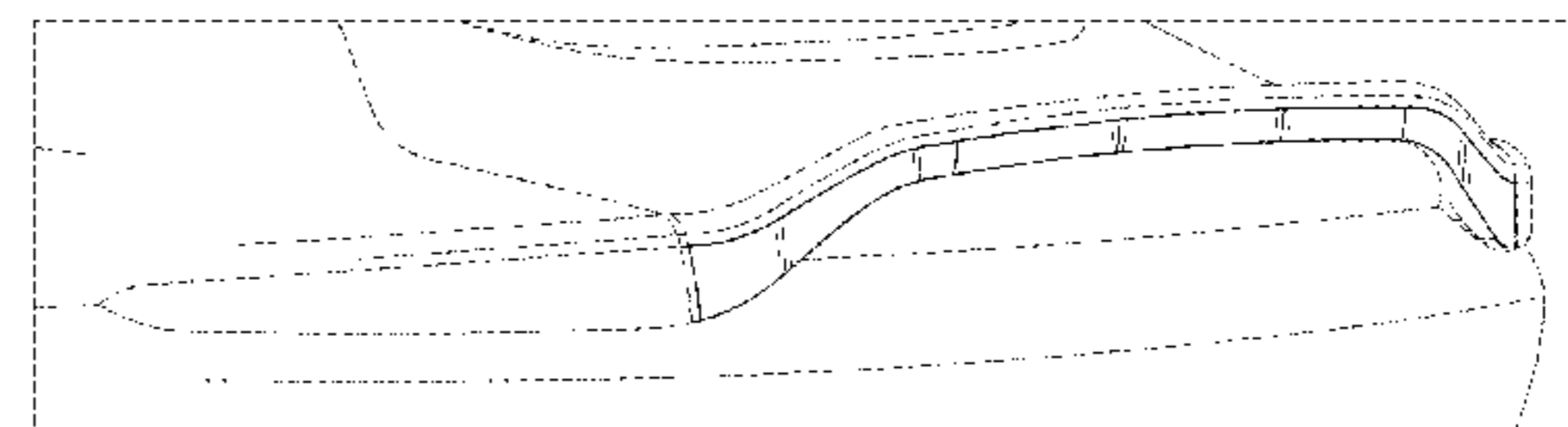
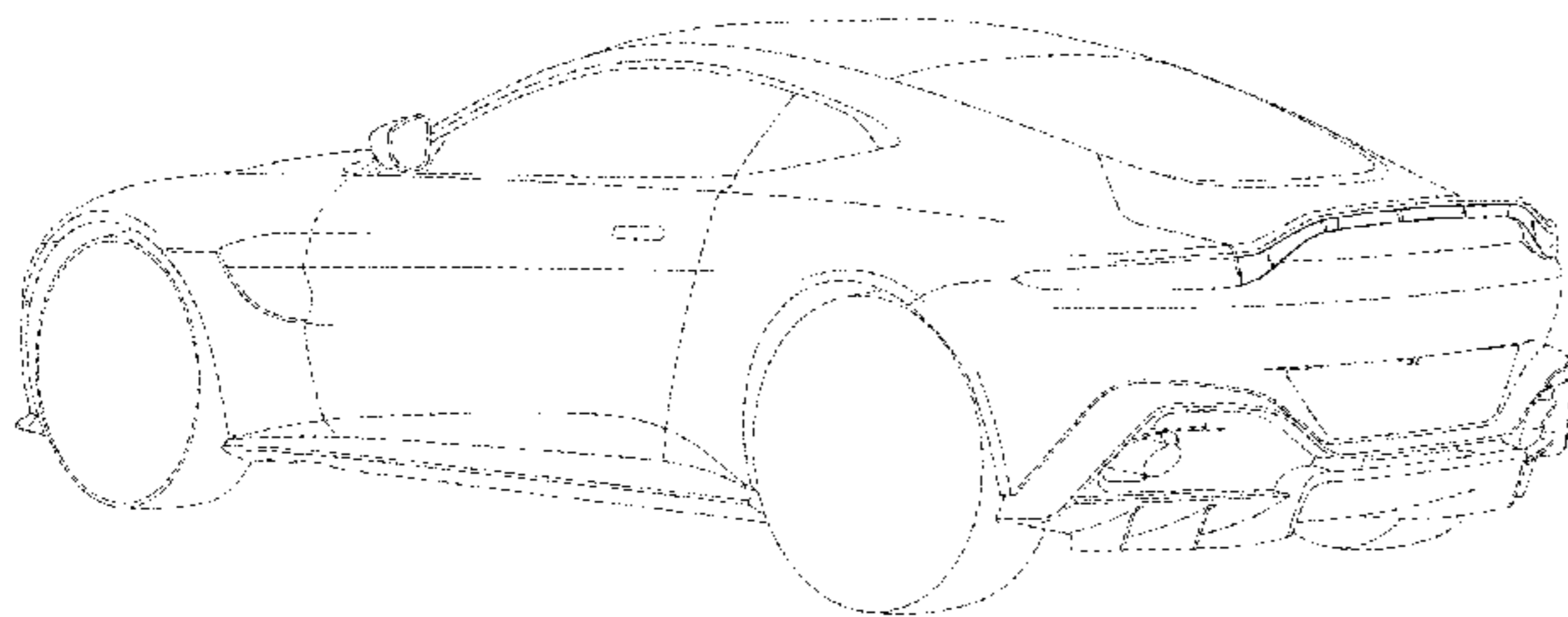
U.S. PATENT DOCUMENTS

D373,432 S \* 9/1996 Wu ..... D26/28  
D385,982 S \* 11/1997 Moore ..... D26/28  
D447,825 S \* 9/2001 Lee ..... D26/28  
D535,042 S \* 1/2007 Nakayama ..... D26/28  
D620,396 S 7/2010 Reichman et al.  
D626,466 S 11/2010 Reichman et al.  
D629,718 S 12/2010 Reichman et al.  
D629,719 S 12/2010 Reichman et al.  
D629,725 S 12/2010 Reichman et al.  
D630,140 S 1/2011 Reichman et al.

FIG. 1 is a front elevation view of a rear light for an automobile in accordance with the present design; FIG. 2 is a rear elevation view thereof; FIG. 3 is a top plan view thereof; FIG. 4 is a left side elevation view thereof; FIG. 5 is a right side elevation view thereof; FIG. 6 is a rear perspective view thereof; FIG. 7 is a front perspective view thereof; FIG. 8 is an enlarged rear elevation view thereof; FIG. 9 is an enlarged rear perspective view thereof; and, FIG. 10 is an enlarged right side elevation view thereof. The broken lines show an automobile for environment and form no part of the claimed design. Any combination of the illustrated features may be claimed in this application or a continuing application claiming priority to this application by converting any of the solid lines to broken lines, any of the broken lines to solid lines, or any combination thereof.

(Continued)

**1 Claim, 8 Drawing Sheets**



(56)

References Cited

U.S. PATENT DOCUMENTS

D670,640 S	11/2012	Reichman et al.	
D684,711 S *	6/2013	Chen .....	D26/28
D687,348 S	8/2013	Nurnberger	
D689,812 S	9/2013	Reichman et al.	
D692,800 S	11/2013	Wiltshire	
D704,102 S	5/2014	Nurnberger	
D704,601 S	5/2014	Nurnberger	
D726,079 S	4/2015	Reichman et al.	
D727,804 S	4/2015	Nurnberger	
D730,777 S	6/2015	Nurnberger	
D738,551 S *	9/2015	Diephuis .....	D26/28
D739,789 S	9/2015	Payne	
D740,725 S	10/2015	Payne	
D758,247 S	6/2016	Nurnberger et al.	
D766,474 S	9/2016	Holgate et al.	
D772,128 S	11/2016	Platt	
D774,950 S	12/2016	Holgate et al.	
D774,995 S	12/2016	Holgate et al.	
D776,838 S *	1/2017	Wu .....	D26/28
D777,070 S	1/2017	Nurnberger	
D778,790 S	2/2017	Nurnberger	
D780,632 S	3/2017	Nurnberger	
D780,633 S	3/2017	Payne et al.	
D780,634 S	3/2017	Segui et al.	
D780,636 S	3/2017	Kahn	
D785,525 S	5/2017	Nurnberger	
D786,155 S	5/2017	Holgate et al.	
D786,744 S	5/2017	Nurnberger et al.	
D791,375 S *	7/2017	Lichte .....	D26/28
D795,472 S *	8/2017	Leutiger .....	D26/28
D796,404 S	9/2017	Nurnberger	
D800,619 S	10/2017	Platt	
D801,558 S	10/2017	Nurnberger et al.	
D802,183 S *	11/2017	Leutiger .....	D26/28

FOREIGN PATENT DOCUMENTS

EM	0002129230001	10/2004
EM	0002129230002	10/2004
EM	0010678390001	1/2009
EM	0016500520001	12/2009
EM	0016746310001	2/2010
EM	0016746310002	2/2010
EM	0016746310003	2/2010
EM	0016746310005	2/2010
EM	0019998480001	2/2012
EM	0019998480003	2/2012
EM	0020336210001	4/2012
EM	0020336210003	4/2012
EM	0020336210005	4/2012
EM	0020336210006	4/2012
EM	0020479770002	5/2012
EM	0021714880001	1/2013
EP	0896892 A1	2/1999
EP	0906863 A2	7/1999
EP	2476603 A2	7/2012
GB	2327912 A	2/1999
GB	3013456	7/2003
GB	2396881 A	7/2004
GB	3024223	3/2006
JP	1400694	8/2010
JP	1444677	6/2012
WO	0212028 A1	2/2002

OTHER PUBLICATIONS

U.S. Appl. No. 29/573,909, filed Aug. 10, 2016, Cooper.  
 U.S. Appl. No. 29/582,156, filed Oct. 25, 2016, Earley.  
 U.S. Appl. No. 29/582,165, filed Oct. 25, 2016, Earley.  
 U.S. Appl. No. 29/582,167, filed Oct. 25, 2016, Earley.  
 U.S. Appl. No. 29/582,170, filed Oct. 25, 2016, Earley.  
 U.S. Appl. No. 29/583,268, filed Nov. 3, 2016, Nurnberger et al.  
 U.S. Appl. No. 29/583,272, filed Nov. 3, 2016, Nurnberger et al.  
 U.S. Appl. No. 29/583,278, filed Nov. 3, 2016, Nurnberger et al.

U.S. Appl. No. 29/584,625, filed Nov. 16, 2016, Nurnberger et al.  
 U.S. Appl. No. 29/584,629, filed Nov. 16, 2016, Nurnberger et al.  
 U.S. Appl. No. 29/589,582, filed Jan. 3, 2017, Nurnberger et al.  
 U.S. Appl. No. 29/589,583, filed Jan. 3, 2017, Nurnberger et al.  
 U.S. Appl. No. 29/589,586, filed Jan. 3, 2017, Nurnberger et al.  
 U.S. Appl. No. 29/589,618, filed Jan. 3, 2017, Nurnberger et al.  
 U.S. Appl. No. 29/595,005, filed Feb. 24, 2017, Nurnberger et al.  
 U.S. Appl. No. 29/604,102, filed May 15, 2017, Nurnberger et al.  
 U.S. Appl. No. 29/616,003, filed Sep. 1, 2017, Re et al.  
 U.S. Appl. No. 29/616,006, filed Sep. 1, 2017, Re et al.  
 U.S. Appl. No. 29/616,008, filed Sep. 1, 2017, Re et al.  
 U.S. Appl. No. 29/616,010, filed Sep. 1, 2017, Re et al.  
 U.S. Appl. No. 29/616,014, filed Sep. 1, 2017, Re et al.  
 U.S. Appl. No. 29/621,813, filed Oct. 11, 2017, Nurnberger et al.  
 U.S. Appl. No. 29/621,815, filed Oct. 11, 2017, Nurnberger et al.  
 U.S. Appl. No. 29/626,411, filed Nov. 16, 2017, Nurnberger et al.  
 U.S. Appl. No. 29/626,415, filed Nov. 16, 2017, Nurnberger et al.  
 U.S. Appl. No. 29/626,419, filed Nov. 16, 2017, Hill et al.  
 U.S. Appl. No. 29/626,801, filed Nov. 20, 2017, Hill et al.  
 U.S. Appl. No. 29/631,883, filed Jan. 3, 2018, Hill et al.  
 U.S. Appl. No. 29/631,887, filed Jan. 3, 2018, Hill et al.  
 "2009 Aston Martin Vantage 2-door Coupe Man Grille". Found online Mar. 21, 2016 at motorauthority.com. Page dated c. 2009. Retrieved from [http://www.motorauthority.com/image/100236184\\_2009-aston-martin-vantage-2-door-coupe-man-grille](http://www.motorauthority.com/image/100236184_2009-aston-martin-vantage-2-door-coupe-man-grille).  
 "2011 Aston Martin One-77." Electronic Brochure., Jun. 22, 2010 [online], [retrieved on Sep. 5, 2014]. Retrieved from the Internet <URL: [http://www.auto-brochures.com/makes/Aston\\_Martin/one-77/Aston%20Martin\\_int%20ne-77.pdf](http://www.auto-brochures.com/makes/Aston_Martin/one-77/Aston%20Martin_int%20ne-77.pdf)>.  
 "2012 Aston Martin Virage", Online Review dated Mar. 21, 2012 (Retrieved from the Internet Jan. 20, 2016), Available at <http://www.autoblog.com/2012/03/21/2012-aston-martin-virage-review-road-test>.  
 "Aston Martin Sedan/Lagonda Spy Photos". Found online Mar. 21, 2016 at forums.nasioc.com. Page dated May 9, 2014. Retrieved from <http://forums.nasioc.com/forums/showthread.php?t=2628222>.  
 "Cars Wheels Design", Online Blog dated Oct. 13, 2011 (Retrieved from the Internet Jan. 20, 2016), Available at <http://wheelsdesigns.blogspot.com/2011/10/aston-martin-wheels.html>.  
 "eAutoZine: Aston Martin Lagonda Returns in Summer 2014". Found online Mar. 21, 2016 at eautozine.com. Page dated Jun. 22, 2014. Retrieved from <http://www.eautozine.com/page/4/>.  
 1976 and 1987 Aston Martin Lagonda, [online], [site visited Jul. 24, 2014], Available from Internet, <URL: <http://www.astonmartin.com/heritage/past-models/lagonda>>, 2 pages.  
 2003 Aston Martin DB7 Vantage, [online], [site visited Jan. 3, 2014], Available from Internet, <URL: <http://www.conceptcarz.com/view/photo/291097,6877/2003-Aston-Martin-DB7-Vantage.aspx>>, 2 pages.  
 2011 Aston Martin Rapide, [online article Feb. 4, 2010, [site visited Jan. 3, 2014], Available from Internet, <URL: <http://www.roadandtrack.com/car-reviews/first-drives/photos-2011-aston-martin-rapide> e?click=main\_sr#slide-1>, 6 pages.  
 2014 Aston Martin Rapide S, announced Dec. 30, 2013, [online], [site visited Jan. 3, 2014], Available from Internet, <URL: <http://www.astonmartin.com/en-us/cars/rapide-s>>, 35 pages.  
 Aston Martin 2013, "Aston Martin Centenary Celebration Programme," 2013; 204 pages.  
 Aston Martin DB9 Brochure; Website[online]: <http://www.auto-brochures.com>, Jan. 27, 2012 [retrieved on Oct. 22, 2013]. Retrieved from the internet: <URL: [http://www.auto-brochures.com/makes/Aston\\_Martin/db9/Aston%20Martin\\_int%20DB9\\_1.pdf](http://www.auto-brochures.com/makes/Aston_Martin/db9/Aston%20Martin_int%20DB9_1.pdf)>; 41 pages.  
 Aston Martin IDBS Brochure; Website[online]: <http://www.auto-brochures.com>, Jan. 27, 2012 [retrieved on Oct. 22, 2013]. Retrieved from the internet: <URL: [http://www.auto-brochures.com/makes/Aston\\_Martin/dbs/Aston%20Martin\\_int%20DBS\\_1.pdf](http://www.auto-brochures.com/makes/Aston_Martin/dbs/Aston%20Martin_int%20DBS_1.pdf)>; 62 pages.  
 Aston Martin, "Vulcan", <http://www.astonmartin.com/vulcan> [Retrieved from the Internet on Oct. 21, 2016], 2 Pages.  
 European Patent Office; PCT International Preliminary Examination Report dated Dec. 5, 2002; PCT/GB01/03563; 11 pages.  
 European Patent Office; PCT International Search Report dated Nov. 21, 2001; PCT/GB01/03563; 3 pages.

(56)

**References Cited**

## OTHER PUBLICATIONS

European Patent Office; PCT Written Opinion dated Aug. 21, 2002; PCT/GB01/03563; 5 pages.

European Patent Office; PCT Written Opinion dated Mar. 6, 2002; PCT/GB01/03563; 5 pages.

Youtube, "First Look: Aston Martin Vulcan—Geneva 2015", <https://www.youtube.com/watch?v=weY6qeOJIBe>, Published Mar. 5, 2015, 2 Pages.

"Extremely Striking 'Bespoke' Aston Martin Super-Saloon Spied". Found online Mar. 21, 2016 at [forums.vwvortex.com](http://forums.vwvortex.com). Page dated May 8, 2014., Retrieved from <http://forums.vwvortex.com/showthread.php?6969673-Extremely-striking-quot-Bespoke-quot-Aston-Martin-super-saloon-spied-Built-by-0-by-Aston-Martin-will-be-very-limited-run-could-be-badged-Lagonda>.

Carrion, Annette. "2014 Aston Martin Vanquish Volante Neiman Marcus . . ." European Car Web., Jun. 22, 2010 [online], [retrieved on Sep. 5, 2014]., Retrieved from the Internet <URL: [http://www.europeancarweb.com/news/1311\\_2014\\_aston\\_martin\\_vanquish\\_volante\\_neiman\\_marcus\\_edition/photo\\_06.html](http://www.europeancarweb.com/news/1311_2014_aston_martin_vanquish_volante_neiman_marcus_edition/photo_06.html)>.

Vijayenthiran, Viknesh. "Aston Martin Builds and Sells Two CC100 Speedsters: Report." Motor Authority., Jul. 26, 2013 [online], [retrieved on Sep. 5, 2014]., Retrieved from the Internet <URL: [http://www.motorauthority.com/news/1085797\\_aston-martin-builds-and-sells-two-cc100-speedsters-report](http://www.motorauthority.com/news/1085797_aston-martin-builds-and-sells-two-cc100-speedsters-report)>.

2008 Aston Martin DB9 Grill & Front View Photo. Website[online]: <http://www.motortrend.com>, Jun. 12, 2008 [retrieved on Oct. 22, 2013]., Retrieved from the internet: <URL: [http://www.motortrend.com/cars/2008/aston\\_martin/db9/photos/exterior/grill\\_front\\_view.html](http://www.motortrend.com/cars/2008/aston_martin/db9/photos/exterior/grill_front_view.html)>; 1 page.

\* cited by examiner

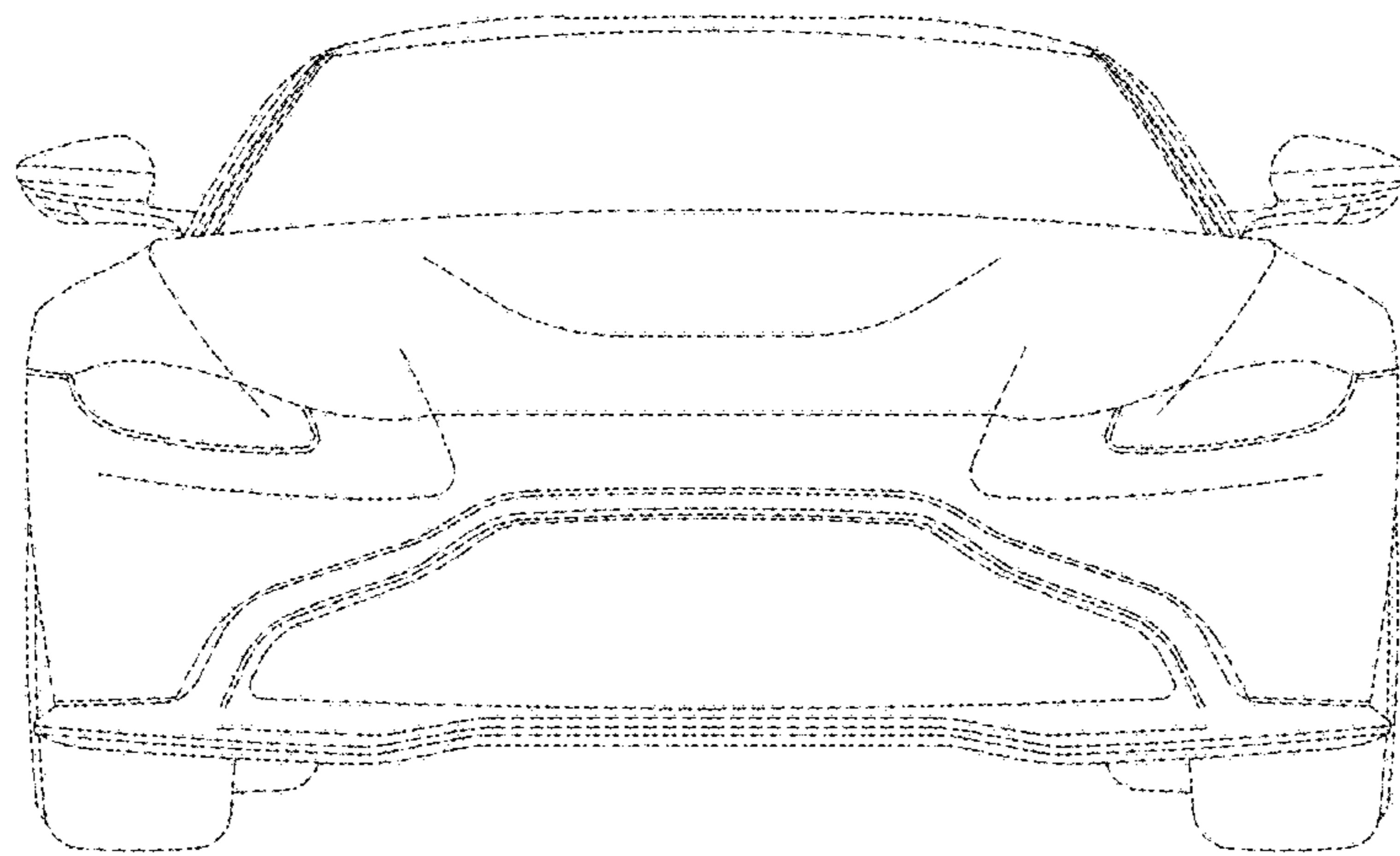


Fig. 1

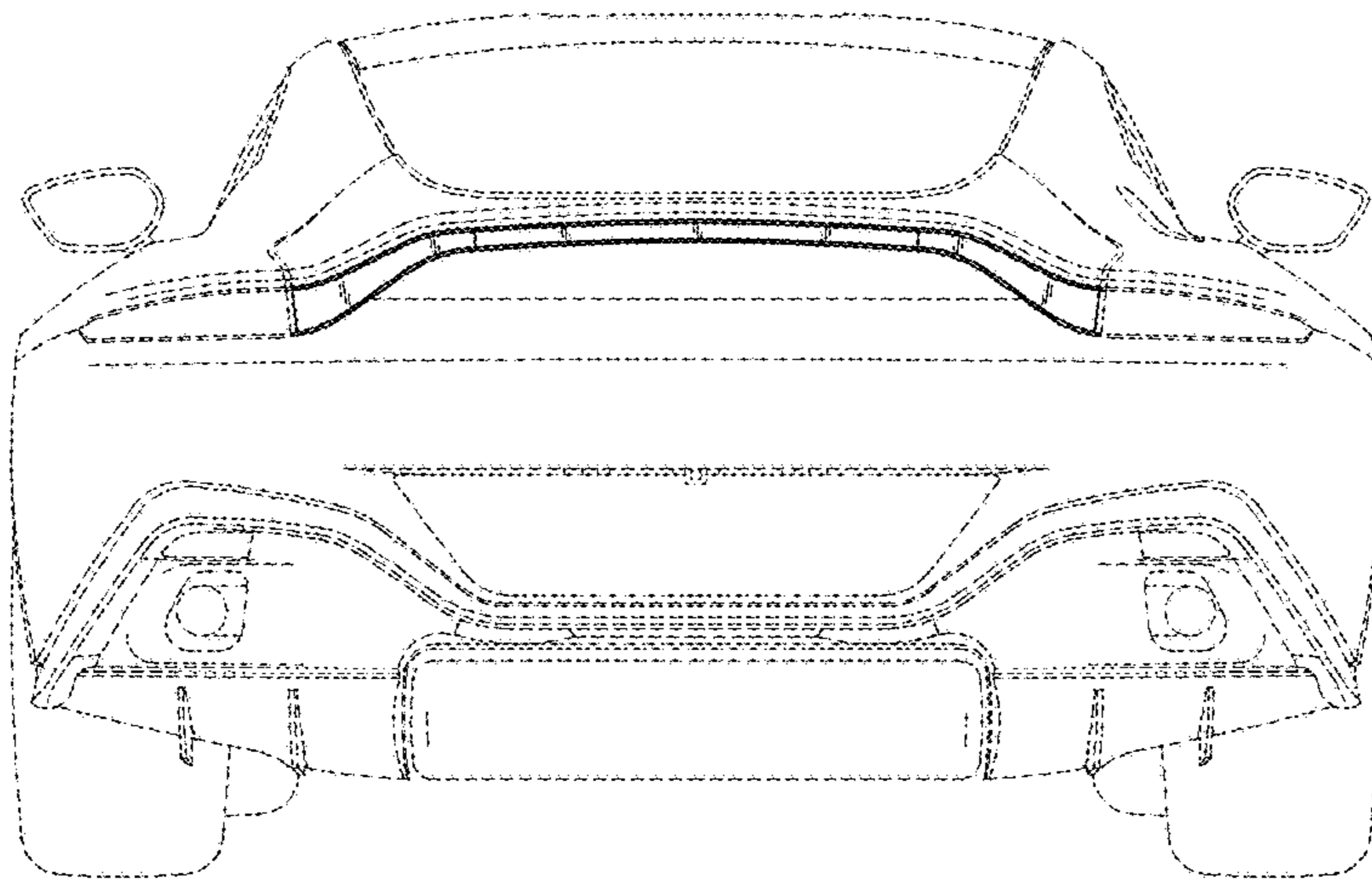


Fig. 2

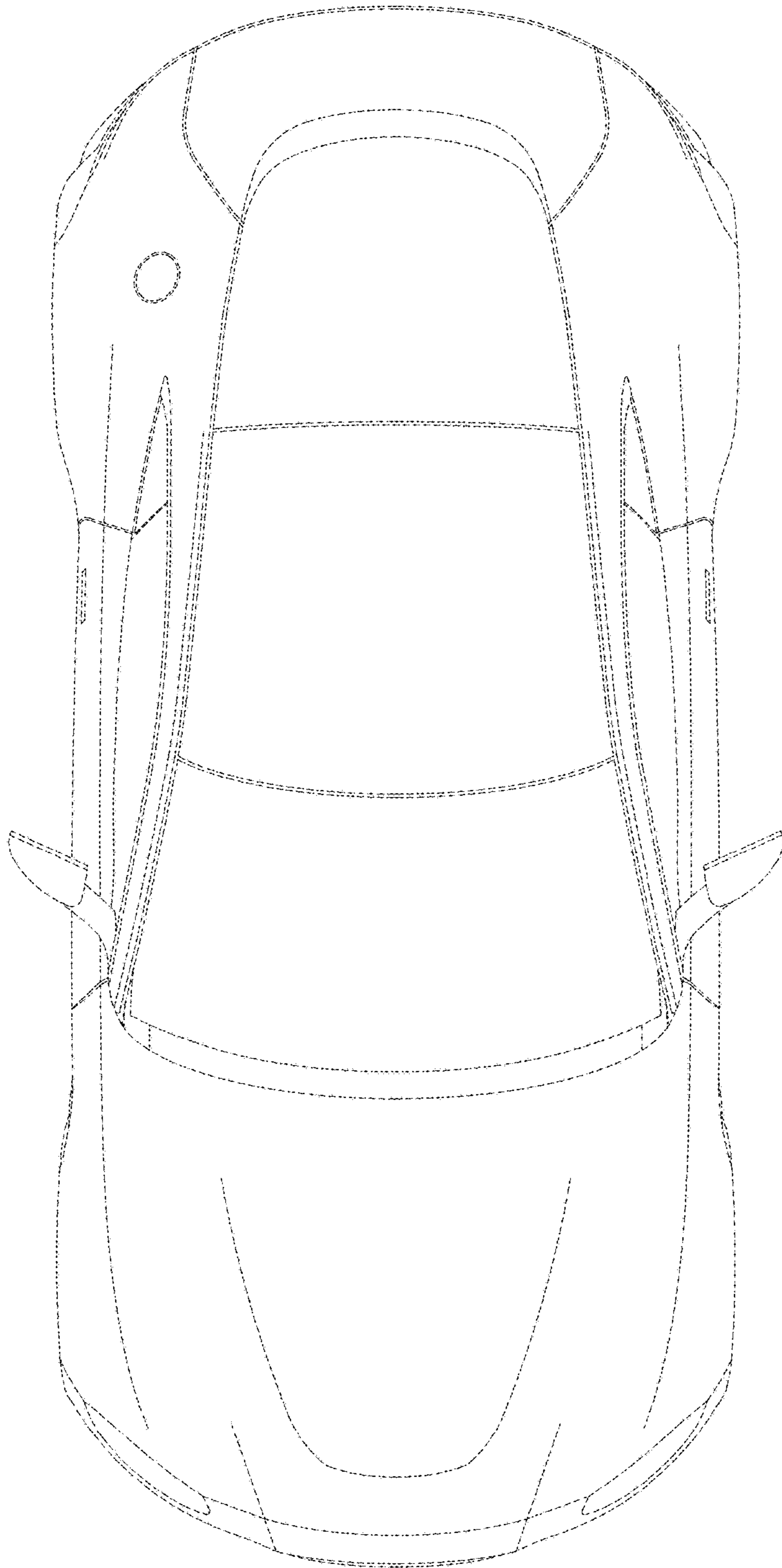


Fig. 3

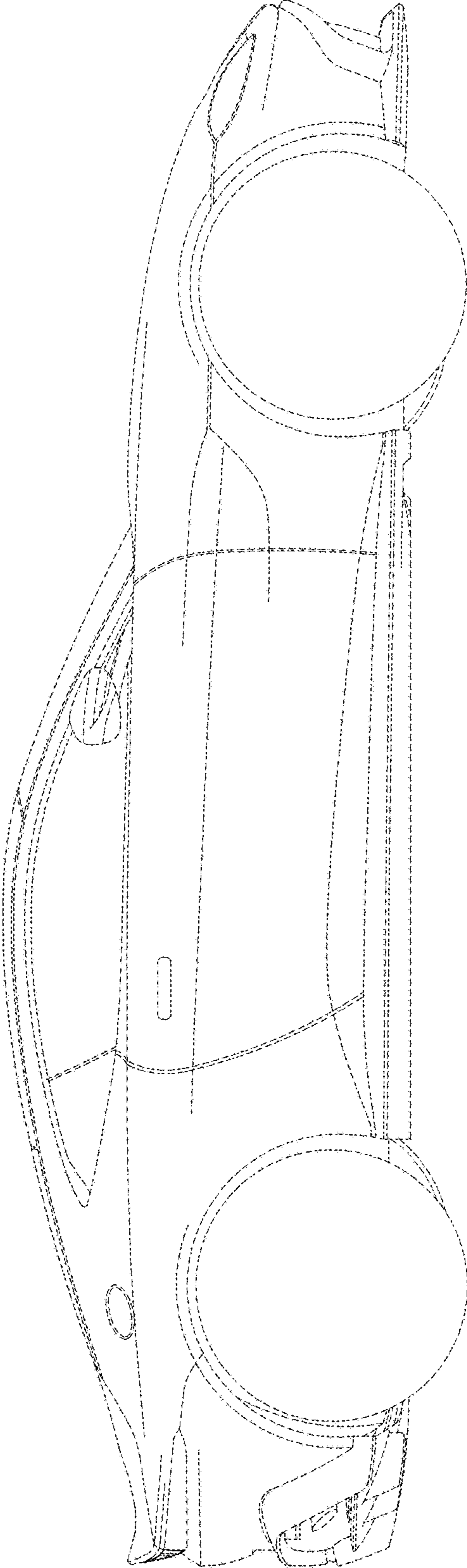


Fig. 4

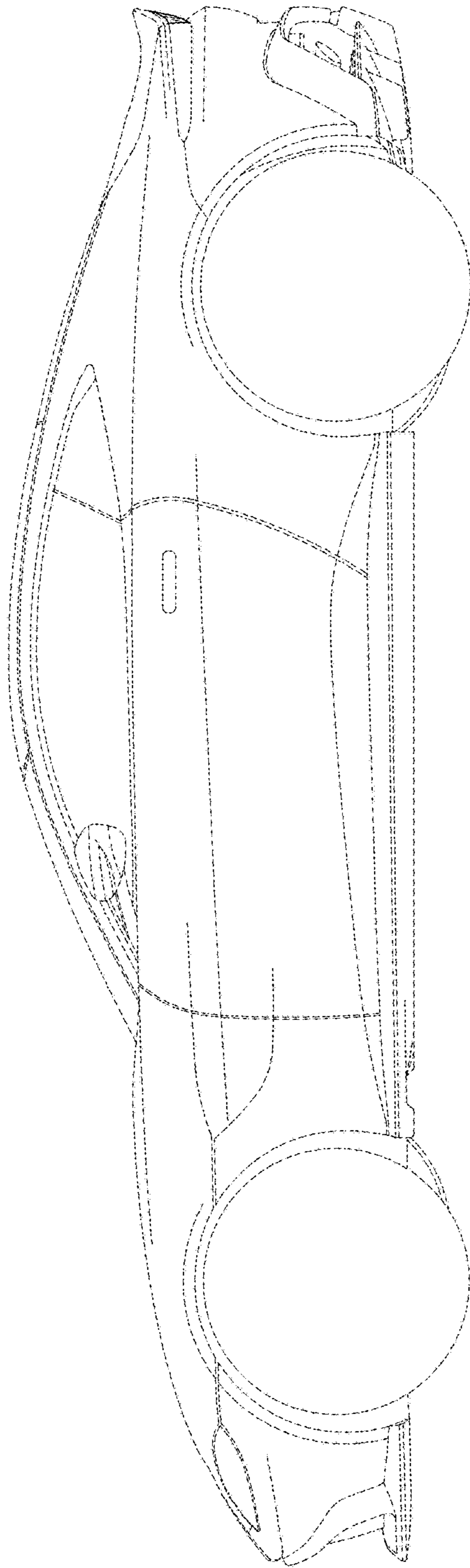


Fig. 5



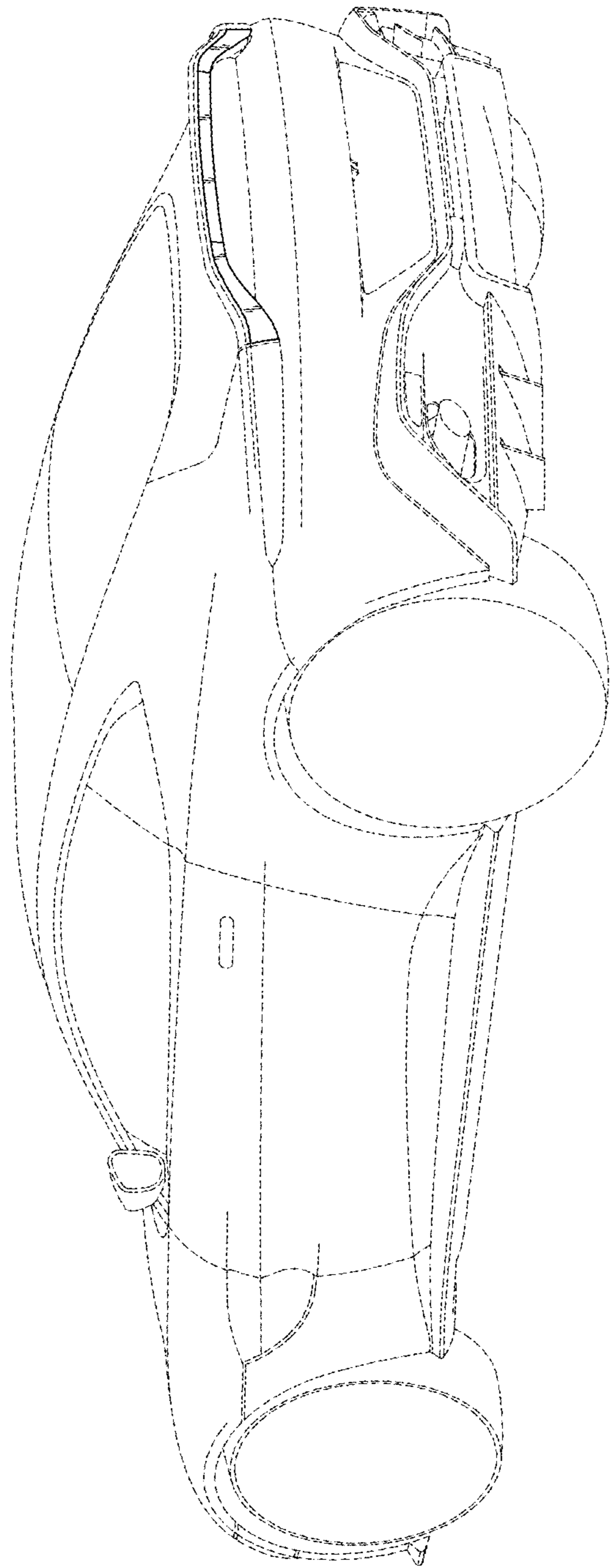


Fig. 6

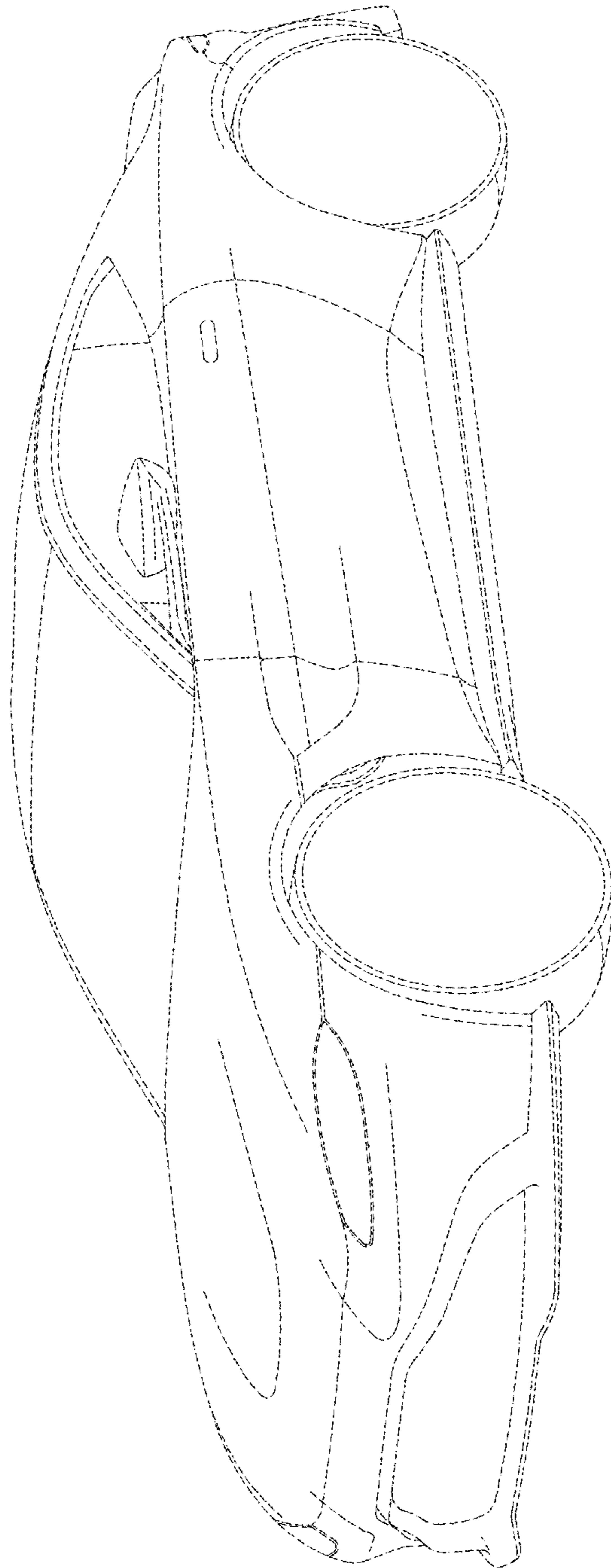


Fig. 7

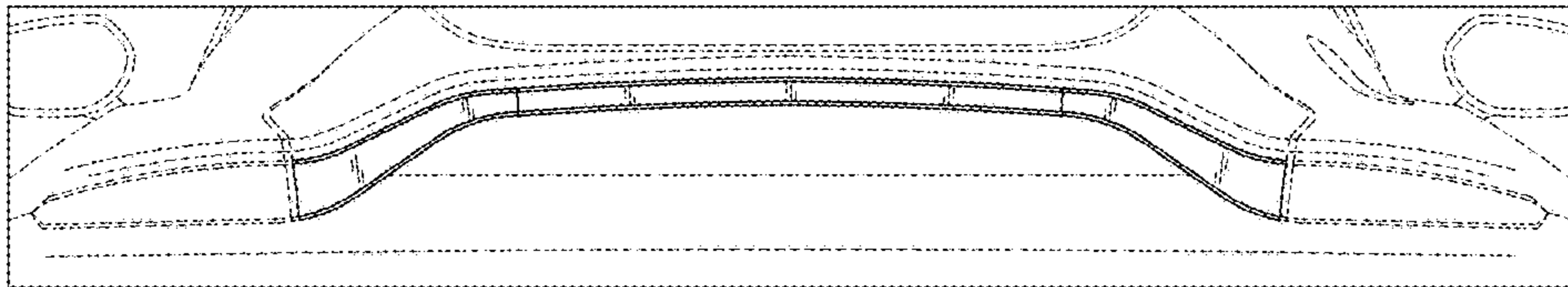


Fig. 8

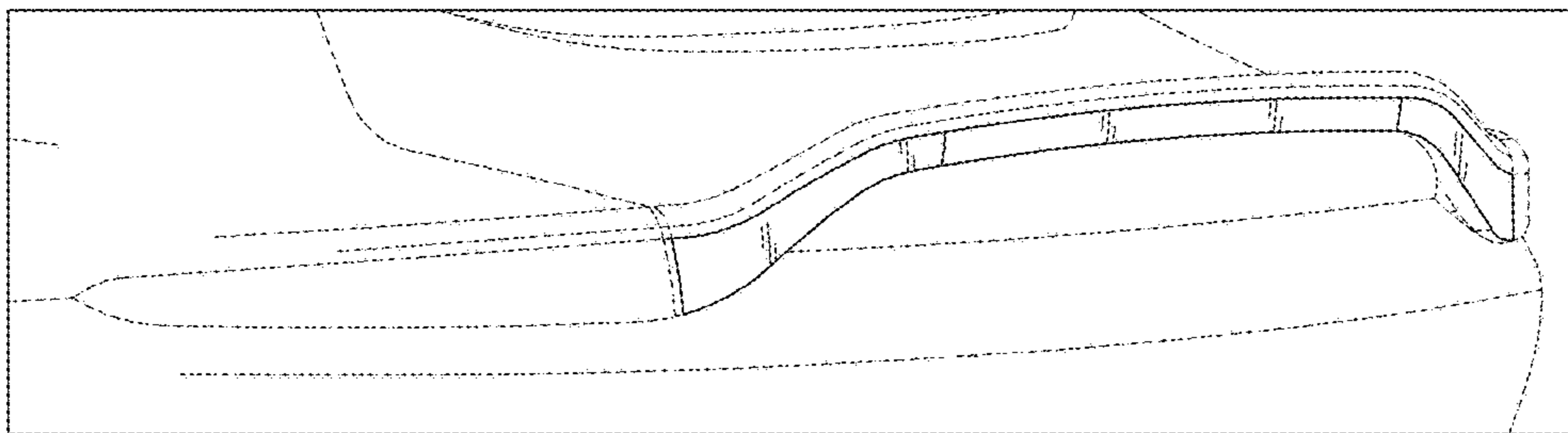


Fig. 9

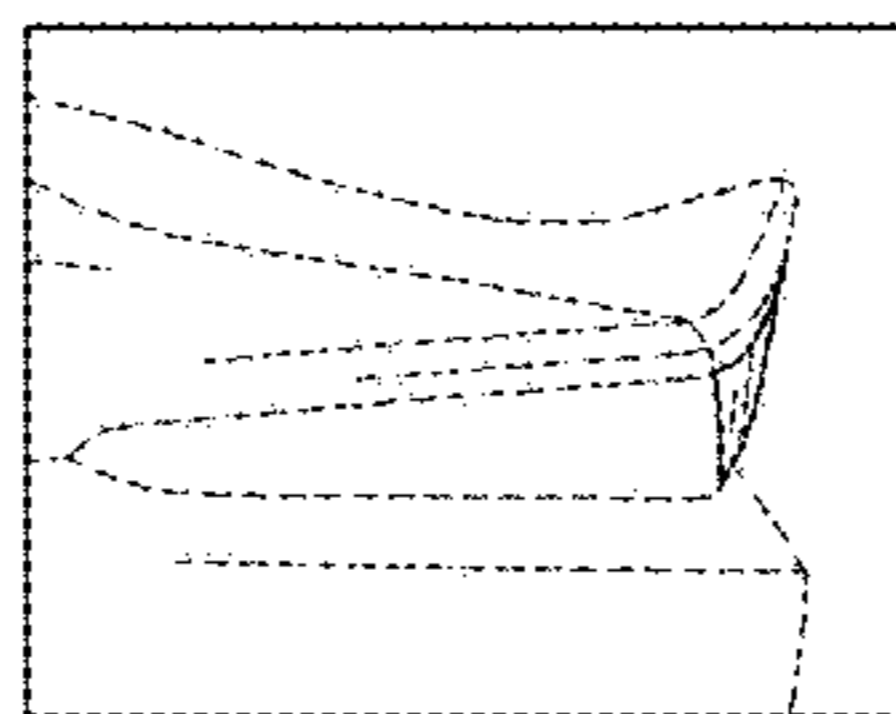


Fig. 10