



US00D838012S

(12) **United States Design Patent**
Schaack et al.

(10) **Patent No.:** **US D838,012 S**
(45) **Date of Patent:** **** Jan. 8, 2019**

- (54) **STONE PATTERNED LIGHT BULB**
- (71) Applicant: **Relamp LLC**, Golden Valley, MN (US)
- (72) Inventors: **Rob Schaack**, Golden Valley, MN (US); **Jessica Schaack**, Golden Valley, MN (US); **Nick Nobbe**, Mound, MN (US)
- (73) Assignee: **Relamp**, Minneapolis, MN (US)

7,832,917 B2 11/2010 Chien
 7,871,192 B2 1/2011 Chien
 8,128,274 B2 3/2012 Chien

(Continued)

(**) Term: **15 Years**

(21) Appl. No.: **29/627,122**

(22) Filed: **Nov. 22, 2017**

(51) **LOC (11) Cl.** **26-04**

(52) **U.S. Cl.**
USPC **D26/4**

(58) **Field of Classification Search**
 USPC D26/1-45
 CPC H01R 5/00; H01R 13/46; H01R 13/514;
 H01R 31/048; H01R 31/02; H01J 5/00;
 H01J 5/16; H01J 15/00; H01J 5/48; H01J
 5/50; H01J 19/54; F21V 5/00; F21V
 13/00; F21V 29/004

See application file for complete search history.

(56) **References Cited**

U.S. PATENT DOCUMENTS

3,538,323	A	11/1970	Ziegler	
D355,038	S *	1/1995	Ortiz	D26/2
D394,512	S *	5/1998	Vakil	D26/2
D422,099	S *	3/2000	Kracke	D26/2
D432,684	S *	10/2000	Yim	D26/2
D443,703	S *	6/2001	Sood	D26/2
D471,652	S *	3/2003	Kling	D26/2
6,558,022	B2	5/2003	Kawahara	
6,644,834	B2	11/2003	Christen	
6,733,155	B2	5/2004	Lee et al.	

OTHER PUBLICATIONS

AVSO; DIY decoration from bulbs—120 craft ideas for old light bulbs; Online Article; <https://www.avso.org/interior-design-ideas/diy-decoration-from-bulbs-120-craft-ideas-for-old-light-bulbs>; 117 pp.

(Continued)

Primary Examiner — Marcus A Jackson

(57) **CLAIM**

The ornamental design for a stone patterned light bulb, as shown and described.

DESCRIPTION

FIG. 1 is a perspective top view of a light bulb showing our new design, wherein the surface of the light bulb is stone in appearance.

FIG. 2 is a perspective bottom view of the light bulb.

FIG. 3 is a top plan view of the light bulb.

FIG. 4 is a bottom plan view of the light bulb.

FIG. 5 is a side elevational view of the light bulb.

FIG. 6 is a side, cross-sectional view of the light bulb taken from the line 6-6 in FIG. 5.

FIG. 7 is a side view of a minimally modified variation of the light bulb of FIG. 1.

FIG. 8 is a side view of a minimally modified variation of the light bulb of FIG. 1.

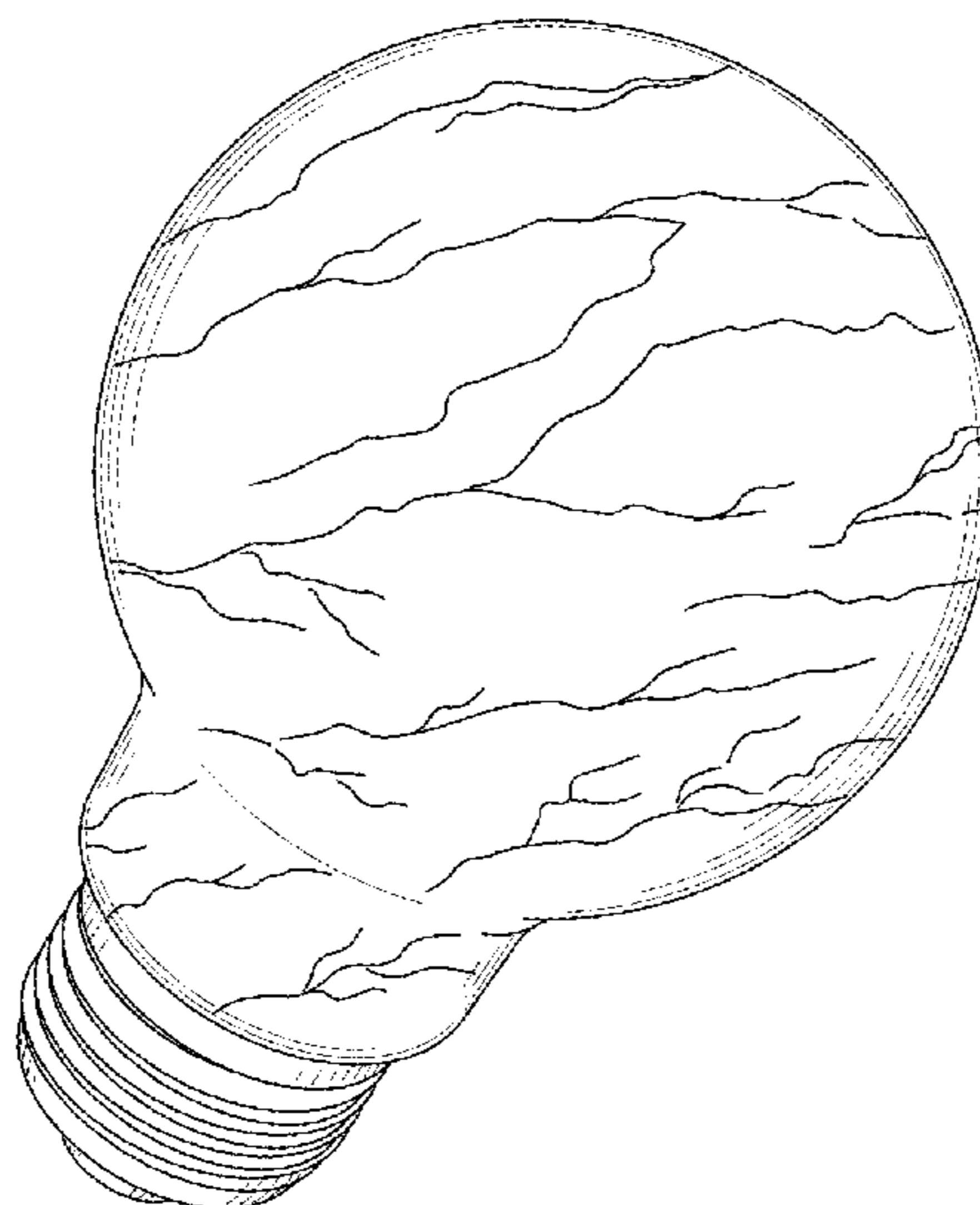
FIG. 9 is a side view of a minimally modified variation of the light bulb of FIG. 1.

FIG. 10 is a side view of a minimally modified variation of the light bulb of FIG. 1; and,

FIG. 11 is a side view of a minimally modified variation of the light bulb of FIG. 1.

The broken lines in the drawings depict parts of the light bulb that form no part of the claimed design.

1 Claim, 6 Drawing Sheets



(56)

References Cited

U.S. PATENT DOCUMENTS

8,372,478 B1 2/2013 Harris et al.
 8,778,461 B1 7/2014 Harris et al.
 8,786,169 B2 7/2014 Lenk
 9,097,413 B2 8/2015 Chien

OTHER PUBLICATIONS

Barn Light Electric Co.; Chrome bulbs provide a unique look while cutting down on glare; Online Article; Aug. 12, 2010; <http://blog.barnlightelectric.com/chrome-light-bulbs-provide-a-unique-look-while-cutting-down-on-glare/>; 6 pp.

Exploratorium Teacher Institute; Colored-shadows; Online Article; <https://www.exploratorium.edu/snacks/colored-shadows/>; 7 pp.

Davidson, Michael; How to paint glass light bulbs; Online Article; <https://www.hunker.com/12002449/how-to-paint-glass-light-bulbs?p=d>; 9 pp.

Renaud, Felicia Rae; MoodLights: Artistic hand painted light bulbs and solar lights; Online Shop; <https://www.etsy.com/shop/MoodLights>; 14 pp.

Frosch, Anna; DIY: Painted light bulbs; Online Article; Feb. 22, 2013; <http://ntdaily.com/diy-painted-light-bulbs/>; 3 pp.

Ryosuke Fukusada, Ledon Lamp GmbH; Wooden light bulb; Online Article; 2009; <https://ryosukefukusada.com/en/projects/wooden-light-bulb/>; 4 pp.

GE; 25-watt incandescent A19 stained glass light bulb; Online Shop; <https://www.homedepot.com/p/GE-25-Watt-Incandescent-A19-Stained-Glass-Light-Bulb-25A-SG-CD-PQ1-5/202217543>; 5 pp.

Renaud, Felicia Rae; Clouds Painted MoodLight Bulb/Painted Light Bulb/Cloud Light Bulb/Night Light/Cloud Baby Shower/Baby Cloud Light/Nursery Light/Lamps/Cloud; Online Shop; https://www.etsy.com/listing/92138506/clouds-painted-moodlight-bulbpainted?ref=shop_home_feat_1; 5 pp.

Hydro-Dip; Licensed Water transfer Printing Film: Grey Marble; Online Shop; http://www.hydrodip.com/water_transfer_printing_films/#Stone; 19 pp.

Hydro-Dip; Water Transfer Printing Films For Sale; Online Shop; http://www.hydrodip.com/shop/water_transfer_printing_film_for_sale/?ProductID=9146; 2 pp.

Kansas Hydrographics; Gold Metal Brush; Online Shop; <https://kansashydrographics.com/collections/stones-metals/products/gold-metal-brush>; 4 pp.

TWN Industries, Inc.; WTP-597 Stain Glass; Online Shop; <https://watertransferprinting.com/shop/hydrographic-film/designer/wtp-597-stain-glass/>; 5 pp.

Hydro-Dip; Licensed Water Transfer Printing Film: Flower Blue; Online Shop; http://www.hydrodip.com/water_transfer_printing_films/#Designer; 19 pp.

Vortexdipkit; Stellar Stars; Online Shop; <http://infectedhydro.com/product/stellar-stars/>; 5 pp.

Kansas Hydrographics; Black Zebra; Online Shop; <https://kansashydrographics.com/collections/animal/products/black-zebra>; 3 pp.

Kansas Hydrographics; Sticky Icky; Online Shop; <https://kansashydrographics.com/products/sticky-icky>; 3 pp.

Kansas Hydrographics; Oil Slick; Online Shop; <https://kansashydrographics.com/collections/abstract/products/oil-slick>; 4 pp.

Kansas Hydrographics; Chevron; Online Shop; <https://kansashydrographics.com/collections/abstract/products/chevron>; 4 pp.

Kansas Hydrographics; Clouds; Online Shop; <https://kansashydrographics.com/collections/abstract/products/clouds>; 4 pp.

Kansas Hydrographics; Grey Camo; Online Shop; <https://kansashydrographics.com/collections/camo/products/grey-camo>; 4 pp.

Kansas Hydrographics; Black & Red Polka Dots; Online Shop; <https://kansashydrographics.com/products/black-red-polka-dots>; 3 pp.

Kansas Hydrographics; Light Woodgrain; Online Shop; <https://kansashydrographics.com/collections/wood/products/light-woodgrain>; 3 pp.

* cited by examiner

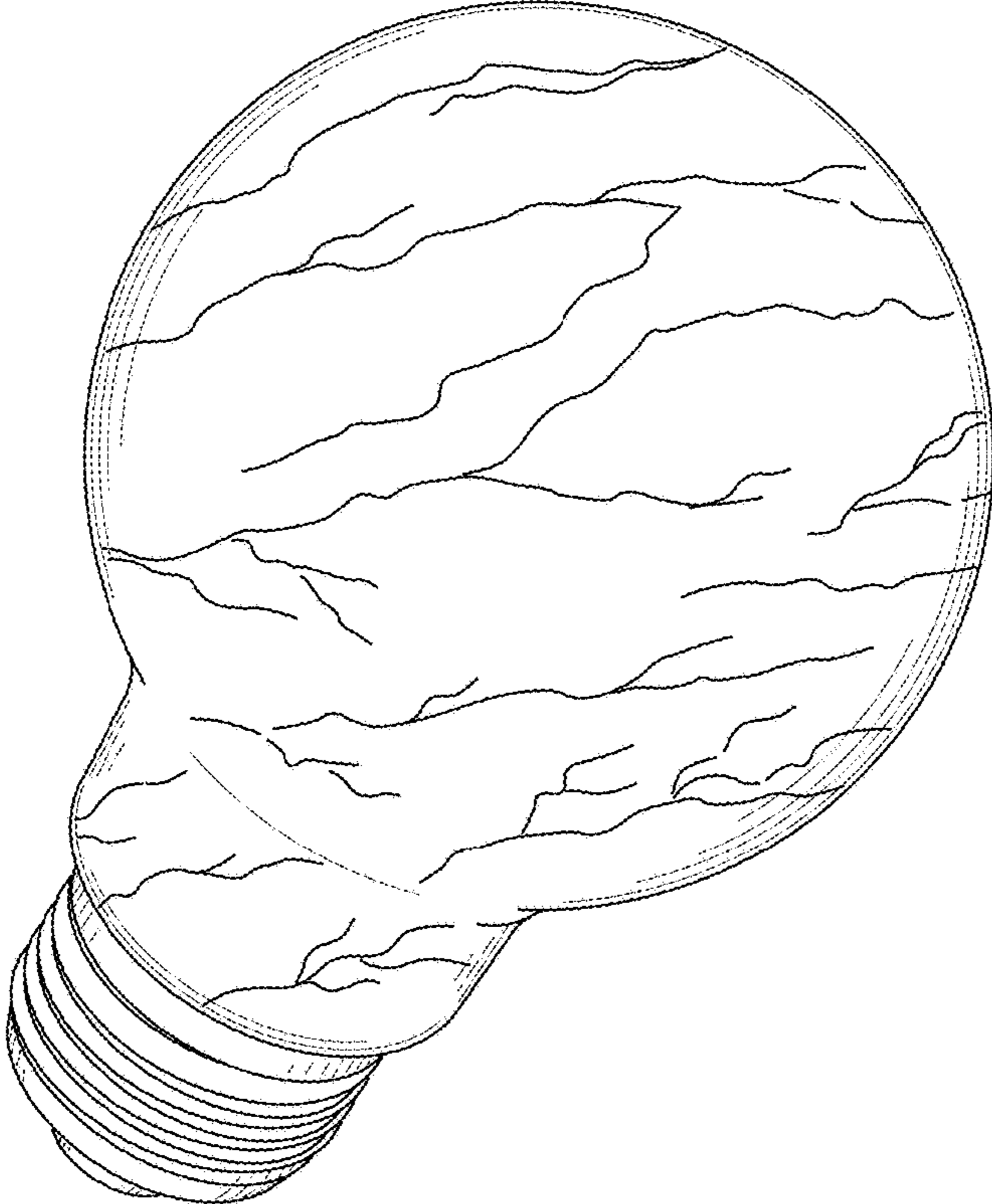


FIG. 1

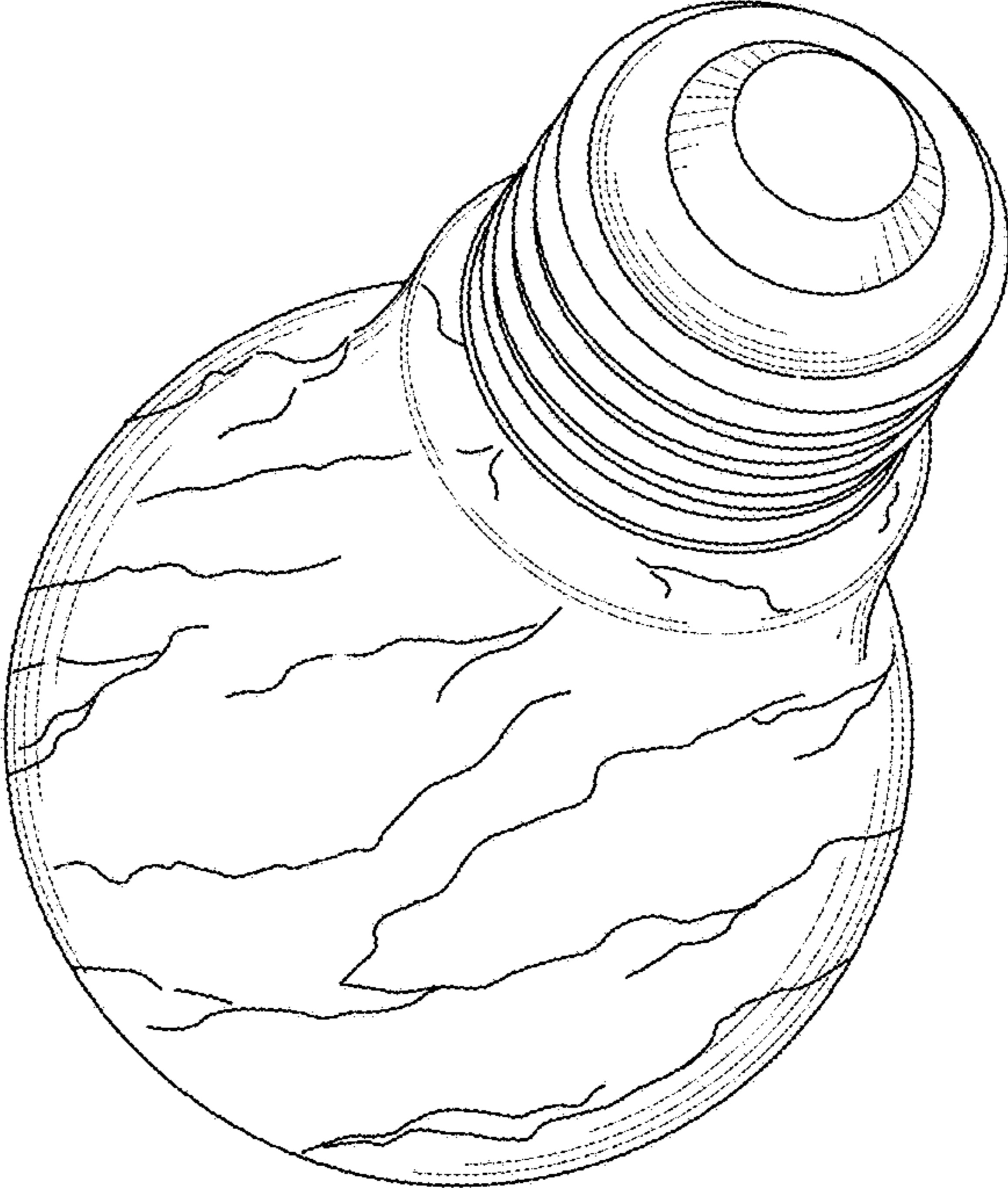


FIG. 2

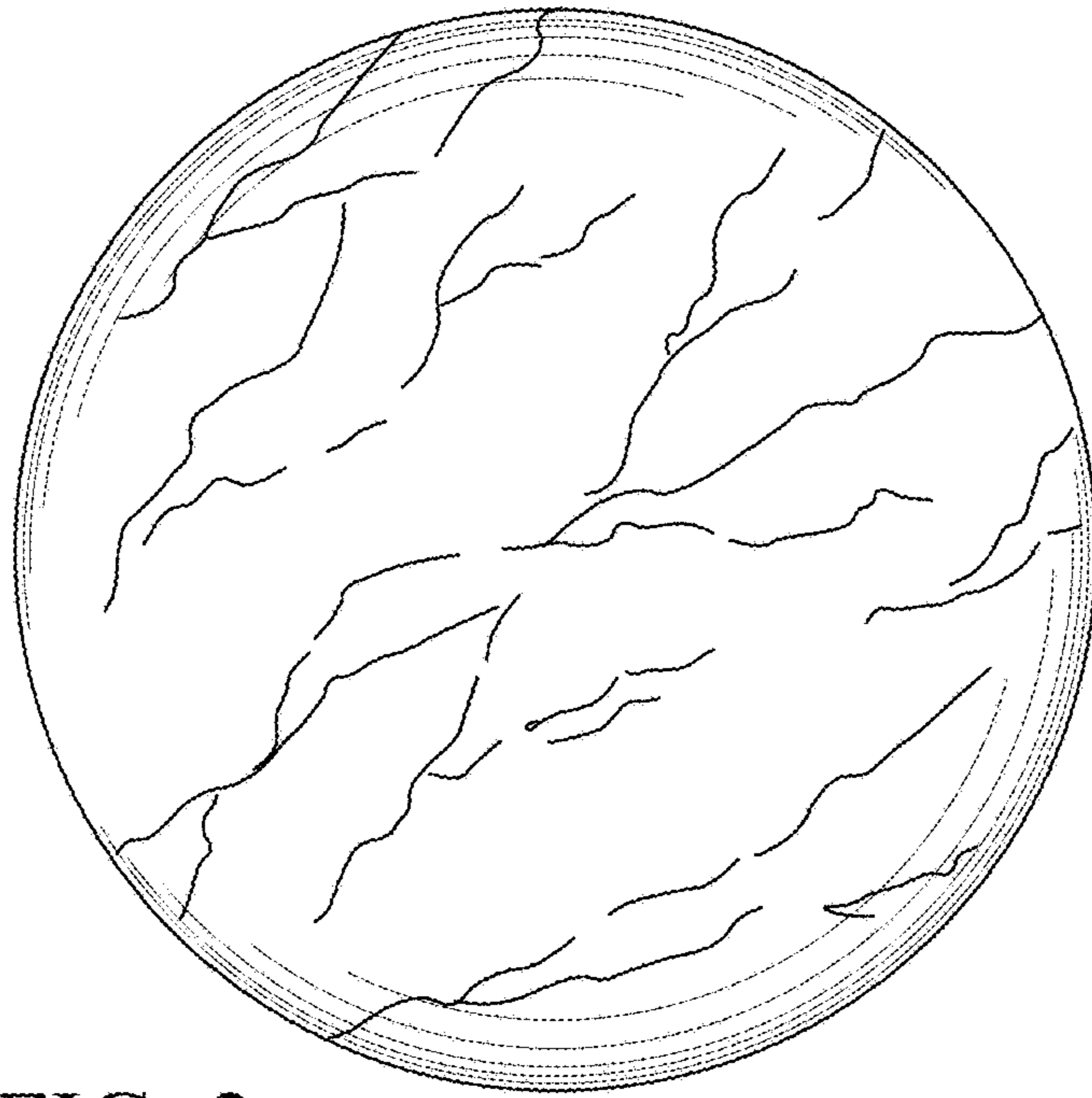


FIG. 3

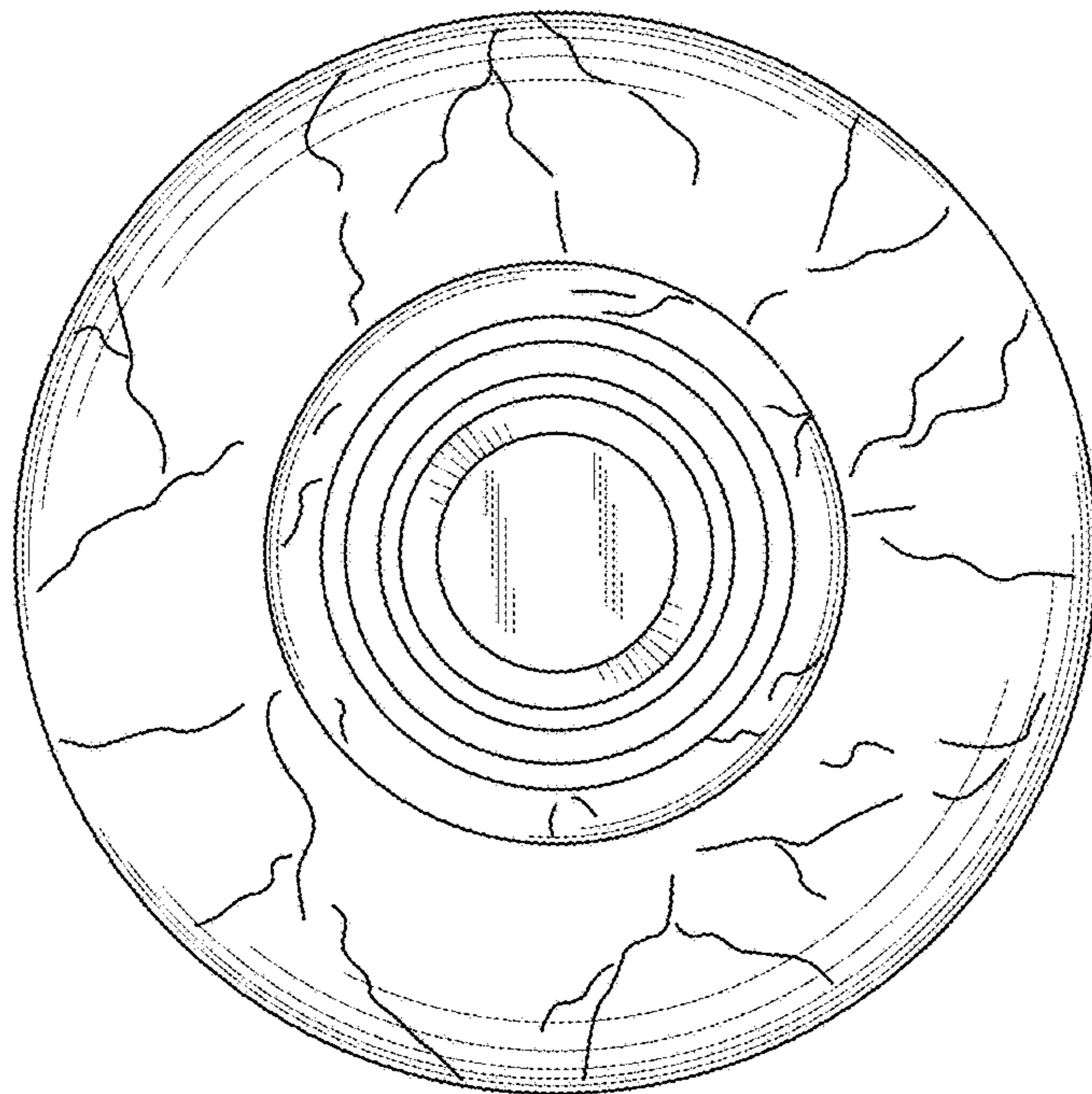


FIG. 4

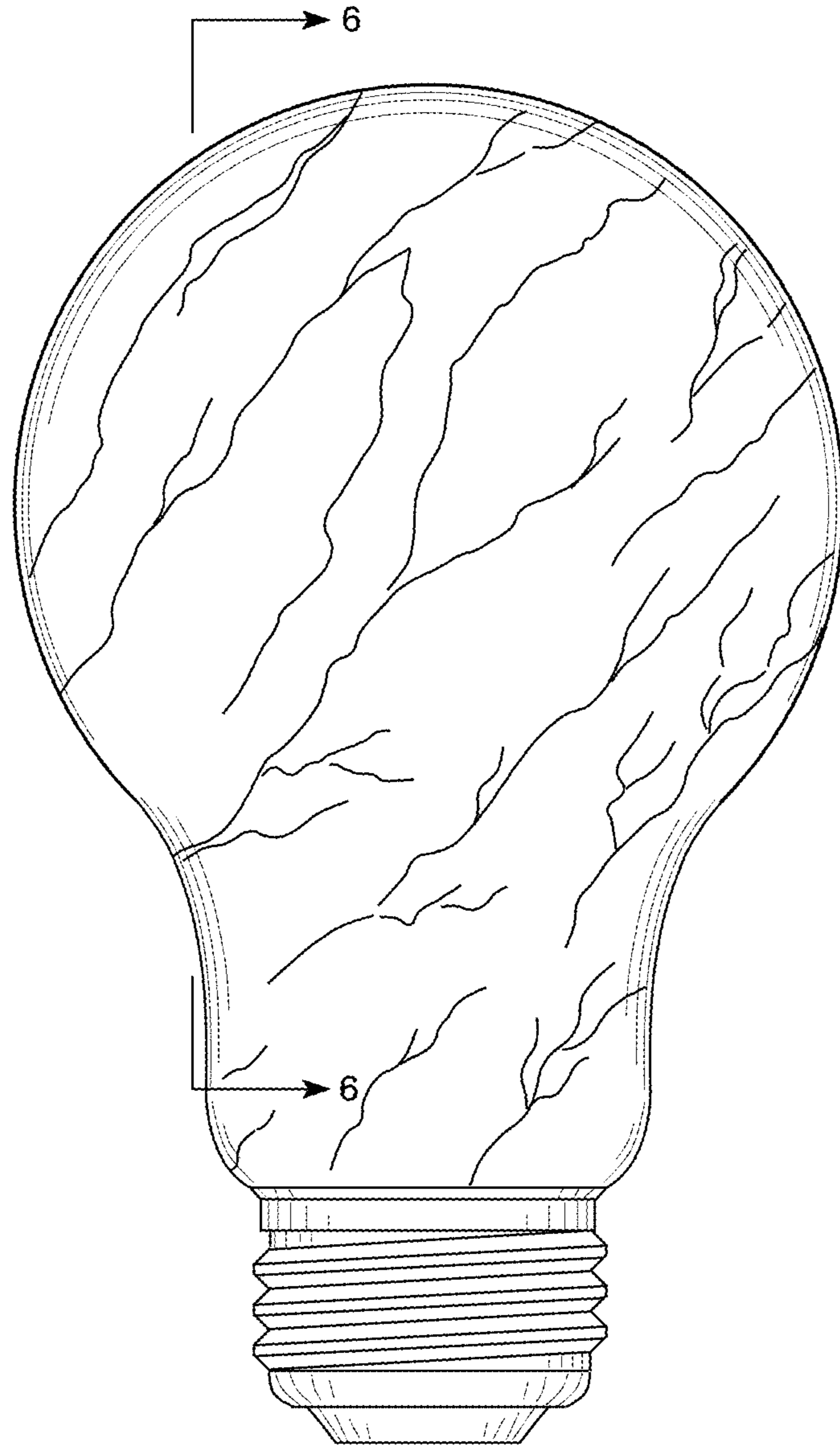


FIG. 5

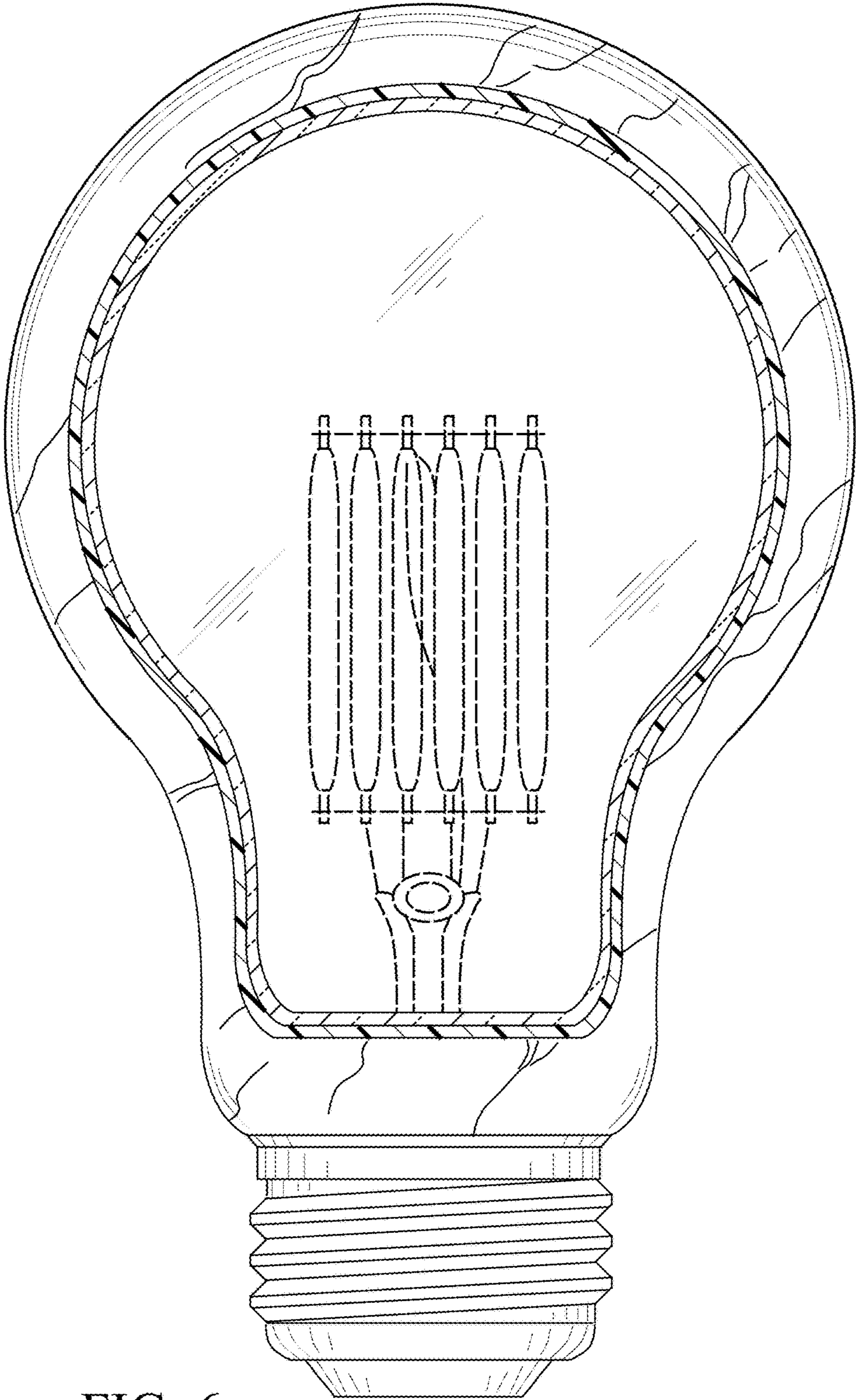


FIG. 6

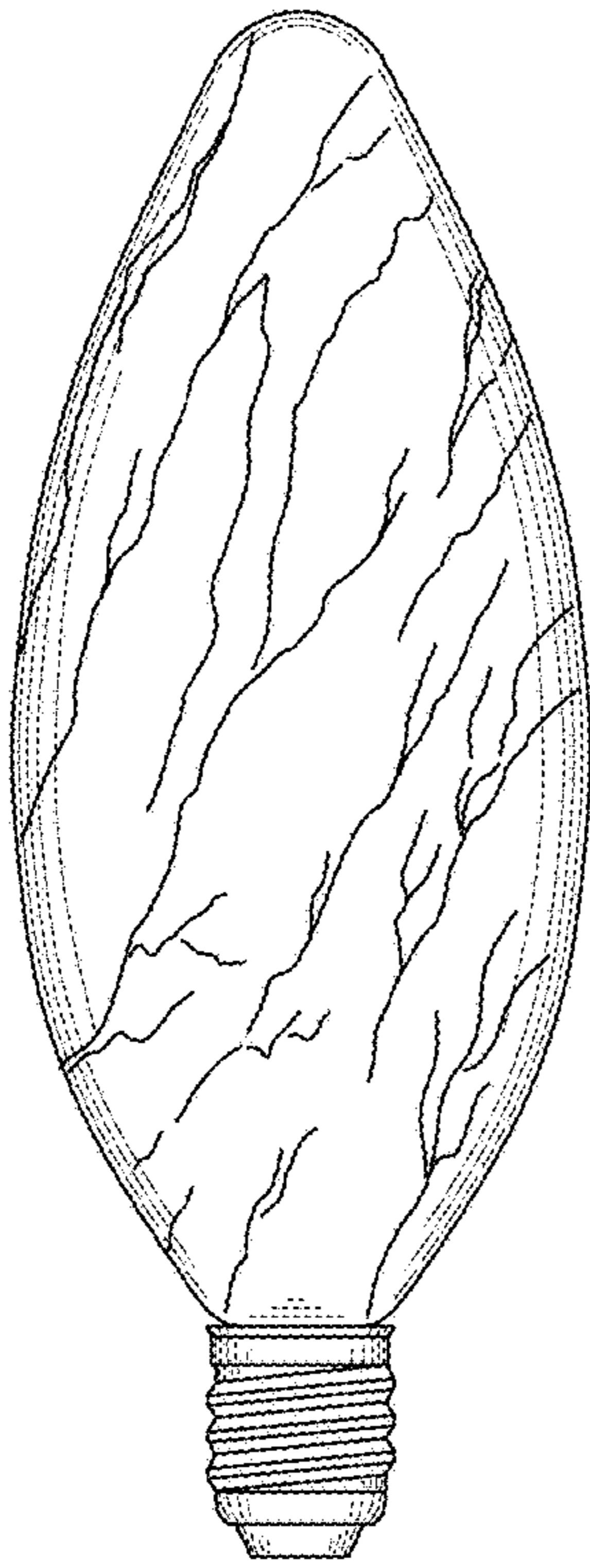


FIG. 7

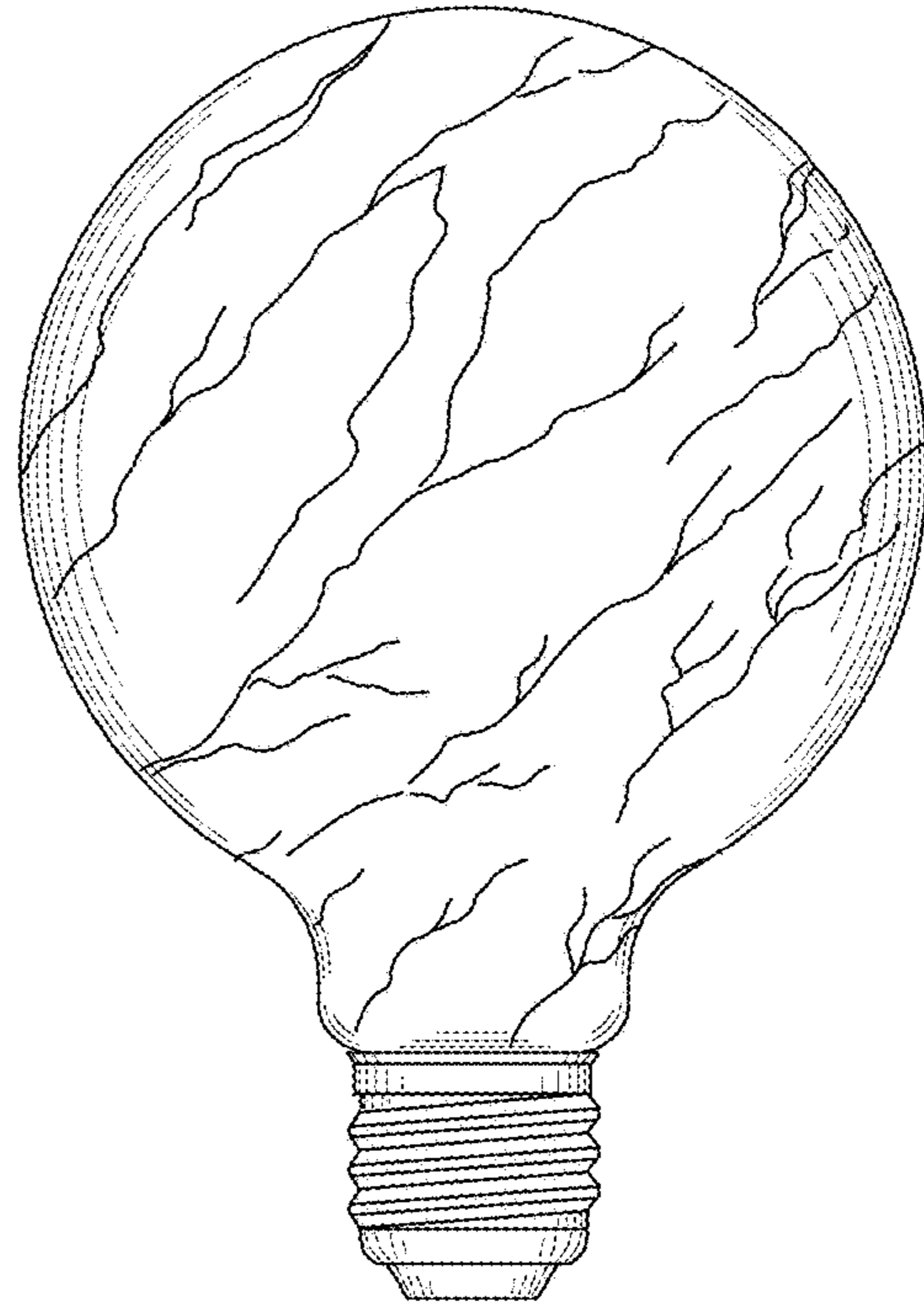


FIG. 8

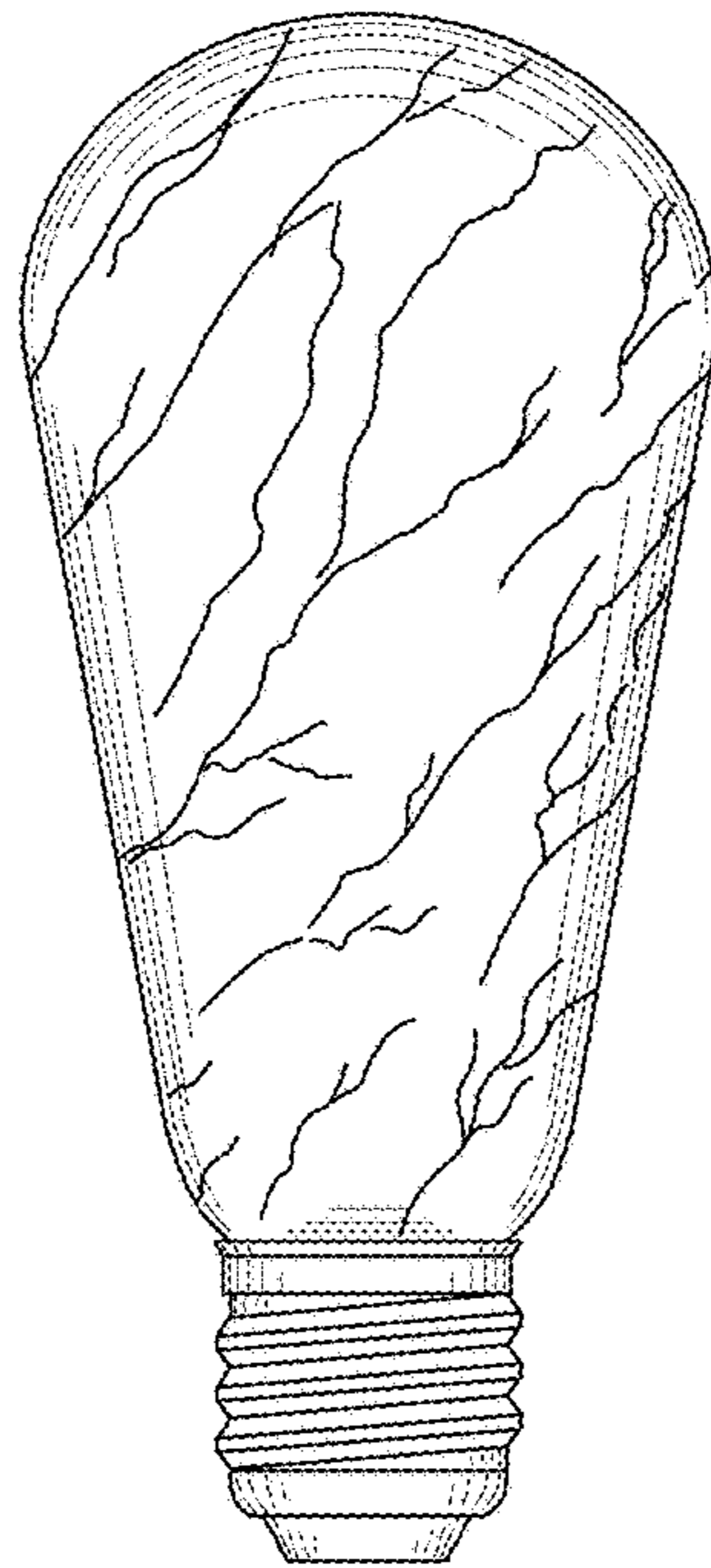


FIG. 9

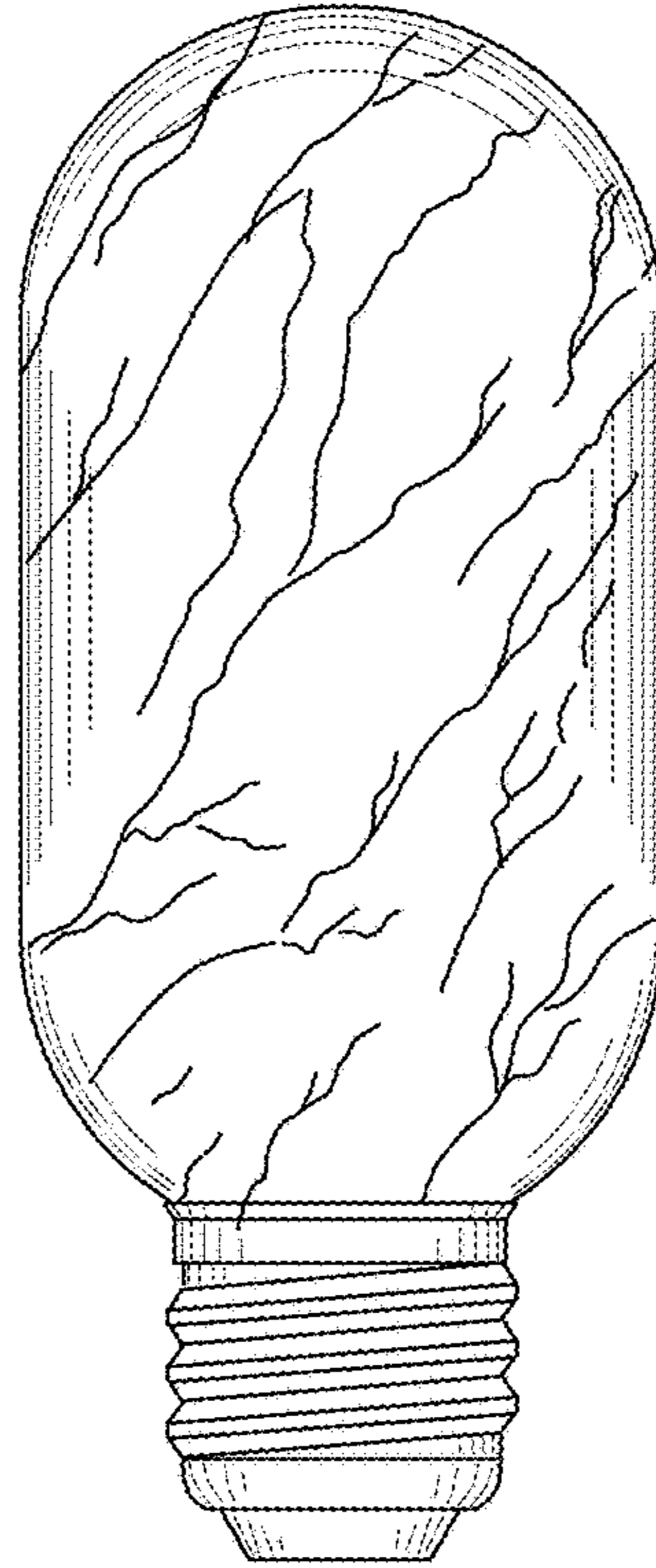


FIG. 10

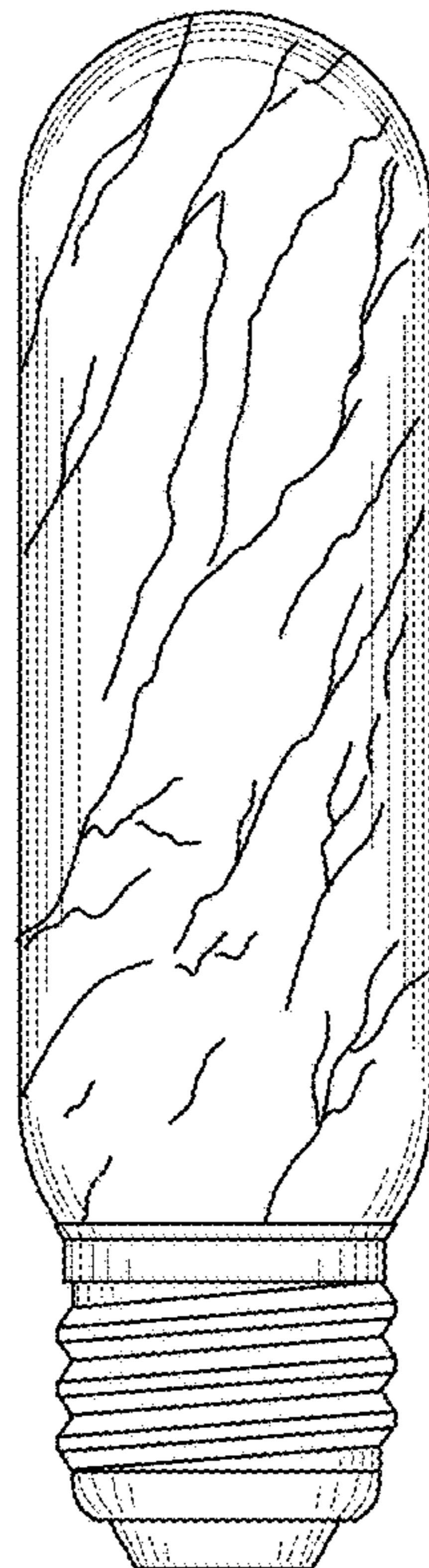


FIG. 11