



US00D838008S

(12) **United States Design Patent**
Wang et al.

(10) **Patent No.:** **US D838,008 S**

(45) **Date of Patent:** **** *Jan. 8, 2019**

(54) **FILAMENT BULB**

D793,585 S * 8/2017 Zhang D26/2
D801,556 S * 10/2017 Yao D26/2
D804,689 S * 12/2017 Zhou D26/2
2016/0369949 A1* 12/2016 Wu H05B 35/00

(Continued)

(71) Applicant: **XIAMEN ECO LIGHTING CO., LTD.**, Xiamen, Fujian Province (CN)

(72) Inventors: **Qiyuan Wang**, Xiamen (CN); **Minghao Wu**, Xiamen (CN); **Xiaobo Chen**, Xiamen (CN); **Liangliang Cao**, Xiamen (CN); **Yunnan Lin**, Xiamen (CN); **Fuwen Li**, Xiamen (CN)

Primary Examiner — Brandon M Rosati

Assistant Examiner — John A Voytek

(74) *Attorney, Agent, or Firm* — PROI Intellectual Property US

(73) Assignee: **XIAMEN ECO LIGHTING CO., LTD.** (CN)

(57) **CLAIM**

The ornamental design for a filament bulb, as shown and described.

(*) Notice: This patent is subject to a terminal disclaimer.

DESCRIPTION

(**) Term: **15 Years**

FIG. 1 is a perspective front View of a filament bulb; FIG. 2 is a front View thereof; FIG. 3 is a left side View thereof; FIG. 4 is a rear View thereof; FIG. 5 is a right side View thereof; FIG. 6 is a top plan View thereof; and, FIG. 7 is a bottom plan View thereof.

(21) Appl. No.: **29/609,685**

(22) Filed: **Jul. 4, 2017**

(51) **LOC (11) Cl.** **26-04**

(52) **U.S. Cl.**
USPC **D26/2**

(58) **Field of Classification Search**

USPC D26/1–6, 22, 72, 74, 78, 88, 89, 93, 106, D26/113–116, 118, 120, 121, 138; D13/169, 174; D22/117; D8/305–312
CPC A01G 13/06; C11C 5/006; F21L 17/00; F21L 4/005; F23D 3/16; F23D 3/18; F21V 33/0064; F41B 15/022; F41B 15/025; H05B 35/00; F21K 9/232; F21K 9/237; F21K 9/238

See application file for complete search history.

In the drawings, the broken lines depict environmental subject matter only and form no part of the claimed design. Disclaimer: The glass plunger surrounding the filament, the lamp holder beneath the filament as well as the screw base are shown in broken lines because they are not part of the claimed design, but are considered necessary to show the environment in which the design is associated.

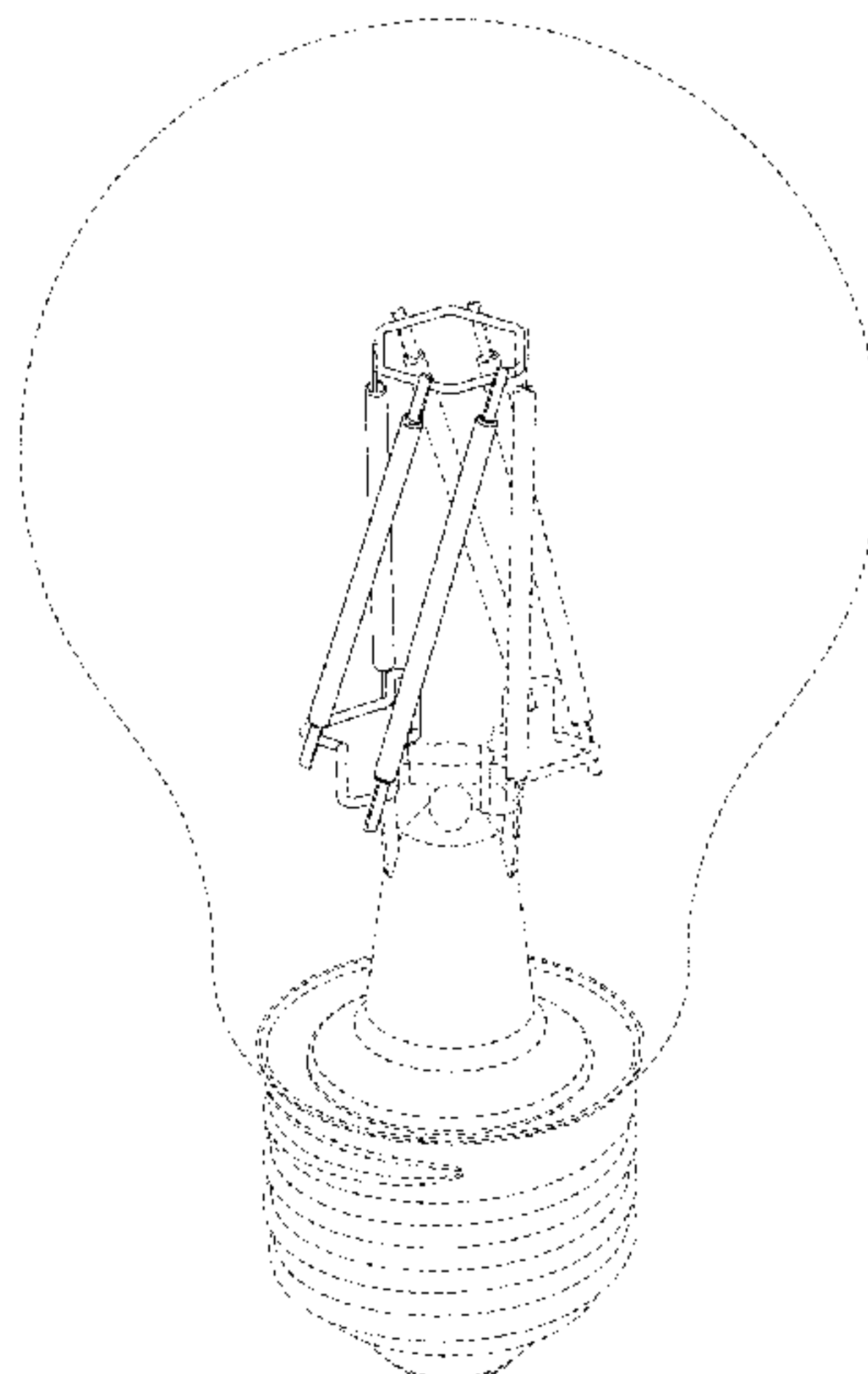
Secondly, in the center of the filament bulb several groups of vertically oriented LED wires are shown wherein each group contains of three LED wires. Only one group of three LED wires is shown in solid lines. The purpose of showing only one group of three LED wires in solid lines is that the second and any further group of three LED wires are identical to said group of three LED wires that is shown in solid lines. Therefore, any repetition of said group of three LED wires—that is shown in solid lines—is shown in broken lines.

(56) **References Cited**

U.S. PATENT DOCUMENTS

D689,215 S * 9/2013 Xue D26/2
D748,297 S * 1/2016 Ma D13/133
D759,854 S * 6/2016 Wang D26/2
D787,714 S * 5/2017 Wang D26/2

1 Claim, 7 Drawing Sheets



(56)

References Cited

U.S. PATENT DOCUMENTS

2017/0356602	A1*	12/2017	Lin	F21K 9/238
2018/0045380	A1*	2/2018	Li	F21K 9/237
2018/0080611	A1*	3/2018	Haberkorn	F21K 9/232
2018/0080612	A1*	3/2018	Haberkorn	F21K 9/232
2018/0106435	A1*	4/2018	Wu	F21K 9/237

* cited by examiner

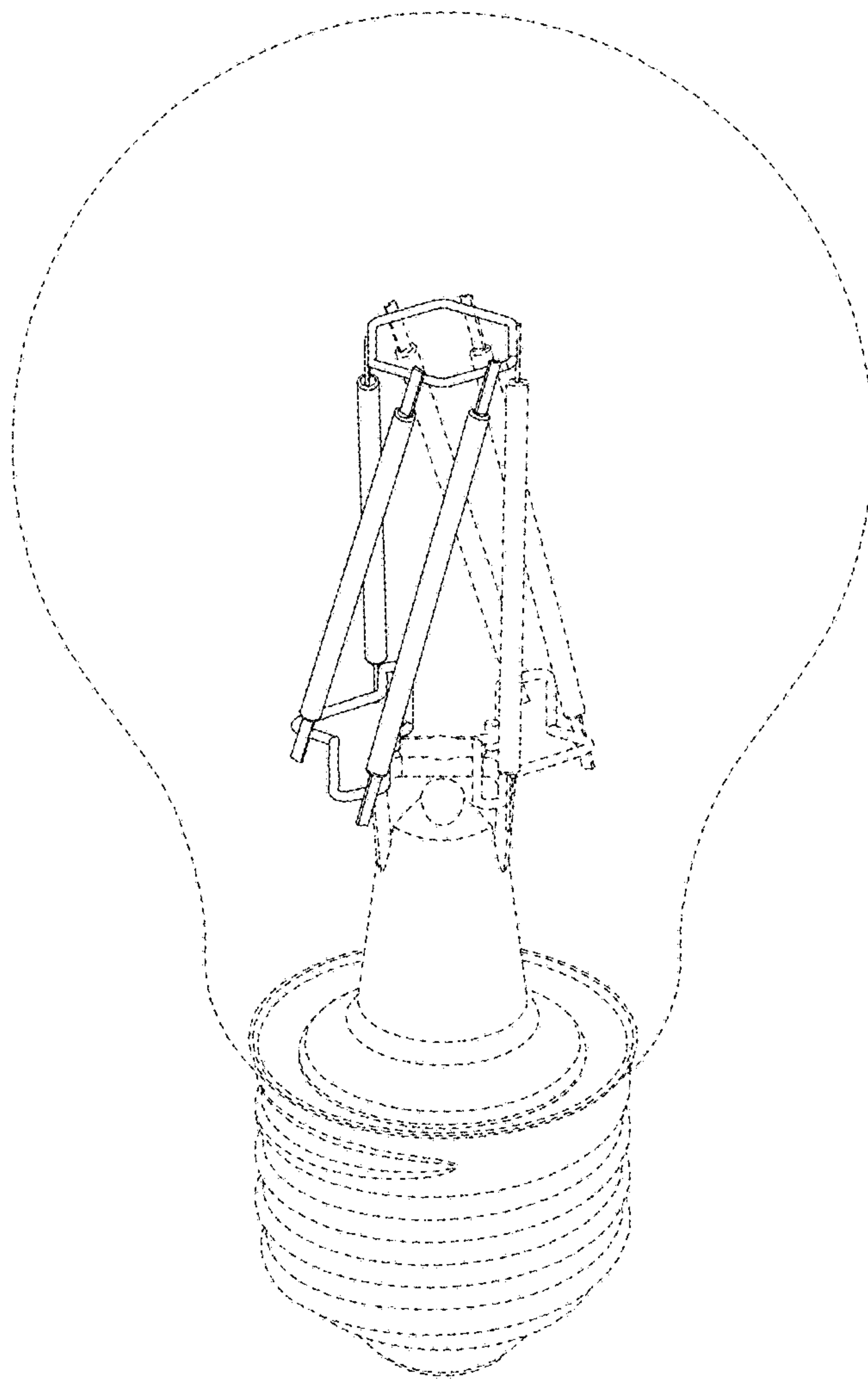


FIG. 1

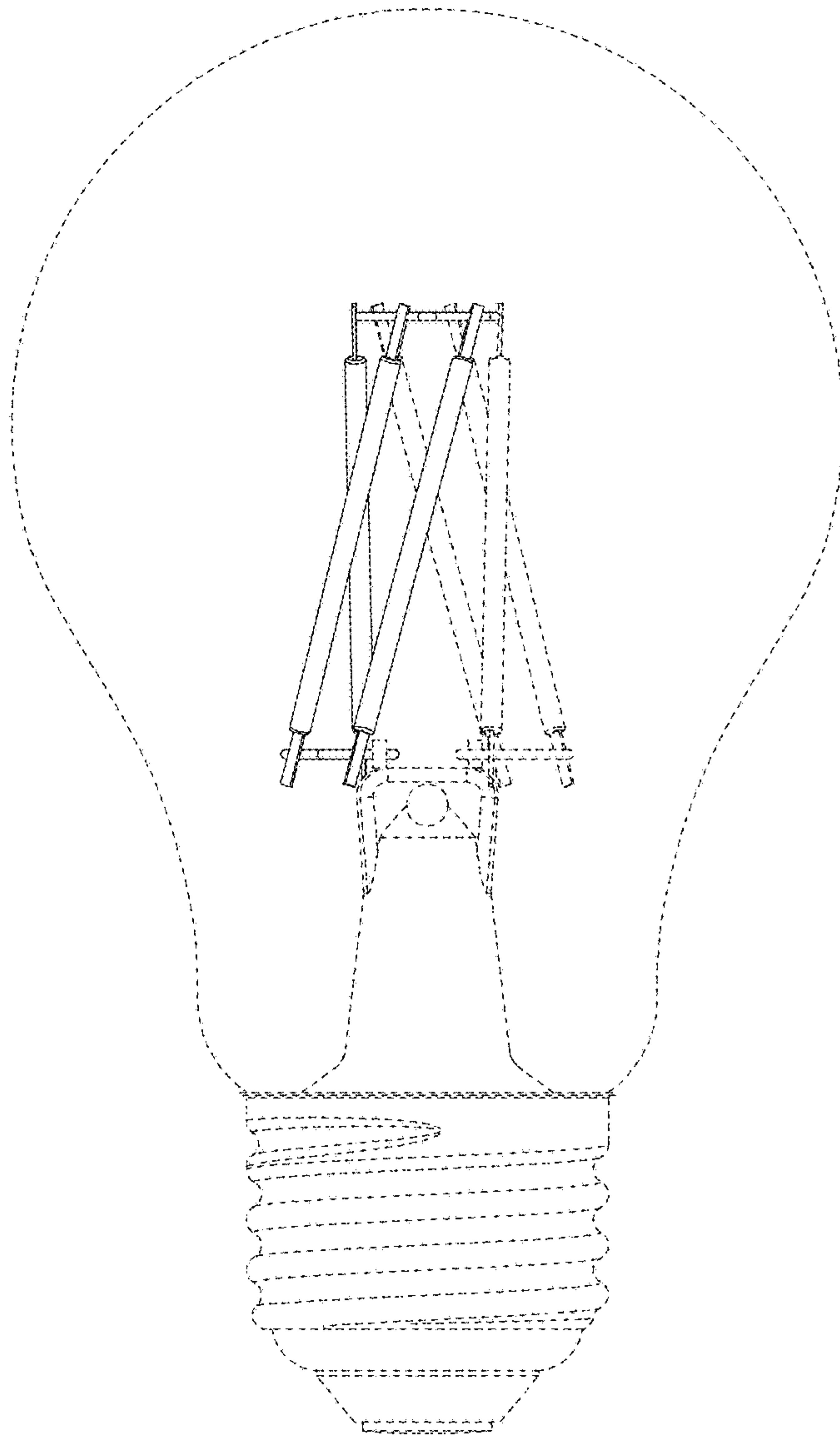


FIG. 2

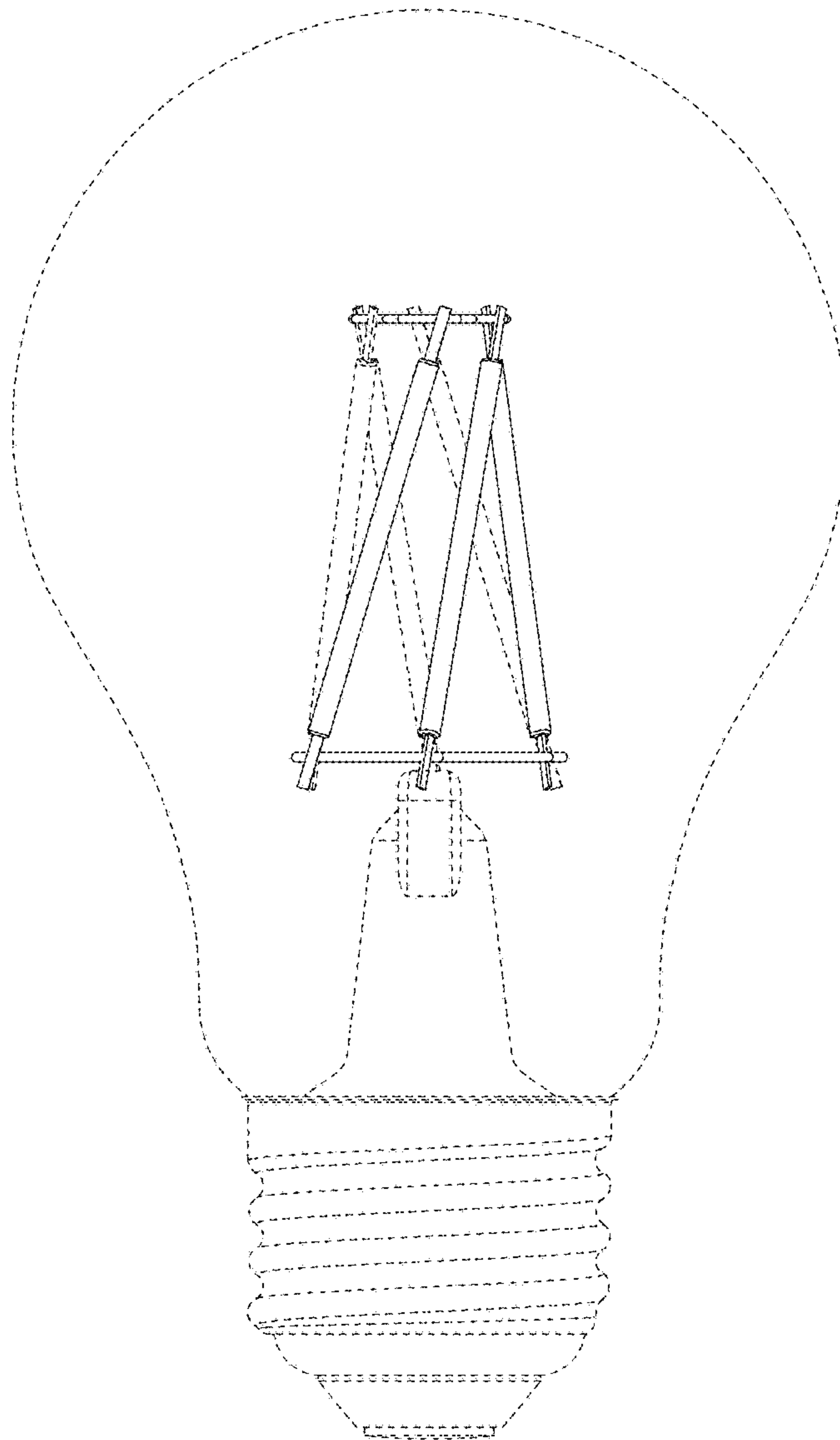


FIG. 3

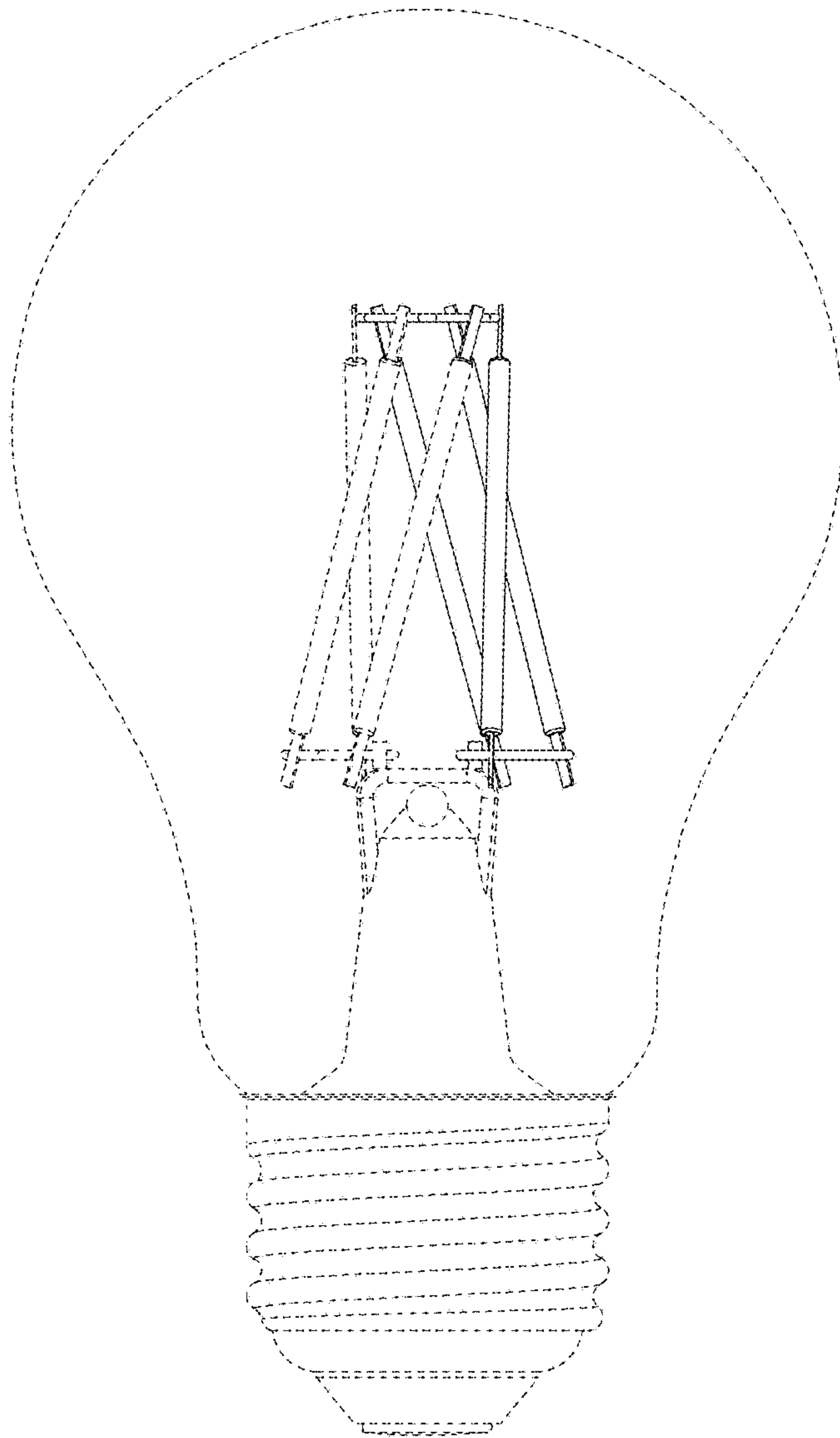


FIG. 4

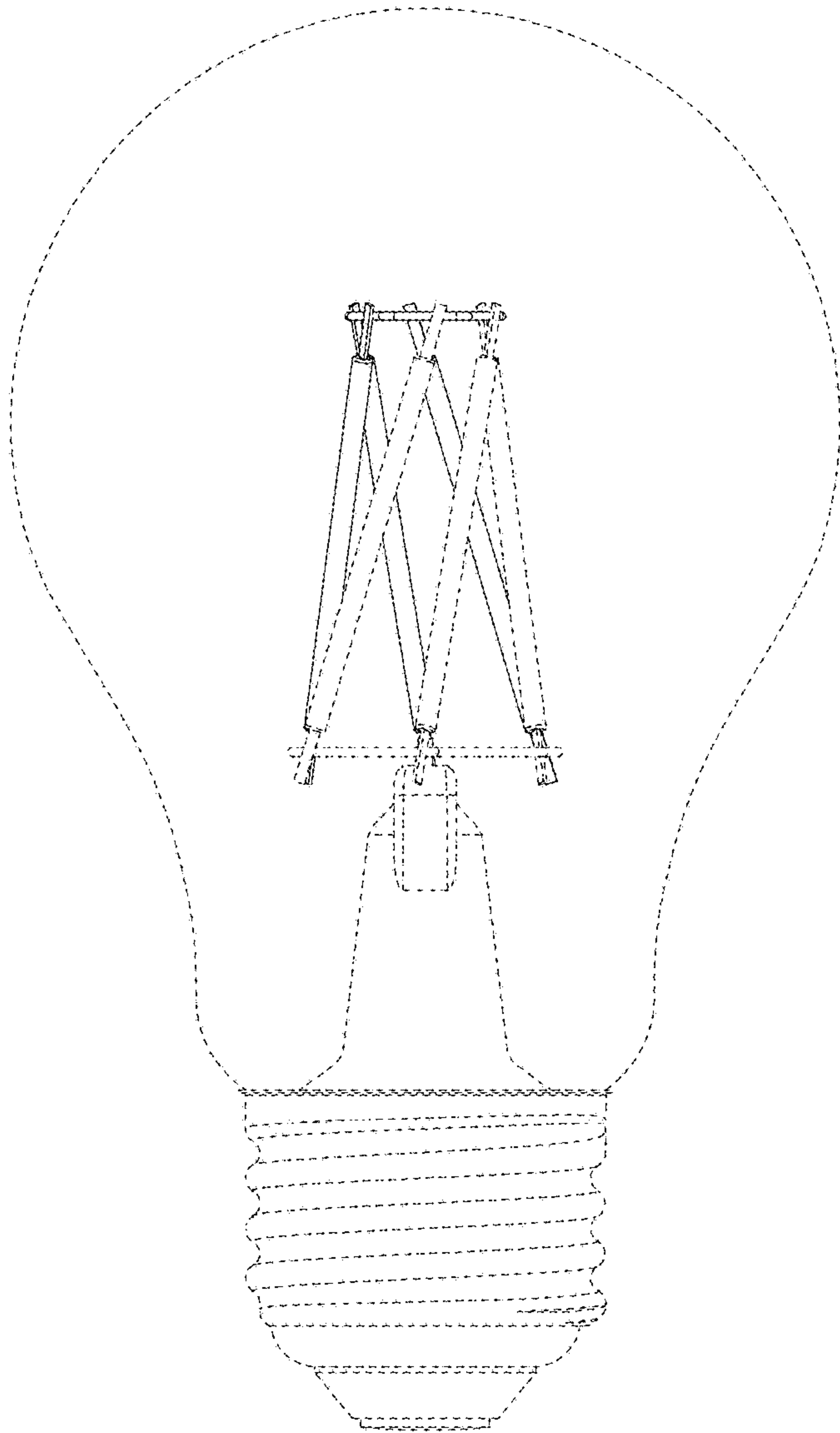


FIG. 5

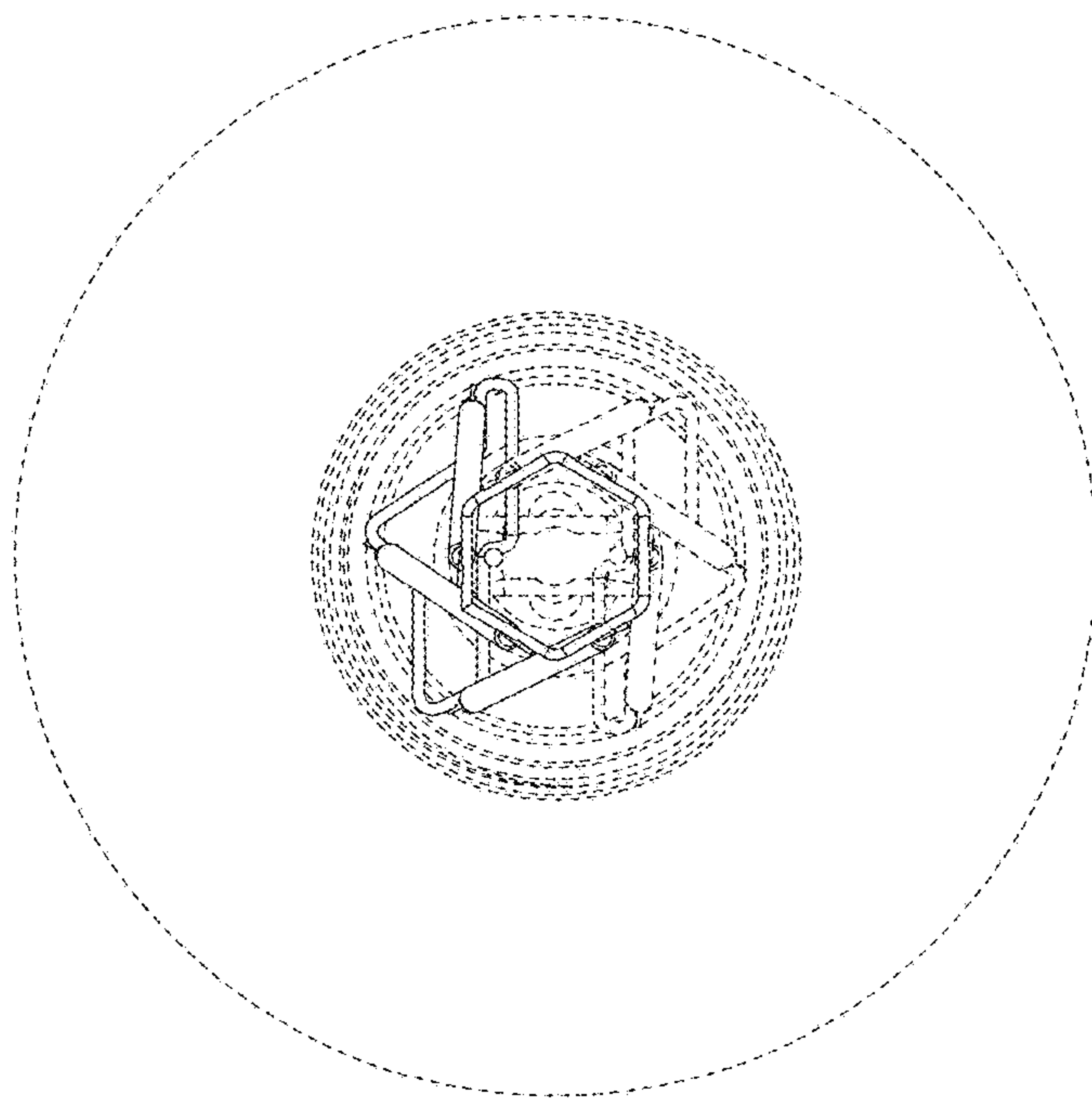


FIG. 6

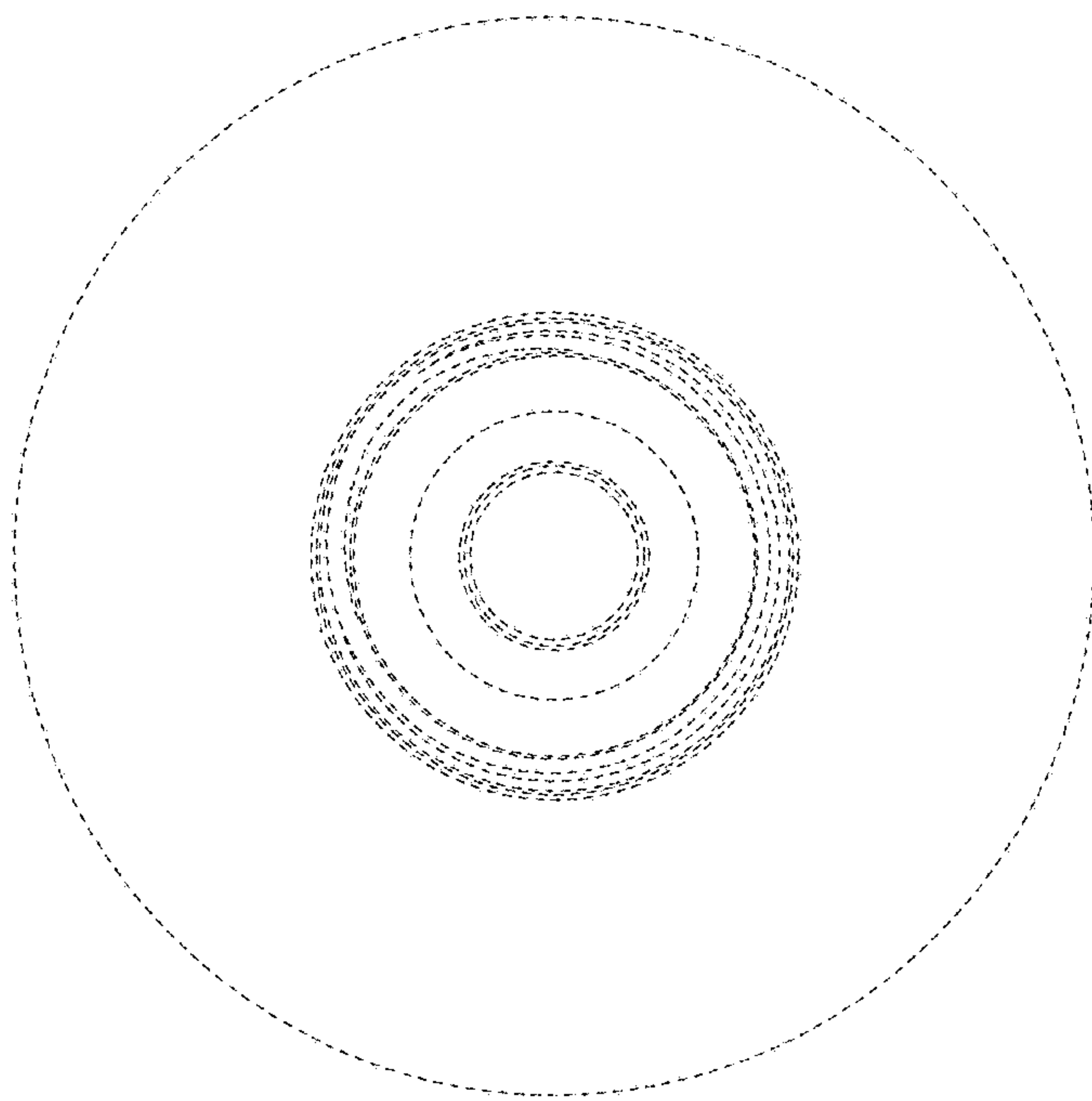


FIG. 7