



US00D838005S

(12) **United States Design Patent**
Záček et al.

(10) **Patent No.:** **US D838,005 S**
(45) **Date of Patent:** **** Jan. 8, 2019**

(54) **TRANSPORTABLE BUILDING**
(71) Applicant: **ECOCAPSULE S.R.O.**,
Bratislava—mestská cast Petržalka (SI)
(72) Inventors: **Tomás Záček**, Bratislava (SI); **Sona Pohlová**, Bratislava (SI); **Matej Pospíšil**, Bratislava (SI)

D220,685 S * 5/1971 Stineman D25/18
D220,686 S * 5/1971 Stineman D25/18
D220,873 S * 6/1971 Kelly et al. E04B 1/3211
D220,944 S * 6/1971 Thomson D25/17
D223,705 S * 5/1972 McCutcheon D25/16
D237,378 S * 10/1975 Ekuan D25/18
D244,949 S * 7/1977 Welker D25/19

(Continued)

(**) Term: **15 Years**
(21) Appl. No.: **35/504,166**
(22) Filed: **Aug. 25, 2017**

(80) **Hague Agreement Data**
Int. Filing Date: **Aug. 25, 2017**
Int. Reg. No.: **DM/098770**
Int. Reg. Date: **Aug. 25, 2017**
Int. Reg. Pub. Date: **Dec. 15, 2017**

(51) **LOC (11) Cl.** **25-03**
(52) **U.S. Cl.**
USPC **D25/18**
(58) **Field of Classification Search**
USPC D25/1, 16, 18, 19, 33
CPC ... E04H 6/02; E04H 6/04; E04B 1/343; E04B
1/34336
See application file for complete search history.

(56) **References Cited**
U.S. PATENT DOCUMENTS
D130,582 S * 12/1941 Kaufmann D25/18
D183,113 S * 7/1958 Bird D25/18
2,939,467 A * 6/1960 Meyer E04H 15/22
52/2.13
D197,507 S * 2/1964 Dreyfuss D25/18
3,284,969 A * 11/1966 Walters E04B 1/3211
52/578
3,480,023 A * 11/1969 McConnell E04H 15/62
135/118
D216,542 S * 2/1970 Dreyfuss 52/81.1
3,500,593 A * 3/1970 Kwake E04H 15/22
49/386

OTHER PUBLICATIONS

Webpage: Ecocapsule® Your new self-sustainable microhome. Undated, 5 pages. Found online Oct. 4, 2018 at <https://www.ecocapsule.sk/> (Year: 2018).*

Primary Examiner — Robert M. Spear

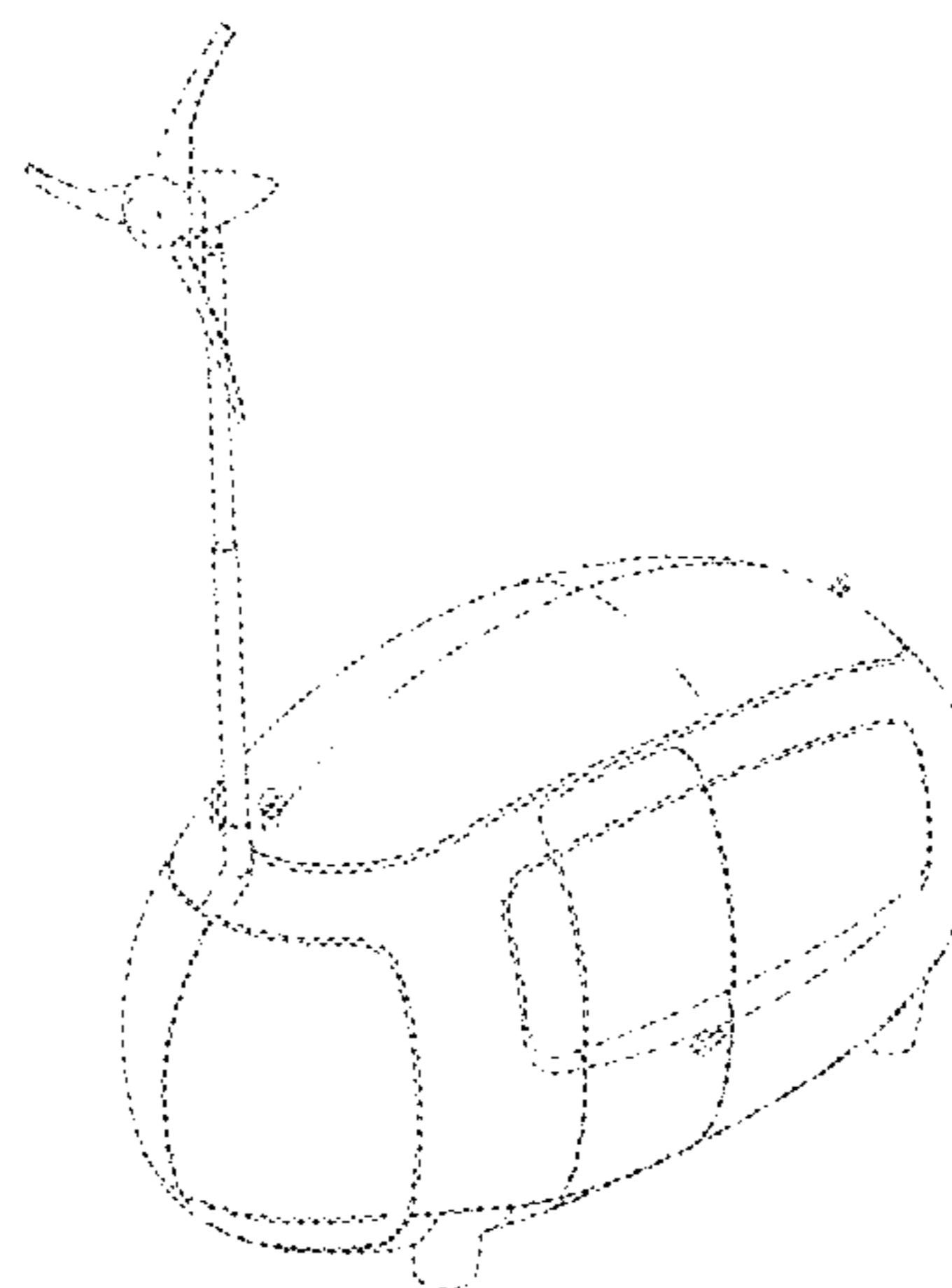
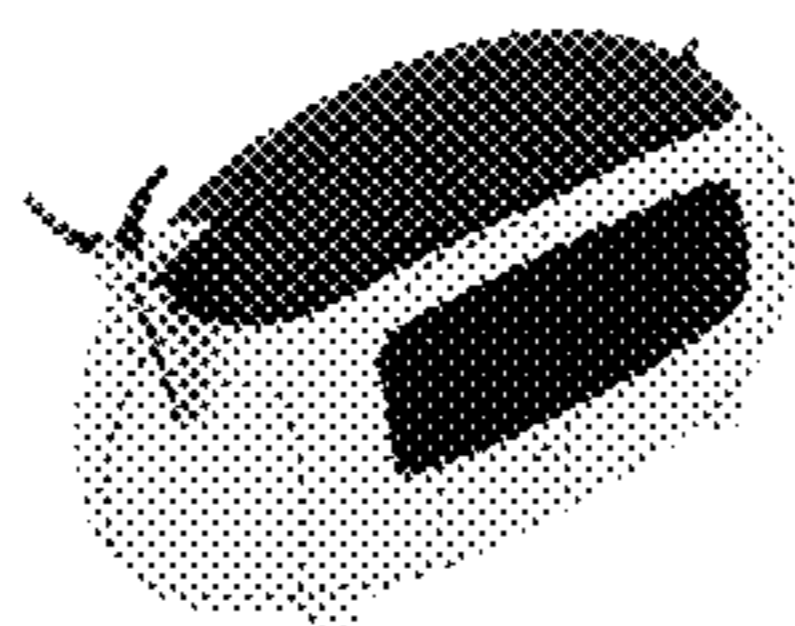
(57) **CLAIM**

The ornamental design for a transportable building, as shown and described.

DESCRIPTION

- 1.-2. Buildings Portable cabins, intelligent homes.
- 1.1 —Top left front perspective view of a first embodiment;
- 1.2 —Rear elevational view thereof;
- 1.3 —Front elevational view thereof;
- 1.4 —Left side elevational view thereof;
- 1.5 —Right side elevational view thereof;
- 1.6 —Top right rear perspective view thereof;
- 1.7 —Top left rear perspective view thereof with the wind turbine in an alternate position of use;
- 2.1 —Top left front perspective view of a second embodiment;
- 2.2 —Rear elevational view thereof;
- 2.3 —Right side elevational view thereof;
- 2.4 —Left side elevational view thereof;
- 2.5 —Front elevational view thereof;
- 2.6 —Top right rear perspective view thereof with the wind turbine in an alternate position of use;
- 2.7 —Top left rear perspective view thereof.

1 Claim, 14 Drawing Sheets



(56)

References Cited

U.S. PATENT DOCUMENTS

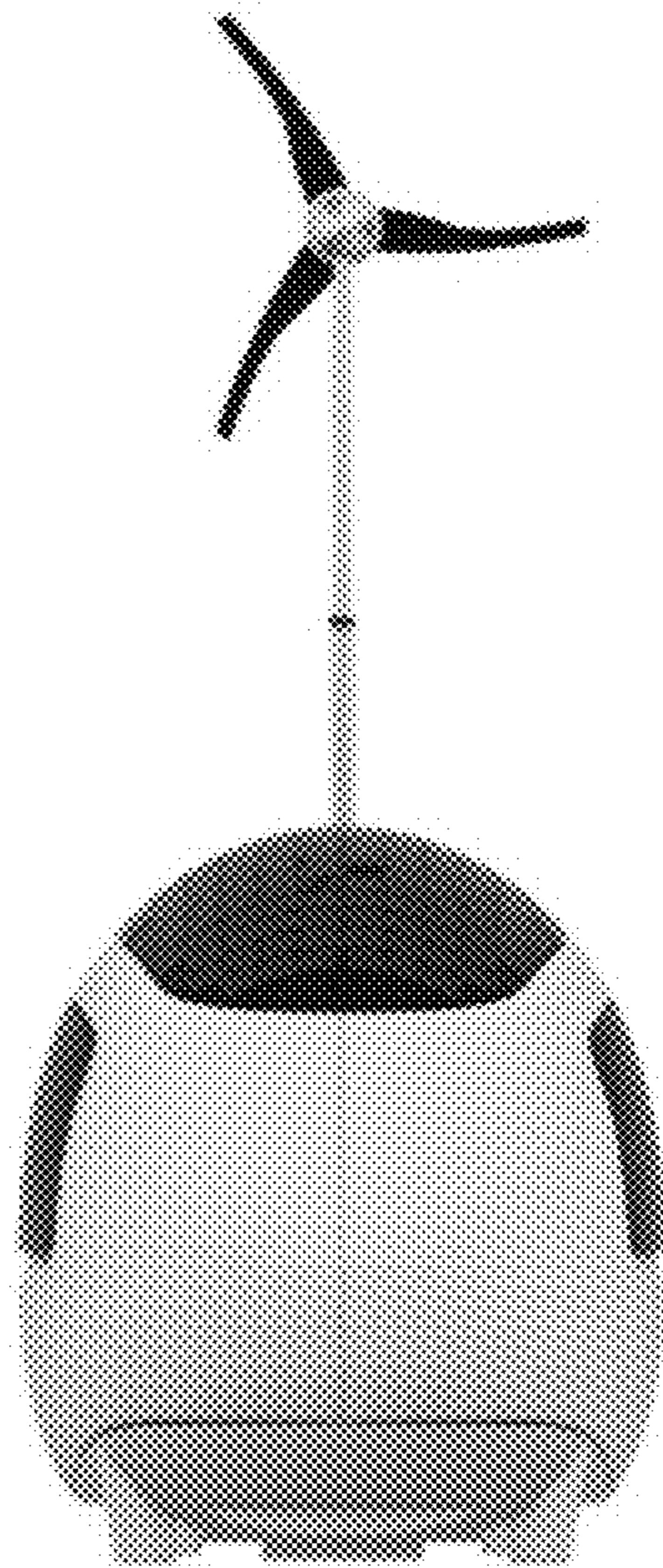
D251,068 S * 2/1979 Mills D25/1
D254,573 S * 3/1980 Han D23/202
D262,912 S * 2/1982 Therien D25/1
4,765,103 A * 8/1988 Clarke E04B 1/3205
52/590.2
D334,984 S * 4/1993 Cholot D25/1
D402,038 S * 12/1998 Al-Sabah D25/18
D482,423 S * 11/2003 Newsome D21/835
D659,851 S * 5/2012 Vanleysen D25/18
D663,857 S * 7/2012 Marshall, Sr. D25/11
D681,847 S * 5/2013 Maenpaa E04H 15/22
D25/18
D756,041 S * 5/2016 Robbins, III D25/19
D780,871 S * 3/2017 Akkad D21/838

* cited by examiner

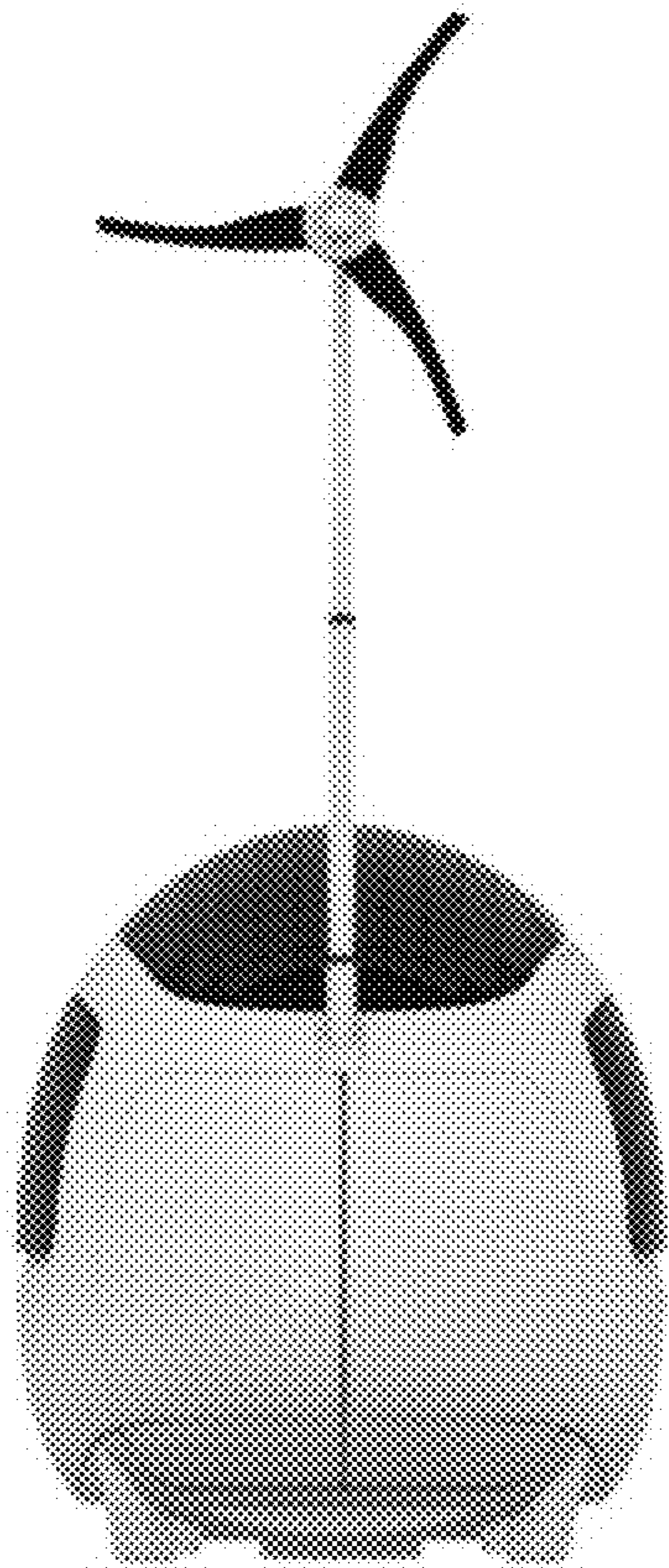
1.1



1.2



1.3



1.4



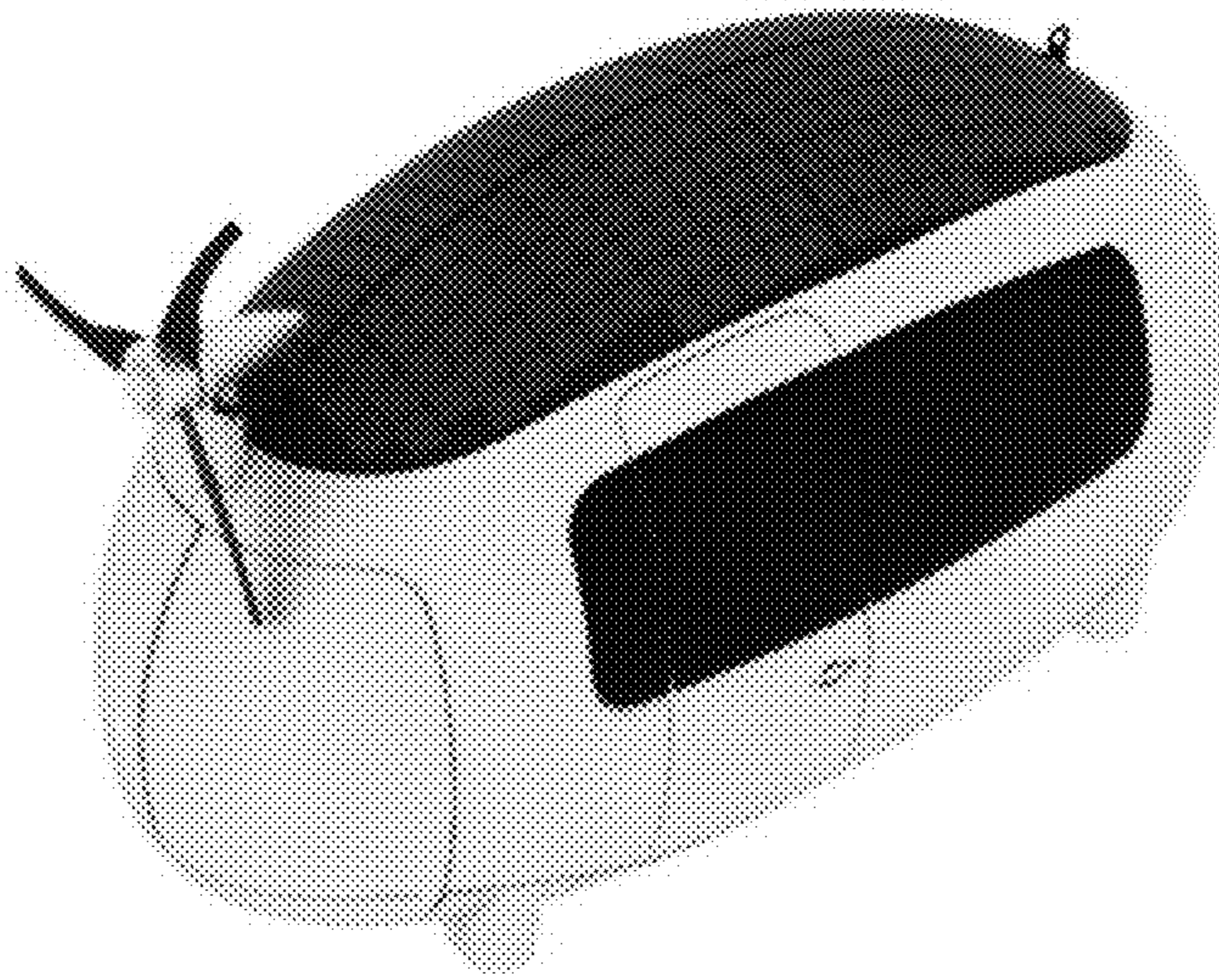
1.5



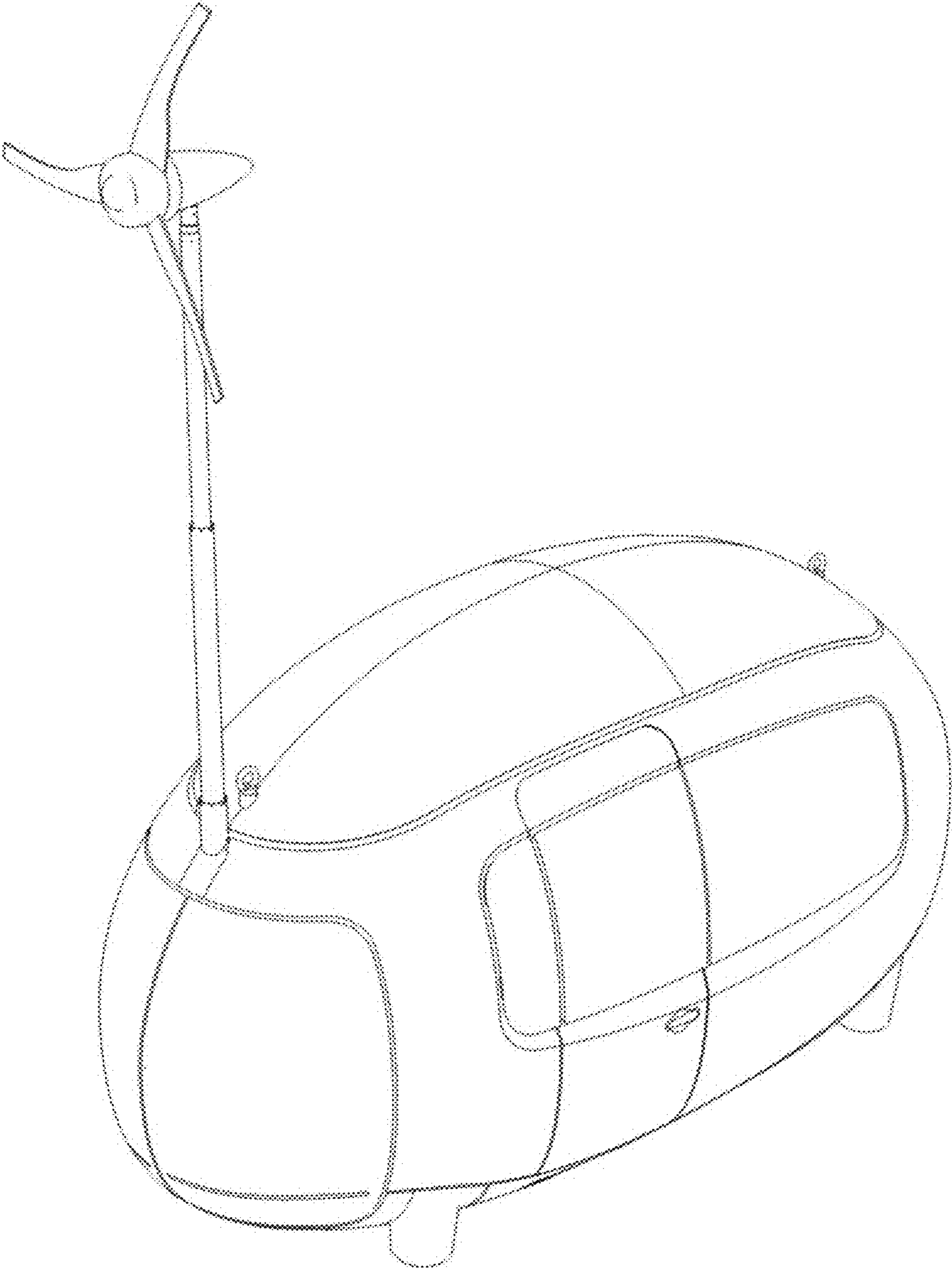
1.6



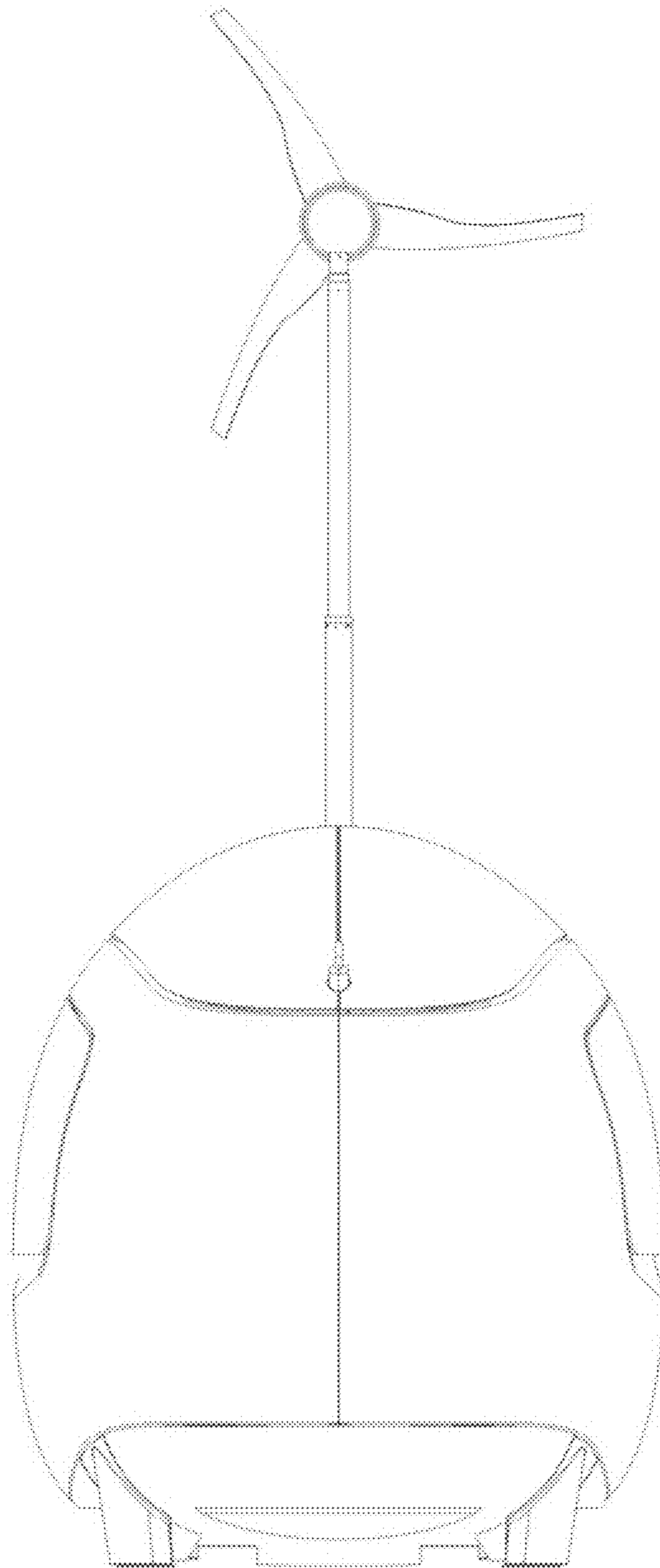
1.7



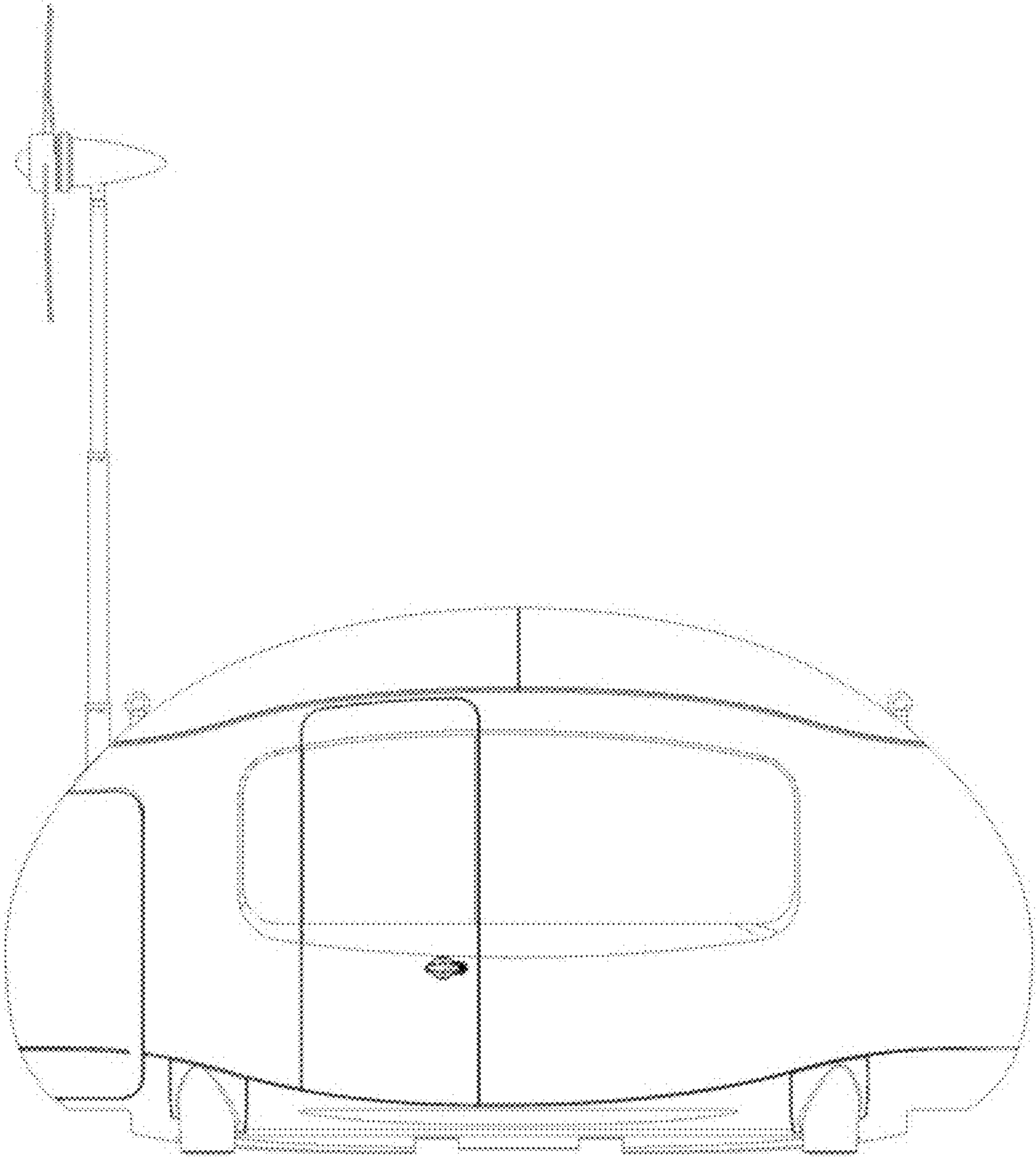
2.1



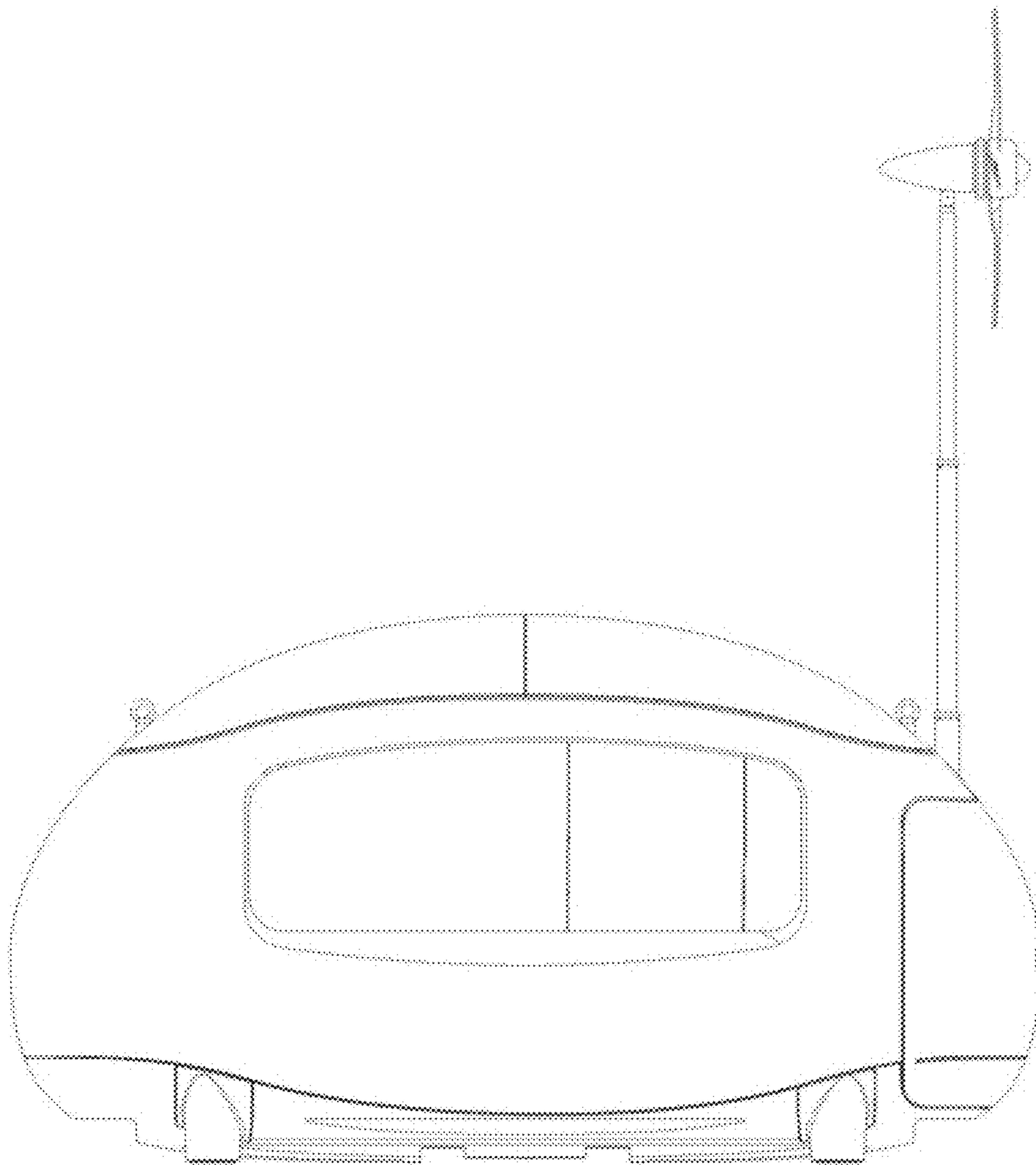
2.2



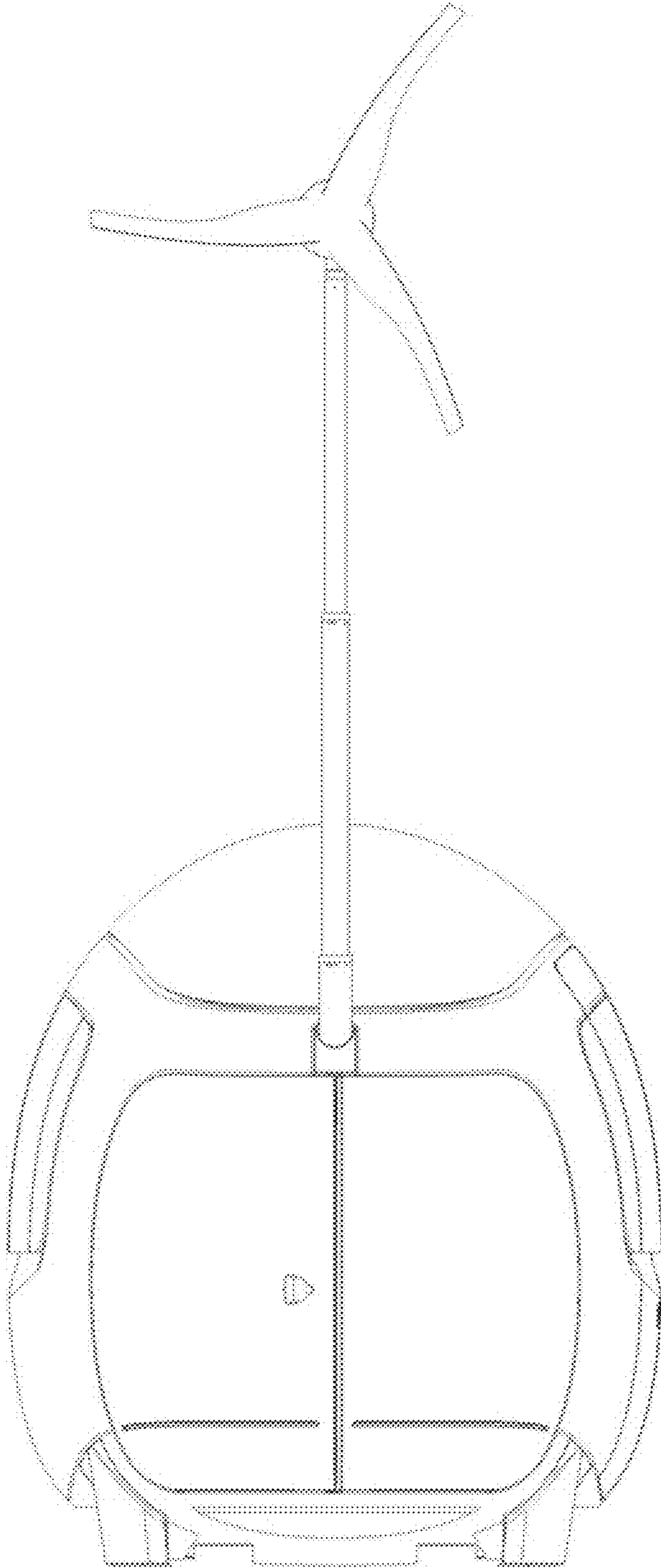
2.3



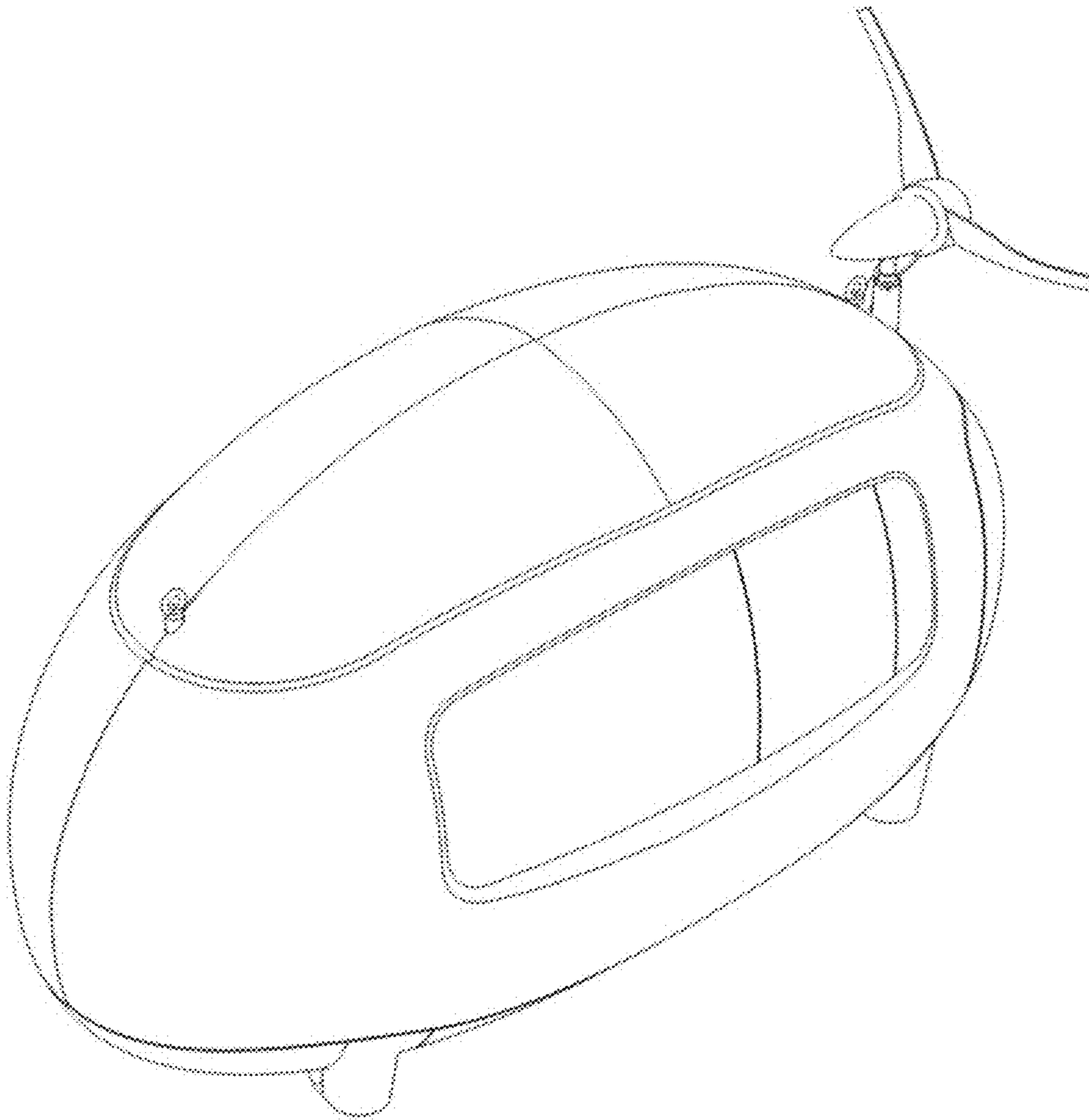
2.4



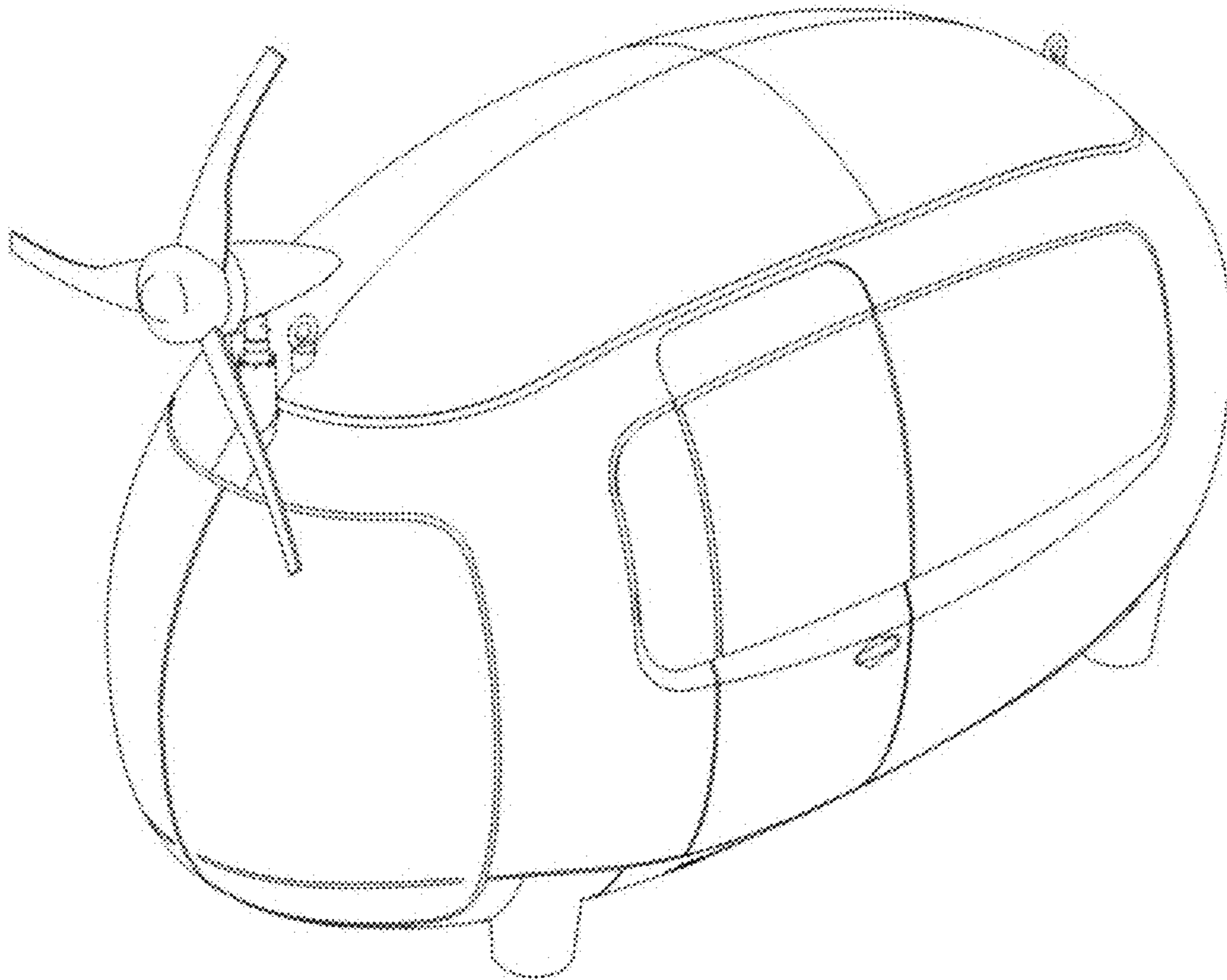
2.5



2.6



2.7



UNITED STATES PATENT AND TRADEMARK OFFICE
CERTIFICATE OF CORRECTION

PATENT NO. : D838,005 S
APPLICATION NO. : 35/504166
DATED : January 8, 2019
INVENTOR(S) : Tomáš Záček et al.

Page 1 of 1

It is certified that error appears in the above-identified patent and that said Letters Patent is hereby corrected as shown below:

On the Title Page

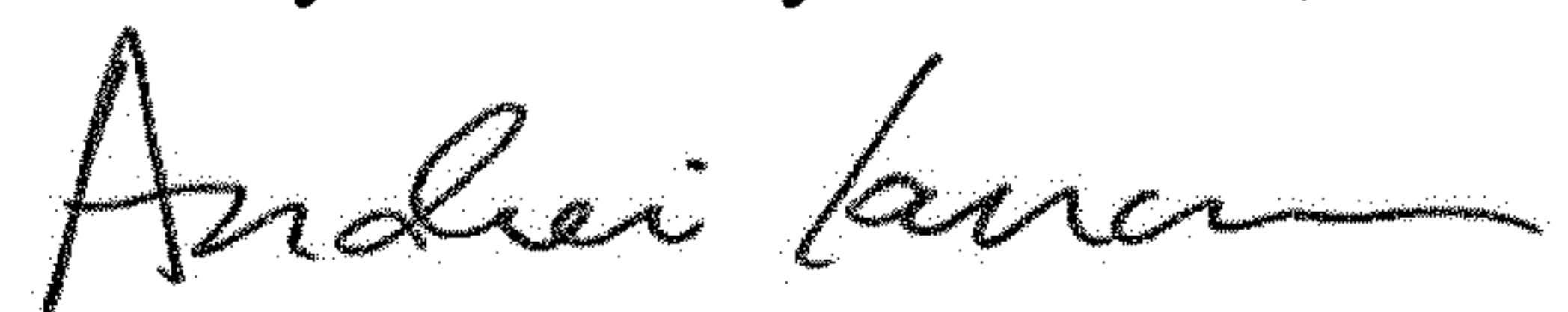
Item (72), change:

“Tomáš Záček, Bratislava (SI); Sona Pohlová, Bratislava (SI); Matej Pospíšil , Bratislava (SI)”

To:

-- Tomáš Záček, Bratislava (SK); Sona Pohlová, Bratislava (SK); Matej Pospíšil, Bratislava (SK) --

Signed and Sealed this
Twenty-sixth Day of March, 2019



Andrei Iancu
Director of the United States Patent and Trademark Office