



US00D838002S

(12) **United States Design Patent** (10) **Patent No.:** **US D838,002 S**  
**Ito et al.** (45) **Date of Patent:** **\*\* Jan. 8, 2019**

(54) **SUBSTRATE FOR SPECTROSCOPIC ANALYSIS**

(71) Applicant: **HAMAMATSU PHOTONICS K.K.**,  
Shizuoka (JP)  
(72) Inventors: **Masashi Ito**, Hamamatsu (JP);  
**Katsumi Shibayama**, Hamamatsu (JP);  
**Kazuto Ofuji**, Hamamatsu (JP);  
**Yoshihiro Maruyama**, Hamamatsu  
(JP); **Mitsuhiro Ito**, Hamamatsu (JP);  
**Toshiyuki Nagata**, Hamamatsu (JP);  
**Hisashi Takamori**, Hamamatsu (JP)

(73) Assignee: **HAMAMATSU PHOTONICS K.K.**,  
Hamamatsu-shi, Shizuoka (JP)

(\*\*) Term: **15 Years**

(21) Appl. No.: **35/502,705**

(22) Filed: **Sep. 30, 2016**

(80) **Hague Agreement Data**

Int. Filing Date: **Sep. 30, 2016**  
Int. Reg. No.: **DM/092890**  
Int. Reg. Date: **Sep. 30, 2016**  
Int. Reg. Pub. Date: **Mar. 31, 2017**

(30) **Foreign Application Priority Data**

Apr. 27, 2016 (JP) ..... 2016-009306  
Apr. 27, 2016 (JP) ..... 2016-009307

(51) **LOC (11) Cl.** ..... **24-02**

(52) **U.S. Cl.**  
USPC ..... **D24/225**  
CPC ..... **G02B 21/00** (2013.01)

(58) **Field of Classification Search**

USPC ..... D16/130, 131; D24/225-227, 229-231;  
356/244-246; 359/391-398  
CPC .... G02B 21/34; G02B 21/00; G02B 21/0004;  
G01N 1/28; G01N 1/30; G01N 1/2806;  
G01N 1/312; B01L 3/502723; B01L  
3/502738; B01L 3/5085

See application file for complete search history.

(56) **References Cited**

U.S. PATENT DOCUMENTS

3,736,042 A 5/1973 Markovits et al.  
D273,898 S 5/1984 Valencia  
D274,261 S 6/1984 Valencia  
4,761,381 A \* 8/1988 Blatt ..... B01L 3/502738  
356/246  
D302,294 S \* 7/1989 Hillman ..... D24/223  
D320,269 S \* 9/1991 Hammond ..... D24/225  
D324,426 S \* 3/1992 Fan ..... D24/223  
D328,135 S \* 7/1992 Fan ..... D24/216  
D351,913 S \* 10/1994 Hieb ..... D24/169  
D366,938 S \* 2/1996 Shartle ..... D24/223  
D383,852 S \* 9/1997 Shartle ..... D24/216

(Continued)

*Primary Examiner* — Richard E Chilcot

(57) **CLAIM**

The ornamental design for a substrate for spectroscopic analysis, as shown and described.

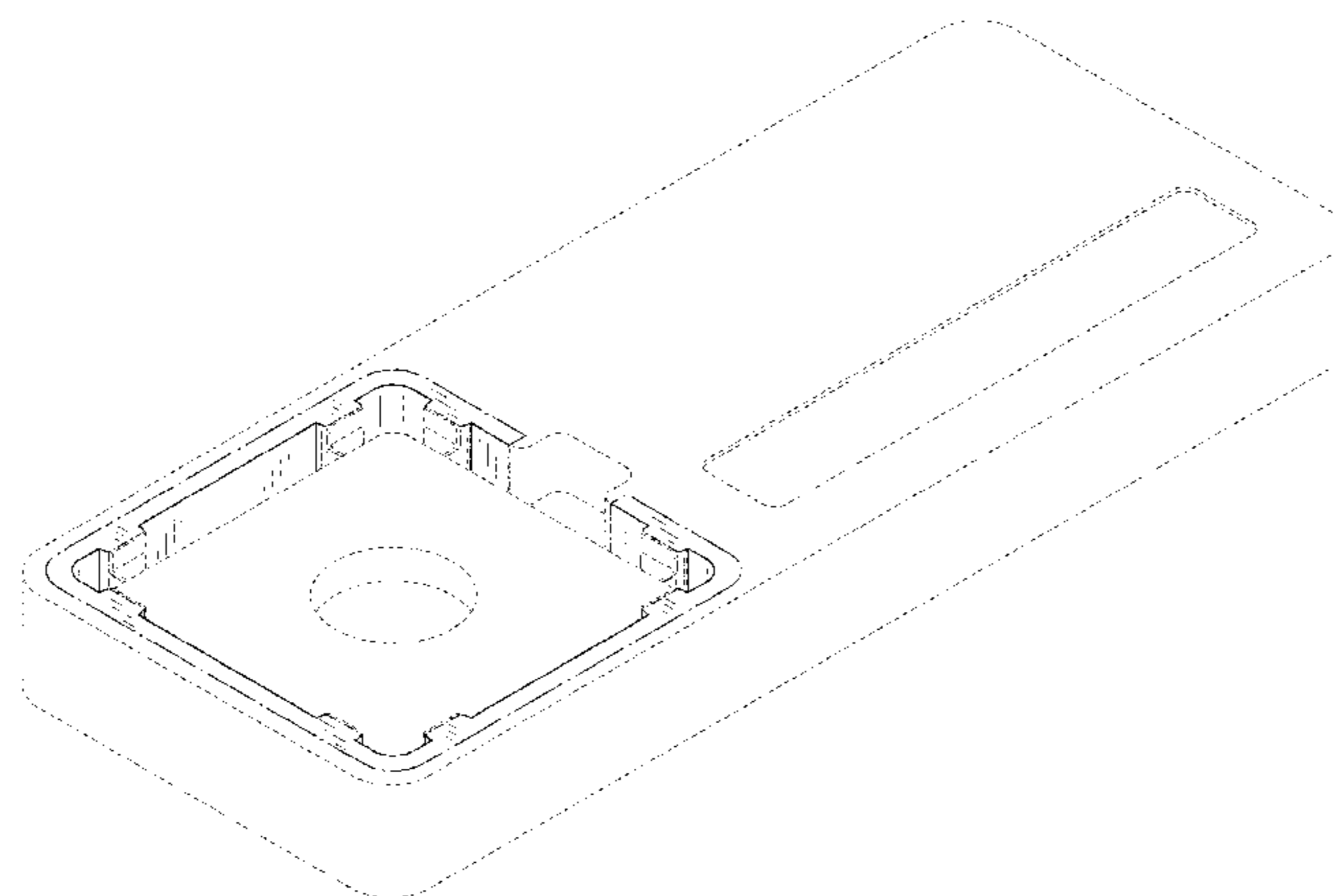
**DESCRIPTION**

1. Substrate for spectroscopic analysis  
1.1 : Perspective  
1.2 : Front  
1.3 : Back  
1.4 : Top  
1.5 : Bottom  
1.6 : Left  
1.7 : Right  
1.8 : SECTIONAL VIEW  
1.9 : SECTIONAL VIEW  
1.10 : PERSPECTIVE VIEW WITHOUT THE COVER PART

The broken line showing the substrate for spectroscopic analysis is for the purpose of illustrating environmental structure and forms no part of the claimed design.

The dot-dash broken lines define the bounds of the claimed design and form no part thereof.

**1 Claim, 10 Drawing Sheets**



(56)

References Cited

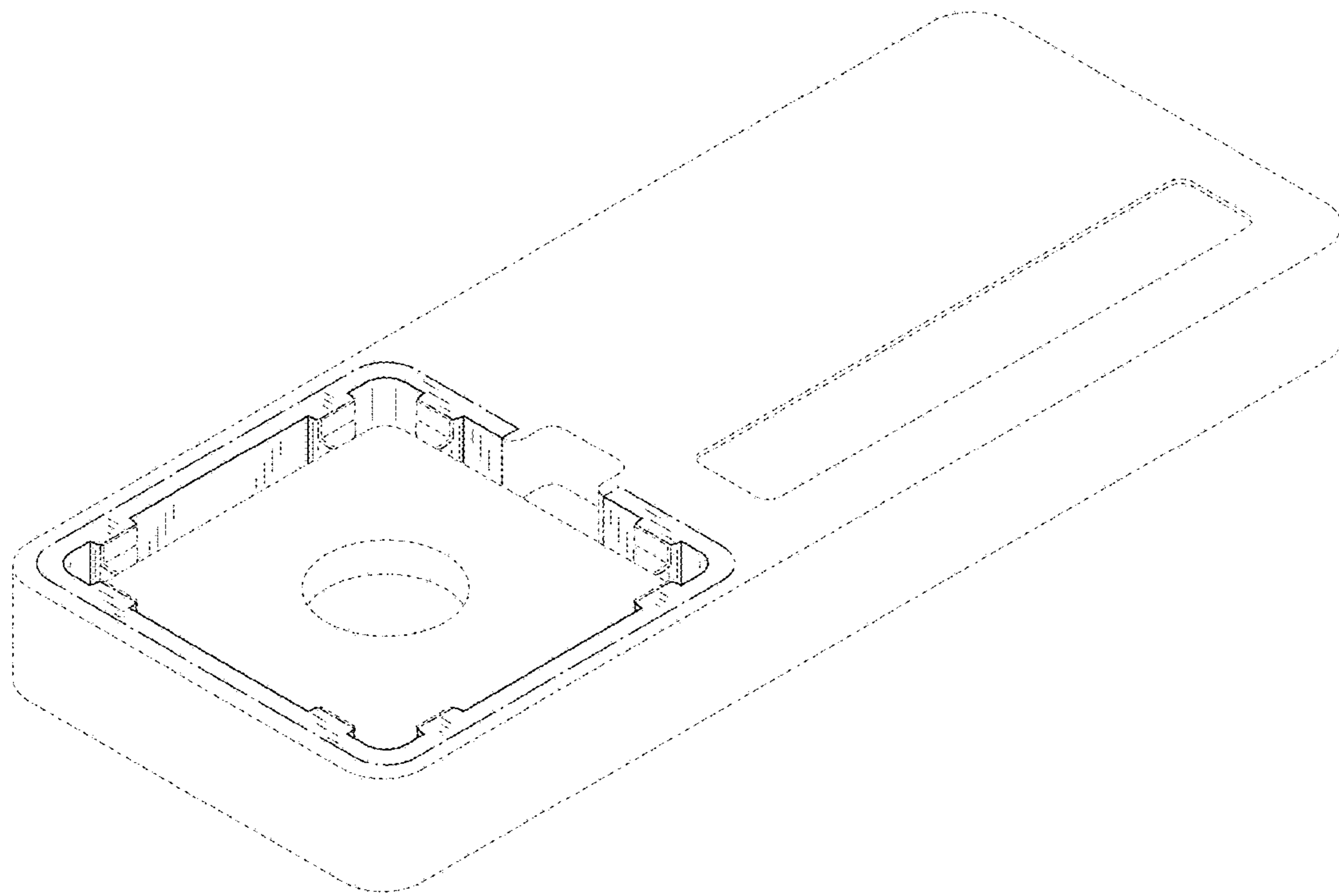
U.S. PATENT DOCUMENTS

D395,708 S \* 6/1998 Shartle ..... D24/216  
 5,784,193 A 7/1998 Ferguson  
 5,812,312 A 9/1998 Lorincz  
 D461,906 S \* 8/2002 Pham ..... D24/225  
 D467,348 S \* 12/2002 McMichael ..... D24/216  
 D500,142 S \* 12/2004 Crisanti ..... D24/216  
 D512,512 S \* 12/2005 Bell ..... D24/225  
 D528,215 S \* 9/2006 Malmsater ..... D24/216  
 D530,826 S \* 10/2006 Rich ..... D24/225  
 D531,321 S \* 10/2006 Godfrey ..... D24/225  
 D540,953 S \* 4/2007 Ramel ..... D24/224  
 D559,995 S \* 1/2008 Handique ..... D24/232  
 D621,060 S \* 8/2010 Handique ..... D24/225  
 D636,893 S \* 4/2011 Nicholls ..... D24/225  
 D639,976 S \* 6/2011 Francis ..... D24/225  
 D639,977 S \* 6/2011 Francis ..... D24/225  
 D640,389 S \* 6/2011 Francis ..... D24/225  
 D669,191 S \* 10/2012 Handique ..... D24/225  
 8,330,951 B2 \* 12/2012 Li ..... G01N 21/658  
 356/301

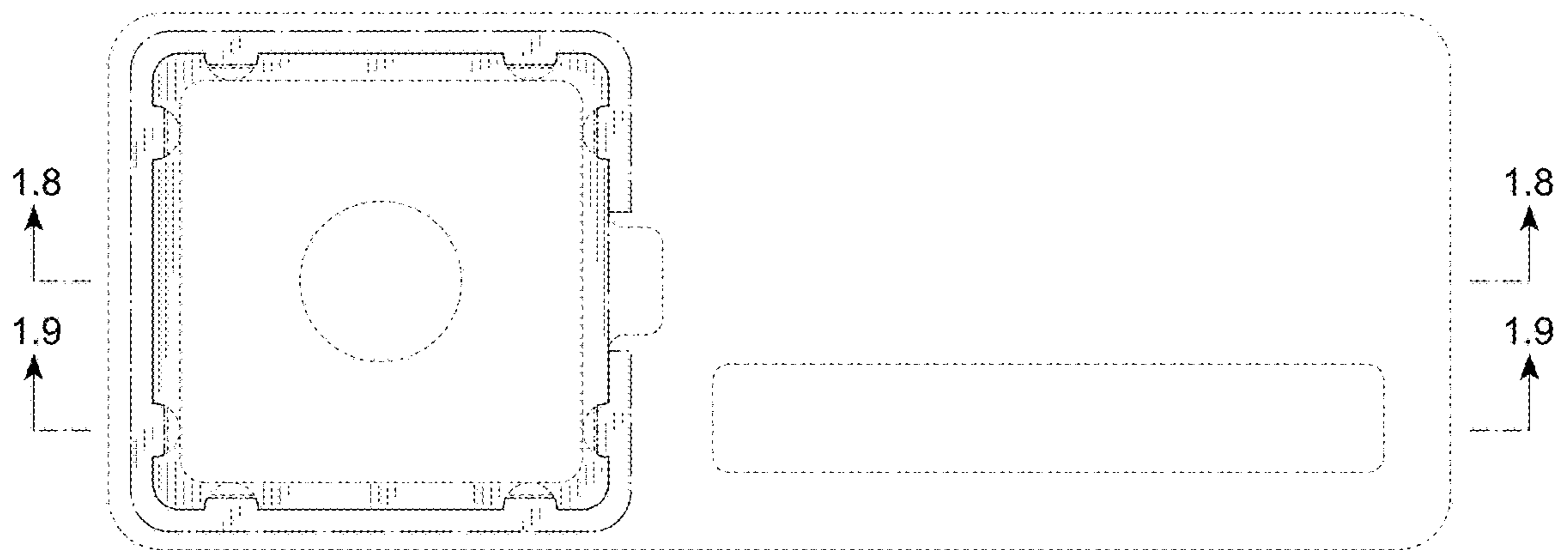
D676,145 S \* 2/2013 Kouge ..... D24/225  
 D679,024 S \* 3/2013 Kouge ..... D24/225  
 D683,045 S 5/2013 Domack  
 D692,578 S \* 10/2013 Kikuhara ..... D24/216  
 D700,711 S \* 3/2014 Kikuhara ..... D24/216  
 D702,364 S \* 4/2014 Iqbal ..... D24/225  
 8,709,787 B2 \* 4/2014 Handique ..... B01L 3/502723  
 435/283.1  
 D733,911 S \* 7/2015 Ito ..... D24/225  
 D733,912 S \* 7/2015 Ito ..... D24/225  
 D733,913 S \* 7/2015 Ito ..... D24/225  
 D735,877 S 8/2015 Chang  
 D739,954 S \* 9/2015 Ito ..... D24/225  
 D740,439 S \* 10/2015 Ito ..... D24/225  
 D740,440 S \* 10/2015 Ito ..... D24/225  
 D750,799 S \* 3/2016 Ito ..... D24/225  
 D750,800 S \* 3/2016 Ito ..... D24/225  
 D754,871 S \* 4/2016 Morrell-Falvey ..... D24/225  
 D762,874 S \* 8/2016 Ito ..... D24/225  
 2005/0237607 A1 10/2005 Tenney  
 2011/0268630 A1 \* 11/2011 Williams ..... B01L 3/5085  
 422/560

\* cited by examiner

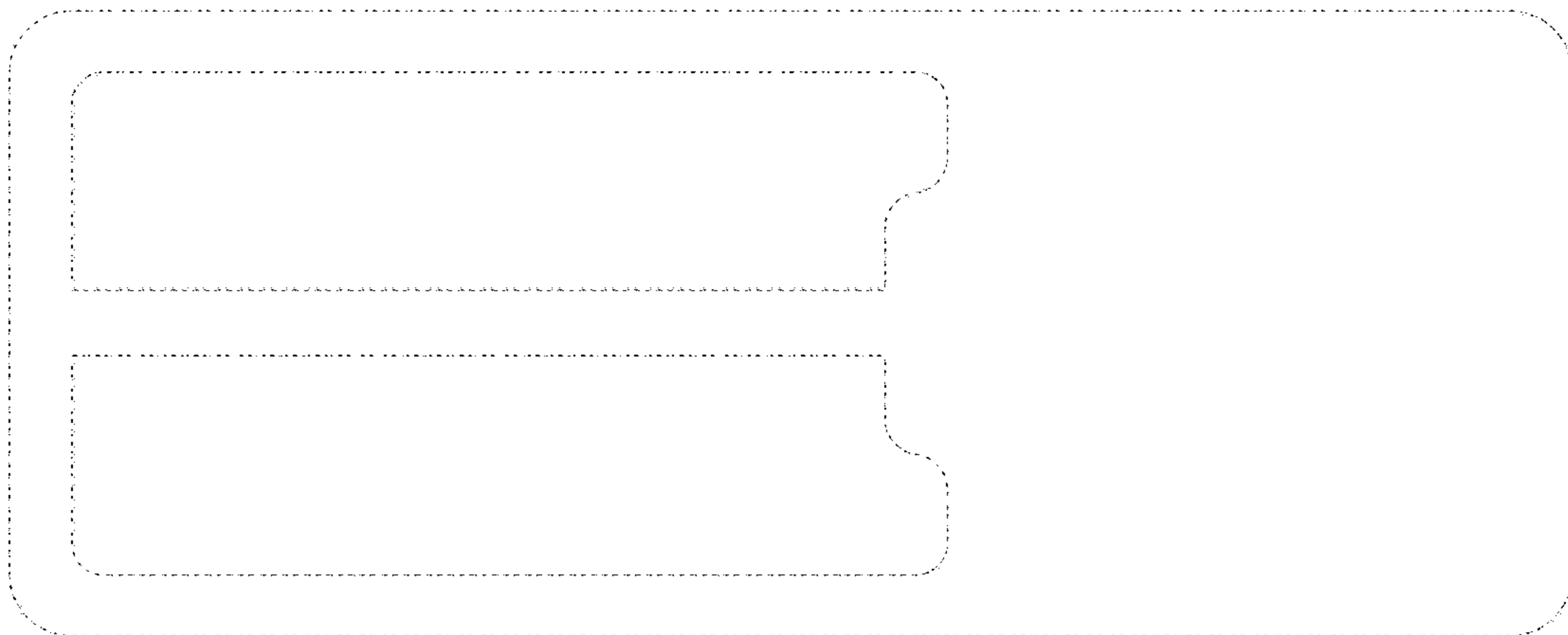
1.1



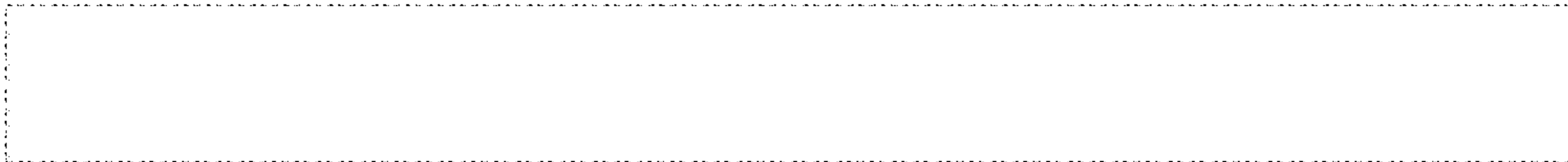
1.2



1.3



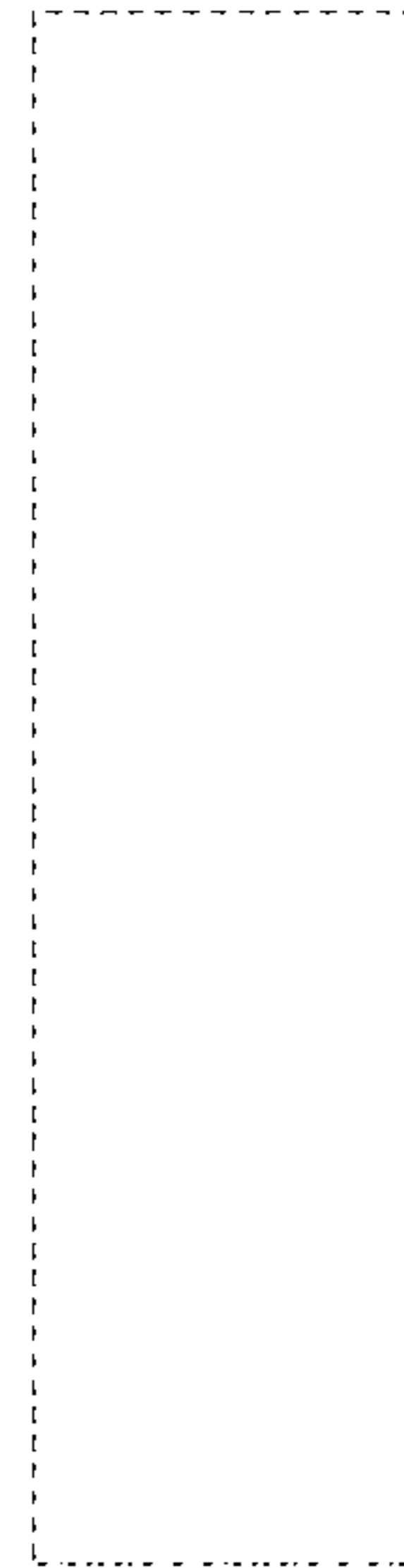
1.4



1.5

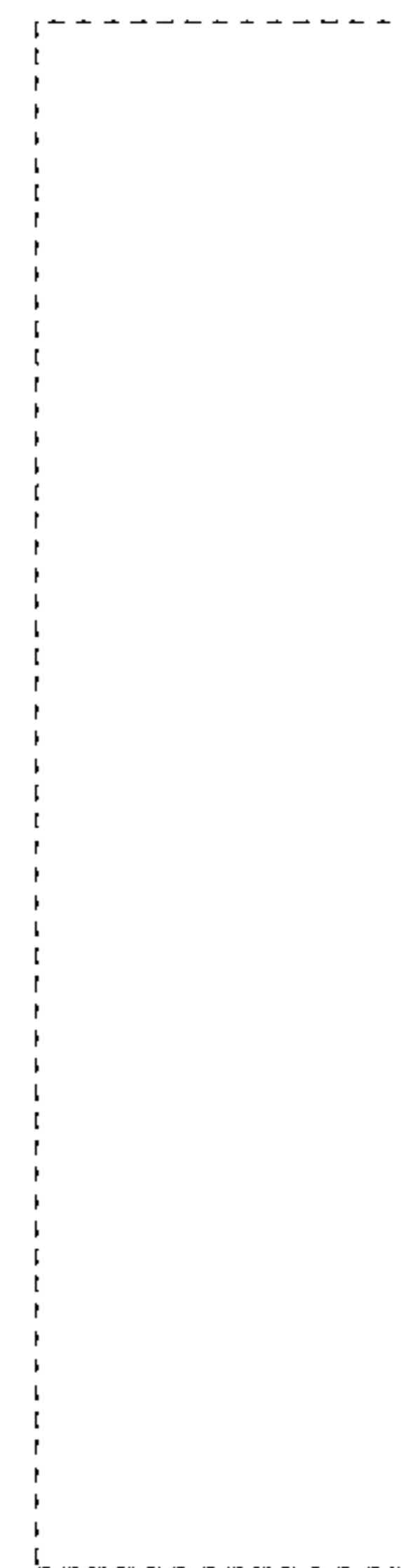


1.6

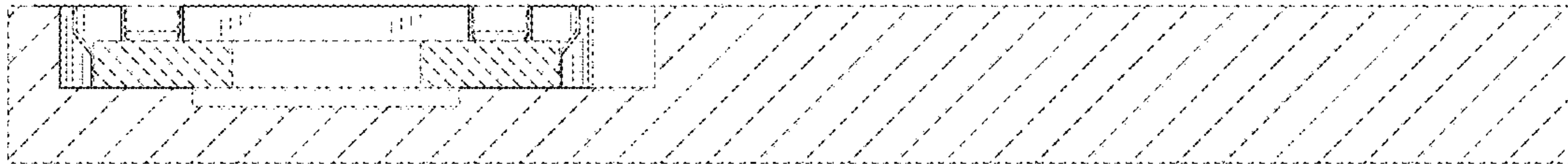




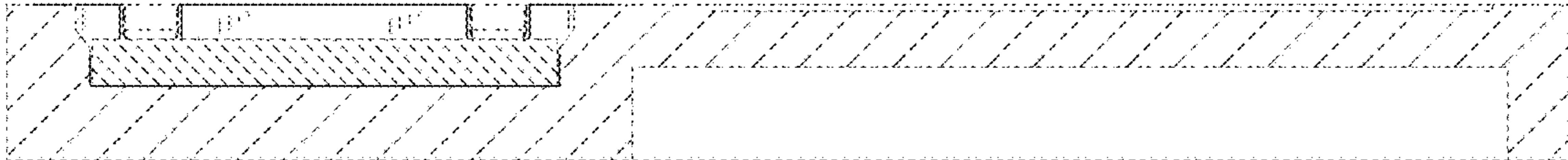
**1.7**



1.8



1.9



1.10

