



US00D838001S

(12) **United States Design Patent** (10) **Patent No.:** **US D838,001 S**
Ito et al. (45) **Date of Patent:** **** Jan. 8, 2019**

(54) **SUBSTRATE FOR SPECTROSCOPIC ANALYSIS**

(71) Applicant: **HAMAMATSU PHOTONICS K.K.**,
Shizuoka (JP)

(72) Inventors: **Masashi Ito**, Hamamatsu (JP);
Katsumi Shibayama, Hamamatsu (JP);
Kazuto Ofuji, Hamamatsu (JP);
Yoshihiro Maruyama, Hamamatsu
(JP); **Mitsuhiro Ito**, Hamamatsu (JP)

(73) Assignee: **HAMAMATSU PHOTONICS K.K.**,
Hamamatsu-shi, Shizuoka (JP)

(**) Term: **15 Years**

(21) Appl. No.: **35/502,704**

(22) Filed: **Sep. 30, 2016**

(80) **Hague Agreement Data**

Int. Filing Date: **Sep. 30, 2016**
 Int. Reg. No.: **DM/092889**
 Int. Reg. Date: **Sep. 30, 2016**
 Int. Reg. Pub. Date: **Mar. 31, 2017**

(30) **Foreign Application Priority Data**

Apr. 27, 2016 (JP) 2016-009318
 Apr. 27, 2016 (JP) 2016-009320

(51) **LOC (11) Cl.** **24-02**

(52) **U.S. Cl.**
 USPC **D24/225**
 CPC **G02B 21/00** (2013.01)

(58) **Field of Classification Search**

USPC D16/130, 131; D24/225–227, 229–231;
 356/244–246; 359/391–398
 CPC G02B 21/34; G02B 21/00; G02B 21/0004;
 G01N 1/28; G01N 1/30; G01N 1/2806;
 G01N 1/312; B01L 3/502723; B01L
 3/502738; B01L 3/5085

See application file for complete search history.

(56) **References Cited**

U.S. PATENT DOCUMENTS

3,736,042 A	5/1973	Markovits et al.	
D273,898 S	5/1984	Valencia	
D274,261 S	6/1984	Valencia	
4,761,381 A *	8/1988	Blatt	B01L 3/502738 356/246
D302,294 S *	7/1989	Hillman	D24/223
D320,269 S *	9/1991	Hammond	D24/225
D324,426 S *	3/1992	Fan	D24/223
D328,135 S *	7/1992	Fan	D24/216
D351,913 S *	10/1994	Hieb	D24/169
D366,938 S *	2/1996	Shartle	D24/223
D383,852 S *	9/1997	Shartle	D24/216
D395,708 S *	6/1998	Shartle	D24/216
5,784,193 A	7/1998	Ferguson	

(Continued)

Primary Examiner — Richard E Chilcot

(57) **CLAIM**

The ornamental design for a substrate for spectroscopic analysis, as shown and described.

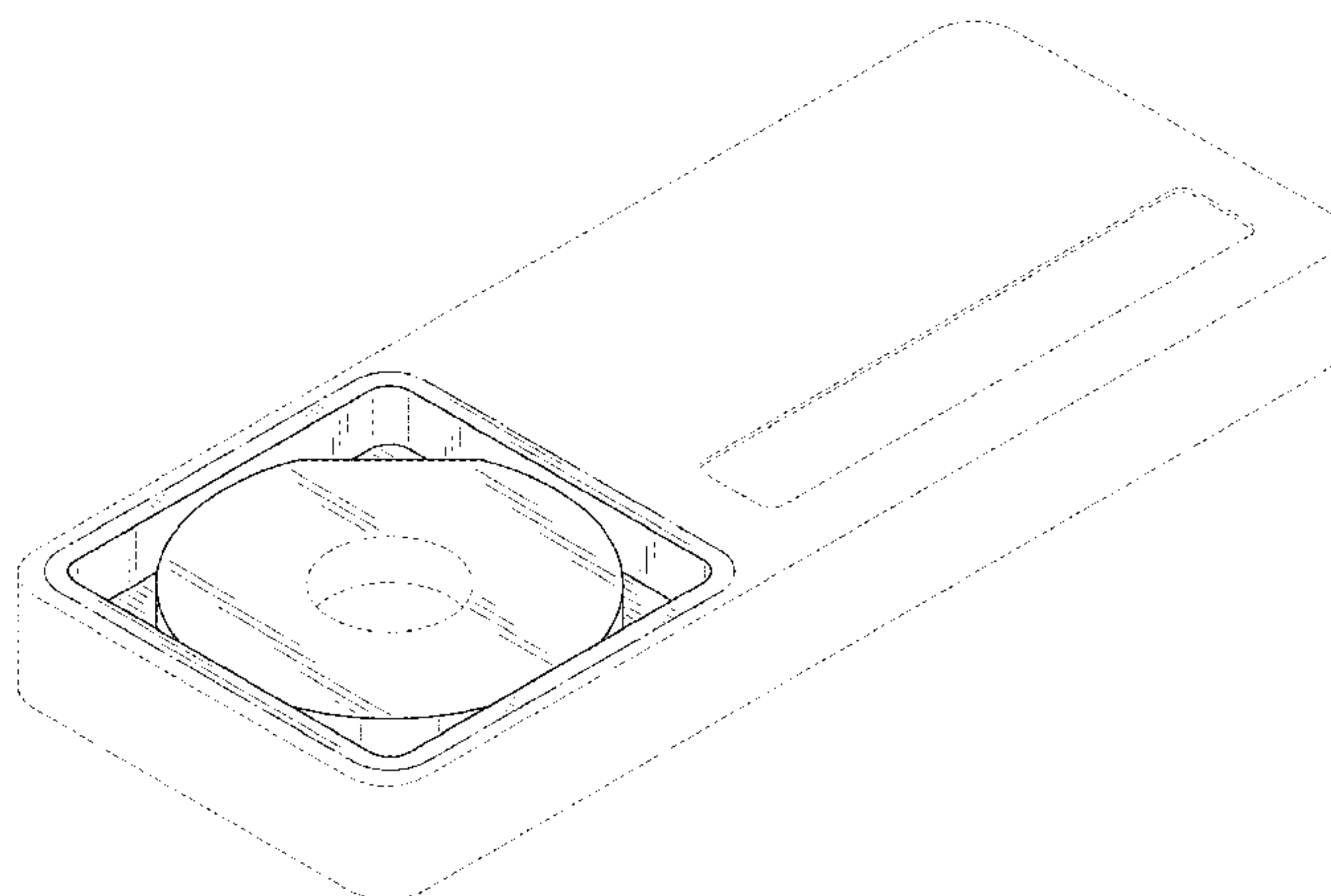
DESCRIPTION

1. Substrate for spectroscopic analysis
- 1.1 : Perspective
- 1.2 : Front
- 1.3 : Back
- 1.4 : Top
- 1.5 : Bottom
- 1.6 : Left
- 1.7 : Right
- 1.8 : SECTIONAL VIEW
- 1.9 : SECTIONAL VIEW
- 1.10 : PERSPECTIVE VIEW WITHOUT THE COVER PART

The broken line showing the substrate for spectroscopic analysis is for the purpose of illustrating environmental structure and forms no part of the claimed design.

The dot-dash broken lines define the bounds of the claimed design and form no part thereof.

1 Claim, 10 Drawing Sheets



(56)

References Cited

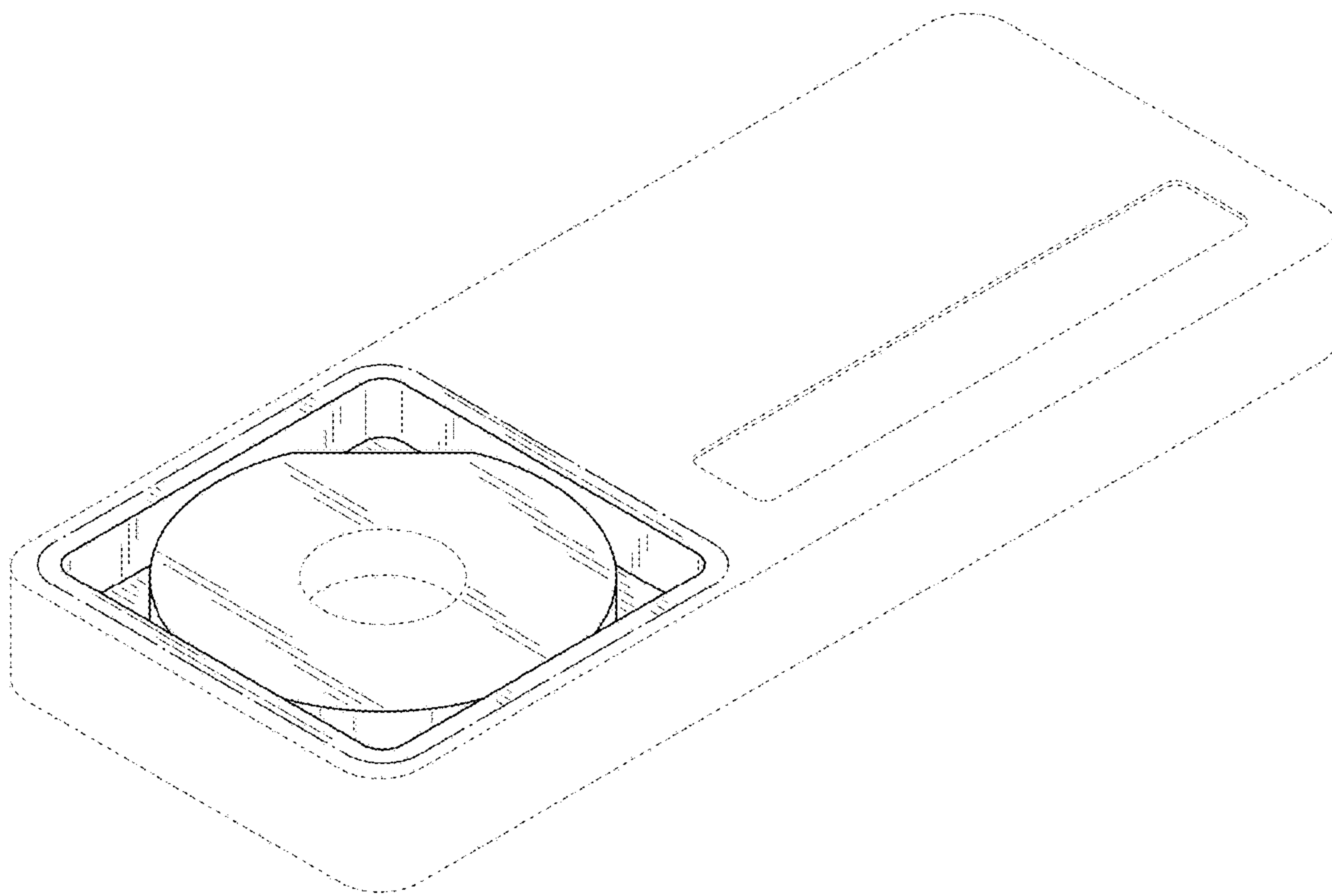
U.S. PATENT DOCUMENTS

5,812,312 A 9/1998 Lorincz
 D461,906 S * 8/2002 Pham D24/225
 D467,348 S * 12/2002 McMichael D24/216
 D500,142 S * 12/2004 Crisanti D24/216
 D512,512 S * 12/2005 Bell D24/225
 D528,215 S * 9/2006 Malmsater D24/216
 D530,826 S * 10/2006 Rich D24/225
 D531,321 S * 10/2006 Godfrey D24/225
 D540,953 S * 4/2007 Ramel D24/224
 D559,995 S * 1/2008 Handique D24/232
 D621,060 S * 8/2010 Handique D24/225
 D636,893 S * 4/2011 Nicholls D24/225
 D639,976 S * 6/2011 Francis D24/225
 D639,977 S * 6/2011 Francis D24/225
 D640,389 S * 6/2011 Francis D24/225
 D669,191 S * 10/2012 Handique D24/225
 8,330,951 B2 * 12/2012 Li G01N 21/658
 356/301
 D676,145 S * 2/2013 Kouge D24/225

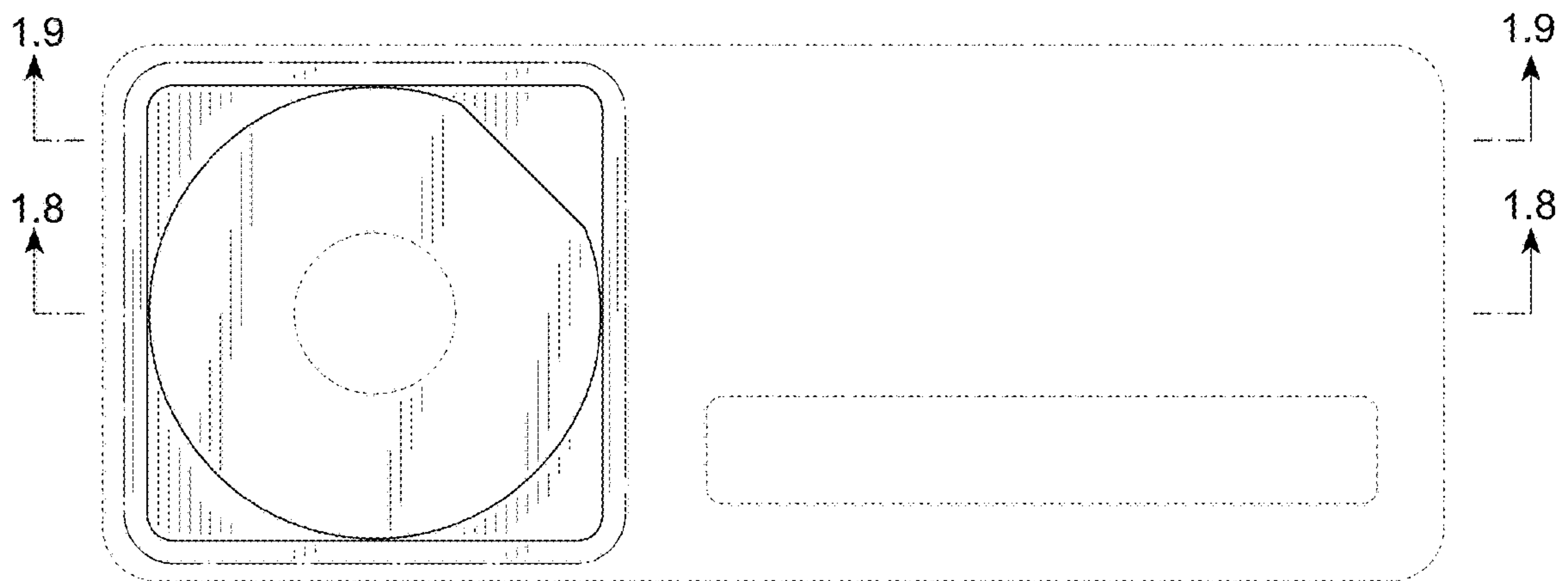
D679,024 S * 3/2013 Kouge D24/225
 D683,045 S 5/2013 Domack
 D692,578 S * 10/2013 Kikuhara D24/216
 D700,711 S * 3/2014 Kikuhara D24/216
 D702,364 S * 4/2014 Iqbal D24/225
 8,709,787 B2 * 4/2014 Handique B01L 3/502723
 435/283.1
 D733,911 S * 7/2015 Ito D24/225
 D733,912 S * 7/2015 Ito D24/225
 D733,913 S * 7/2015 Ito D24/225
 D735,877 S 8/2015 Chang
 D739,954 S * 9/2015 Ito D24/225
 D740,439 S * 10/2015 Ito D24/225
 D740,440 S * 10/2015 Ito D24/225
 D750,799 S * 3/2016 Ito D24/225
 D750,800 S * 3/2016 Ito D24/225
 D754,871 S * 4/2016 Morrell-Falvey D24/225
 D762,874 S * 8/2016 Ito D24/225
 2005/0237607 A1 10/2005 Tenney
 2011/0268630 A1 * 11/2011 Williams B01L 3/5085
 422/560

* cited by examiner

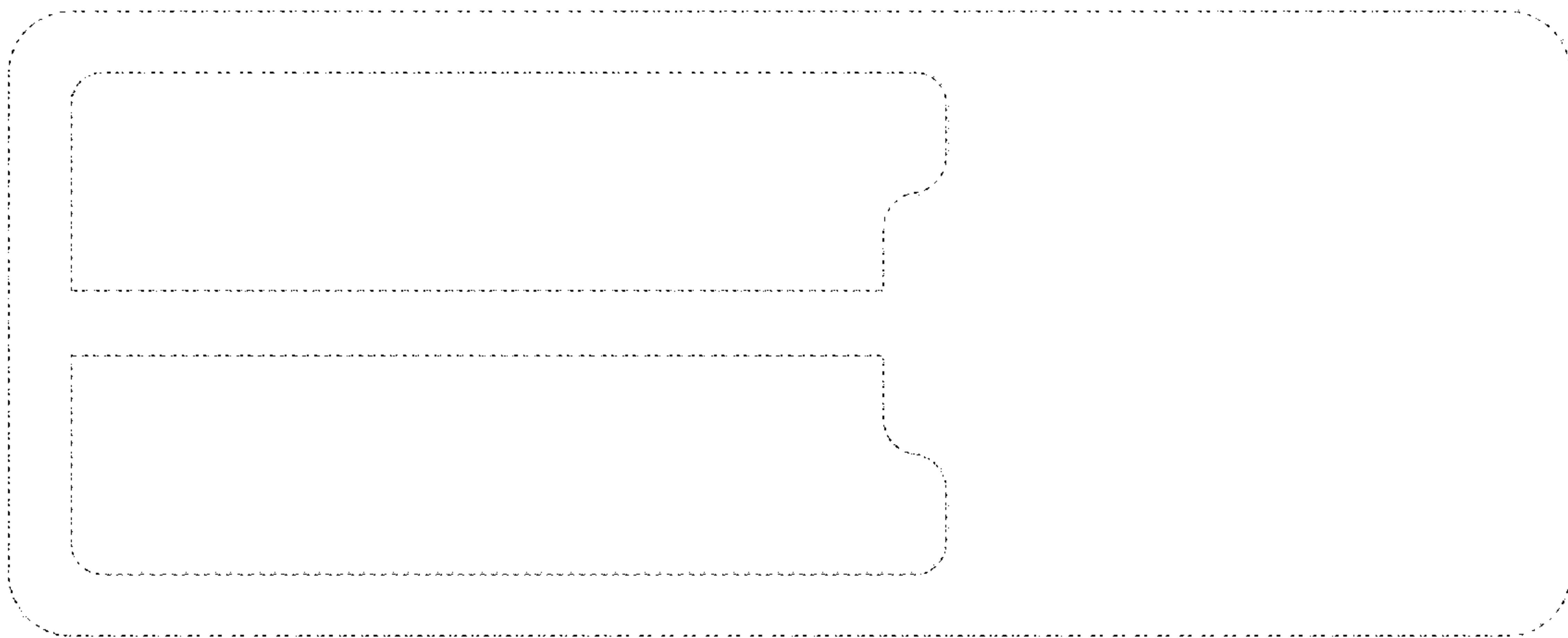
1.1



1.2



1.3



1.4



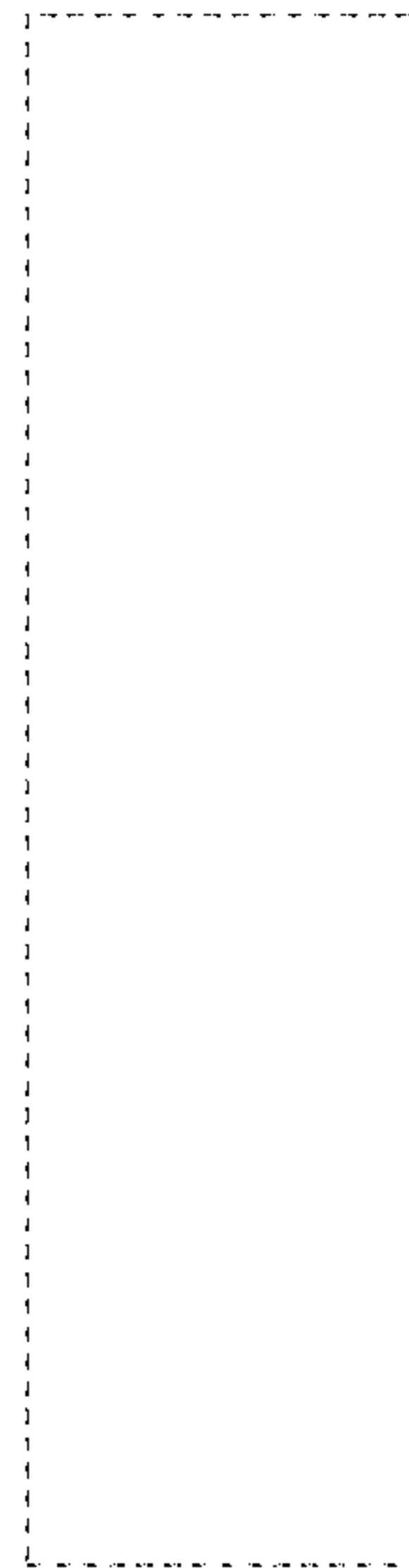
1.5



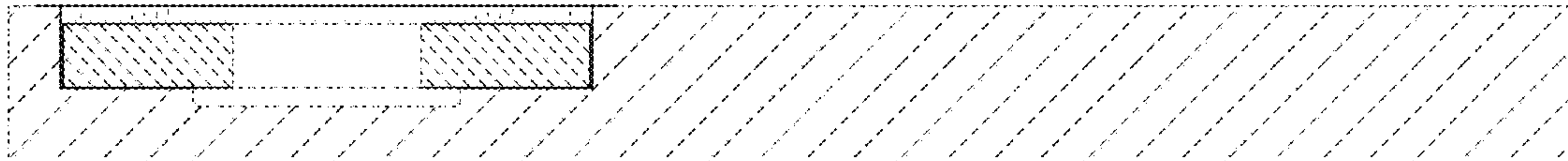
1.6



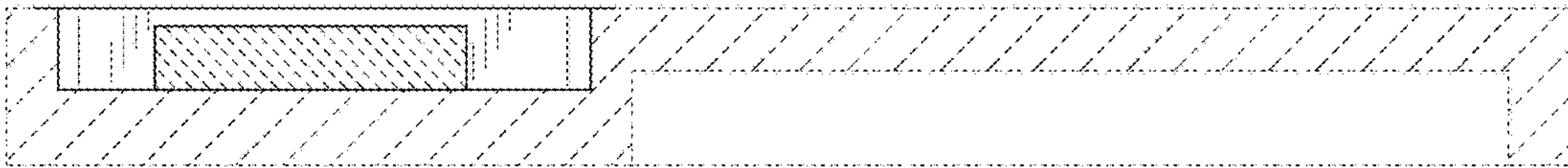
1.7



1.8



1.9



1.10

