



US00D837999S

(12) **United States Design Patent** (10) **Patent No.:** **US D837,999 S**
Sasano (45) **Date of Patent:** **** Jan. 8, 2019**

(54) **TRANSLUCENT CARTRIDGE BODY FOR SOLID-PHASE EXTRACTION**

30/603; G01N 30/6026; G01N 30/6052; G01N 30/6091; G01N 30/6095; G01N 33/1833;

(71) Applicant: **AISTI SCIENCE CO., Ltd.**,
Wakayama-shi (JP)

(Continued)

(72) Inventor: **Ryoichi Sasano**, Wakayama (JP)

(56) **References Cited**

(73) Assignee: **AISTI SCIENCE CO., LTD.**,
Wakayama-shi (JP)

U.S. PATENT DOCUMENTS

(**) Term: **15 Years**

4,749,658 A * 6/1988 Jaekel G01N 35/1097
137/247.17

(21) Appl. No.: **29/539,220**

D300,561 S * 4/1989 Asa D24/112

(22) Filed: **Sep. 11, 2015**

(Continued)

(30) **Foreign Application Priority Data**

Primary Examiner — Ian Simmons

Mar. 11, 2015 (JP) 2015-005300

Assistant Examiner — Samantha Q. Lawrence

(51) **LOC (11) Cl.** **24-02**

(74) *Attorney, Agent, or Firm* — Kratz, Quintos &

(52) **U.S. Cl.**

Hanson, LLP

USPC **D24/224**

(58) **Field of Classification Search**

(57) **CLAIM**

The ornamental design for a translucent cartridge body for solid-phase extraction, as shown and described.

USPC D24/216, 222, 224, 231, 107, 112;
D10/81, 103

CPC B01D 15/00; B01D 15/02; B01D 15/08;

B01D 15/22; B01D 15/3804; B01D

15/424; B01D 15/426; B01D 61/00;

B01D 61/18; B01J 15/00; B01J 20/20;

B01J 20/26; B01J 20/28014; B01J

20/28023; B01J 20/286; B01J 20/3242;

B01J 20/3268; B01L 3/0275; B01L

3/502; B01L 3/5021; B01L 3/50255;

B01L 3/502715; B01L 3/502753; B01L

3/5085; B01L 3/545; C12N 15/1006;

C12N 15/1013; C12N 15/1017; G01N

1/10; G01N 1/34; G01N 1/4005; G01N

1/405; G01N 1/4055; G01N 1/344005;

G01N 1/4077; G01N 30/00; G01N 30/06;

G01N 30/08; G01N 30/12; G01N 30/14;

G01N 30/16; G01N 30/24; G01N 30/32;

G01N 30/462; G01N 30/482; G01N

DESCRIPTION

FIG. 1 is a perspective view of the translucent cartridge body for solid-phase extraction showing my new design;

FIG. 2 is a front view thereof;

FIG. 3 is a back view thereof;

FIG. 4 is a right side view thereof;

FIG. 5 is a left side view thereof;

FIG. 6 is a plan view thereof;

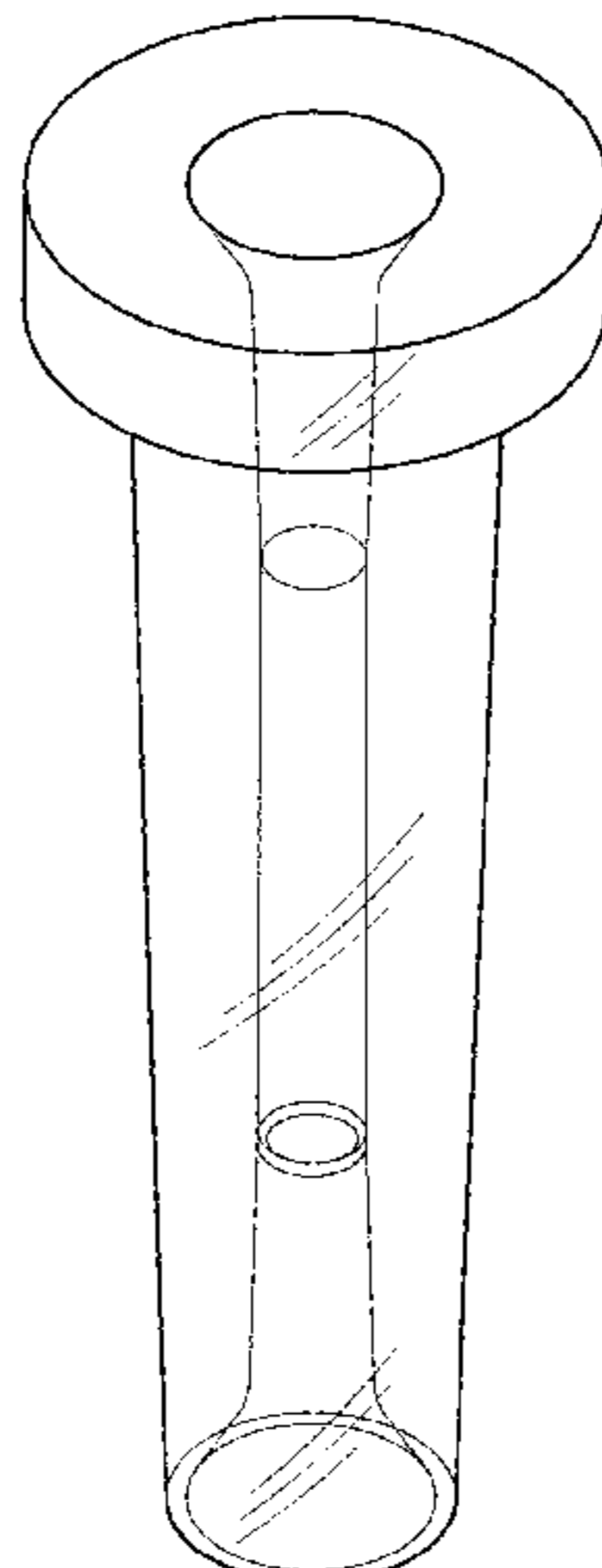
FIG. 7 is a bottom view thereof;

FIG. 8 is a cross-sectional view taken along lines VIII-VIII of FIG. 6; and,

FIG. 9 is a cross-sectional view taken along lines VIII-VIII of FIG. 6 shown with unclaimed environmental upper and lower frits and solid phase filling material.

The broken lines are included for the purpose of illustrating unclaimed environmental subject matter used with the translucent cartridge body for solid-phase extraction and form no part of the claimed design.

1 Claim, 9 Drawing Sheets



US D837,999 S

Page 2

(58) **Field of Classification Search**
CPC G01N 33/6848; G01N 35/025; G01N
35/109; G01N 35/1097
See application file for complete search history.

(56) **References Cited**

U.S. PATENT DOCUMENTS

D319,879 S * 9/1991 Wachob D24/107
5,260,028 A * 11/1993 Astle G01N 1/405
210/635
5,395,521 A * 3/1995 Jagadeeswaran .. G01N 30/6052
210/143
5,439,593 A * 8/1995 Price B01D 15/08
210/236
5,529,694 A * 6/1996 Strickler G01N 33/1833
210/416.1
5,658,800 A * 8/1997 Lessard G01N 30/06
210/634
6,177,008 B1 * 1/2001 Treiber B01D 15/08
210/198.2
6,652,625 B1 * 11/2003 Tipler G01N 30/12
73/23.41

6,723,236 B2 * 4/2004 Fisk B01D 15/22
210/198.2
6,770,246 B1 * 8/2004 Husek B01L 3/0275
210/263
D511,214 S * 11/2005 Sasano D24/224
D519,868 S * 5/2006 Sasano D10/103
D601,712 S * 10/2009 Tajima D24/222
7,867,325 B2 * 1/2011 Jones G01N 30/16
73/23.35
8,101,073 B2 * 1/2012 Wada B01J 20/26
210/198.2
D687,563 S * 8/2013 Tamura D24/222
8,506,813 B2 * 8/2013 Alspektor B01L 3/50255
210/141
9,110,072 B2 * 8/2015 Tamminga G01N 30/6026
9,592,500 B2 * 3/2017 Doucette G01N 1/4077
9,597,612 B2 * 3/2017 Yabuhara G01N 30/08
2005/0011835 A1 * 1/2005 Henderson B01D 15/22
210/656
2012/0160038 A1 * 6/2012 Wells B01J 15/00
73/863.21
2016/0252435 A1 * 9/2016 Sasano G01N 1/405
73/863.23
2017/0044518 A1 * 2/2017 Nelson C12N 15/1006
* cited by examiner

FIG. 1

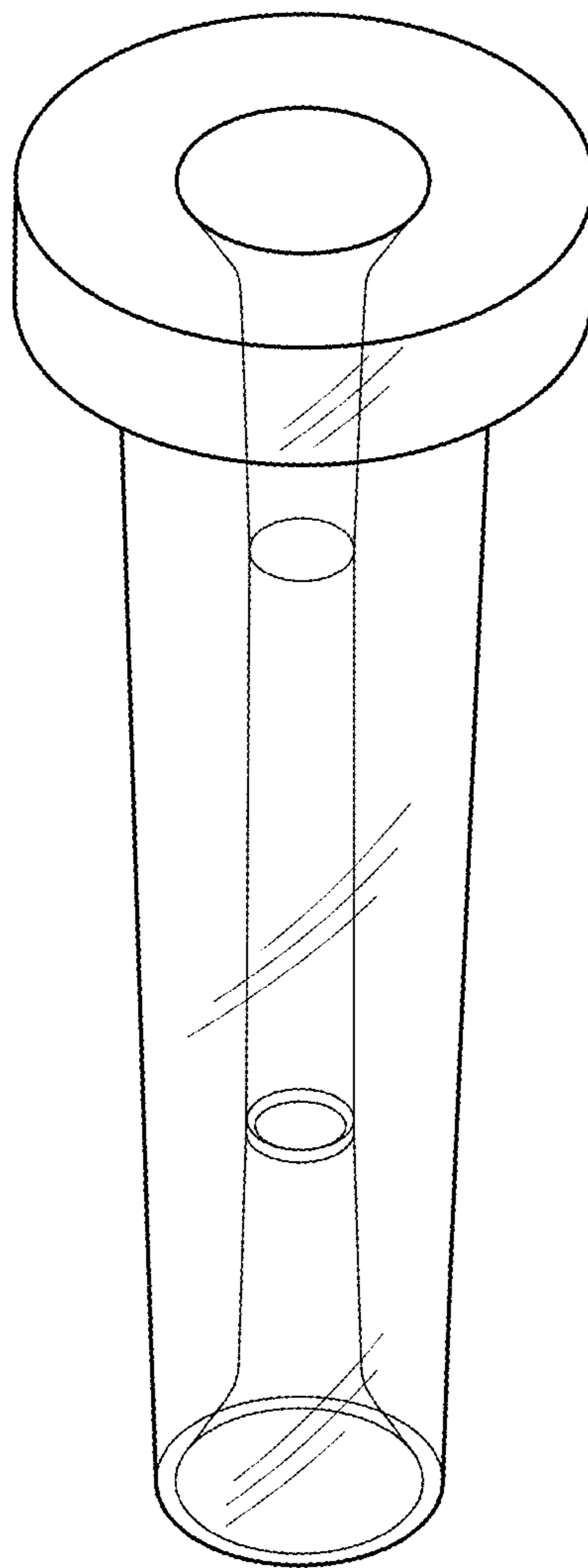


FIG. 2

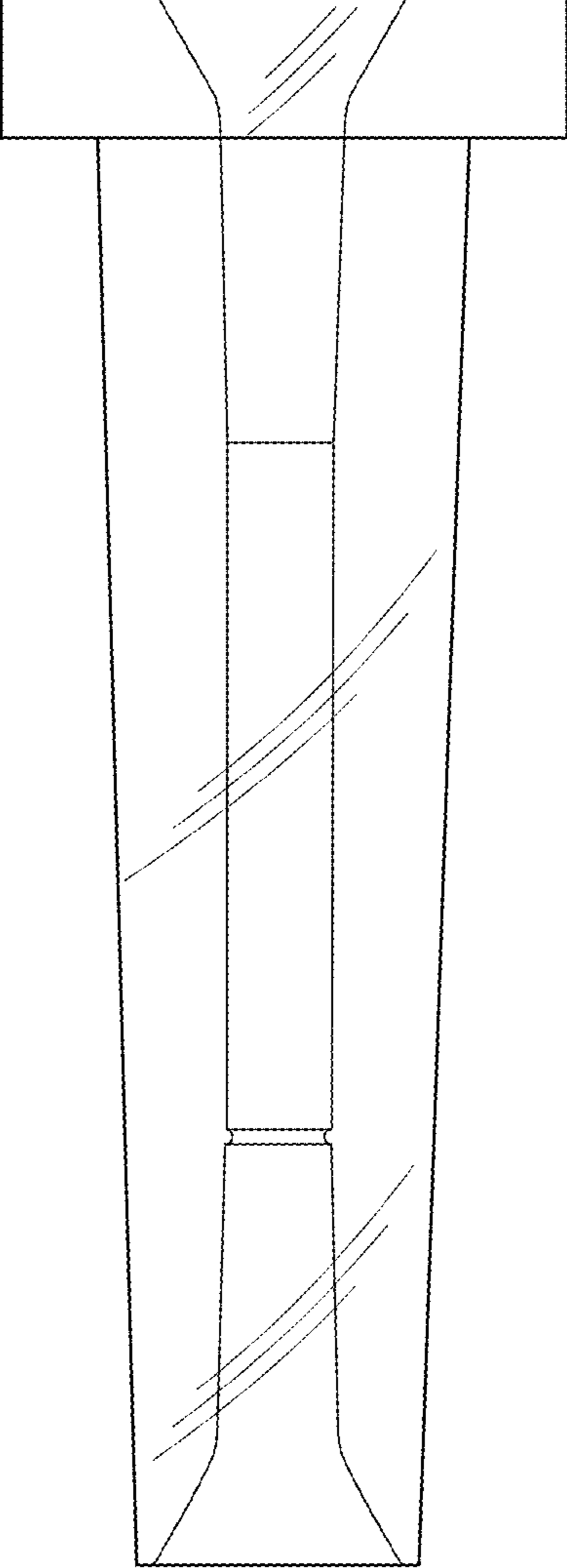


FIG. 3

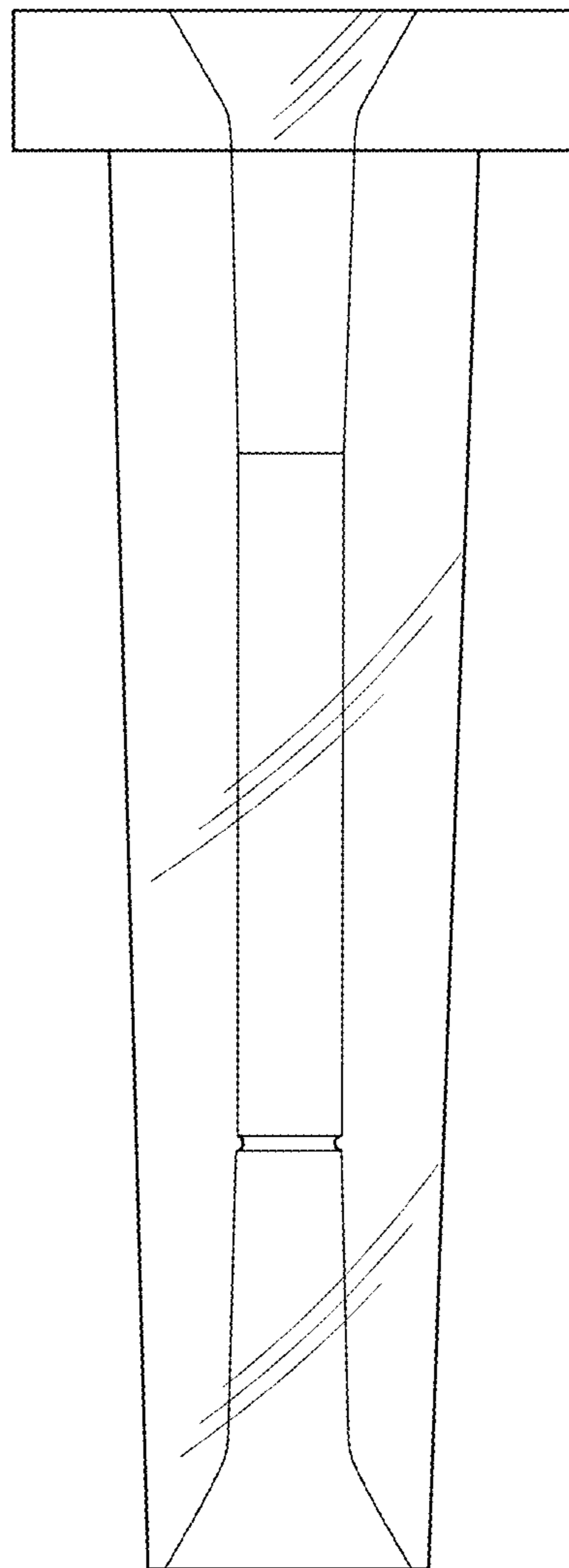


FIG. 4

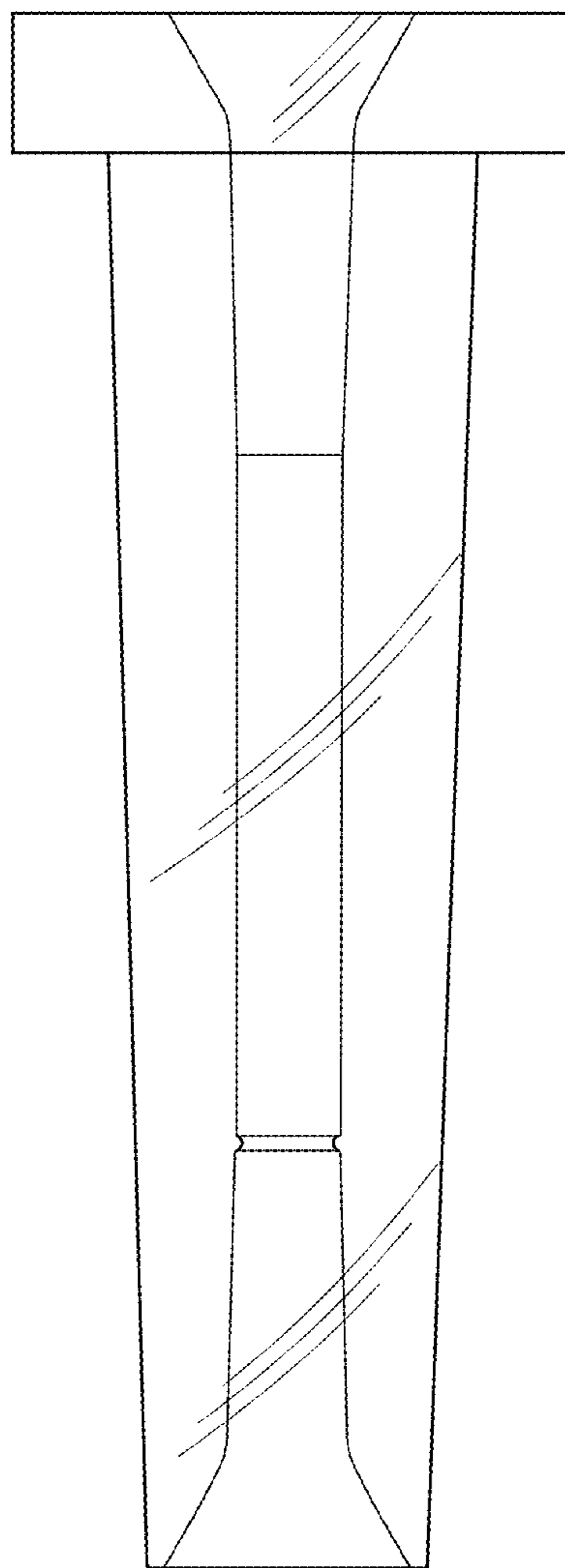


FIG. 5

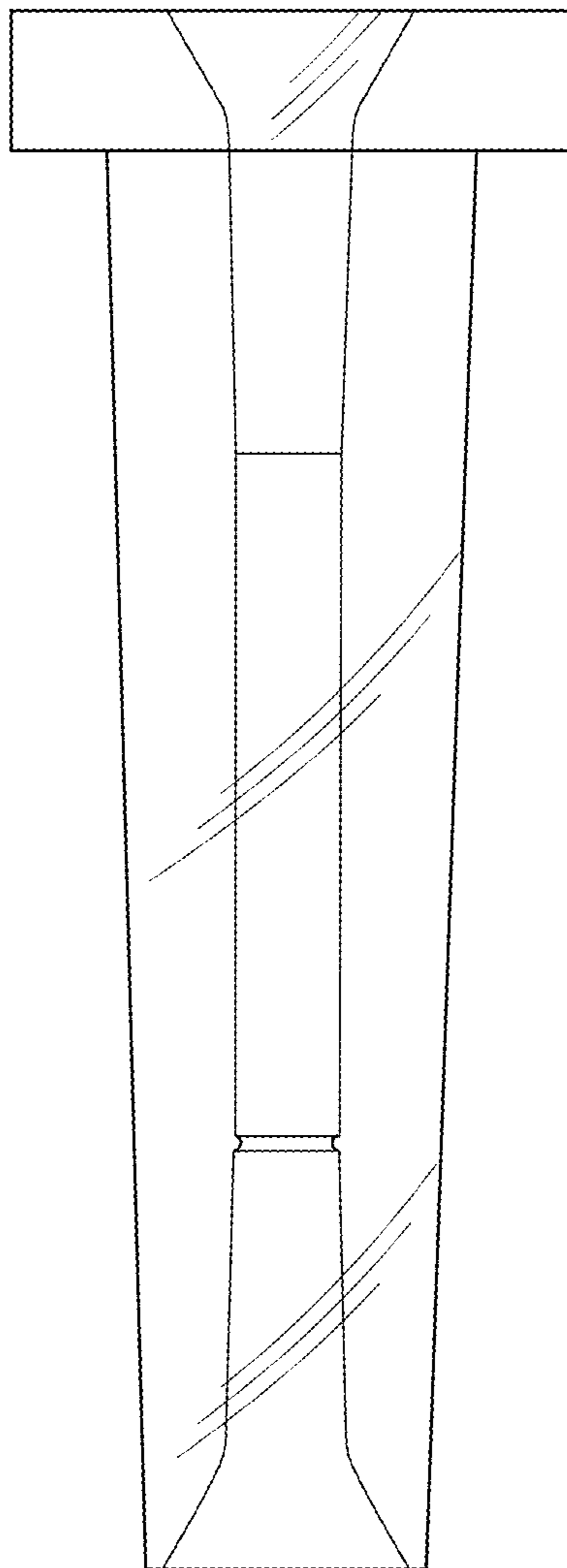


FIG. 6

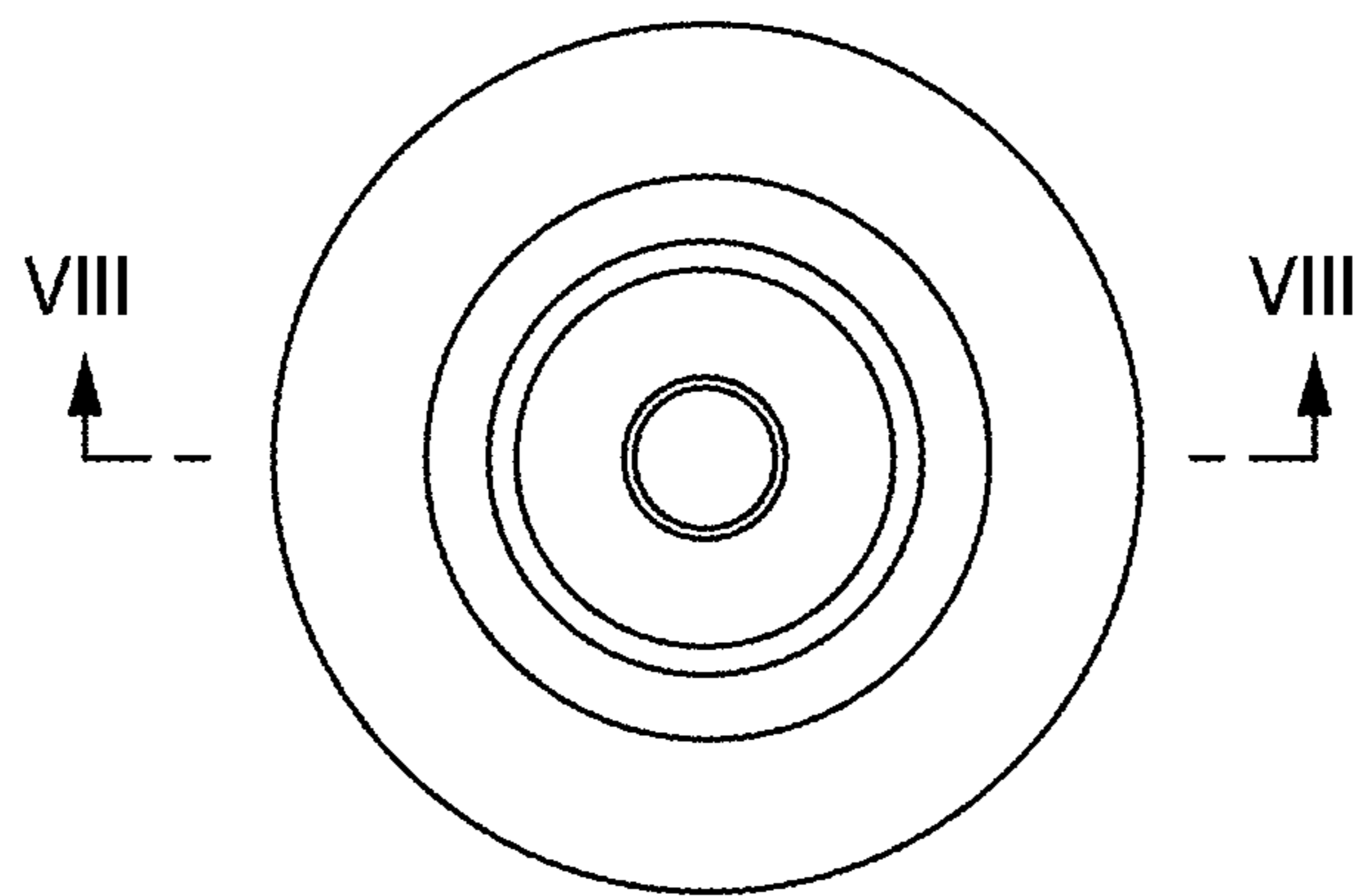


FIG. 7

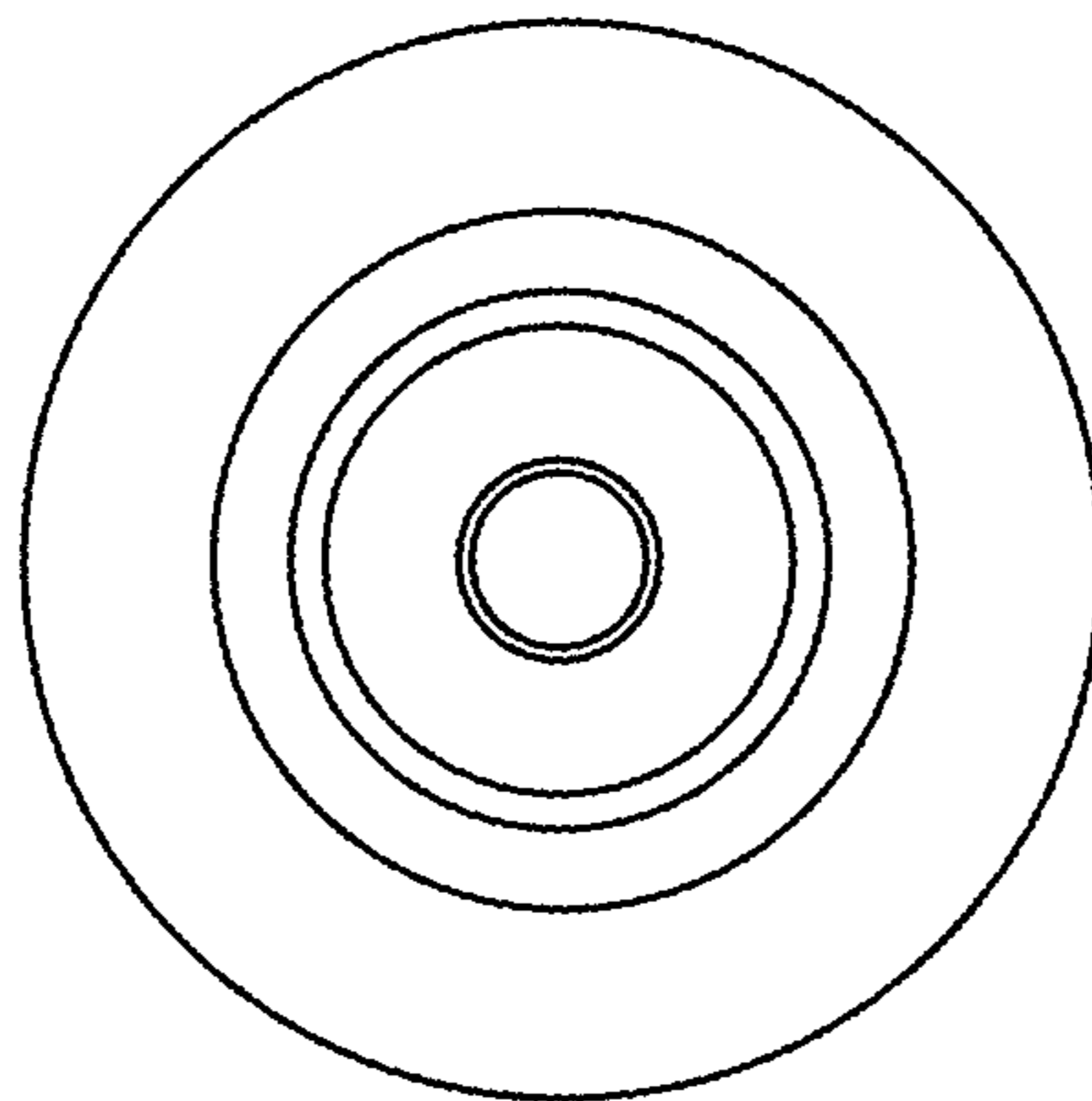


FIG. 8

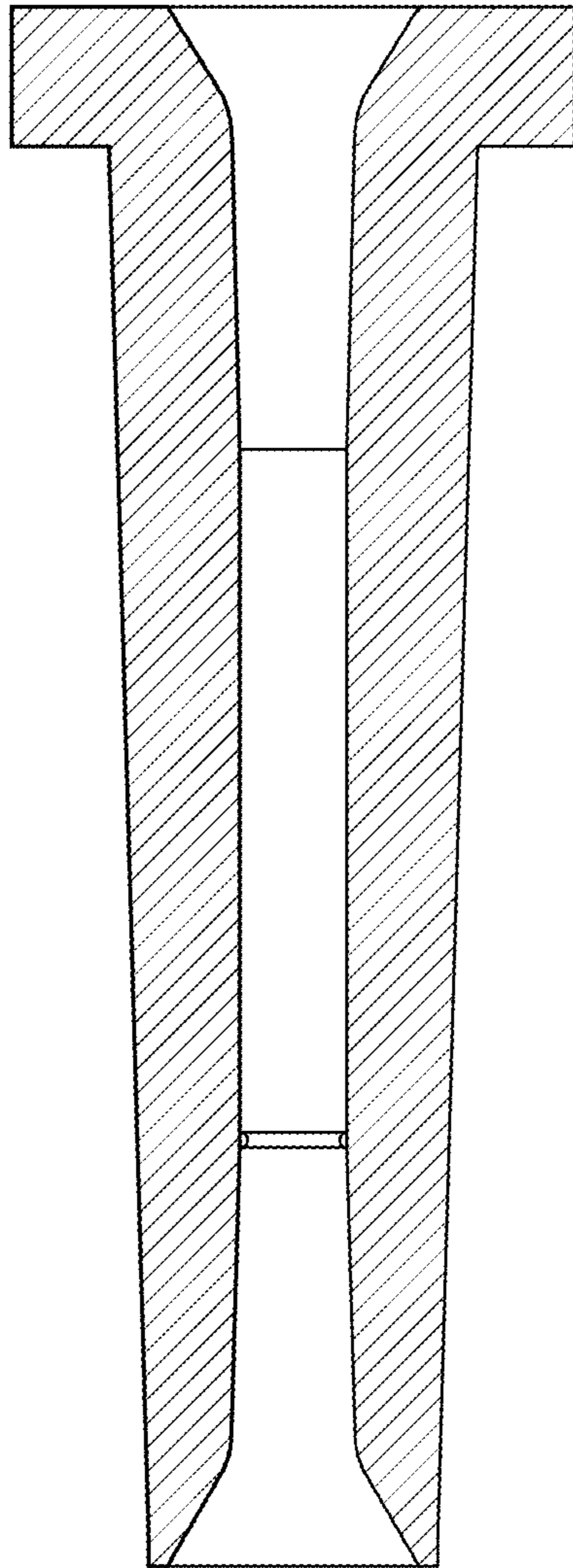


FIG. 9

