



US00D837998S

(12) **United States Design Patent** (10) **Patent No.:** **US D837,998 S**
Schaff et al. (45) **Date of Patent:** **** Jan. 8, 2019**

(54) **CENTRIFUGE CARTRIDGE**

(56) **References Cited**

(71) Applicant: **Sandstone Diagnostics, Inc.**,
Livermore, CA (US)

(72) Inventors: **Ulrich Schaff**, Livermore, CA (US);
Laura Fredriksen, Berkeley, CA (US);
Jon Epperson, Livermore, CA (US);
Kirk Harmon, San Ramon, CA (US);
Greg Sommer, Livermore, CA (US)

U.S. PATENT DOCUMENTS

5,061,381 A 10/1991 Burd
D668,350 S * 10/2012 Rowley D24/225
D672,042 S * 12/2012 Delaey D24/169
D734,482 S * 7/2015 Peterman D24/216
2009/0148869 A1 6/2009 Zaugg
2015/0300932 A1* 10/2015 Schaff G01N 1/4077
435/288.6
2016/0023204 A1* 1/2016 Schaff B01L 3/502
422/533

(73) Assignee: **Sandstone Diagnostics, Inc.**,
Pleasanton, CA (US)

FOREIGN PATENT DOCUMENTS

EP 0965388 12/1999

(**) Term: **15 Years**

* cited by examiner

(21) Appl. No.: **29/604,807**

Primary Examiner — Anhdao Doan
(74) *Attorney, Agent, or Firm* — Kim Rubin

(22) Filed: **May 19, 2017**

(51) **LOC (11) Cl.** **24-01**

(57) **CLAIM**

The ornamental design for a centrifuge cartridge, as shown and described.

(52) **U.S. Cl.**

USPC **D24/219**; D24/225

DESCRIPTION

(58) **Field of Classification Search**

USPC D24/121, 216, 219–221, 224–233;
D10/81

CPC .. B01L 3/502715; B01L 3/508; B01L 3/5085;
B01L 3/50855; B01L 3/52; B01L 3/523;
B01L 3/527; B01L 2200/16; B01L
2200/18; B01L 2300/0609; B01L
2300/0618; B01L 2035/0401; B01L
2035/0441; B01L 2035/0444; G01N
21/07; G01N 2021/13; G01N 2021/135

FIG. 1 is a top view of the centrifuge cartridge
FIG. 2 is a side view of the centrifuge cartridge
FIG. 3 is a bottom view of the centrifuge cartridge
FIG. 4 is an end view of the centrifuge cartridge
FIG. 5 is a second end view of the centrifuge cartridge
FIG. 6 is a second side view of the centrifuge cartridge; and,
FIG. 7 is a perspective view of the centrifuge cartridge.
The broken lines show environmental structure that is not part of the claimed design.

See application file for complete search history.

1 Claim, 3 Drawing Sheets

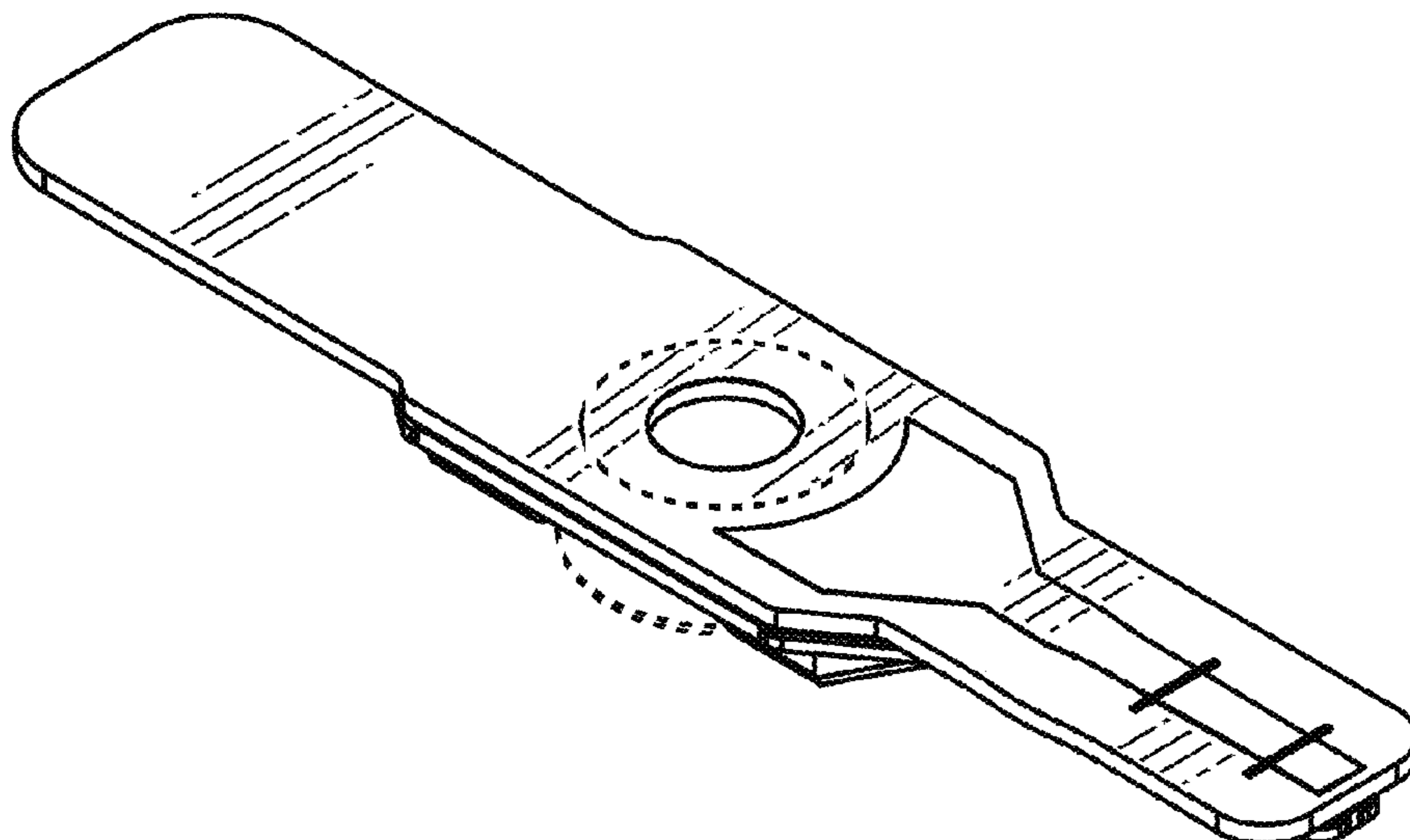


Fig. 1

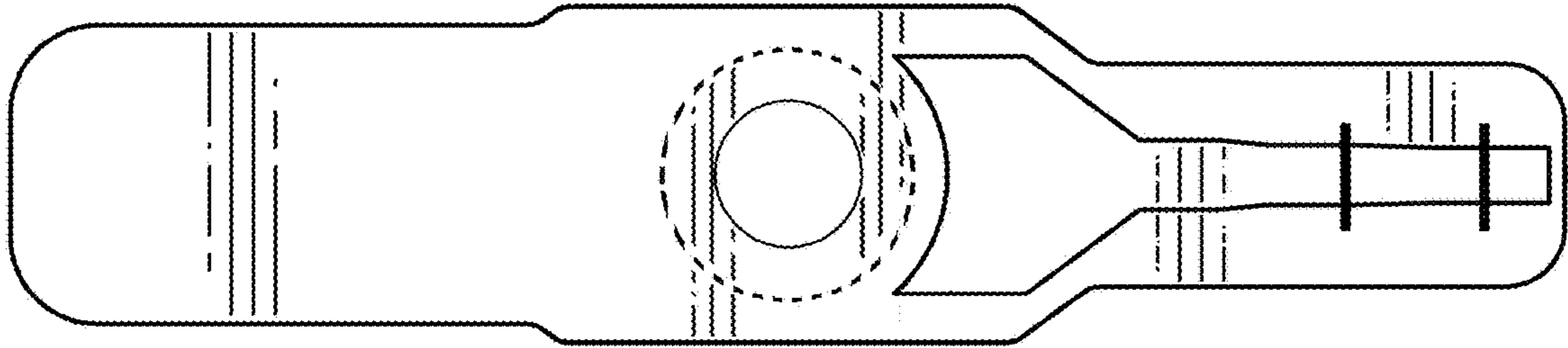


Fig. 2

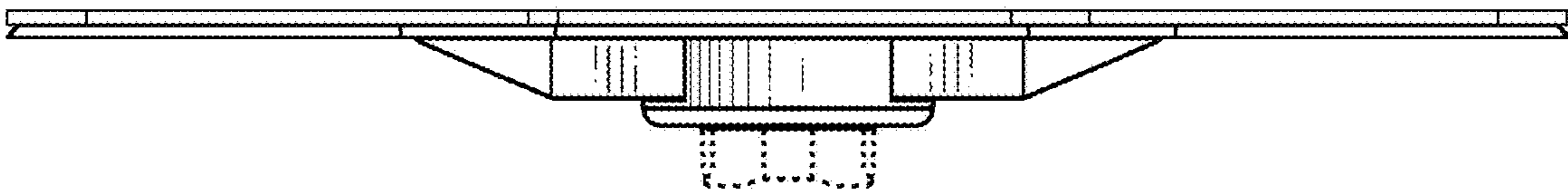


Fig. 3

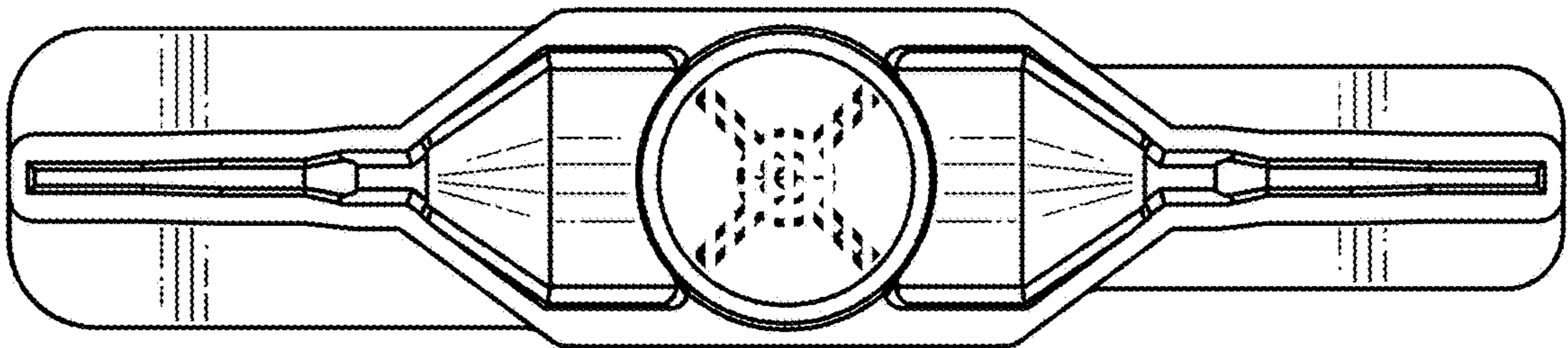


Fig. 4

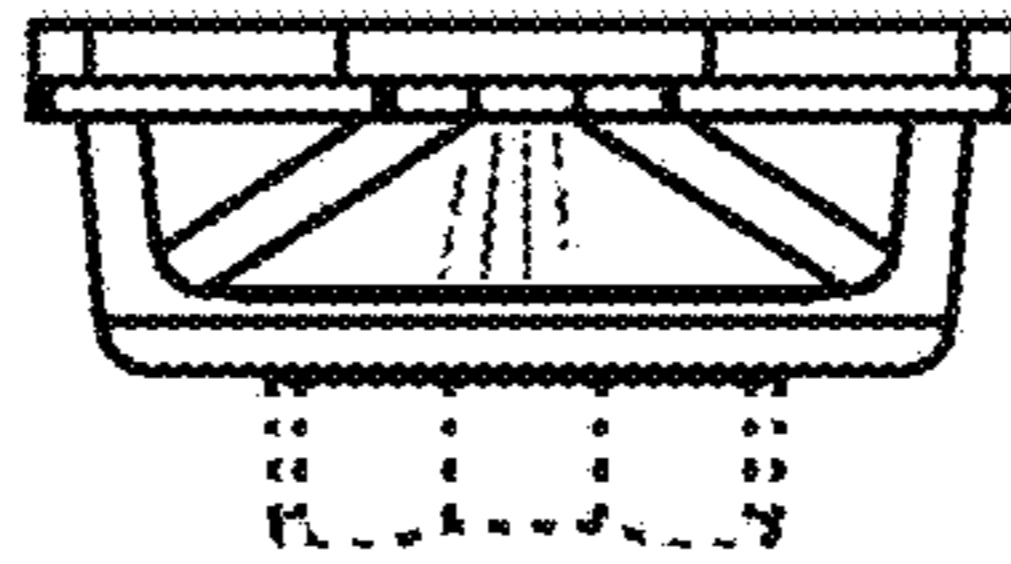


Fig. 5

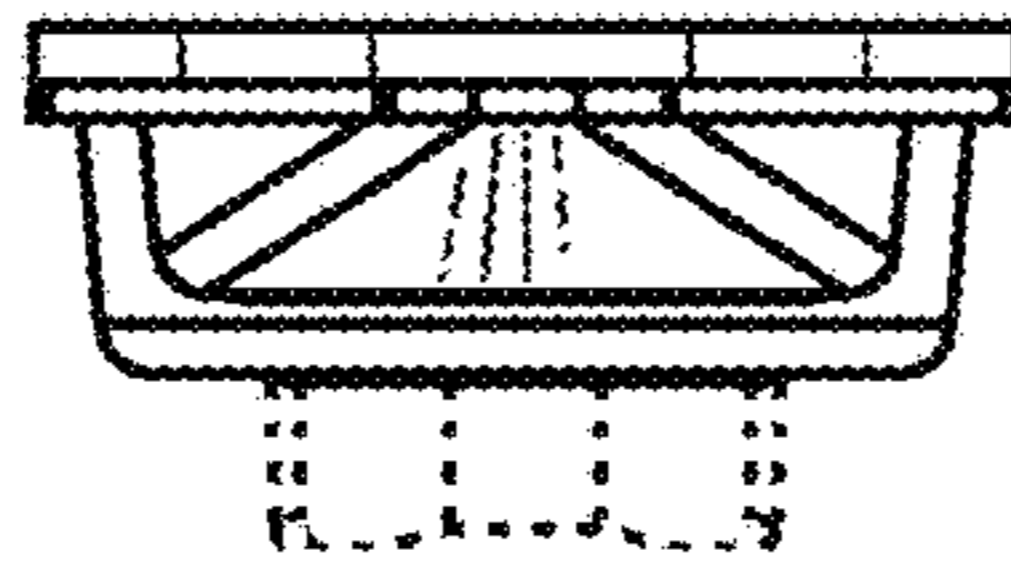


Fig. 6

