



US00D837995S

(12) **United States Design Patent**
Josselyn

(10) **Patent No.:** **US D837,995 S**

(45) **Date of Patent:** **** Jan. 8, 2019**

(54) **SEX TOY**

(71) Applicant: **Colin Josselyn**, Saint Paul, MN (US)

(72) Inventor: **Colin Josselyn**, Saint Paul, MN (US)

(**) Term: **15 Years**

(21) Appl. No.: **29/585,779**

(22) Filed: **Nov. 29, 2016**

(51) **LOC (11) Cl.** **28-03**

(52) **U.S. Cl.**
USPC **D24/215**

(58) **Field of Classification Search**
USPC D24/200, 211, 212, 213, 214, 215;
601/19, 22, 27-32, 46, 52, 99, 112, 113,
601/118, 125, 143, DIG. 12, DIG. 14,
601/DIG. 15, DIG. 16, DIG. 17; D8/367,
D8/368, 369, 370
CPC A61H 1/0266; A61H 2015/0007; A61H
2015/0014; A61H 2015/0042; A61H
2015/0035; A61H 15/00; A61H 7/003;
A61H 7/005; A61H 7/00; A61H
2001/027; A61H 11/00; A61H 19/00;
A61H 19/30; A61H 19/32; A61H 19/34;
A61H 19/40; A61H 19/44; A61H 19/50;
A61H 21/00

See application file for complete search history.

(56) **References Cited**

U.S. PATENT DOCUMENTS

D21,551 S * 5/1892 Young D24/135
D234,724 S * 4/1975 Tavel D24/214

D376,650 S * 12/1996 Kain D24/215
D385,965 S * 11/1997 Wallesen D24/212
D485,910 S * 1/2004 Chan D24/215
D499,811 S * 12/2004 Nan D24/215
D742,025 S * 10/2015 Callow D24/214
2005/0033112 A1* 2/2005 Bruton A61H 19/44
600/38

* cited by examiner

Primary Examiner — Sandra Snapp

(74) *Attorney, Agent, or Firm* — Greg N. Geiser; Gutwein Law

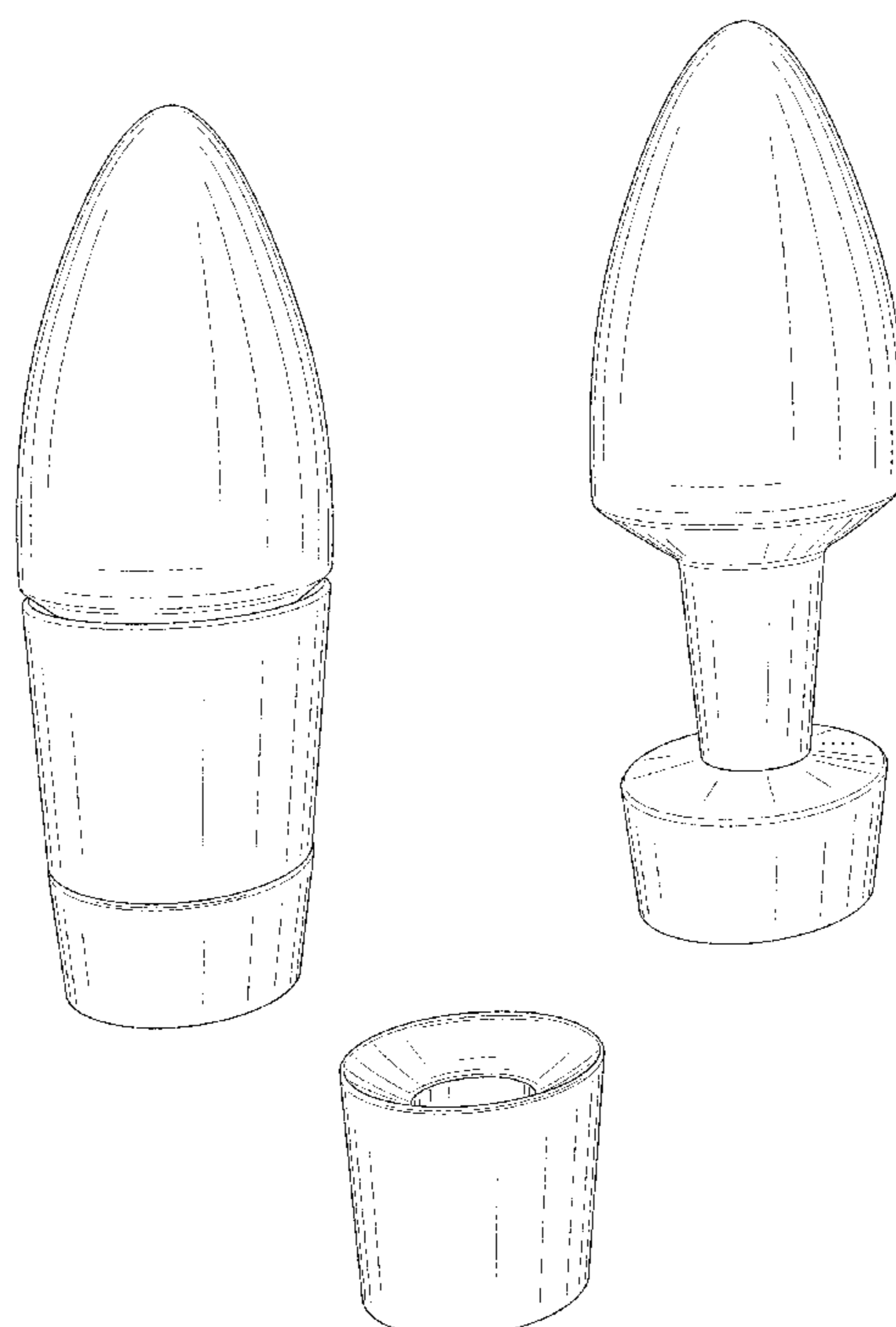
(57) **CLAIM**

The ornamental design for a sex toy, as shown and described.

DESCRIPTION

FIG. 1 is a perspective view of a sex toy showing my new design;
FIG. 2 is front side elevational view, the rear side, the left side, and the right side, being mirror images thereof;
FIG. 3 is a top plan view thereof;
FIG. 4 is a bottom plan view thereof;
FIG. 5 is an exploded perspective view of the sex toy with the ring portion removed from the base portion thereof;
FIG. 6 is an exploded front side elevational view with the ring portion removed from the base portion, the rear side, the left side, and the right side, being mirror images thereof;
FIG. 7 is an exploded top plan view of the ring portion and the base portion thereof; and,
FIG. 8 is an exploded bottom plan view of the ring portion and the base portion thereof.

1 Claim, 6 Drawing Sheets



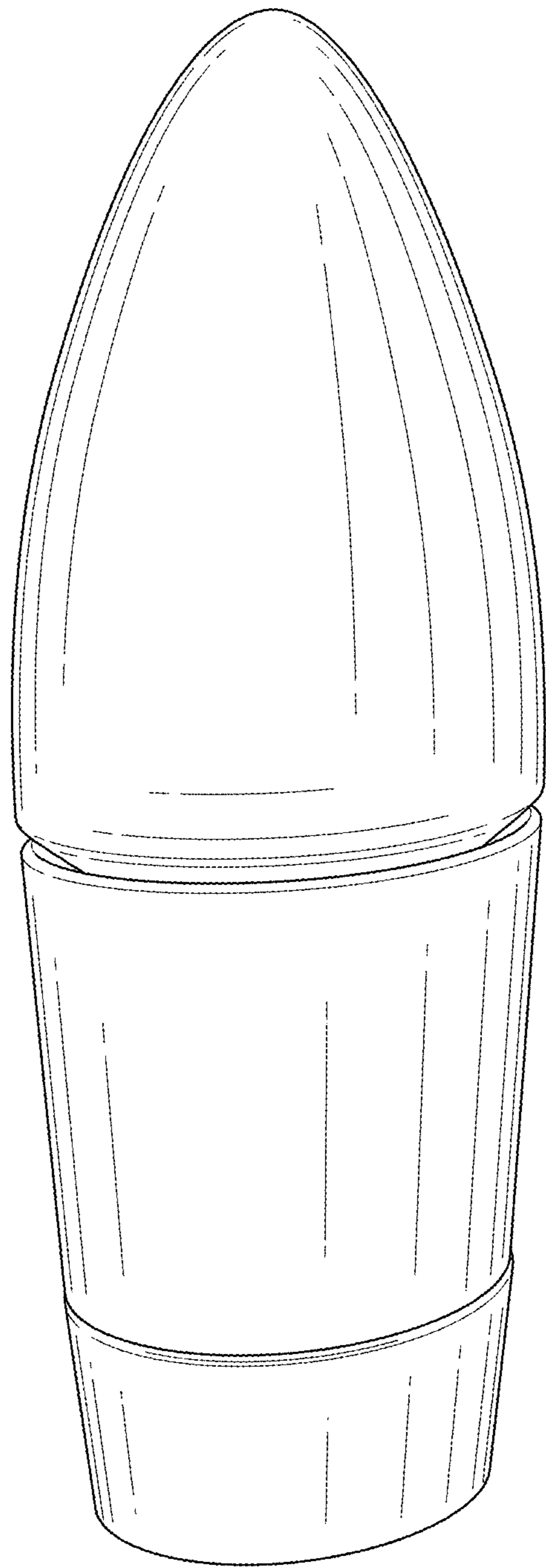


FIG. 1

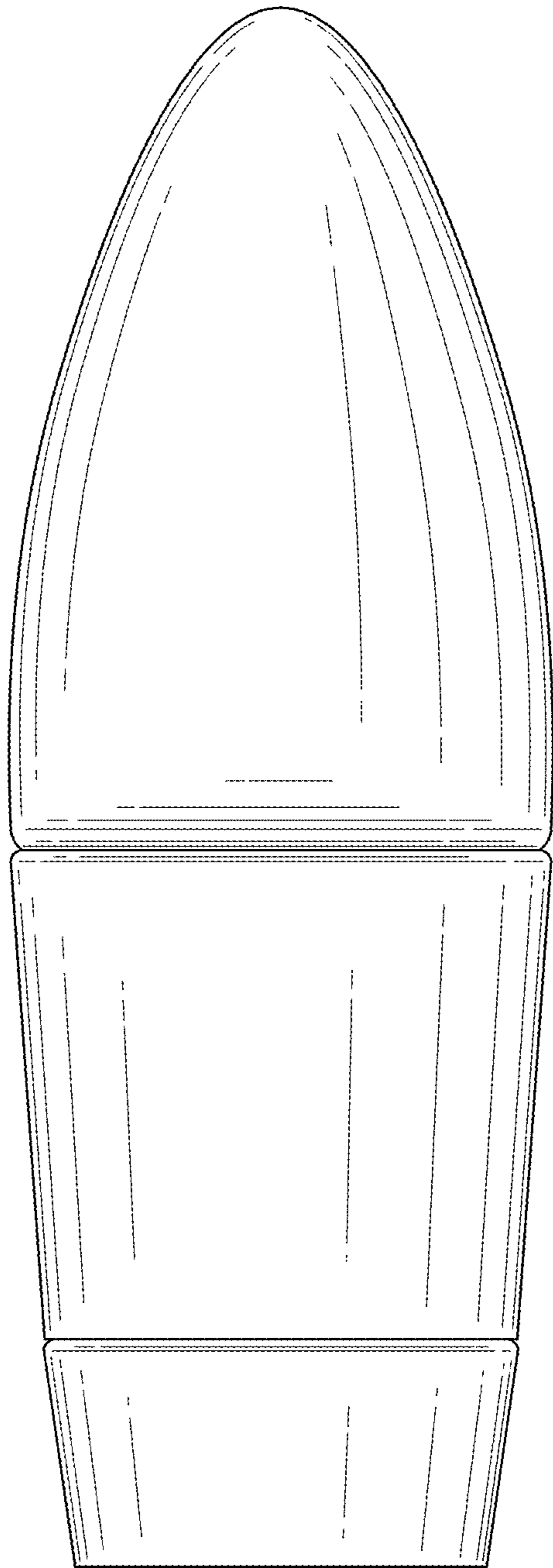


FIG. 2

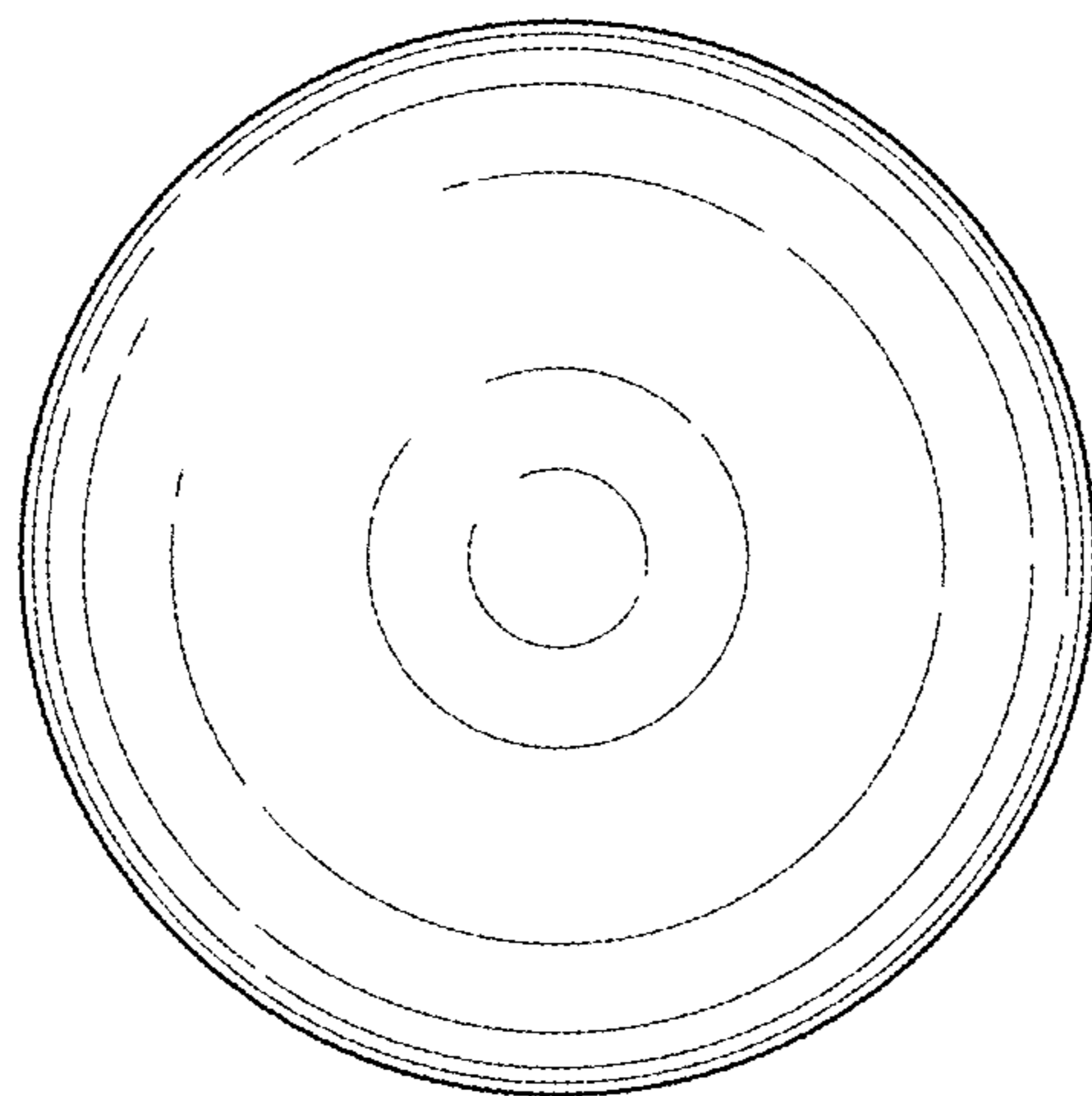


FIG. 3

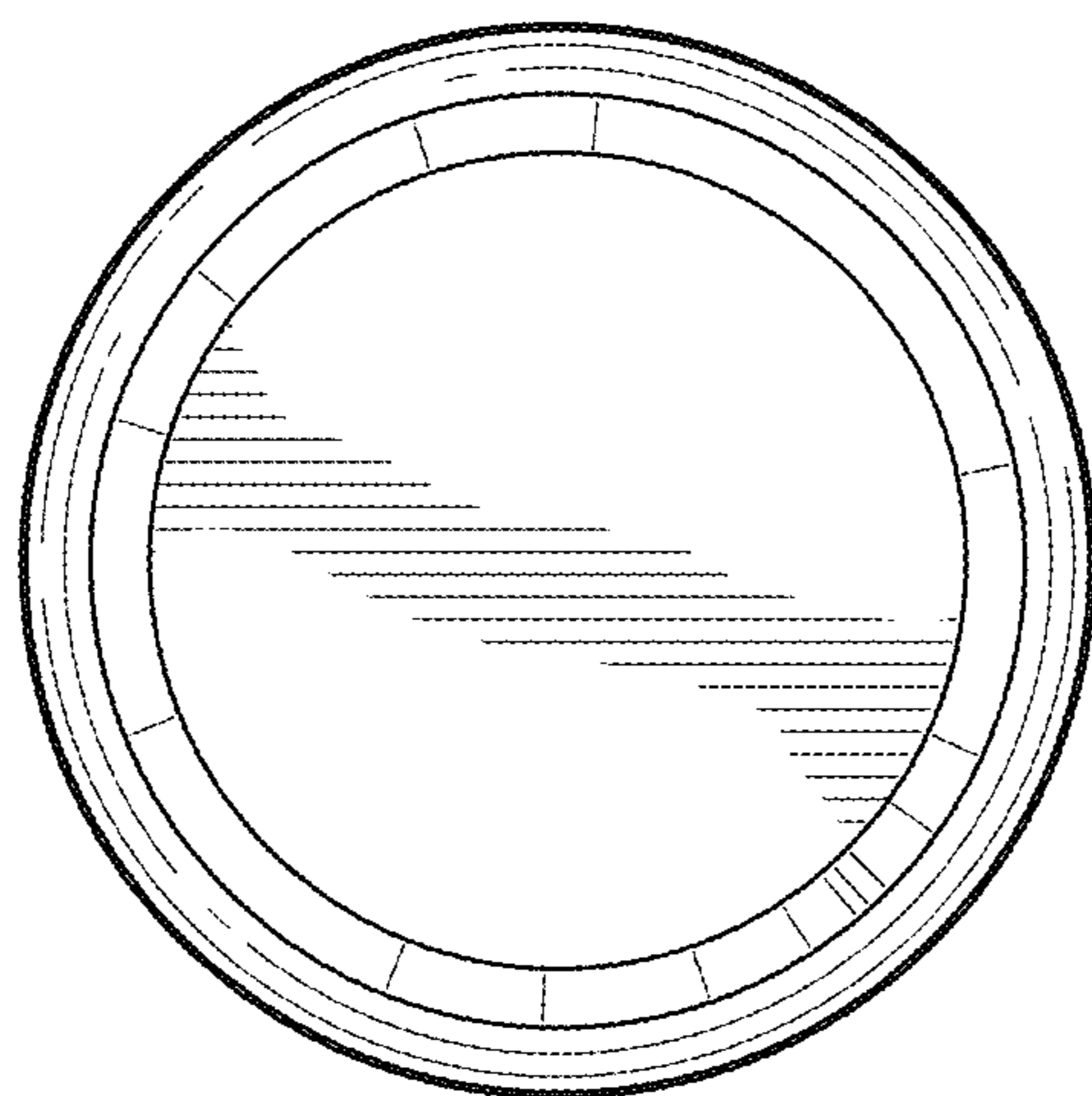


FIG. 4

