

US00D837993S

(12) **United States Design Patent**  
**Bailey et al.**

(10) **Patent No.:** **US D837,993 S**  
(45) **Date of Patent:** **\*\* Jan. 8, 2019**

- (54) **SEXUAL STIMULATION DEVICE**
- (71) Applicant: **oMy Labs Inc., Ottawa (CA)**
- (72) Inventors: **Kevin Bailey, Ottawa (CA); Yana Klimava, Gatineau (CA); Patrick Williams, Ottawa (CA)**
- (73) Assignee: **oMy Labs Inc., Ottawa (CA)**
- (\*\*) Term: **15 Years**
- (21) Appl. No.: **29/566,285**
- (22) Filed: **May 27, 2016**
- (51) **LOC (11) Cl. .... 28-03**
- (52) **U.S. Cl.**  
USPC ..... **D24/214**
- (58) **Field of Classification Search**  
USPC ..... D24/200, 211, 212, 213, 214, 215, 133,  
D24/144, 206, 207; 601/19, 27-32,  
601/46-48, 52, 99, 112-113, 118, 135,  
601/137, DIG. 12, DIG. 14, DIG. 15,  
601/DIG. 16, DIG. 17; D30/160;  
D11/26, 28, 29  
CPC ..... A61H 19/00; A61H 19/30; A61H 19/32;  
A61H 19/34; A61H 19/40; A61H 19/44;  
A61H 19/50; A61H 2015/0007; A61H  
2015/0014; A61H 2015/0042; A61H  
15/00; A61H 7/003; A61H 7/005  
See application file for complete search history.

- 2,054,590 A 9/1936 Wahl
- D114,337 S 4/1939 Landgraf
- 2,200,635 A 8/1939 Oster
- 2,181,282 A 11/1939 Oster
- 2,198,442 A 8/1940 Oster
- 2,212,102 A 8/1940 Landgraf
- 2,707,949 A 5/1955 Sadlon
- 2,723,662 A 11/1955 Wahl
- 2,768,621 A 10/1956 Wahl
- RE24,630 E 4/1959 Wahl
- 3,071,101 A 1/1963 Neff
- D208,608 S 9/1967 Madl et al.
- 3,461,859 A 8/1969 Fortnam
- 3,542,941 A 11/1970 Menzel
- 4,005,703 A 2/1977 Rosen et al.
- 4,710,655 A 12/1987 Masaki
- 5,067,480 A 11/1991 Woog et al.
- 5,076,261 A 12/1991 Black

(Continued)

*Primary Examiner* — Sandra Snapp  
(74) *Attorney, Agent, or Firm* — Fish & Richardson P.C.

(57) **CLAIM**

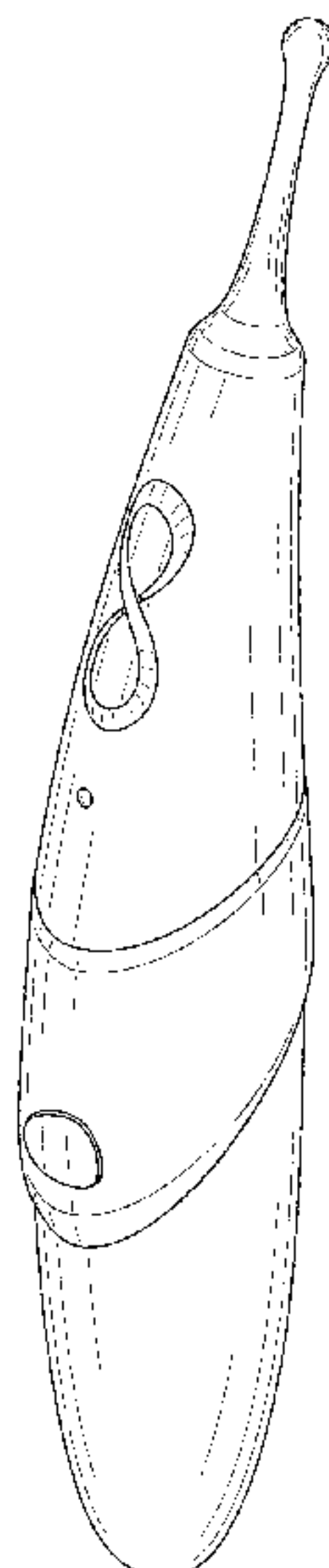
The ornamental design for a sexual stimulation device, as shown and described.

**DESCRIPTION**

FIG. 1 is a perspective view of a first implementation of the invention.  
 FIG. 2 is a front view of the implementation shown in FIG. 1.  
 FIG. 3 is a back view of the implementation shown in FIG. 1.  
 FIG. 4 is a left view of the implementation shown in FIG. 1.  
 FIG. 5 is a right view of the implementation shown in FIG. 1.  
 FIG. 6 is a top view of the implementation shown in FIG. 1; and,  
 FIG. 7 is a bottom view of the implementation shown in FIG. 1.

**1 Claim, 4 Drawing Sheets**

- (56) **References Cited**  
U.S. PATENT DOCUMENTS
- 749,690 A 1/1904 Jacobsen
- 1,149,099 A 8/1915 Wahl et al.
- 1,818,287 A 8/1931 Wahl
- 1,832,437 A 11/1931 Wahl
- 1,896,351 A 2/1933 Doran
- 2,018,046 A 10/1935 Wilson



(56)

**References Cited**

U.S. PATENT DOCUMENTS

D350,608	S *	9/1994	Yu .....	D24/211
5,460,597	A	10/1995	Hopper	
5,519,292	A	5/1996	Taylor et al.	
5,725,473	A	3/1998	Taylor	
D409,152	S *	5/1999	Rao .....	D13/158
D446,308	S *	8/2001	Schmitmeyer .....	D24/200
6,422,993	B1	7/2002	Hudson	
6,579,228	B2	6/2003	Lien	
7,097,364	B2 *	8/2006	Wang .....	A61C 19/004 362/573
7,341,566	B2	3/2008	Nan	
7,438,681	B2	10/2008	Kobashikawa et al.	
D703,337	S *	4/2014	Fuhr .....	D24/200
D706,433	S *	6/2014	Fuhr .....	D24/200
D739,541	S *	9/2015	Cole .....	D24/200
D756,527	S *	5/2016	Cole .....	D24/200
2003/0023139	A1	1/2003	Hartz	
2006/0195999	A1	9/2006	Gaboury	
2007/0244418	A1	10/2007	Harkness	
2008/0082028	A1	4/2008	Blevins	
2014/0316310	A1 *	10/2014	Ackermann .....	A61N 1/36046 601/46
2017/0368331	A1 *	12/2017	Murphy .....	A61N 1/0541

\* cited by examiner

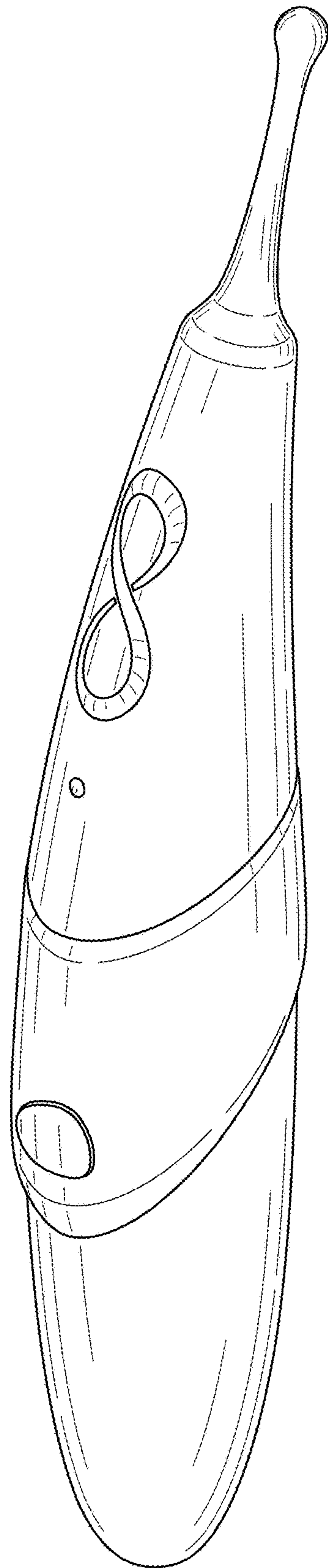


FIG. 1

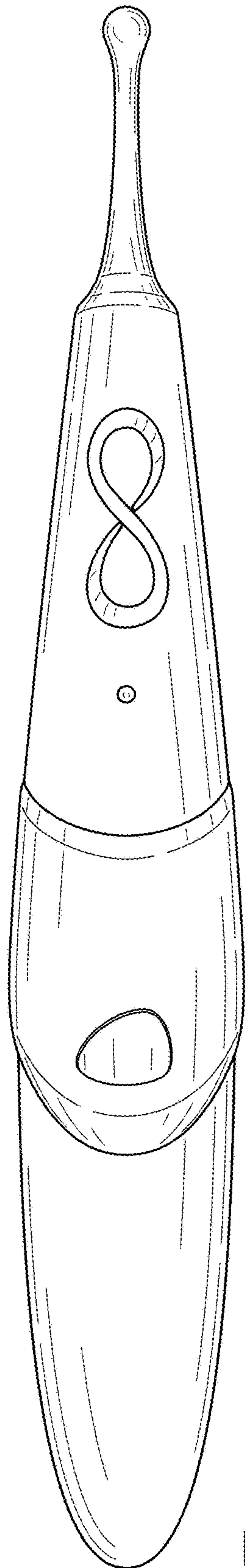


FIG. 2

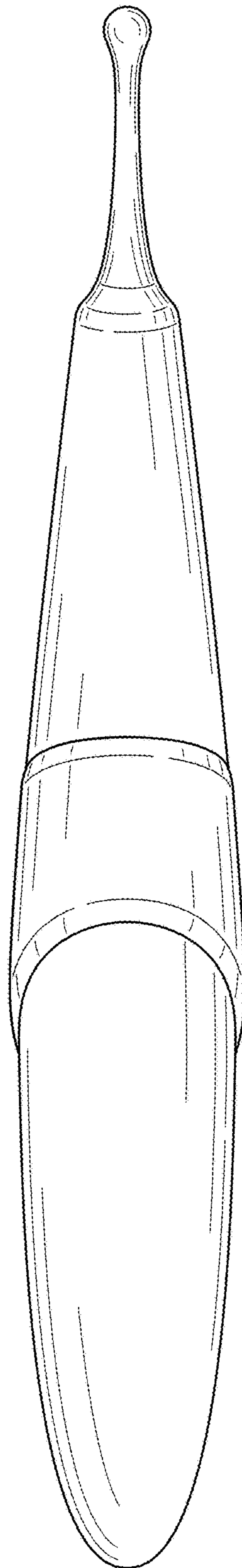


FIG. 3

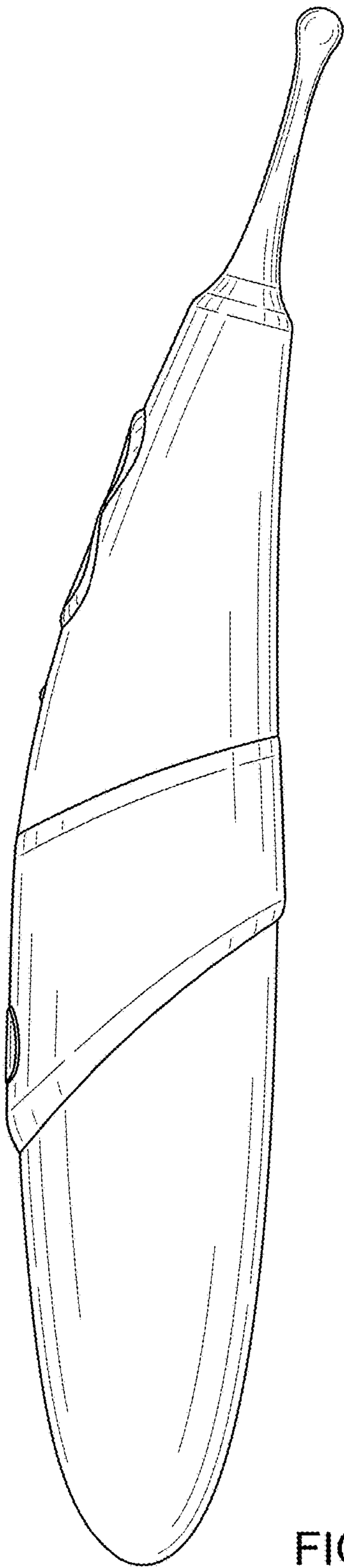


FIG. 4

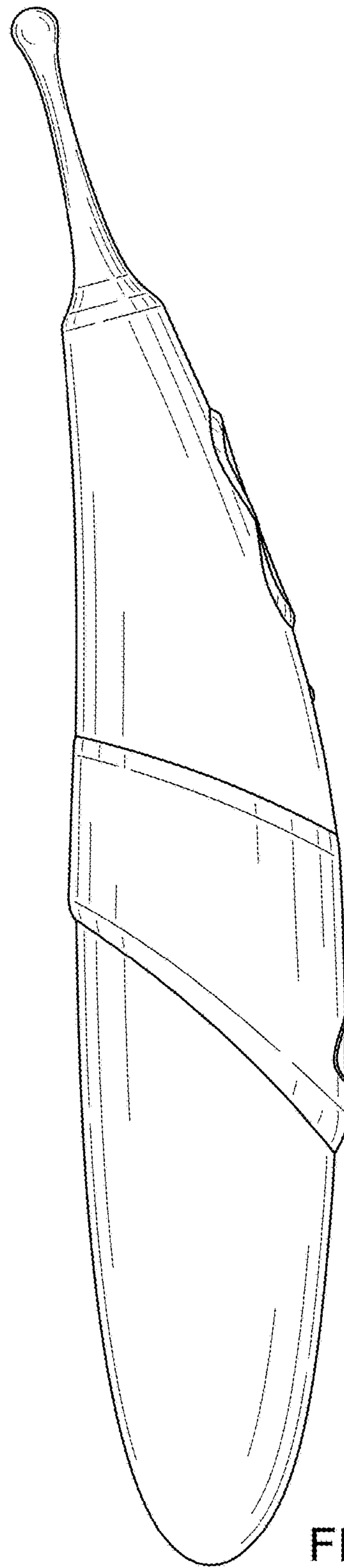


FIG. 5



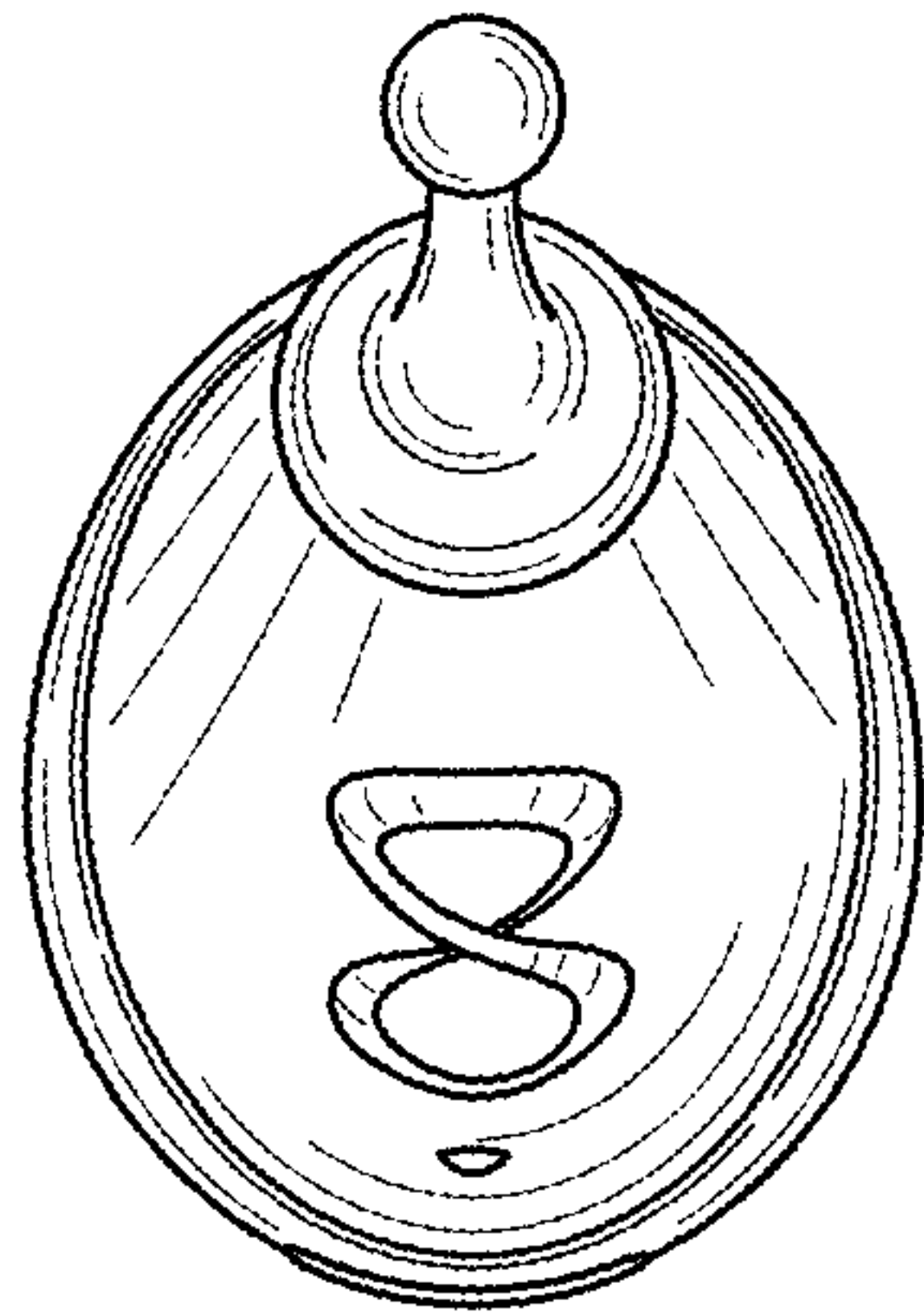


FIG. 6

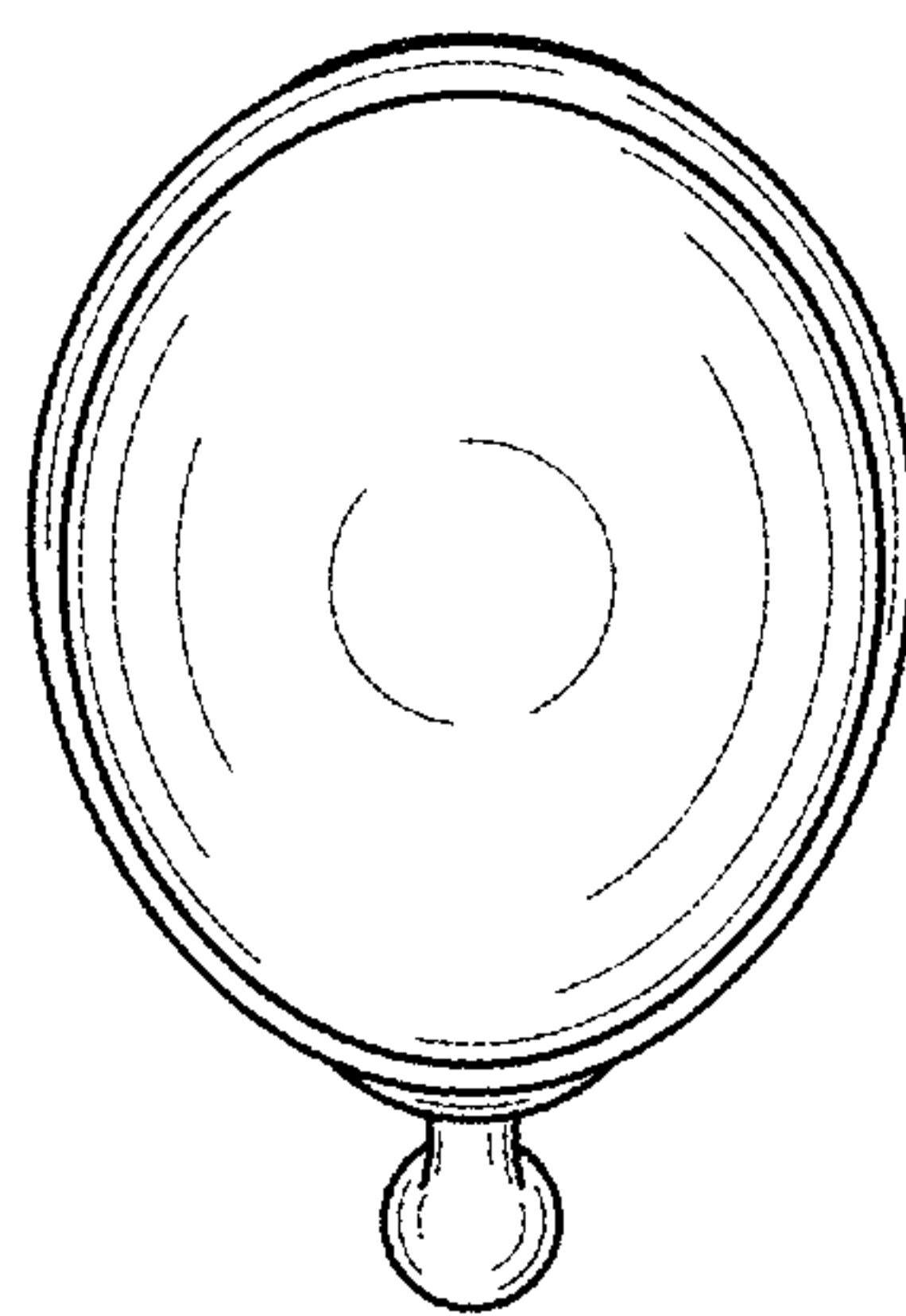


FIG. 7