



US00D837992S

(12) **United States Design Patent** (10) **Patent No.:** **US D837,992 S**
Harder et al. (45) **Date of Patent:** **** Jan. 8, 2019**

(54) **SPA WITH INTEGRATED TABLE**
(71) Applicant: **LMI IP, LLC**, Winter Park, FL (US)
(72) Inventors: **Gary Harder**, Lake Mary, FL (US);
David A. Wright, Lakeland, FL (US)
(73) Assignee: **LMI IP, LLC**, Winter Park, FL (US)
(**) Term: **15 Years**
(21) Appl. No.: **29/617,576**
(22) Filed: **Sep. 14, 2017**
(51) **LOC (11) Cl.** **23-02**
(52) **U.S. Cl.**
USPC **D24/204**
(58) **Field of Classification Search**
USPC D24/201–205; D23/276–278,
D23/280.1–280.3
CPC A61H 2201/0107; A61H 33/0087; A61H
33/6005; A61H 33/6052; A61H 33/6063
See application file for complete search history.

D634,021 S * 3/2011 Larsen D24/204
D702,846 S * 4/2014 Larsen D24/204
D800,328 S * 10/2017 Harder D24/204
D820,462 S * 6/2018 Larsen D24/204

* cited by examiner

Primary Examiner — Anhdao Doan

(74) *Attorney, Agent, or Firm* — Larson & Larson, P.A.;
Frank Liebenow; Justin P. Miller

(57) **CLAIM**

The ornamental design for a spa with integrated table, as shown and described.

DESCRIPTION

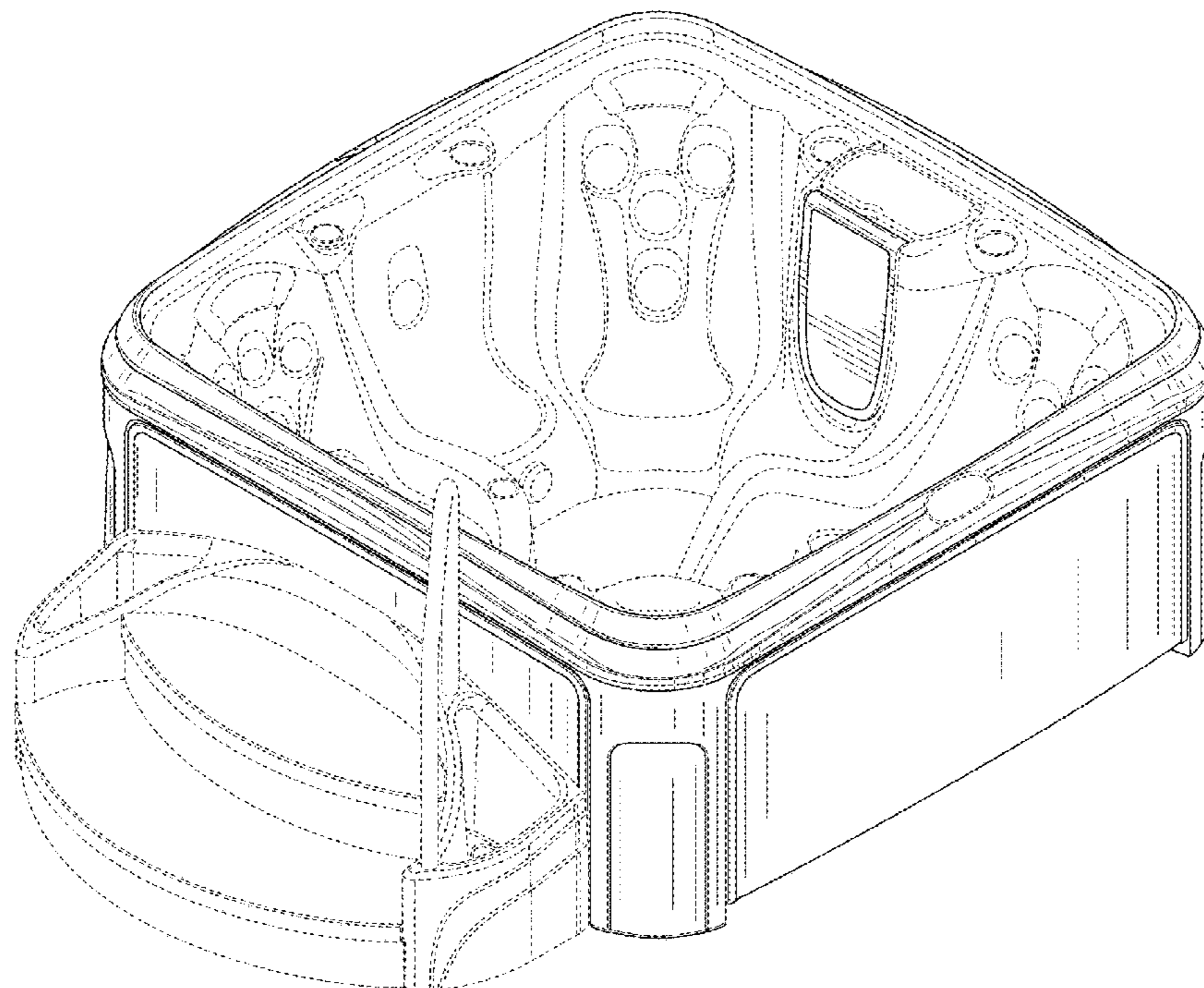
FIG. 1 is a perspective view of a spa with integrated table showing our new design;
FIG. 2 is a second perspective view of the spa with integrated table in an extended position;
FIG. 3 is a front elevation view thereof;
FIG. 4 is a rear elevation view thereof;
FIG. 5 is a left side elevation view thereof;
FIG. 6 is a right-side elevation view thereof; and,
FIG. 7 is a top plan view thereof.
The broken lines immediately adjacent the shaded areas represent the bounds of the claim, while all other broken lines are directed to environment and are for illustrative purposes only; the broken lines form no part of the claimed design.

(56) **References Cited**

U.S. PATENT DOCUMENTS

D454,643 S * 3/2002 Gibson D24/204
D491,648 S * 6/2004 Shimizu D23/304

1 Claim, 6 Drawing Sheets



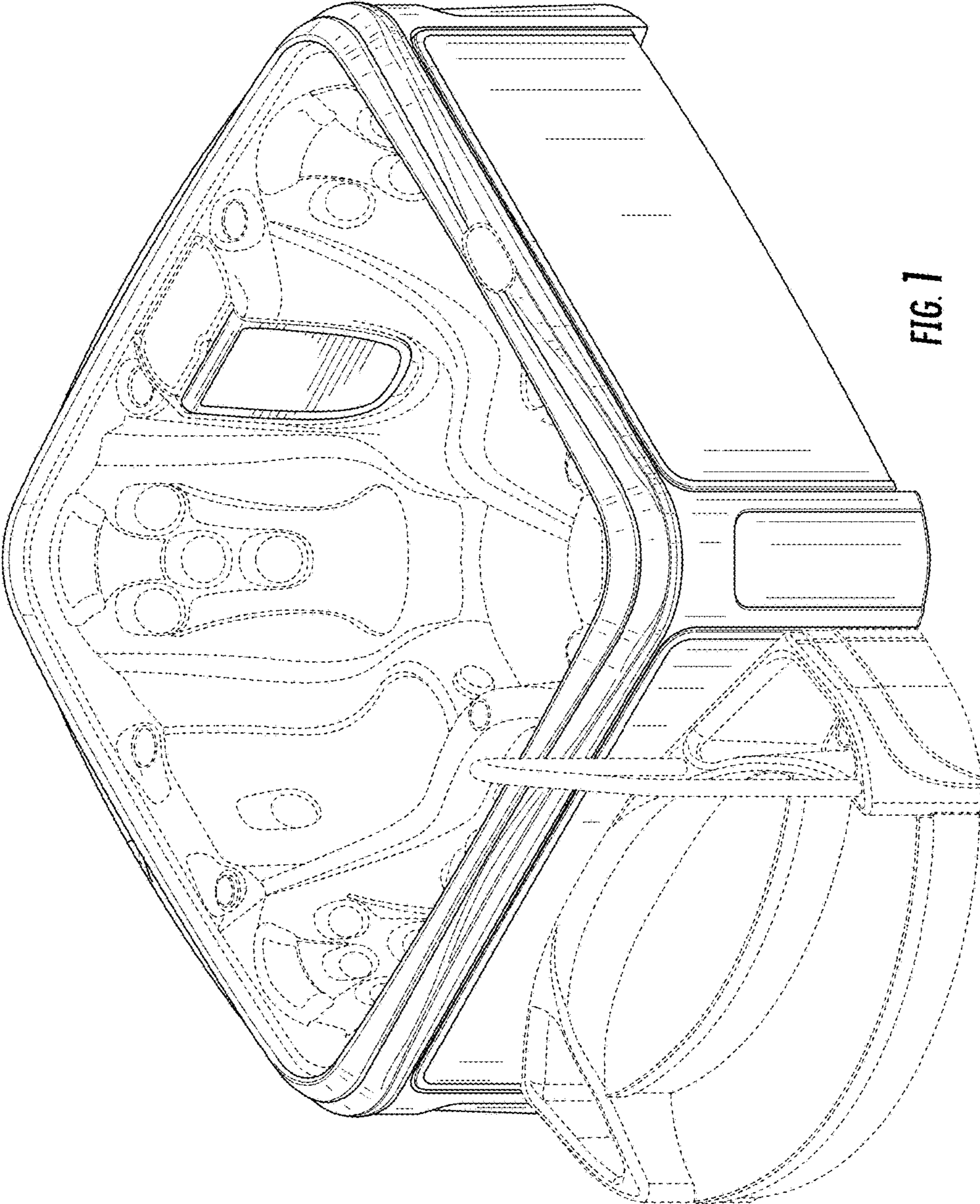


FIG. 1

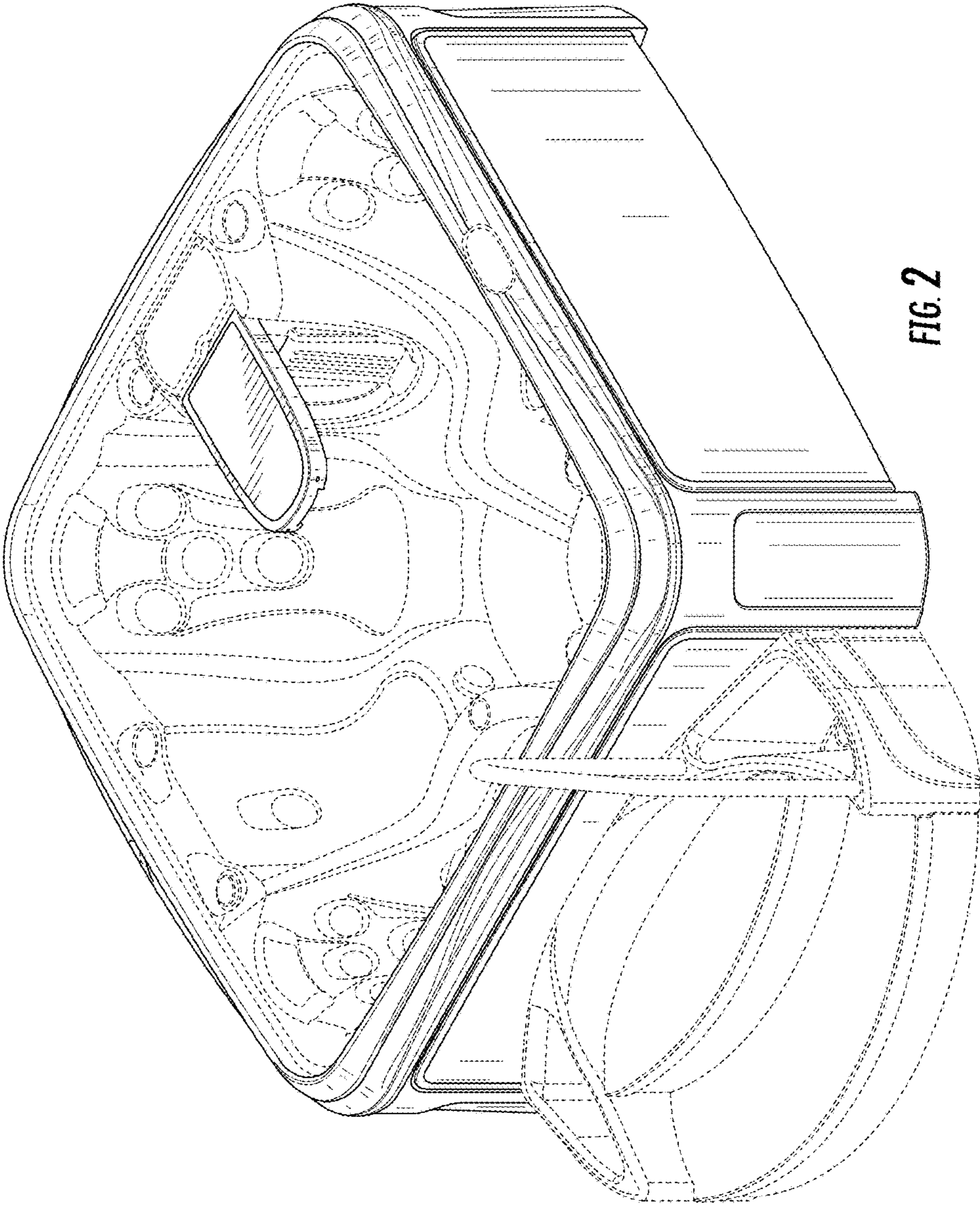


FIG. 2

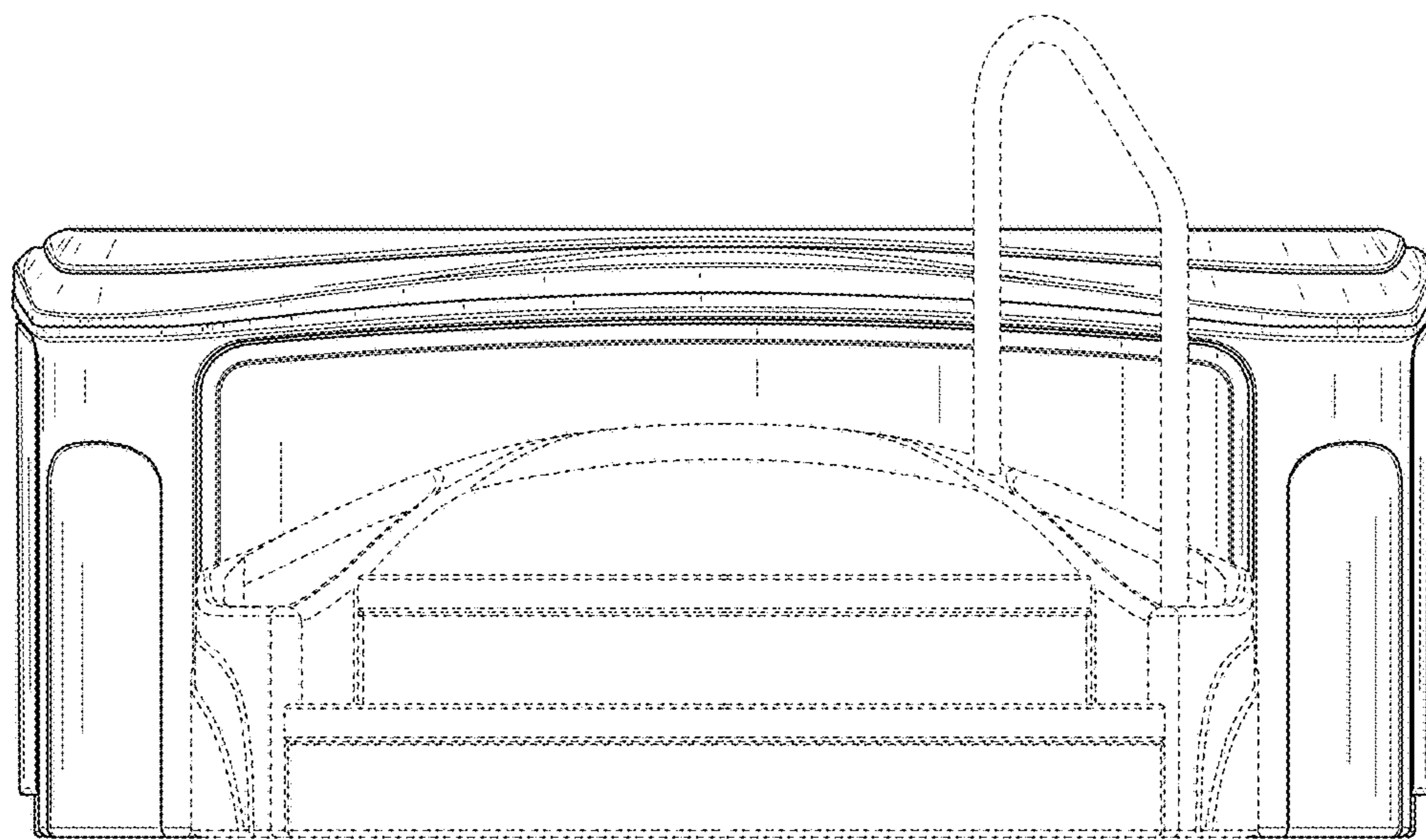


FIG. 3

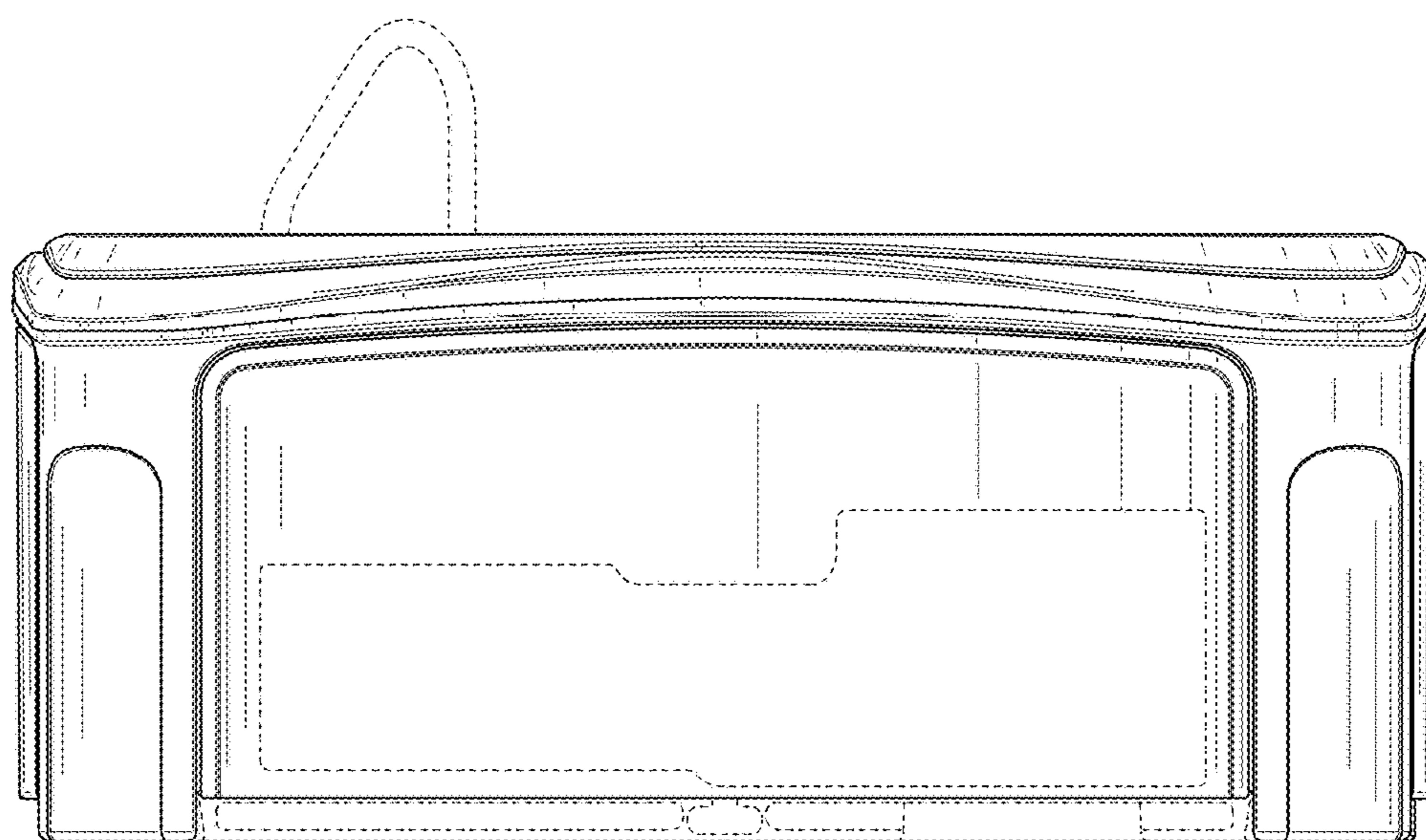


FIG. 4

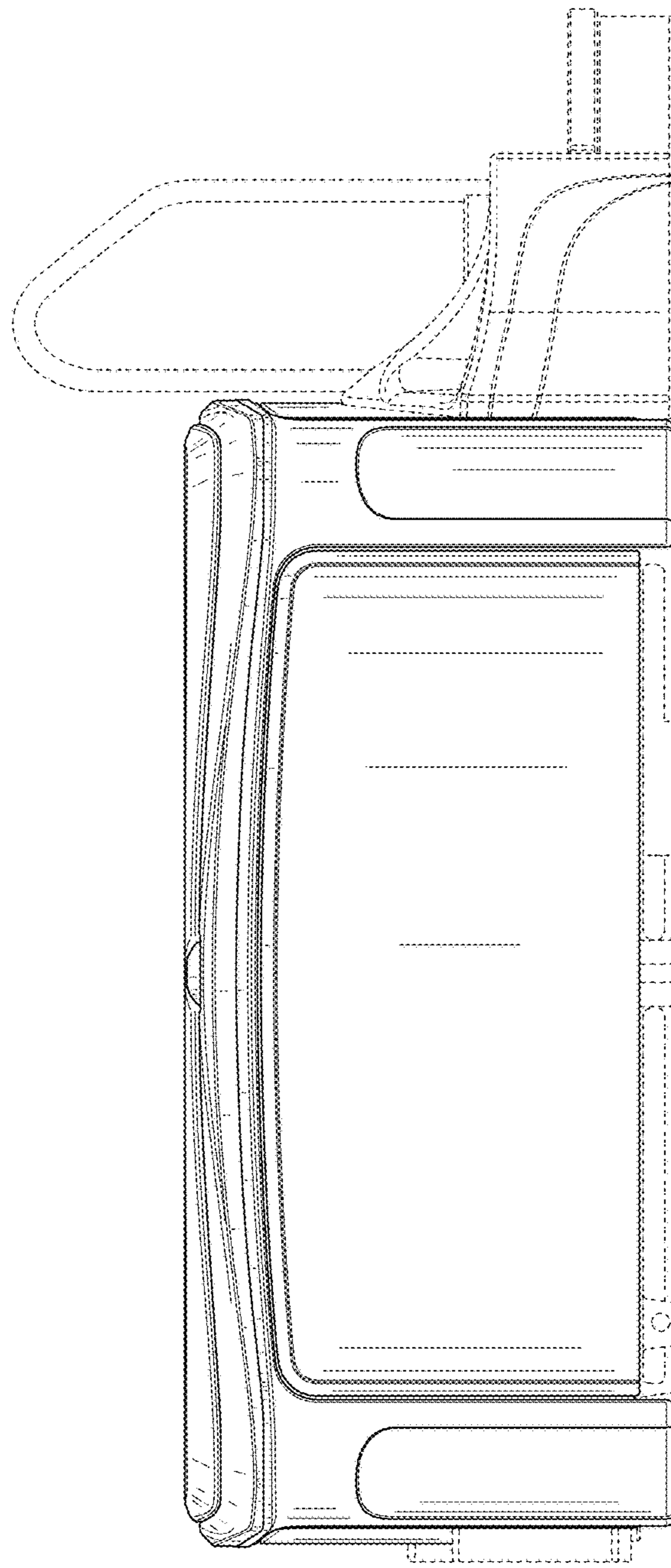


FIG. 5

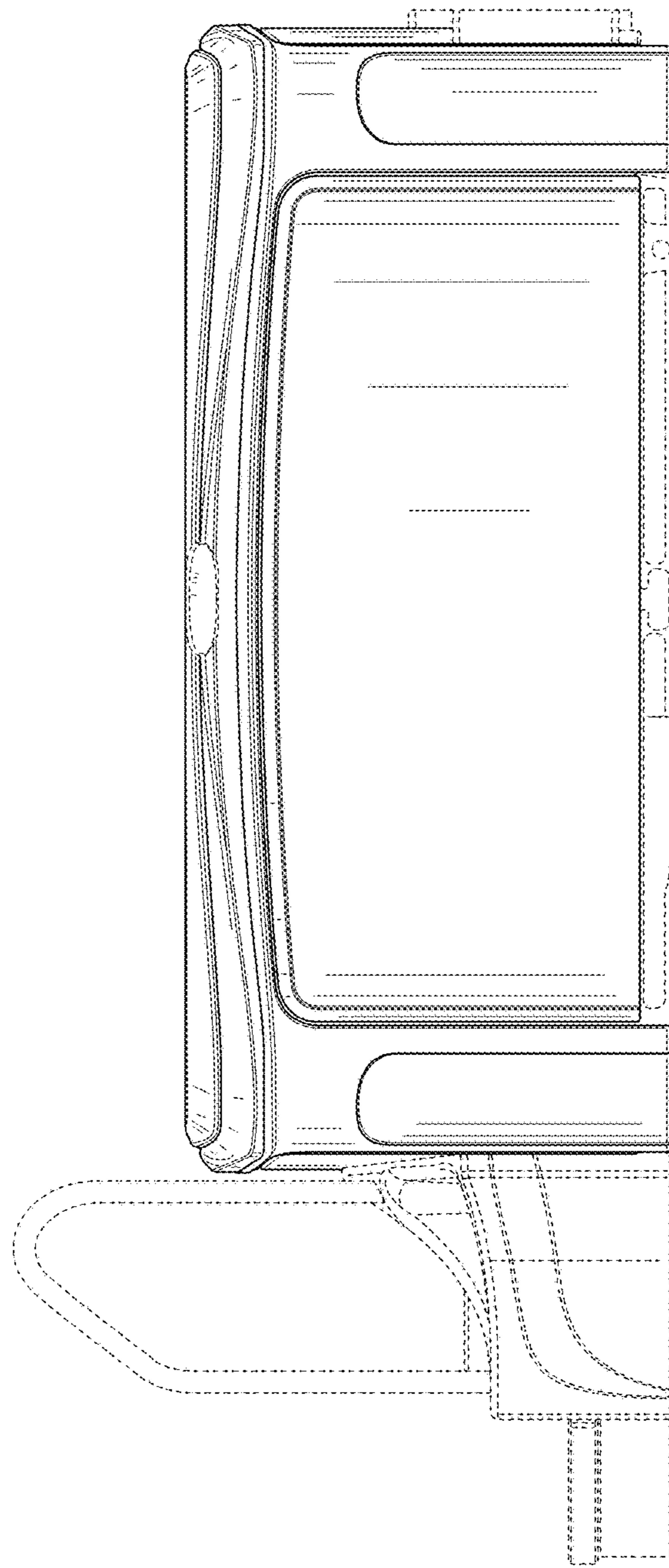


FIG. 6

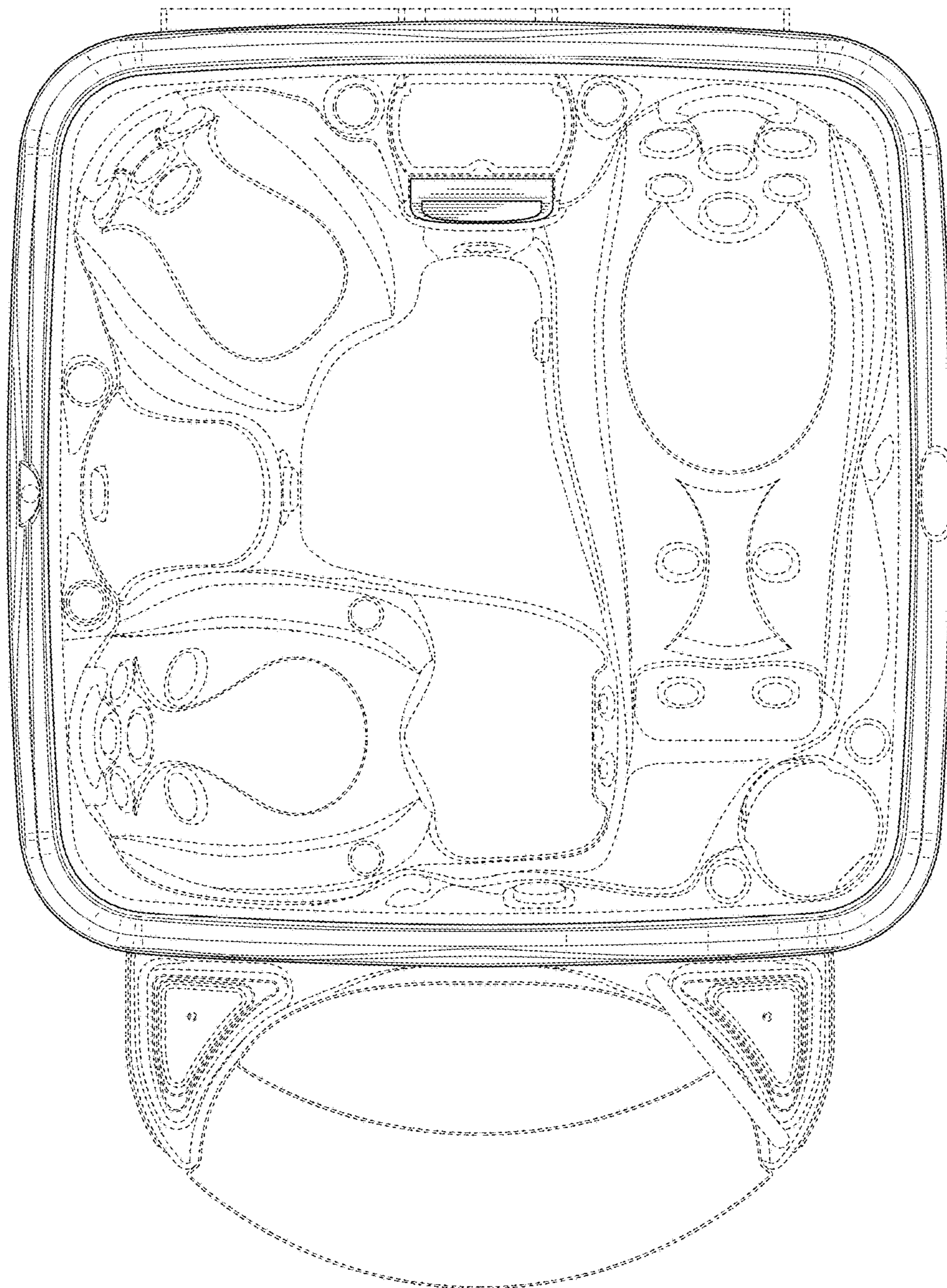


FIG. 7