



US00D837989S

(12) **United States Design Patent** (10) **Patent No.:** **US D837,989 S**  
**Ginn** (45) **Date of Patent:** **\*\* Jan. 8, 2019**

(54) **BABY TEETHER**

(71) Applicant: **Claire Ginn**, Salt Lake City, UT (US)  
(72) Inventor: **Claire Ginn**, Salt Lake City, UT (US)  
(73) Assignee: **Claire Ginn**, Salt Lake City, UT (US)  
(\*\*) Term: **15 Years**  
(21) Appl. No.: **29/591,988**

(22) Filed: **Jan. 25, 2017**

(51) **LOC (11) Cl.** ..... **24-04**

(52) **U.S. Cl.**  
USPC ..... **D24/194**

(58) **Field of Classification Search**  
USPC ..... D24/190, 194, 195; D30/160  
CPC ..... A61J 17/001; A61J 17/02  
See application file for complete search history.

(56) **References Cited**

**U.S. PATENT DOCUMENTS**

1,268,470	A *	6/1918	Johnson	.....	A61J 17/02
					601/139
5,843,128	A *	12/1998	Wexler	.....	A61J 17/001
					606/234
D410,747	S *	6/1999	Wexler	.....	D24/194
D451,651	S *	12/2001	Kaplan	.....	D24/211
D461,558	S *	8/2002	Schiavoni	.....	D24/176
D501,961	S *	2/2005	Jager	.....	A01K 15/026
					D30/160
D522,658	S *	6/2006	Schiavoni	.....	D24/194
D598,118	S *	8/2009	Schiavoni	.....	D24/194
8,608,600	B2 *	12/2013	Naum	.....	A63B 43/00
					473/576
D724,235	S *	3/2015	Kuneyl	.....	D24/215
D752,156	S *	3/2016	Armon	.....	D21/484

**OTHER PUBLICATIONS**

“Baby Teething Toy.” Found online Sep. 26, 2018 at www.amazon.com. Page dated Sep. 28, 2017. Retrieved from URL: <https://www.amazon.com/Baby-Teething-Toy-Silicone-Certified/dp/B072QXSHSX> (Year: 2017).\*  
“Comotomo Silicone Baby Teether.” Found online Sep. 26, 2018 at www.amazon.com. Page dated Nov. 10, 2012. Retrieved from URL: <https://tinyurl.com/y7zqjceb> (Year: 2012).\*  
“Jacks National Toy Hall of Fame.” Found online Sep. 26, 2018 at www.toyhalloffame.org. Inducted in 2000. Retrieved from URL: <http://www.toyhalloffame.org/toys/jacks> (Year: 2000).\*

\* cited by examiner

*Primary Examiner* — Garth Rademaker

*Assistant Examiner* — Katelin G Kloberg

(74) *Attorney, Agent, or Firm* — Greenberg Traurig, LLP

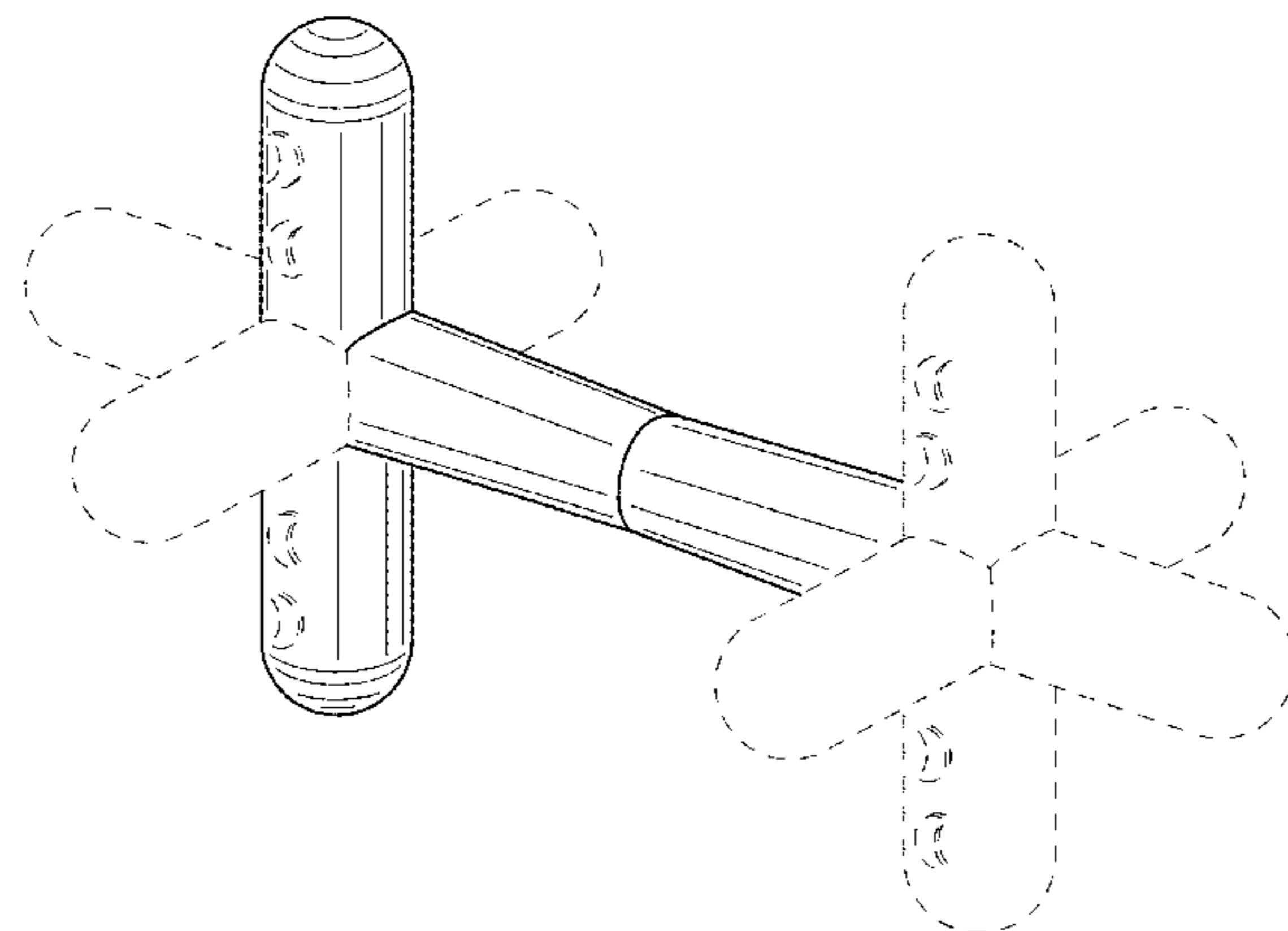
(57) **CLAIM**

The ornamental design for a baby teether, as shown and described.

**DESCRIPTION**

FIG. 1 is a perspective view of the baby teether.  
FIG. 2 is a front view of the baby teether.  
FIG. 3 is a back view of the baby teether.  
FIG. 4 is a right side view of the baby teether.  
FIG. 5 is a left side view of the baby teether.  
FIG. 6 is a top view of the baby teether; and,  
FIG. 7 is a bottom view of the baby teether.

**1 Claim, 6 Drawing Sheets**



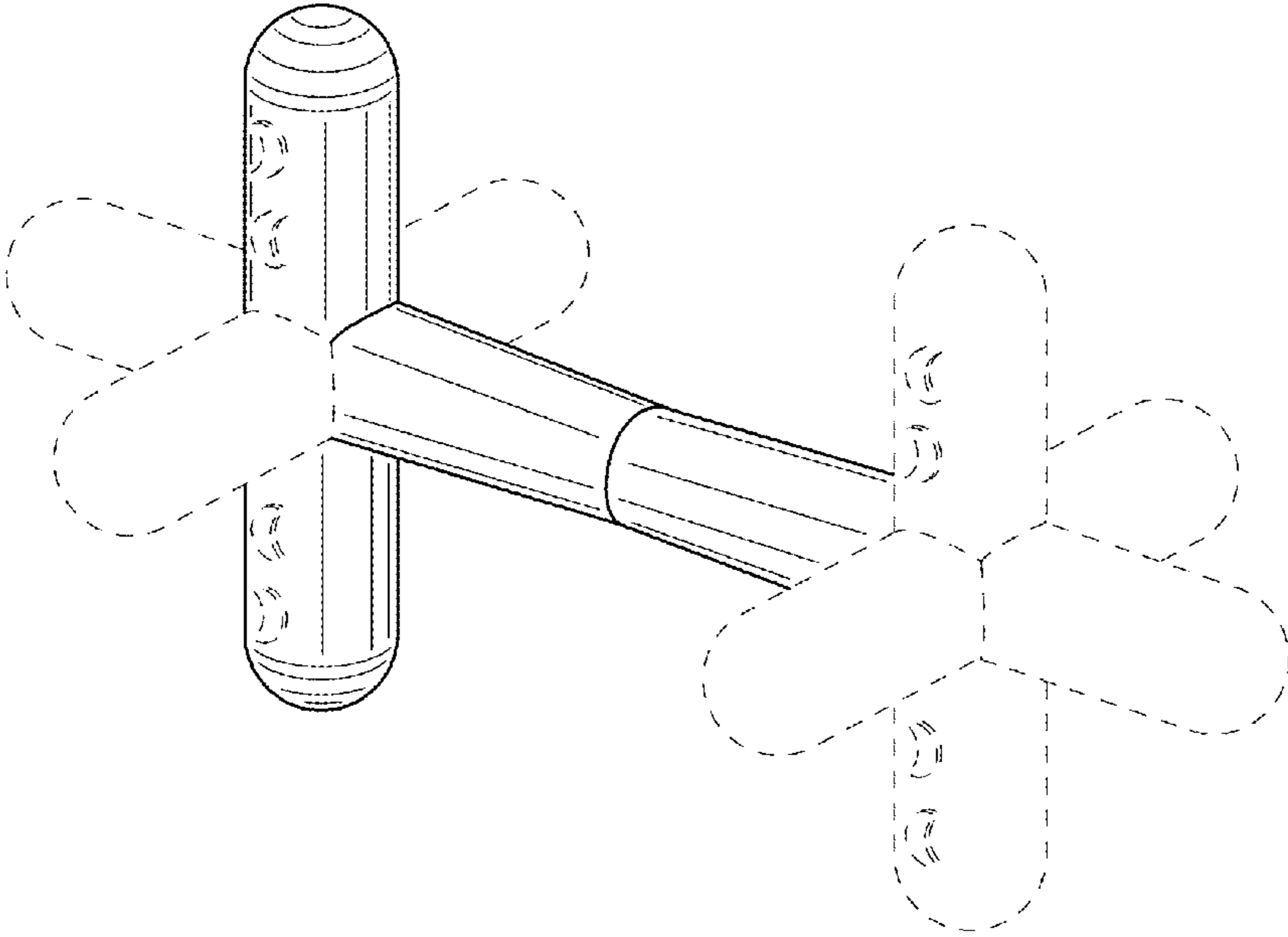


FIG.1

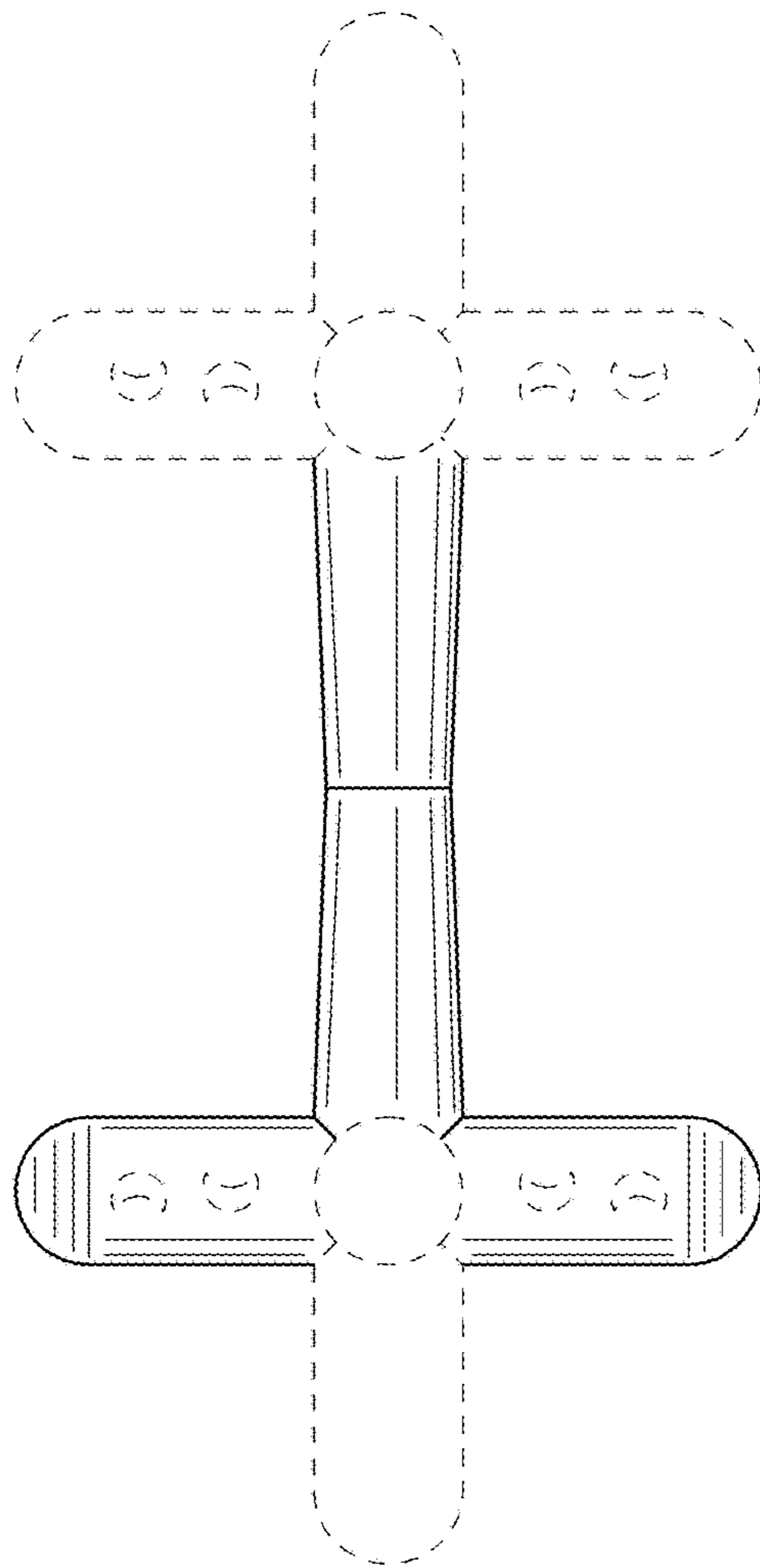


FIG. 2

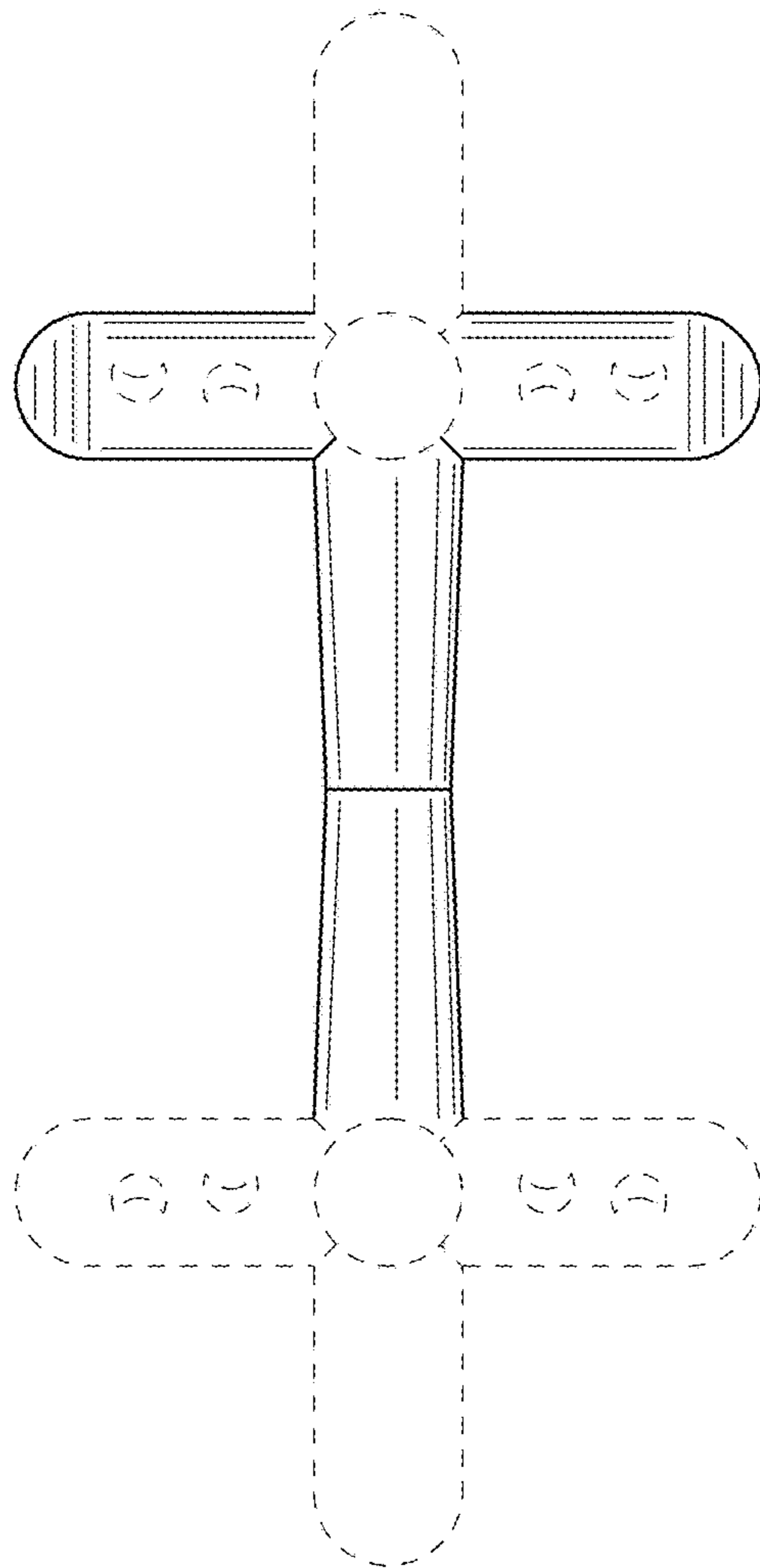


FIG. 3

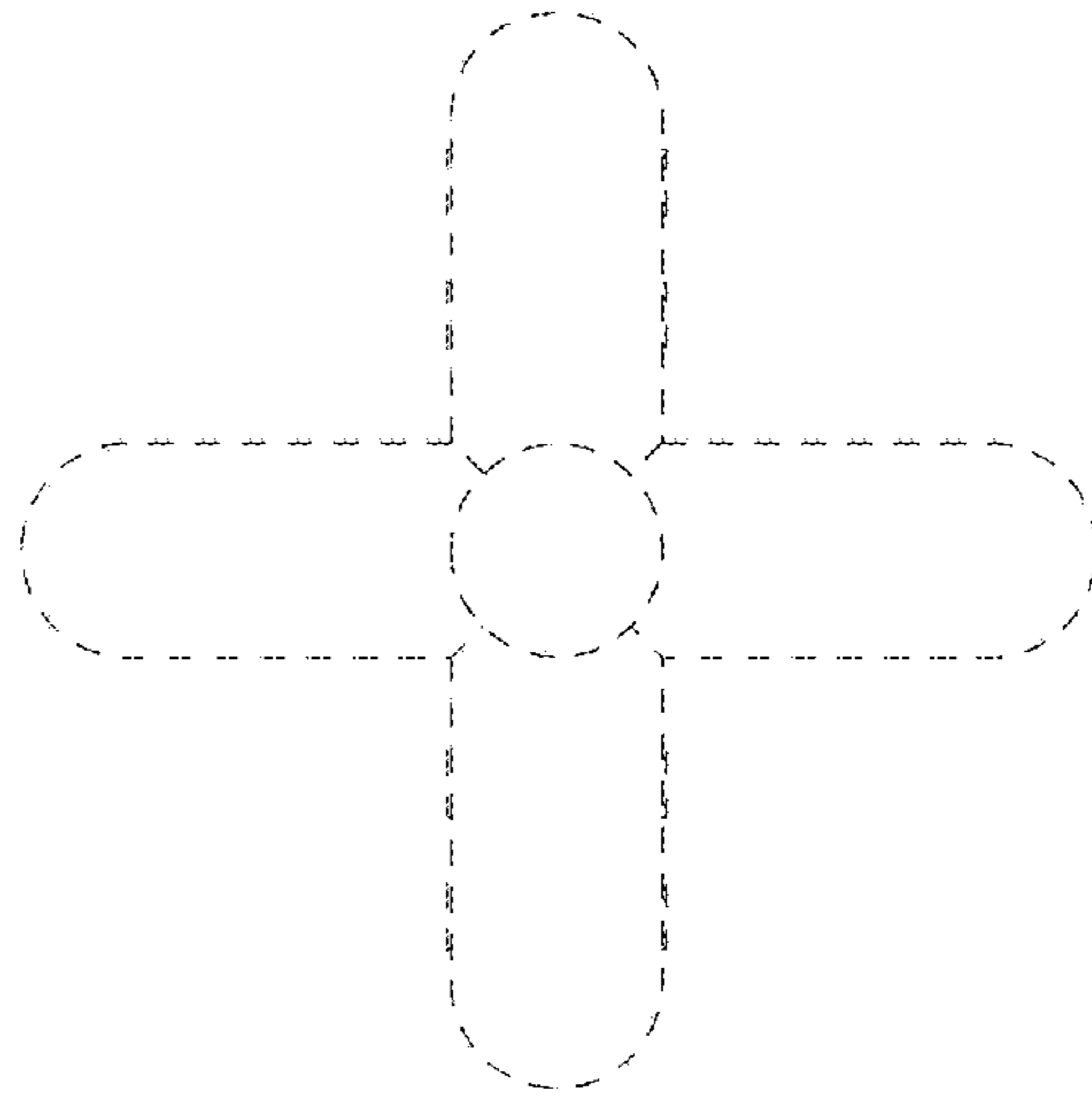


FIG. 4

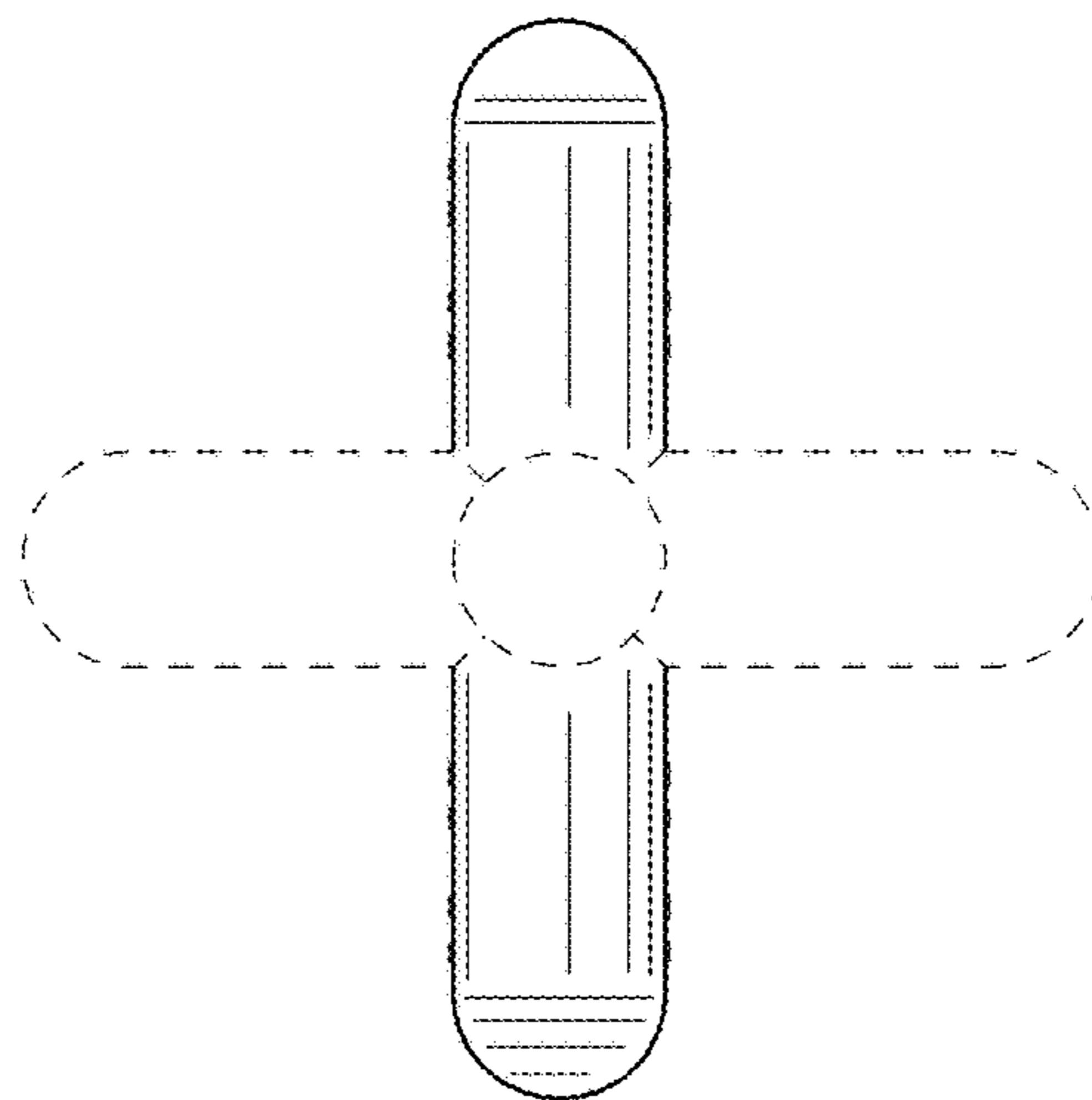


FIG. 5

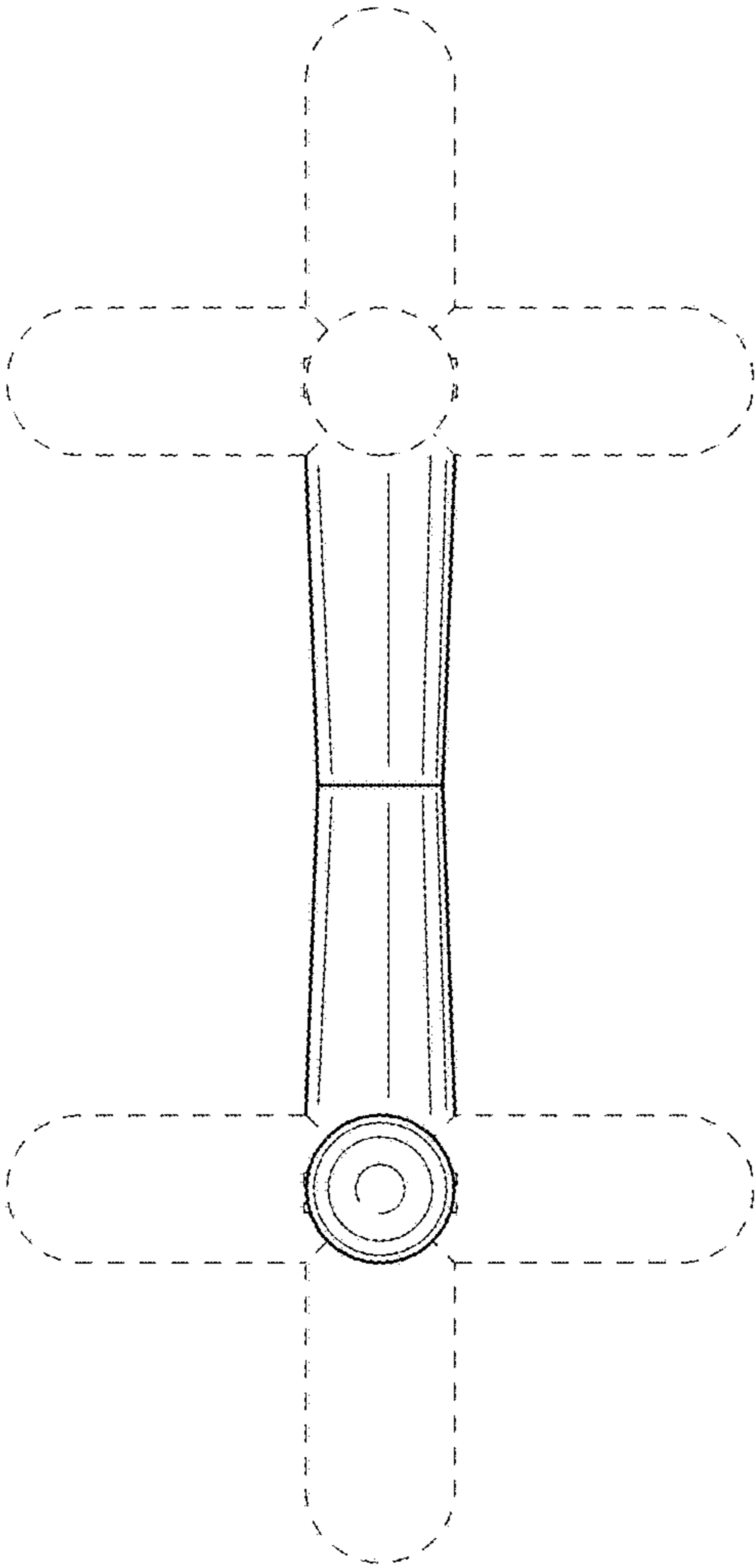


FIG.6

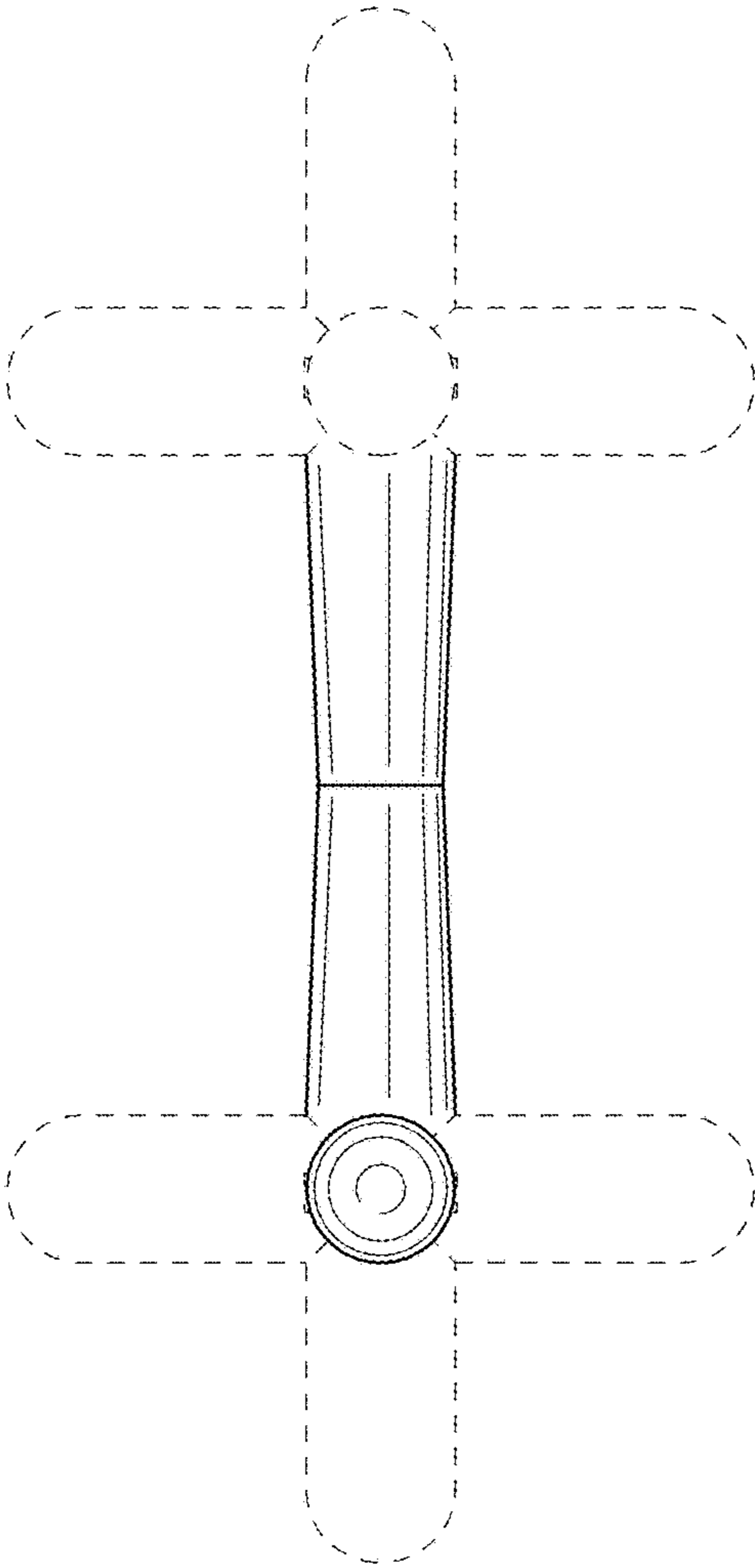


FIG.7