



US00D837988S

(12) **United States Design Patent**
Khubani et al.

(10) **Patent No.:** **US D837,988 S**
(45) **Date of Patent:** **** Jan. 8, 2019**

(54) **ANKLE SLEEVE**

(71) Applicants: **Anand Khubani**, Towaco, NJ (US);
David Gulino, Tuckahoe, NY (US)

(72) Inventors: **Anand Khubani**, Towaco, NJ (US);
David Gulino, Tuckahoe, NY (US)

(73) Assignee: **IdeaVillage Products Corporation**,
Wayne, NJ (US)

(**) Term: **15 Years**

(21) Appl. No.: **29/620,729**

(22) Filed: **May 16, 2017**

(51) **LOC (11) Cl.** **24-01**

(52) **U.S. Cl.**
USPC **D24/192**

(58) **Field of Classification Search**
USPC D24/155, 188–192, 199, 200, 206,
D24/212–214; D29/113, 117.1, 117.2,
D29/118, 119, 120.1, 121.1, 121.2, 123;
D2/610, 612, 616, 617, 621, 980,
D2/983–988, 994
CPC A41B 17/00; A43B 3/12; D04B 1/26
See application file for complete search history.

(56) **References Cited**

U.S. PATENT DOCUMENTS

D580,557 S	*	11/2008	Lin	D24/192
D581,057 S	*	11/2008	Lin	D24/192
D623,756 S	*	9/2010	Chiang	D24/190
D623,761 S	*	9/2010	Chiang	D24/192
D623,762 S	*	9/2010	Chiang	D24/192
D623,763 S	*	9/2010	Chiang	D24/192
D635,266 S	*	3/2011	Chiang	D24/190
D654,181 S	*	2/2012	Chiang	D24/190
D654,182 S	*	2/2012	Chiang	D24/190
D746,997 S	*	1/2016	Higgins	D24/190
D785,804 S	*	5/2017	Matfus	D24/190
D800,323 S	*	10/2017	Cox	D24/190

OTHER PUBLICATIONS

Go 2 Socks. Ankle Compression Sleeve Unisex Black. 2018 [earliest online date], [site visited May 15, 2018]. Available from Internet, <URL:https://go2socks.com/shop/black-unisex-ankle-sleeves/>. (Year: 2018).*

Tommie Copper. Women’s Core Compression Ankle Sleeve. 2011 [earliest online date], [site visited May 15, 2018]. Available from Internet, <URL:https://www.tommiecopper.com/women-s-recovery-compression-ankle-sleeve/>. (Year: 2011).*

McDavid. Ankle support mesh straps. 2017 [earliest online date], [site visited May 15, 2018]. Available from Internet, <URL:https://www.mcdavid.eu/shop/ankle-support-mesh/>. (Year: 2017).*

* cited by examiner

Primary Examiner — George D. Kirschbaum
Assistant Examiner — Darcey E Heflin

(74) *Attorney, Agent, or Firm* — Dan DeLaRosa

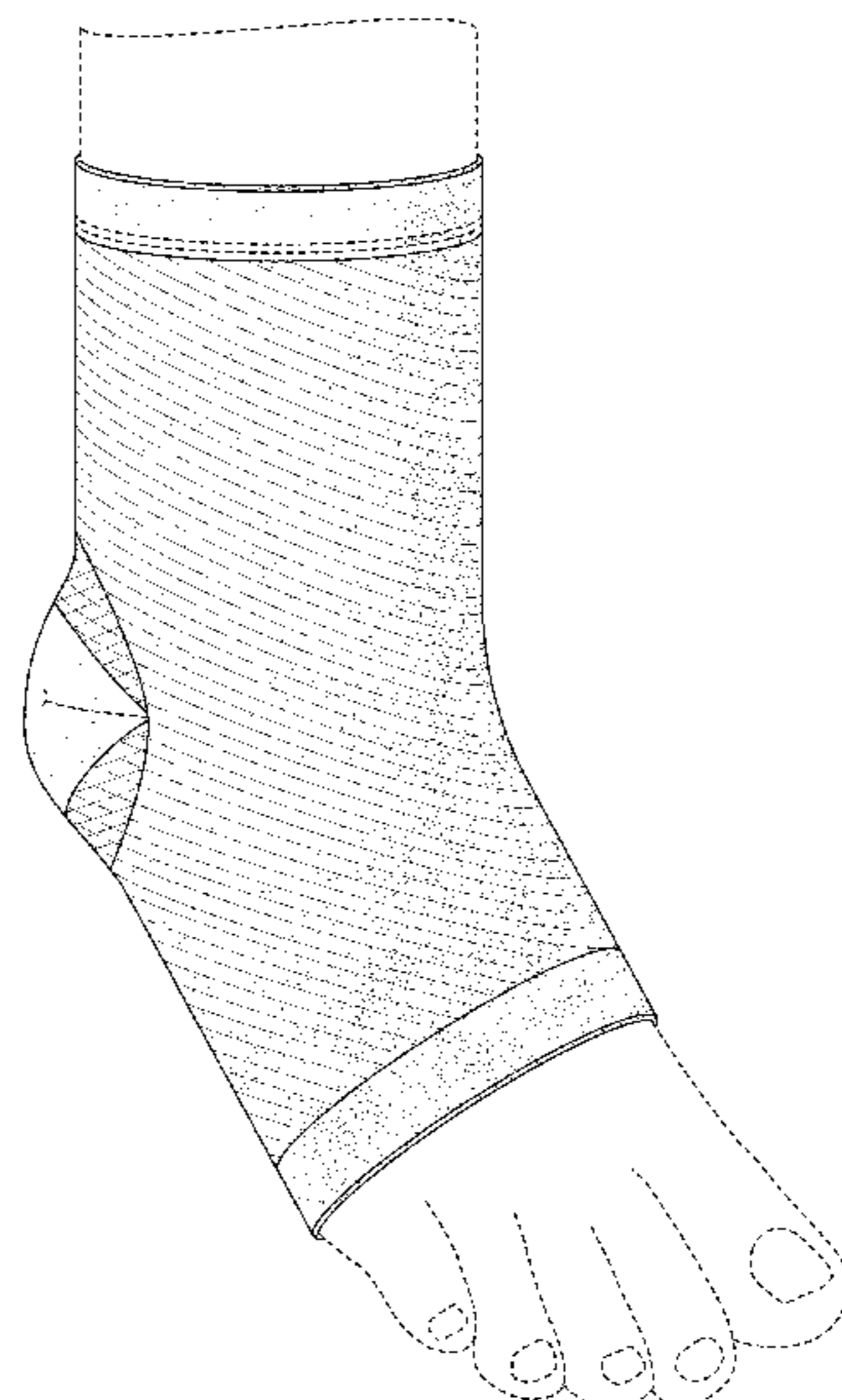
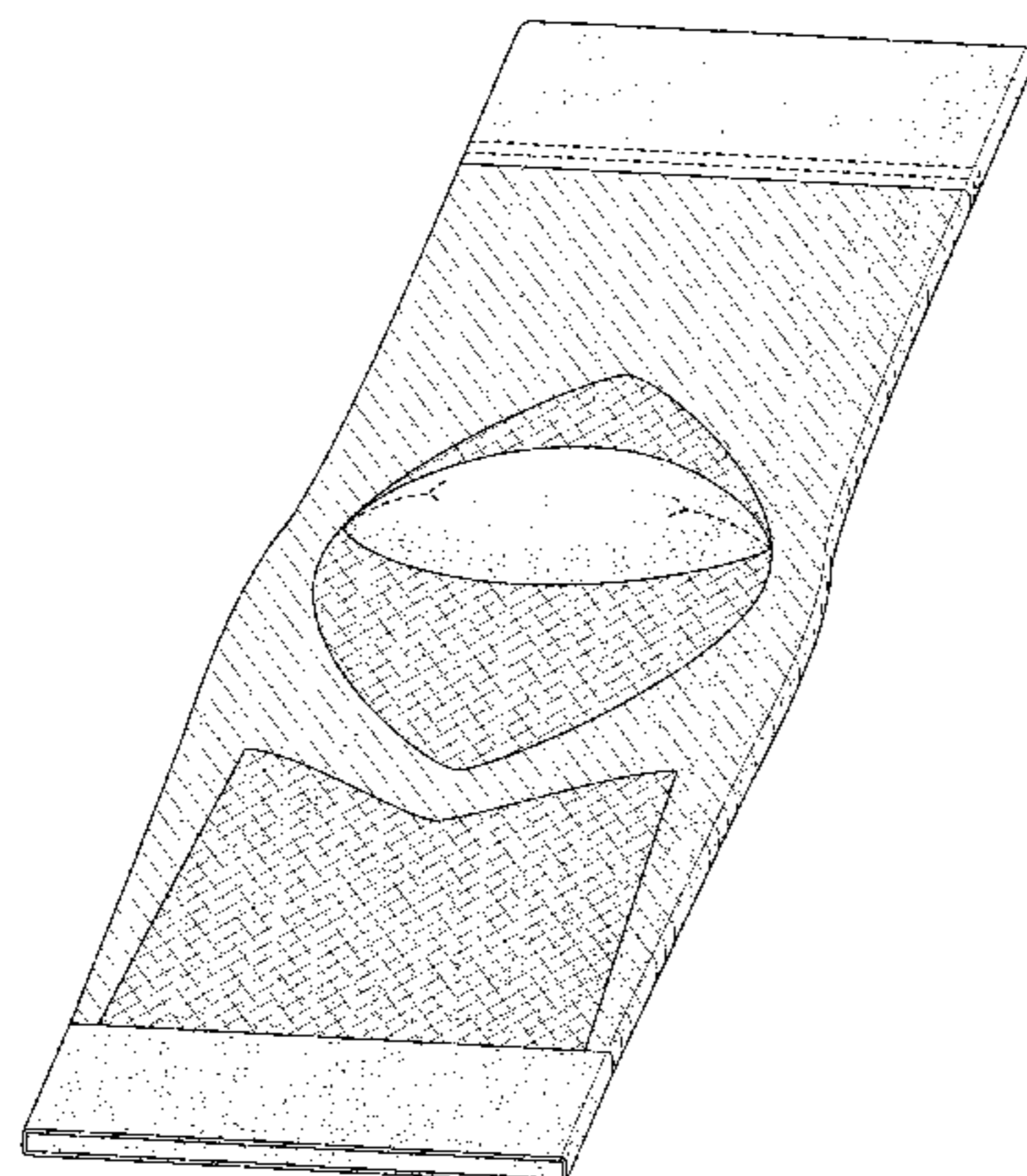
(57) **CLAIM**

The ornamental design for an ankle sleeve, as shown and described.

DESCRIPTION

FIG. 1 is a front perspective view of an ankle sleeve of the present invention showing my new design; FIG. 2 is a front side elevation view thereof; FIG. 3 is back side elevation view thereof; FIG. 4 is a side elevation view thereof; FIG. 5 is another side elevation view thereof; FIG. 6 is a top plan view thereof; FIG. 7 is a bottom plan view thereof; and, FIG. 8 is a perspective view of FIG. 1 in use. In the drawings, the broken lines show portions of an ankle sleeve that form no part claim and show environment in FIG. 8 that form no part thereof.

1 Claim, 6 Drawing Sheets



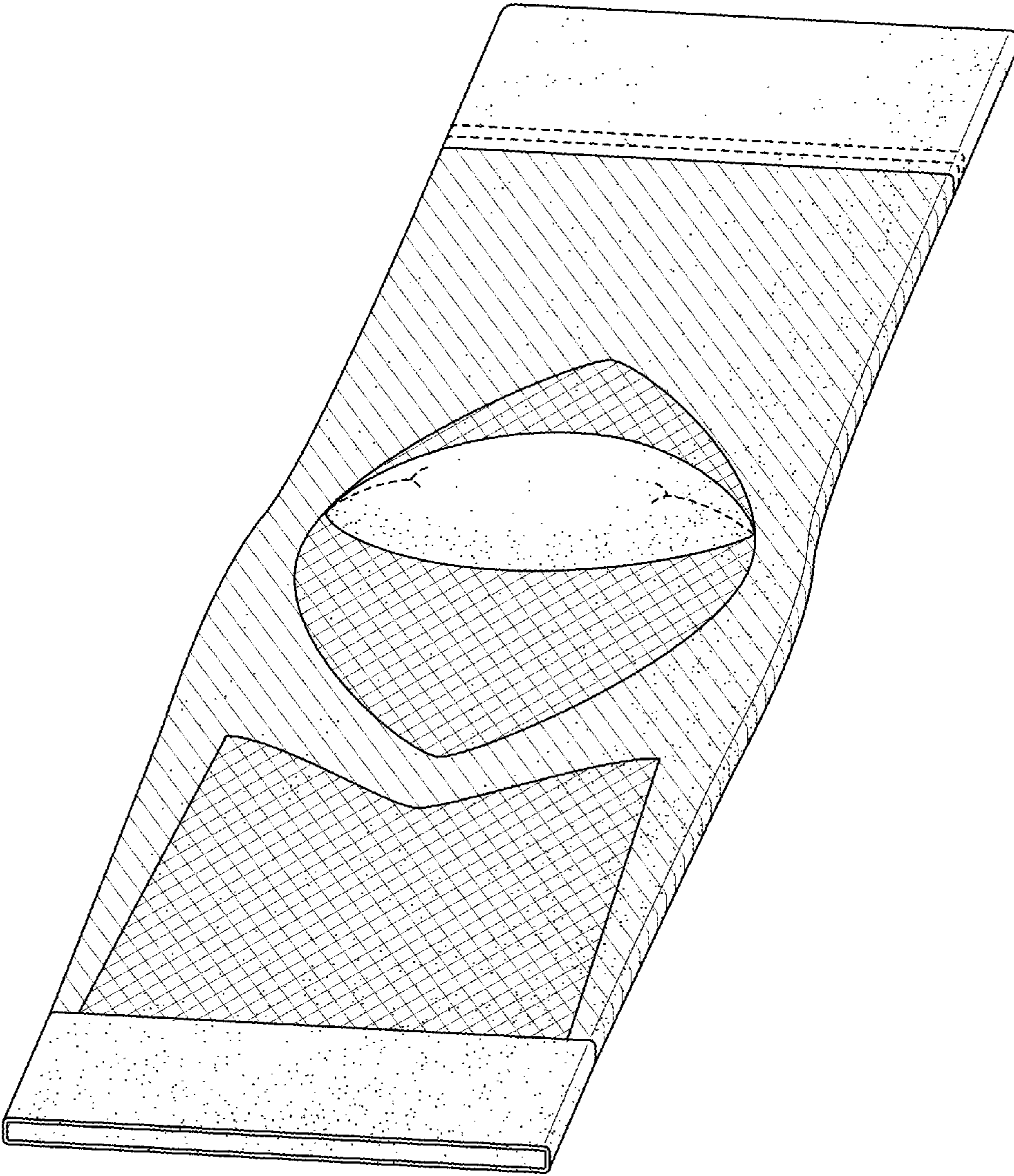


FIG. 1

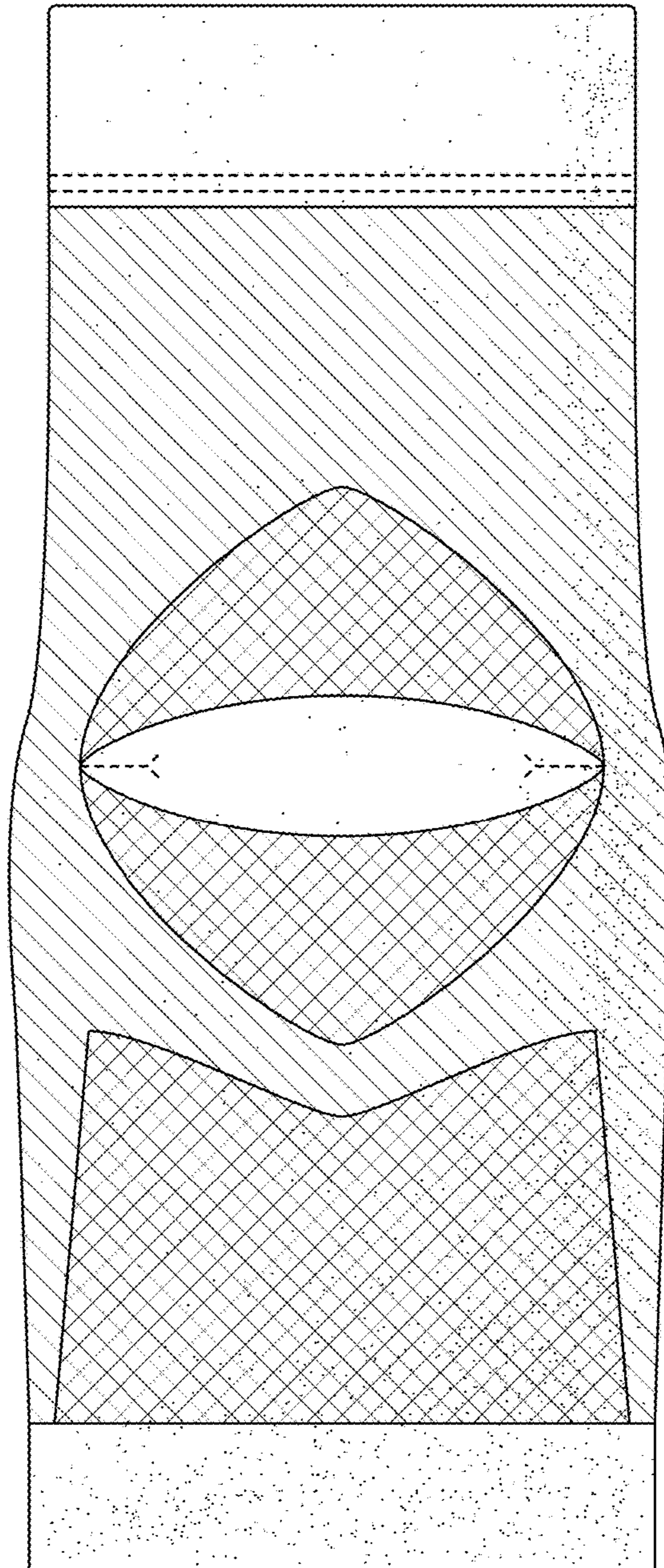


FIG. 2

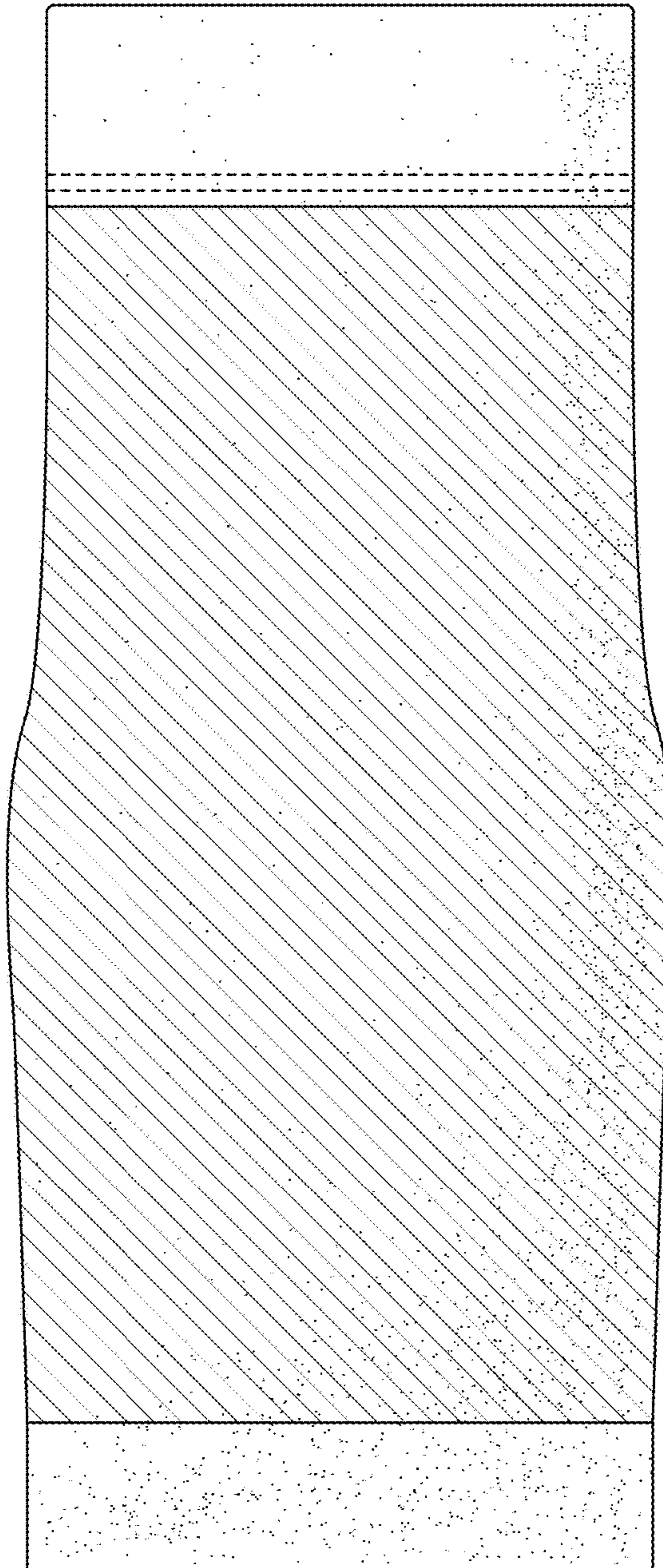


FIG. 3



FIG. 4



FIG. 5

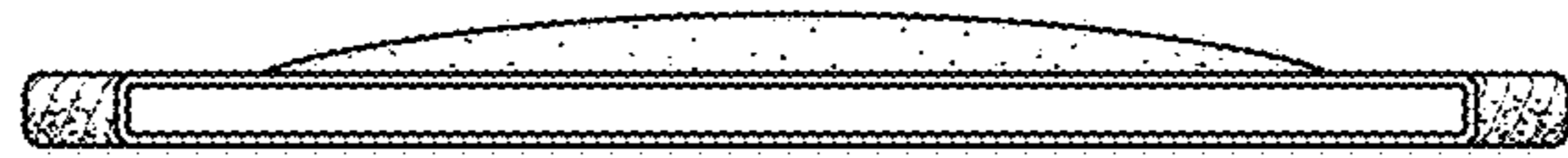


FIG. 6



FIG. 7

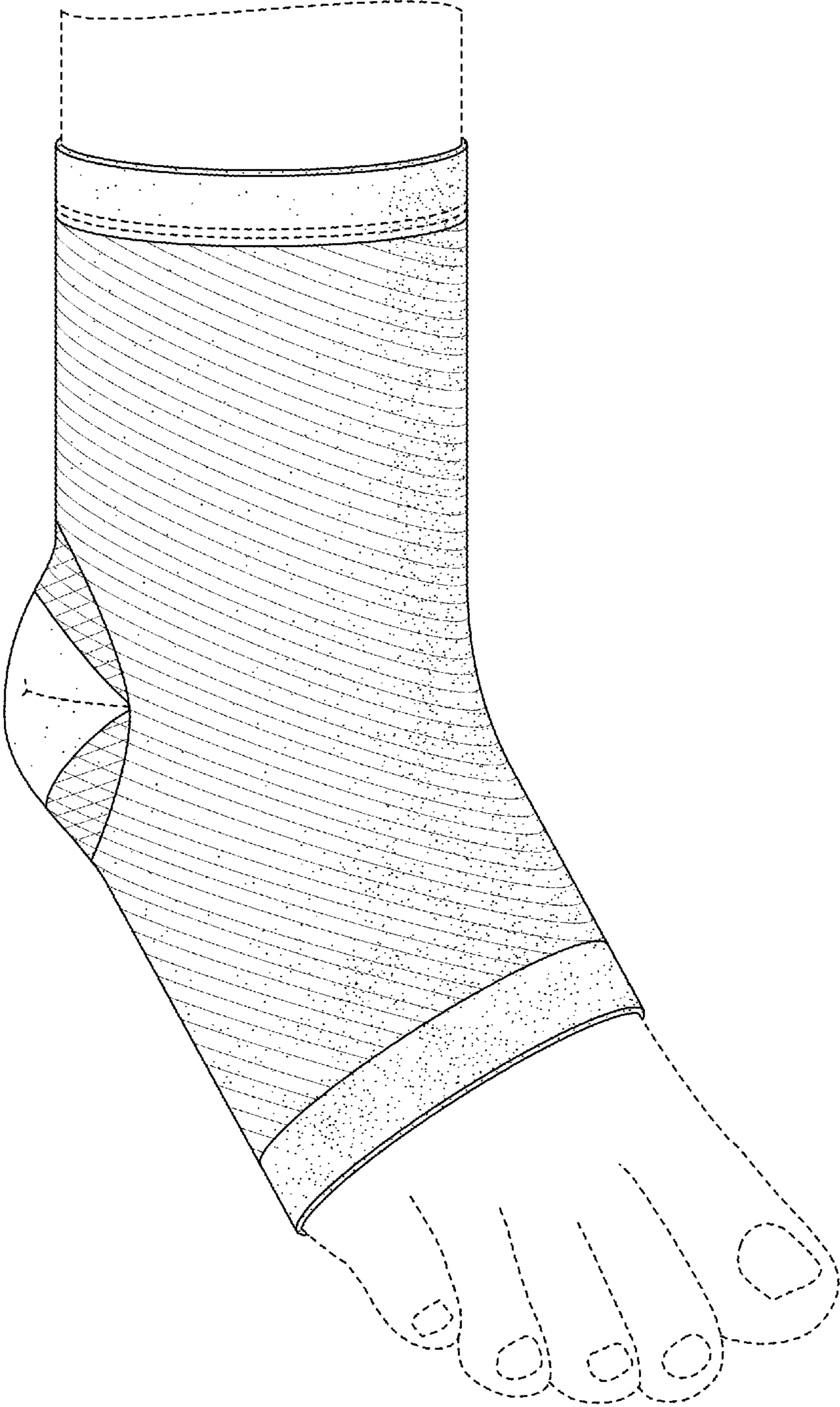


FIG. 8