

US00D837981S

(12) **United States Design Patent**
Davydov et al.

(10) **Patent No.:** **US D837,981 S**
(45) **Date of Patent:** **** Jan. 8, 2019**

- (54) **MANDIBULAR C-CLAMP**
- (71) Applicant: **Albert Davydov**, Forest Hills, NY (US)
- (72) Inventors: **Albert Davydov**, Forest Hills, NY (US); **Peter Usov**, Belle Mead, NJ (US)
- (73) Assignee: **Albert Davydov**, Forest Hills, NY (US)
- (**) Term: **15 Years**
- (21) Appl. No.: **29/632,603**
- (22) Filed: **Jan. 9, 2018**
- (51) **LOC (11) Cl.** **24-02**
- (52) **U.S. Cl.**
USPC **D24/143**; D24/176
- (58) **Field of Classification Search**
USPC D24/143, 182, 176, 185; 433/44, 68;
D8/72-73
CPC A61C 19/00; A61C 19/045; A61C 19/05;
A61C 11/025; A61C 11/06; A61B 17/025
See application file for complete search history.

- 2,832,137 A * 4/1958 Moore A61C 19/045
433/73
- D248,870 S * 8/1978 Hass D24/176
- 5,090,901 A * 2/1992 Levandoski A61C 19/045
433/56
- 5,810,586 A * 9/1998 Fjelstad A61C 19/05
33/513
- 6,168,601 B1 * 1/2001 Martini A61B 17/025
433/140
- D820,449 S * 6/2018 Jacobson D24/143

* cited by examiner

Primary Examiner — Wan Laymon

(74) *Attorney, Agent, or Firm* — Anna Vishev

(57) **CLAIM**

The ornamental design for a mandibular c-clamp, as shown and described.

DESCRIPTION

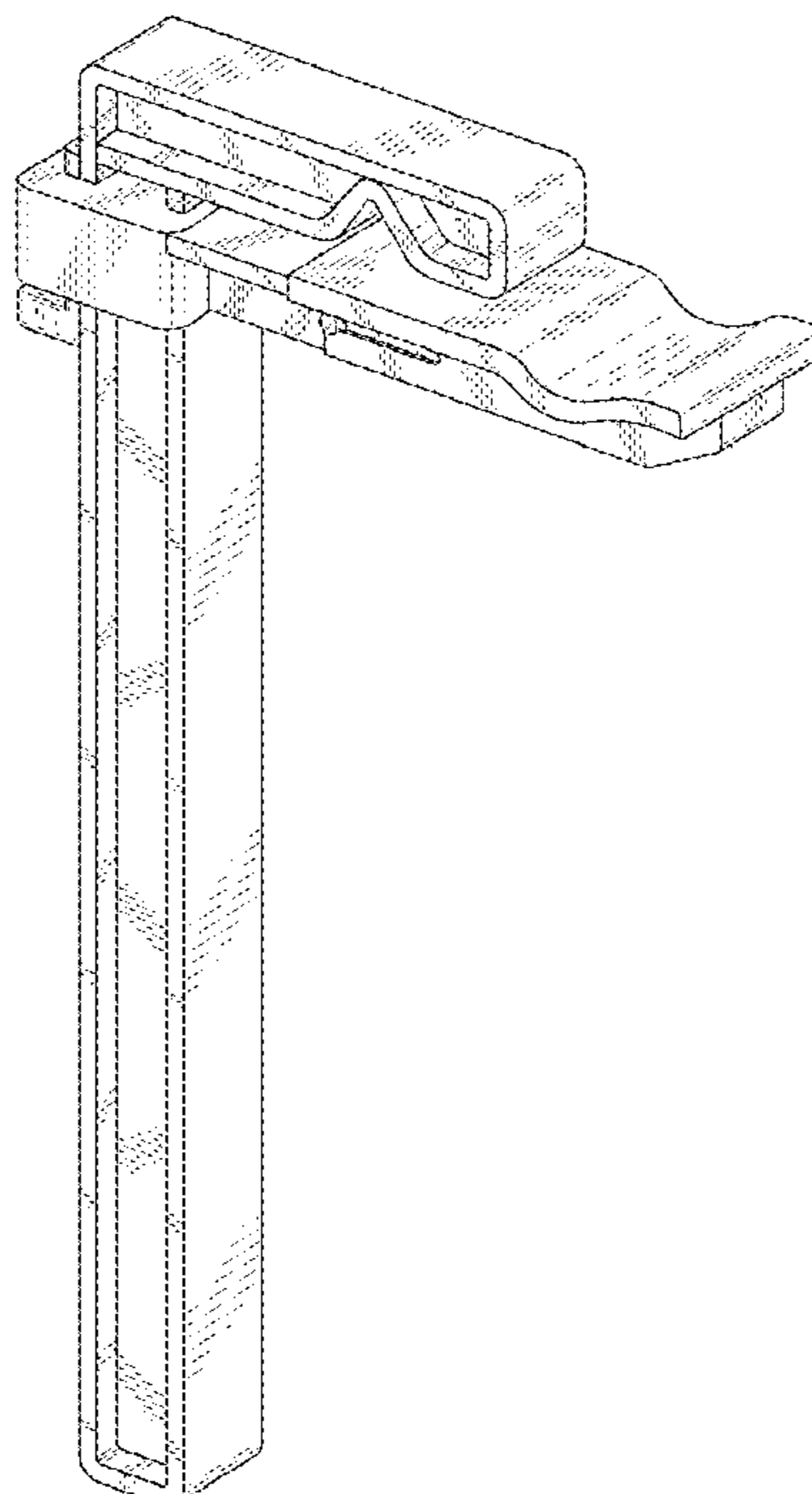
FIG. 1 is a perspective view of a mandibular c-clamp according to our new design;
FIG. 2 is a rear view thereof;
FIG. 3 is a front view thereof;
FIG. 4 is a left side view thereof;
FIG. 5 is a right side view thereof;
FIG. 6 is a top plan view thereof; and,
FIG. 7 is a bottom plan view thereof.

1 Claim, 7 Drawing Sheets

(56) **References Cited**

U.S. PATENT DOCUMENTS

- 1,976,045 A * 10/1934 Sorenson A61C 19/00
33/513
- 2,550,869 A * 5/1951 Salisbury A61B 17/6433
433/44



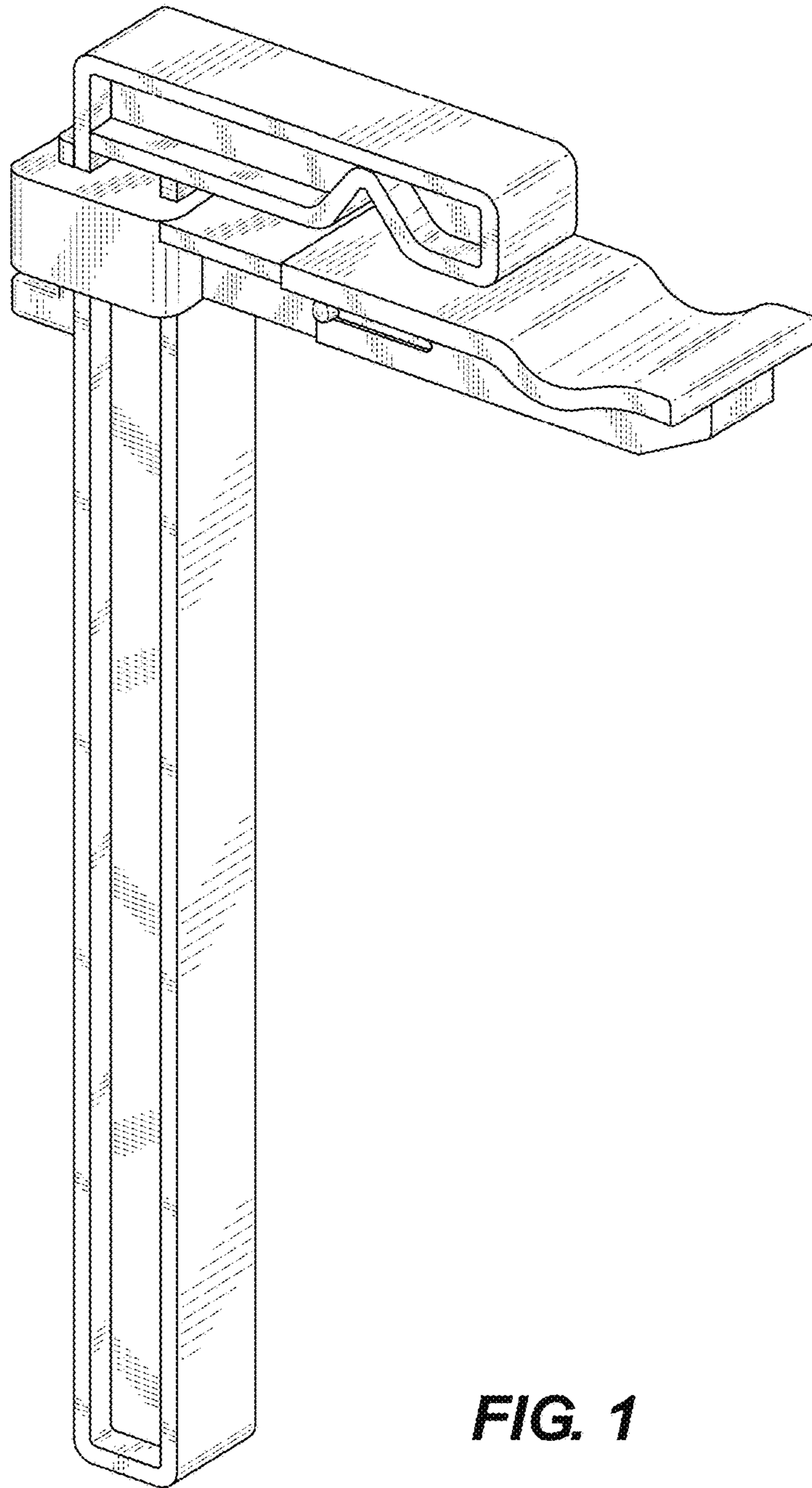


FIG. 1

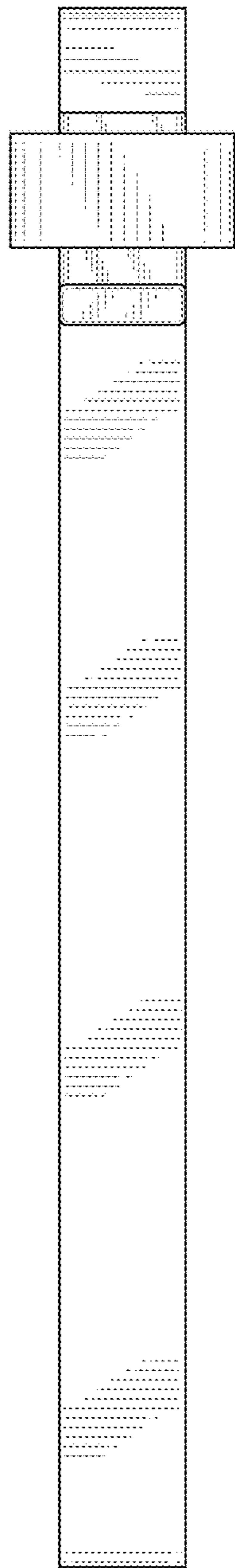


FIG. 2

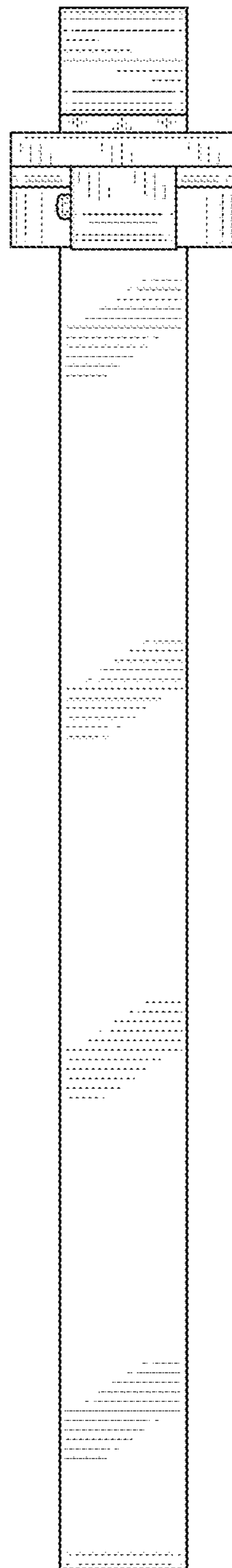


FIG. 3

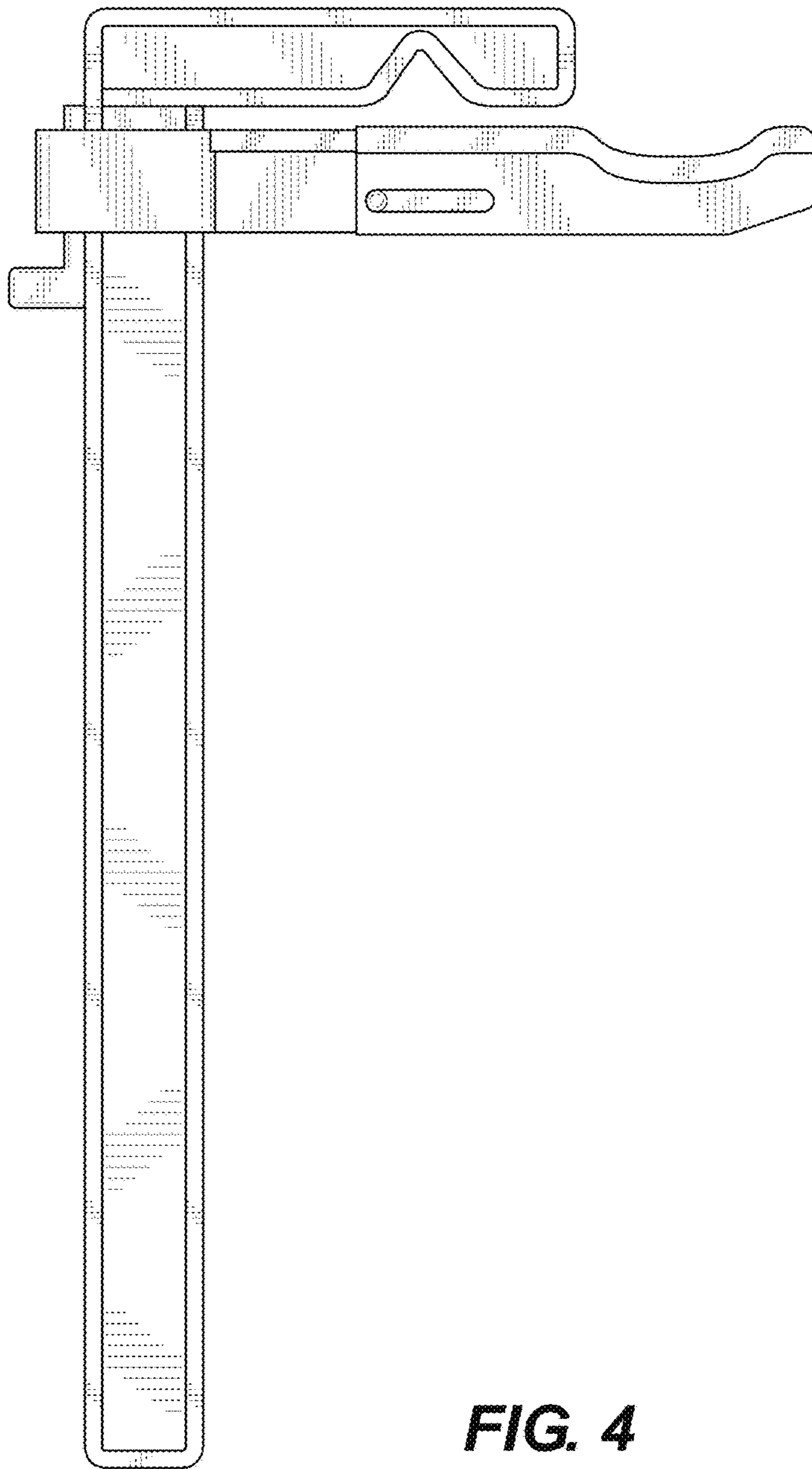


FIG. 4

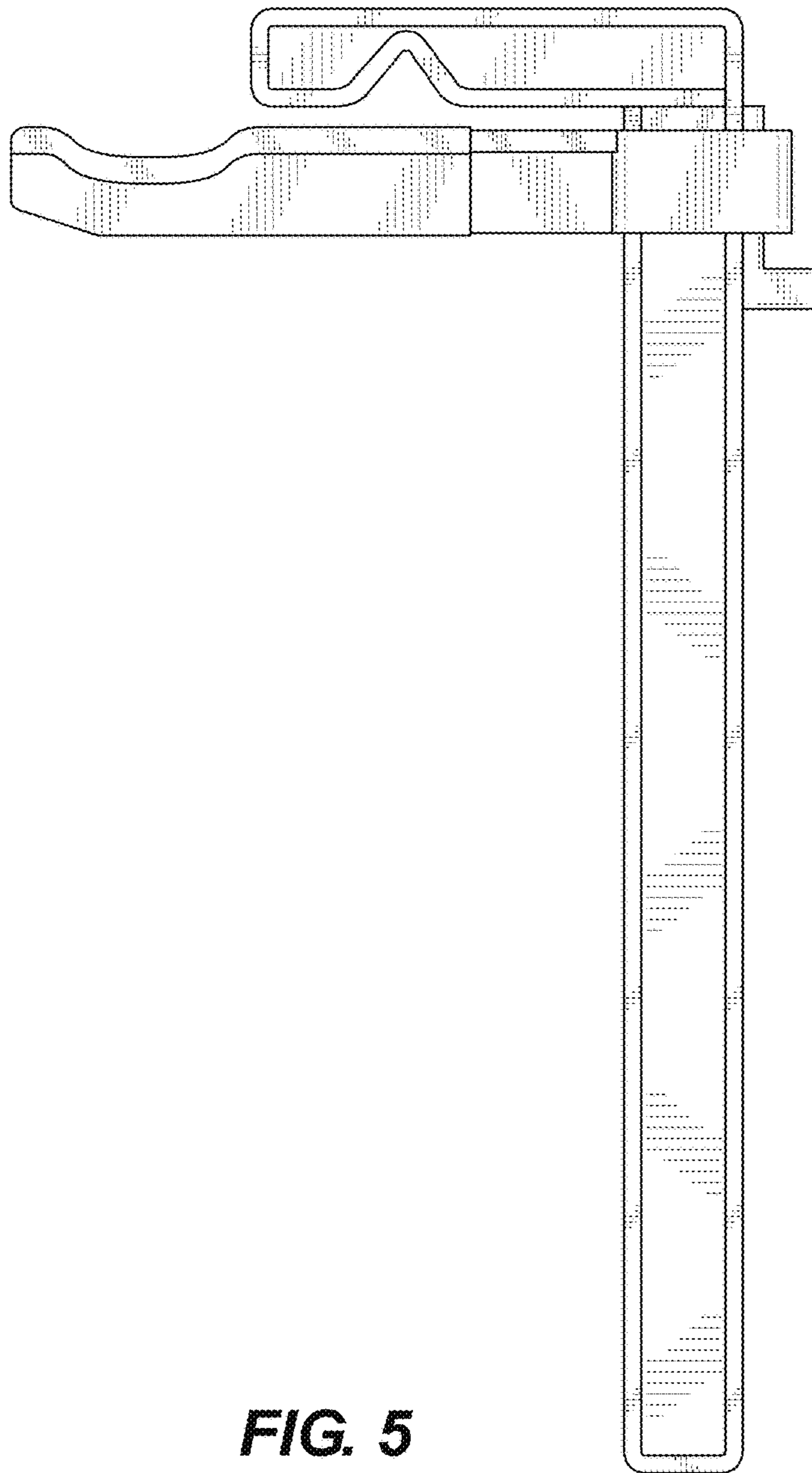


FIG. 5

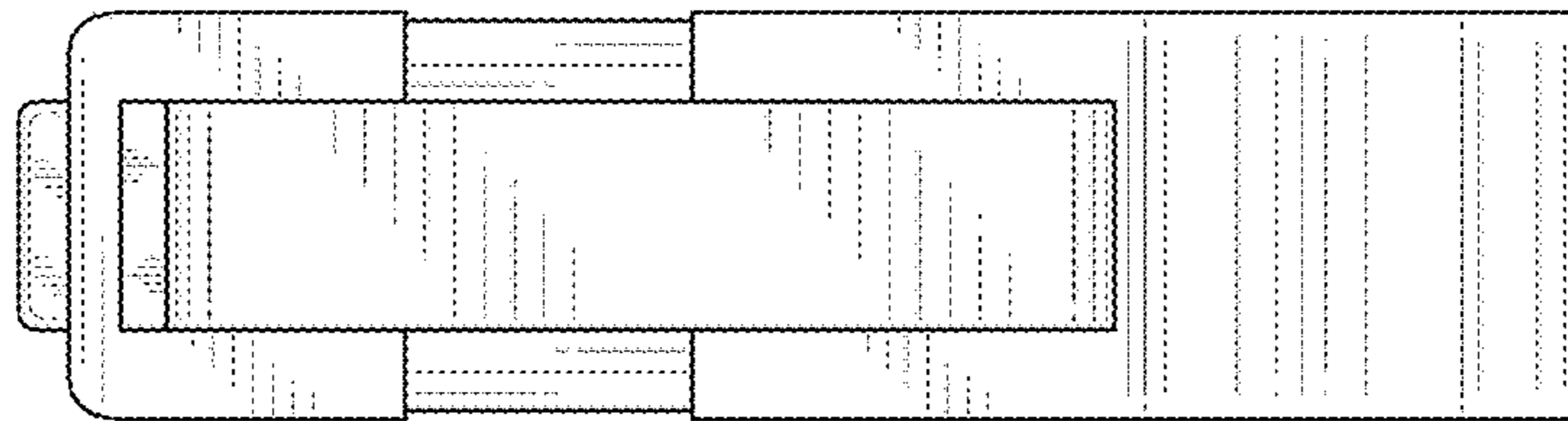


FIG. 6

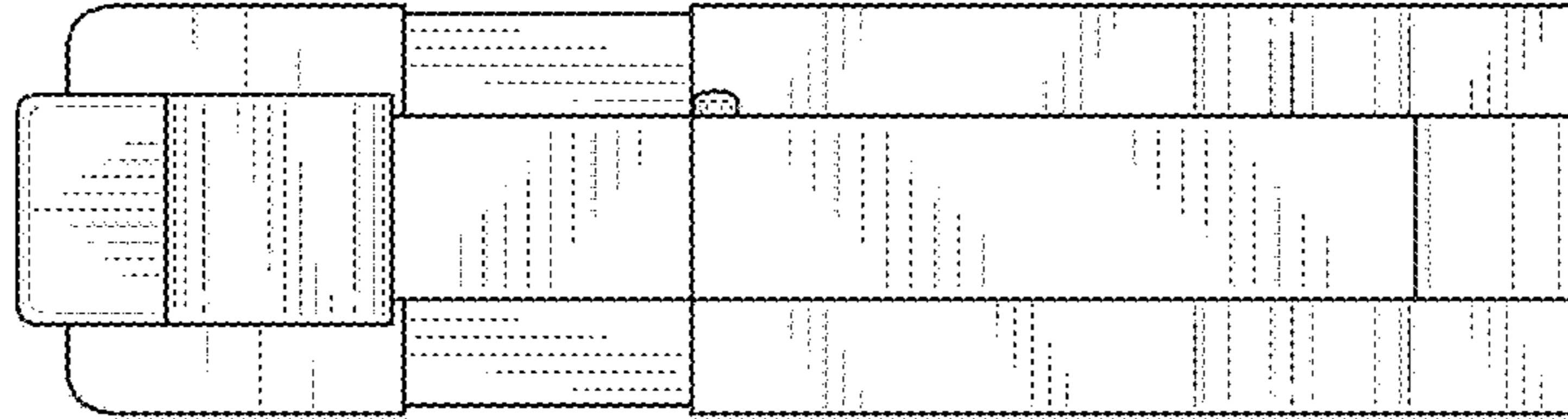


FIG. 7