



US00D837979S

(12) **United States Design Patent** (10) **Patent No.:** **US D837,979 S**
Shan (45) **Date of Patent:** **** Jan. 8, 2019**

(54) **STETHOSCOPE HEAD**
(71) Applicant: **Wuxi Kaishun Medical Device Manufacturing Co., Ltd., Wuxi (CN)**
(72) Inventor: **Xijie Shan, Wuxi (CN)**
(73) Assignee: **WUXI KAISHUN MEDICAL DEVICE MANUFACTURING CO., LTD., Wuxi (CN)**
(**) Term: **15 Years**
(21) Appl. No.: **29/553,365**
(22) Filed: **Feb. 1, 2016**
(30) **Foreign Application Priority Data**
Jul. 31, 2015 (CN) 2015 3 0284553
(51) **LOC (11) Cl.** **24-02**
(52) **U.S. Cl.**
USPC **D24/134**
(58) **Field of Classification Search**
USPC D24/133, 134, 137, 138, 142, 200;
D16/135; 181/131, 132, 133, 137;
600/552, 528; 601/107
CPC .. A61B 7/00; A61B 7/02; A61B 7/003; A61B
7/04; H04R 1/46
See application file for complete search history.

(56) **References Cited**
U.S. PATENT DOCUMENTS
D214,002 S * 4/1969 Machlup et al. D24/134
4,212,368 A * 7/1980 Allen A61B 7/026
181/131

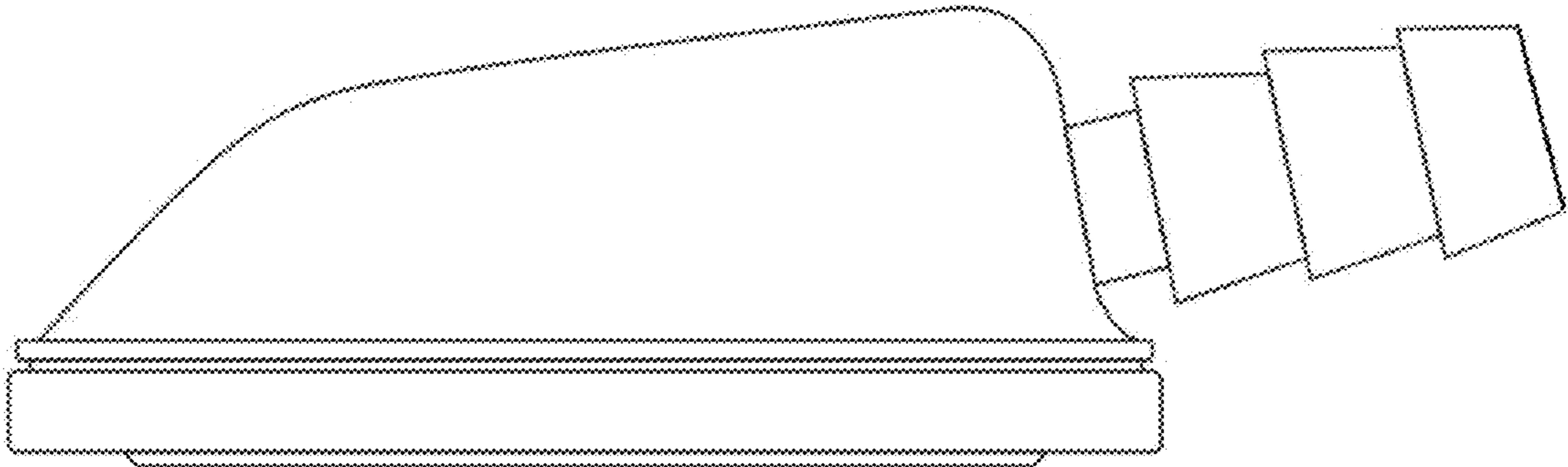
D432,238 S * 10/2000 Packard D24/134
6,523,639 B1 * 2/2003 Shieh A61B 7/02
181/131
D477,405 S * 7/2003 Sommerfeld D24/134
D525,360 S * 7/2006 Nakamura D24/134
D536,448 S * 2/2007 Jackson D24/134
D583,940 S * 12/2008 Wong D24/134
D625,804 S * 10/2010 Sternberger D24/134
D639,426 S * 6/2011 Boyd D24/134
D676,961 S * 2/2013 Hatch D14/134
D682,424 S * 5/2013 Hasbun A61B 9/00
D24/134
D750,241 S * 2/2016 Shan D24/134
2014/0276133 A1 * 9/2014 Schrieffl A61B 5/0205
600/484
2016/0029994 A1 * 2/2016 Choi A61B 7/003
600/586

* cited by examiner
Primary Examiner — Ian Simmons
Assistant Examiner — Yolanda Robinson
(74) *Attorney, Agent, or Firm* — Sarika Singh; McNeely, Hare & War LLP

(57) **CLAIM**
The ornamental design for a stethoscope head, as shown and described.

DESCRIPTION
FIG. 1 is a back view of a stethoscope head showing my new design;
FIG. 2 is a bottom view thereof;
FIG. 3 is a right view thereof;
FIG. 4 is a front view thereof;
FIG. 5 is a left view thereof; and,
FIG. 6 is a top view thereof.

1 Claim, 3 Drawing Sheets



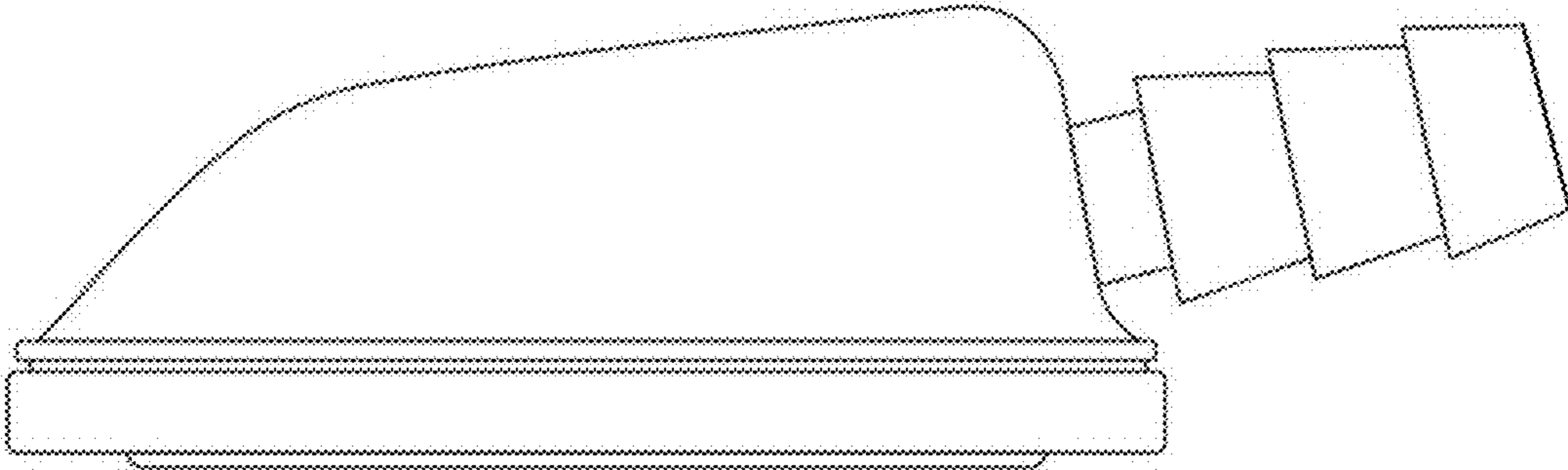


Fig. 1

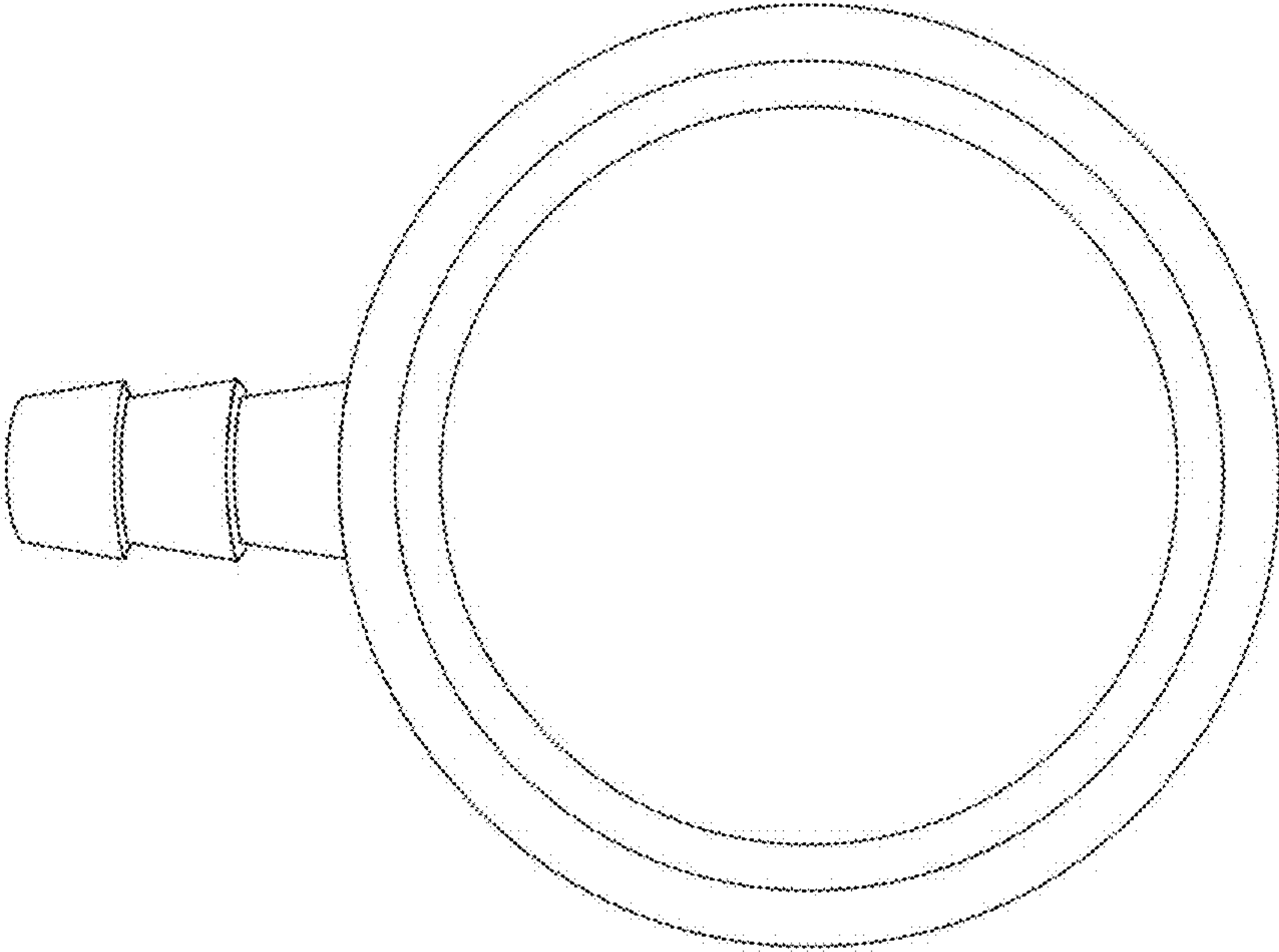


Fig. 2

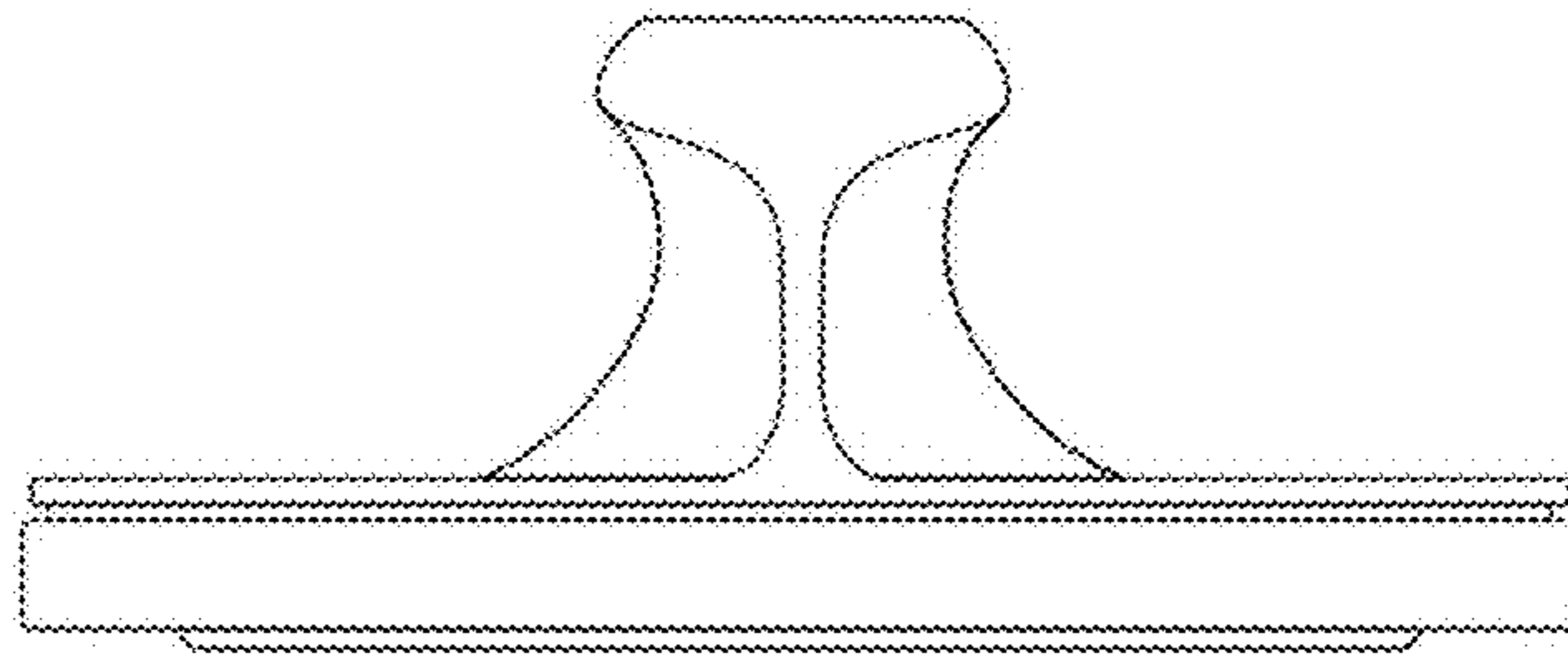


Fig. 3

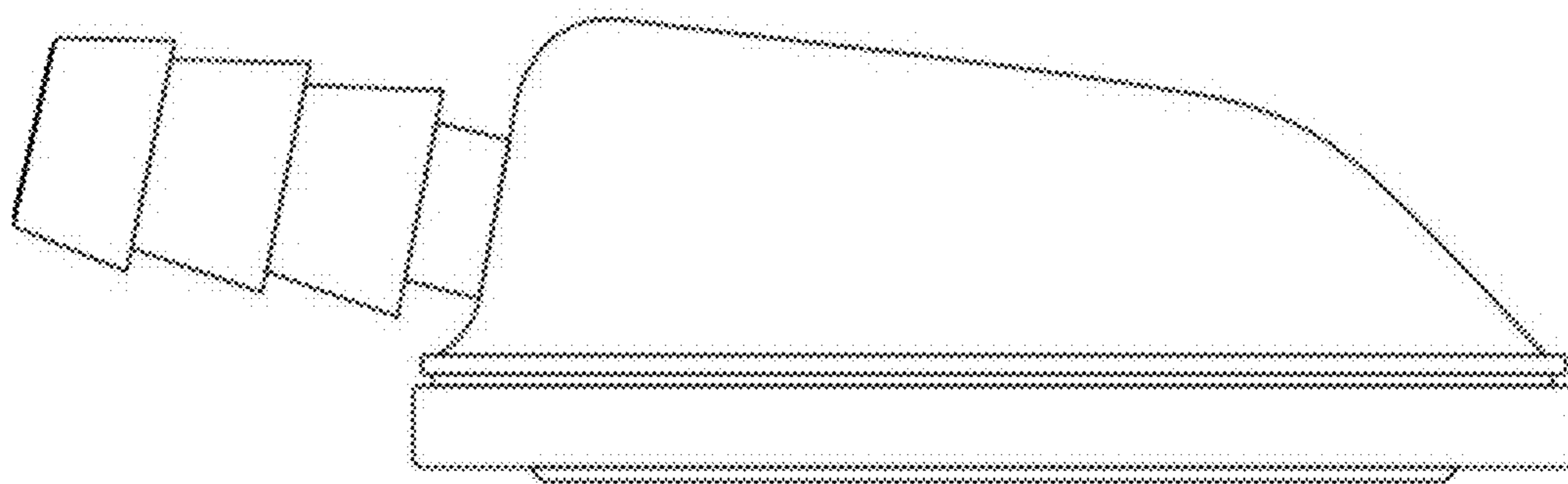


Fig. 4

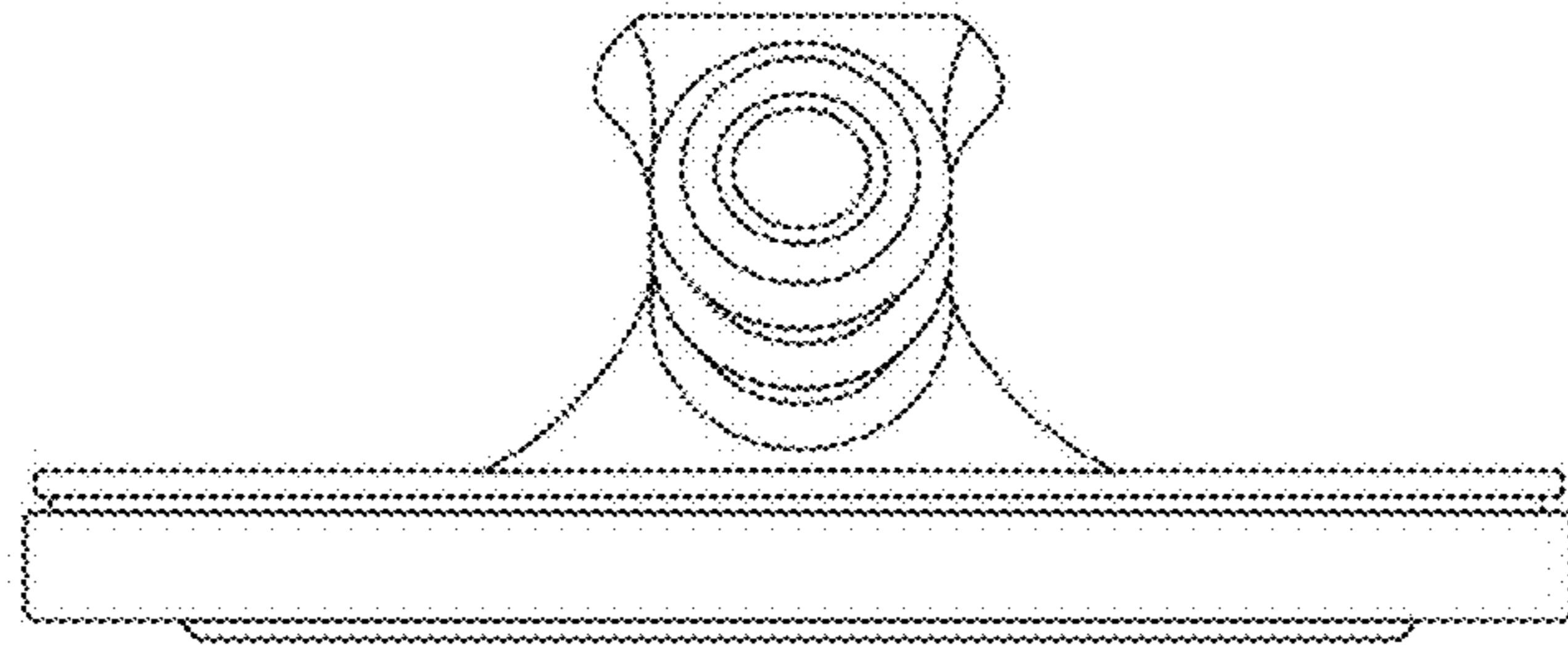


Fig. 5

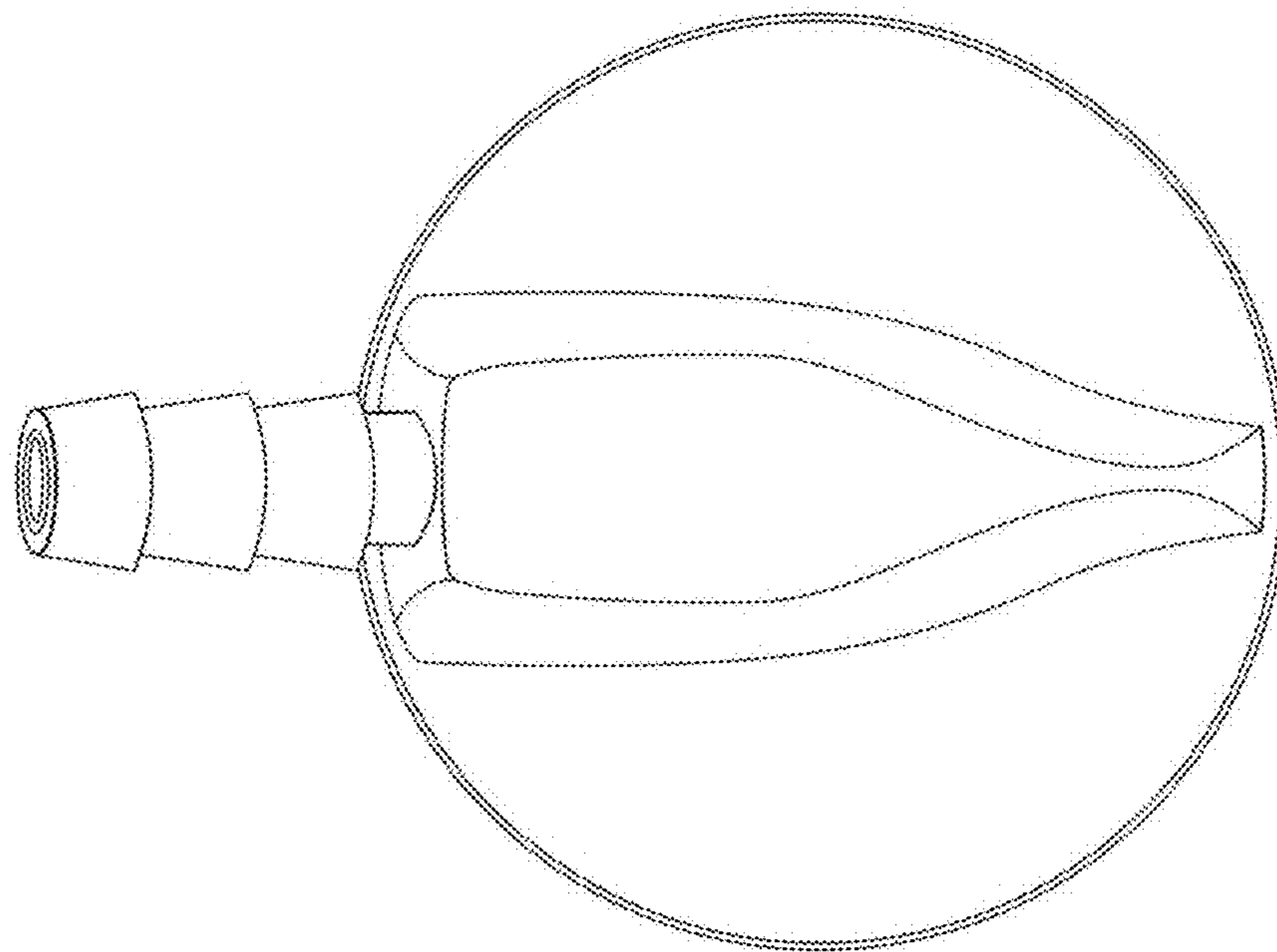


Fig. 6