



US00D837978S

(12) **United States Design Patent** (10) **Patent No.:** **US D837,978 S**
Pappalardo (45) **Date of Patent:** **** Jan. 8, 2019**

- (54) **SNAP-ON ADAPTER**
- (71) Applicant: **NORDSON CORPORATION**,
Westlake, OH (US)
- (72) Inventor: **Matthew E. Pappalardo**, Ewing, NJ
(US)
- (73) Assignee: **Nordson Corporation**, Westlake, OH
(US)
- (**) Term: **15 Years**
- (21) Appl. No.: **29/567,456**
- (22) Filed: **Jun. 9, 2016**
- (51) **LOC (11) Cl.** **24-01**
- (52) **U.S. Cl.**
USPC **D24/129**
- (58) **Field of Classification Search**
USPC D24/127-131, 112-114, 133, 186;
606/181, 185; 604/264, 272, 115, 232,
604/187, 158, 164.08, 192, 263, 163, 181,
604/184, 198, 227; 600/101, 139, 143;
128/200.24, 207.14, 207.15
CPC G07C 2009/00793; G07C 9/00182; G07F
7/1008; G07F 7/1025; G07G 1/009
See application file for complete search history.

D581,527 S *	11/2008	Jansen	D24/130
D614,296 S *	4/2010	Young	D24/130
D638,933 S *	5/2011	Hill	D24/129
D649,241 S *	11/2011	Kunishige	D24/129
D672,460 S *	12/2012	Baid	D24/130
D695,397 S *	12/2013	Nakatsuka	D24/127
D703,812 S *	4/2014	Cederschiold	D24/129
D709,753 S *	7/2014	Guala	D24/112
D714,935 S *	10/2014	Nishioka	D24/130
D737,436 S *	8/2015	Lev	D24/129
D750,239 S *	2/2016	Pappalardo	D24/130
D750,775 S *	3/2016	Carrel	D24/130
D768,849 S *	10/2016	Eisenberg	D24/128
D768,850 S *	10/2016	Rozwadowski	D24/130
D777,317 S *	1/2017	Soual	D24/112
2011/0290254 A1 *	12/2011	Waldron	A61M 16/0465 128/207.14
2012/0227746 A1 *	9/2012	Harrington	A61M 16/04 128/207.14

* cited by examiner

Primary Examiner — David G Muller
Assistant Examiner — Nathan M Johnston
(74) *Attorney, Agent, or Firm* — Baker & Hostetler LLP

(57) **CLAIM**

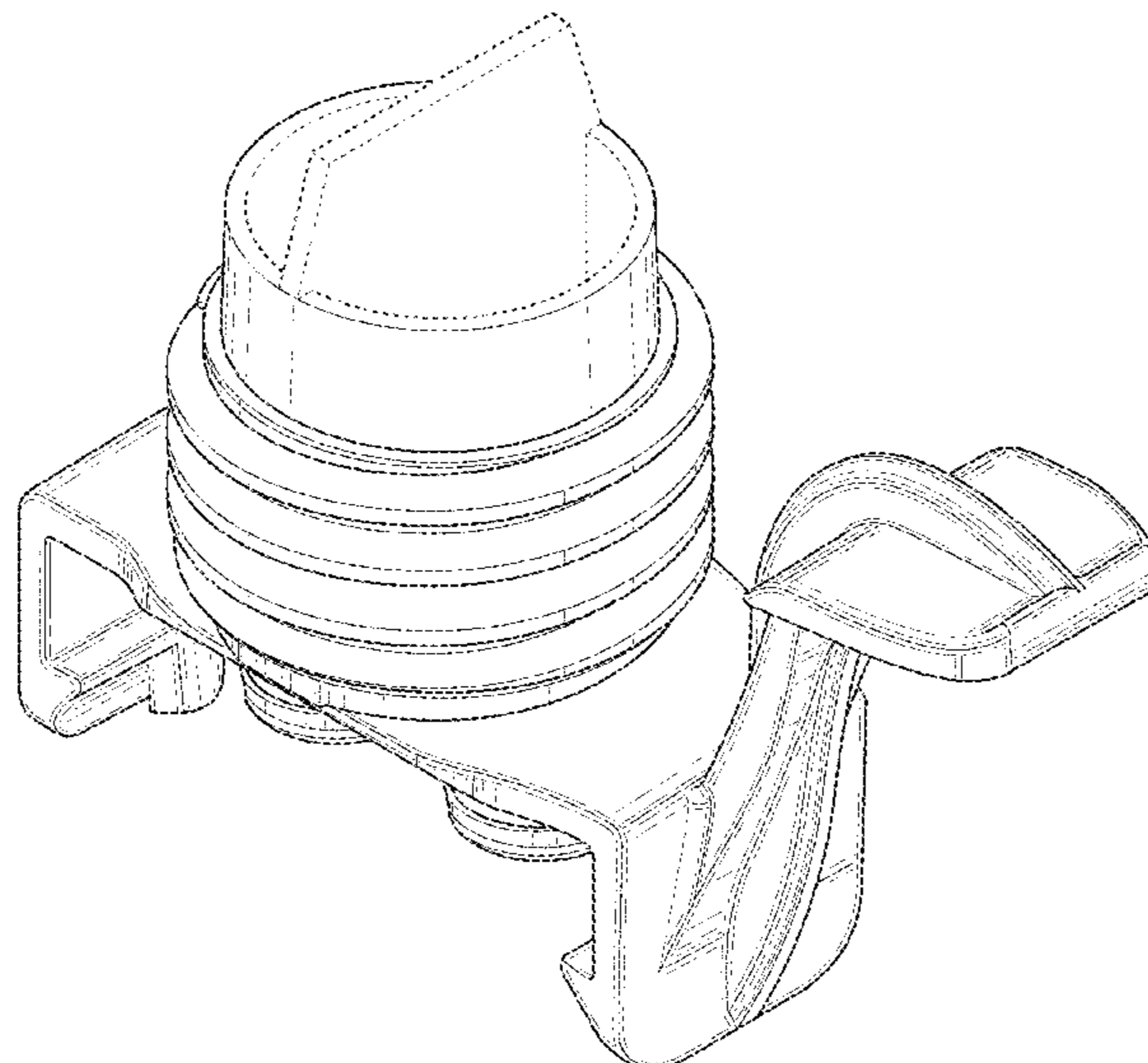
The ornamental design for an snap-on adapter, as shown and described.

DESCRIPTION

FIG. 1 is a top, perspective view of a snap-on adapter showing my new design;
FIG. 2 is a front elevation view thereof;
FIG. 3 is a rear elevation view thereof;
FIG. 4 is a top plan view thereof;
FIG. 5 is a bottom plan view thereof;
FIG. 6 is a left side elevation view thereof; and,
FIG. 7 is a right side elevation view thereof.
The broken lines and the areas inside the broken lines form no part of the claimed design.

1 Claim, 7 Drawing Sheets

- (56) **References Cited**
U.S. PATENT DOCUMENTS
- D314,622 S * 2/1991 Andersson D24/112
- D321,252 S * 10/1991 Jepson D24/112
- D421,120 S * 2/2000 Brotspies D24/114
- D427,308 S * 6/2000 Zinger D24/129
- D428,141 S * 7/2000 Brotspies D24/114
- D468,015 S * 12/2002 Horppu D24/129
- D493,526 S * 7/2004 Hwang A61M 5/3134
D24/130
- D495,050 S * 8/2004 Guala D24/108
- D506,256 S * 6/2005 Miyoshi D24/108



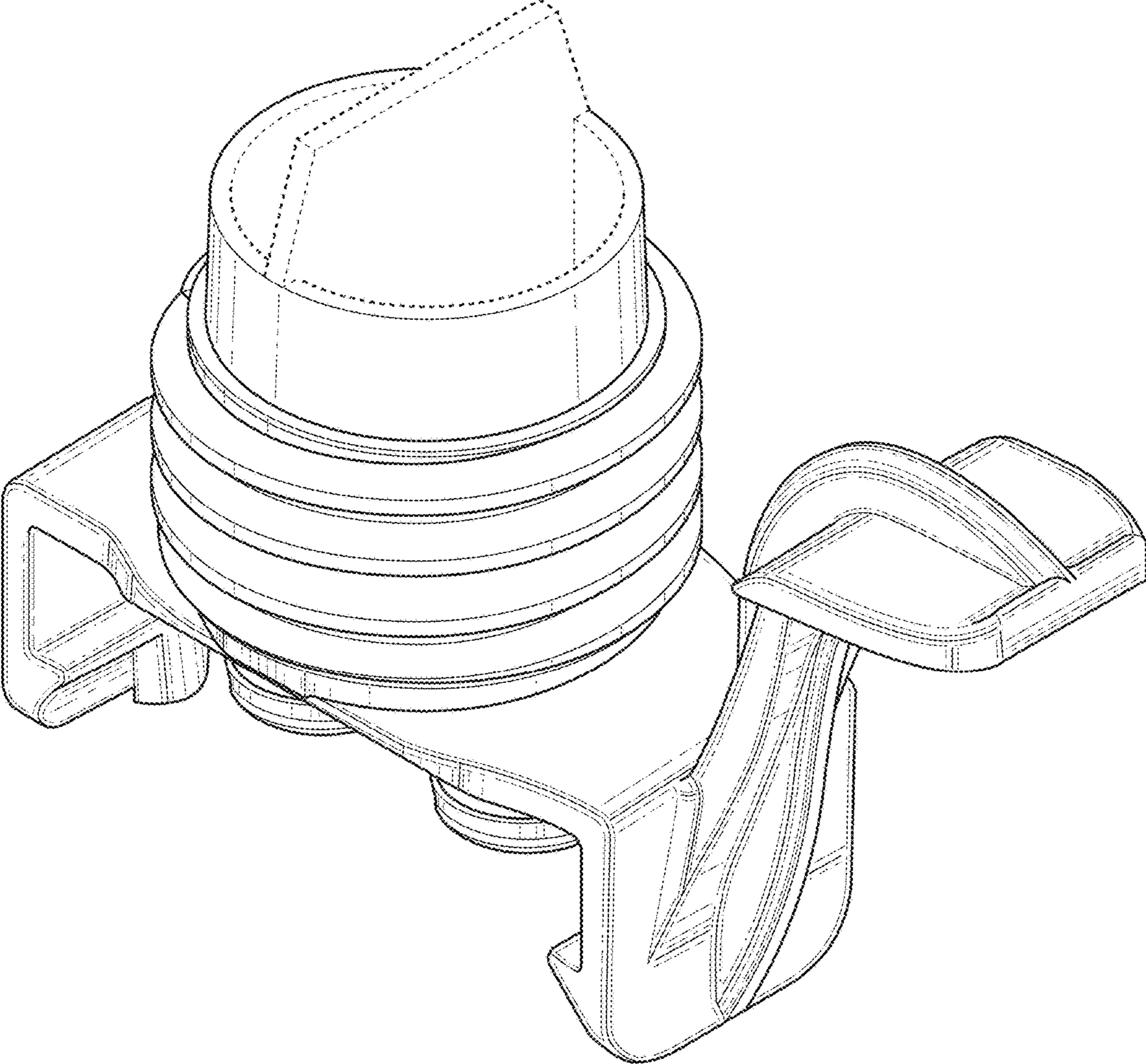


FIG. 1

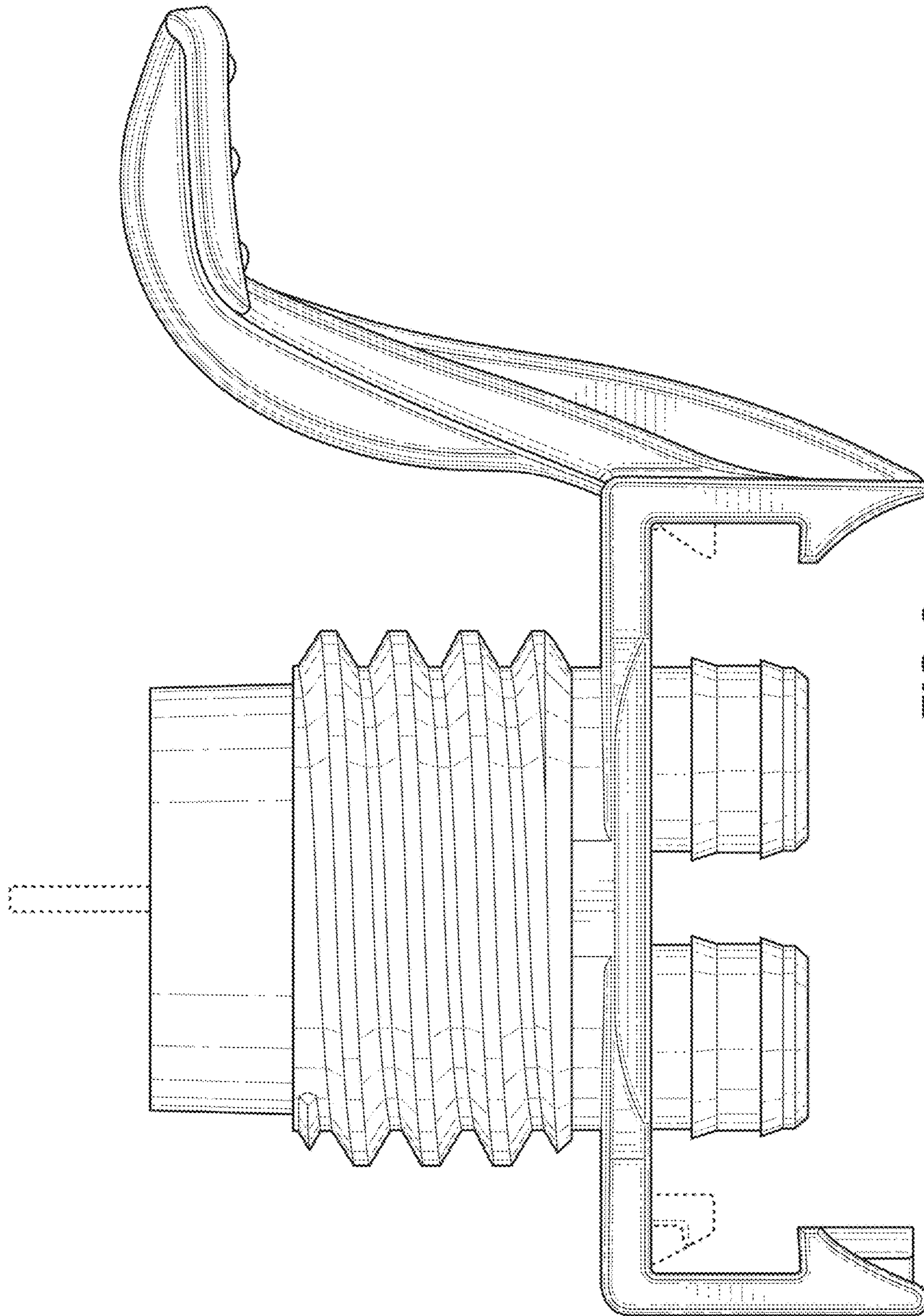


FIG. 2

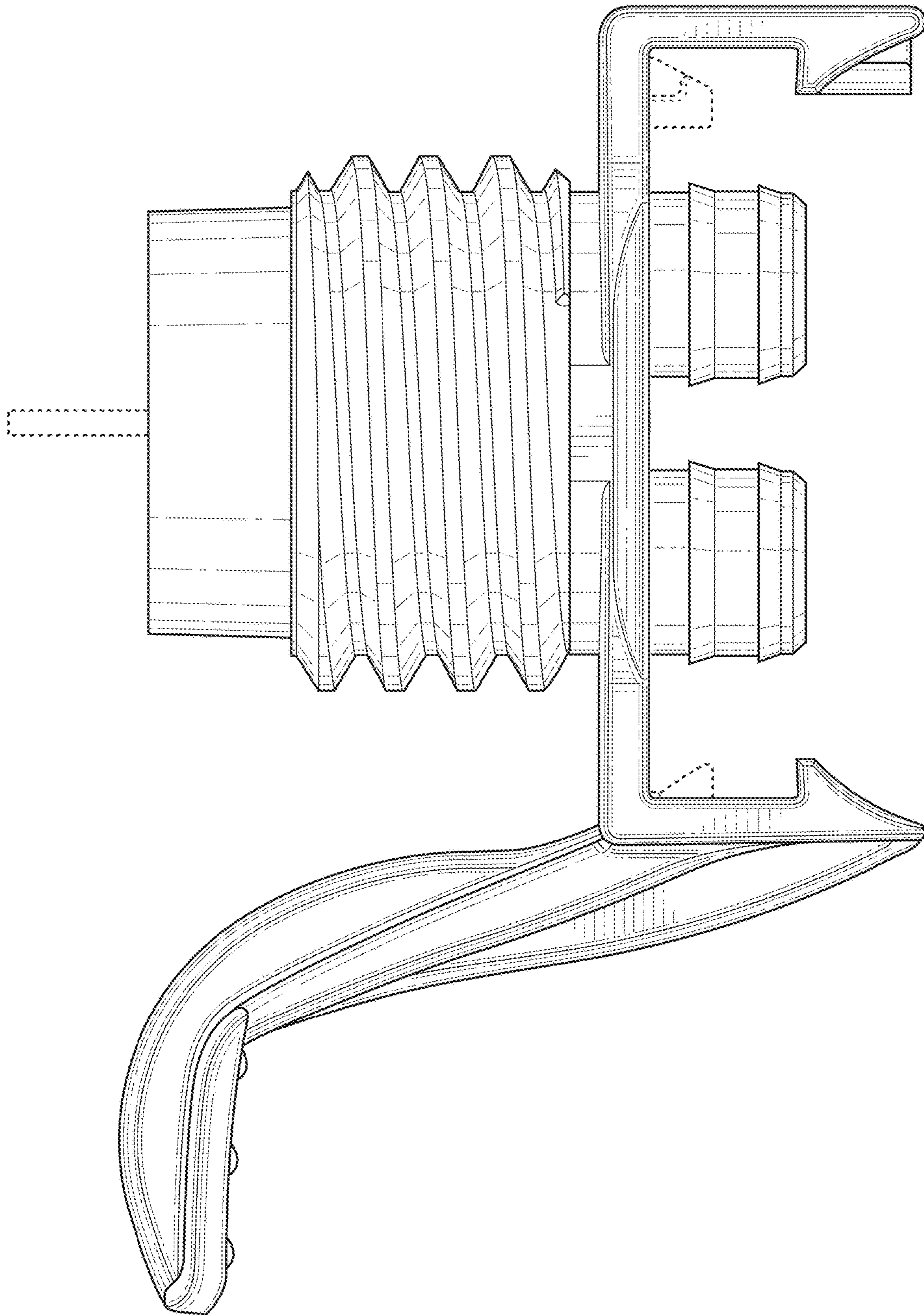


FIG. 3

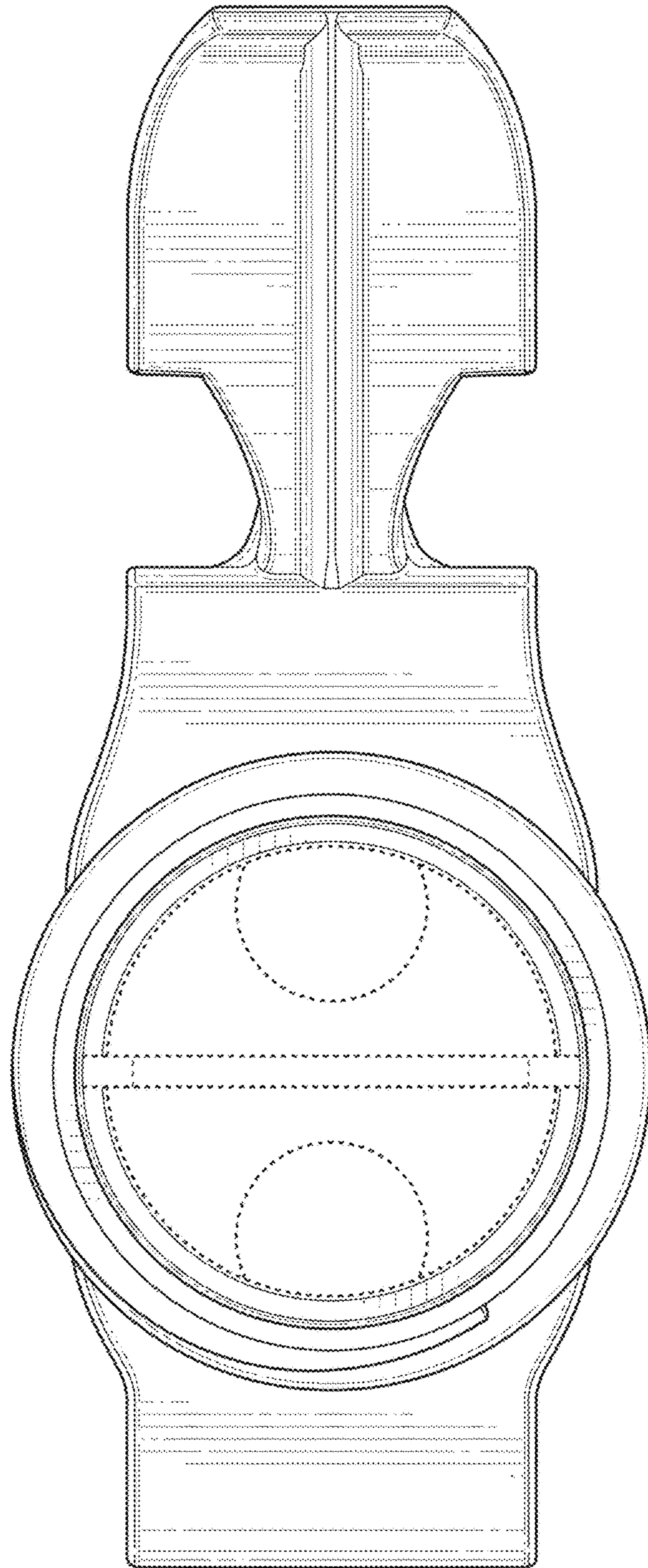


FIG. 4

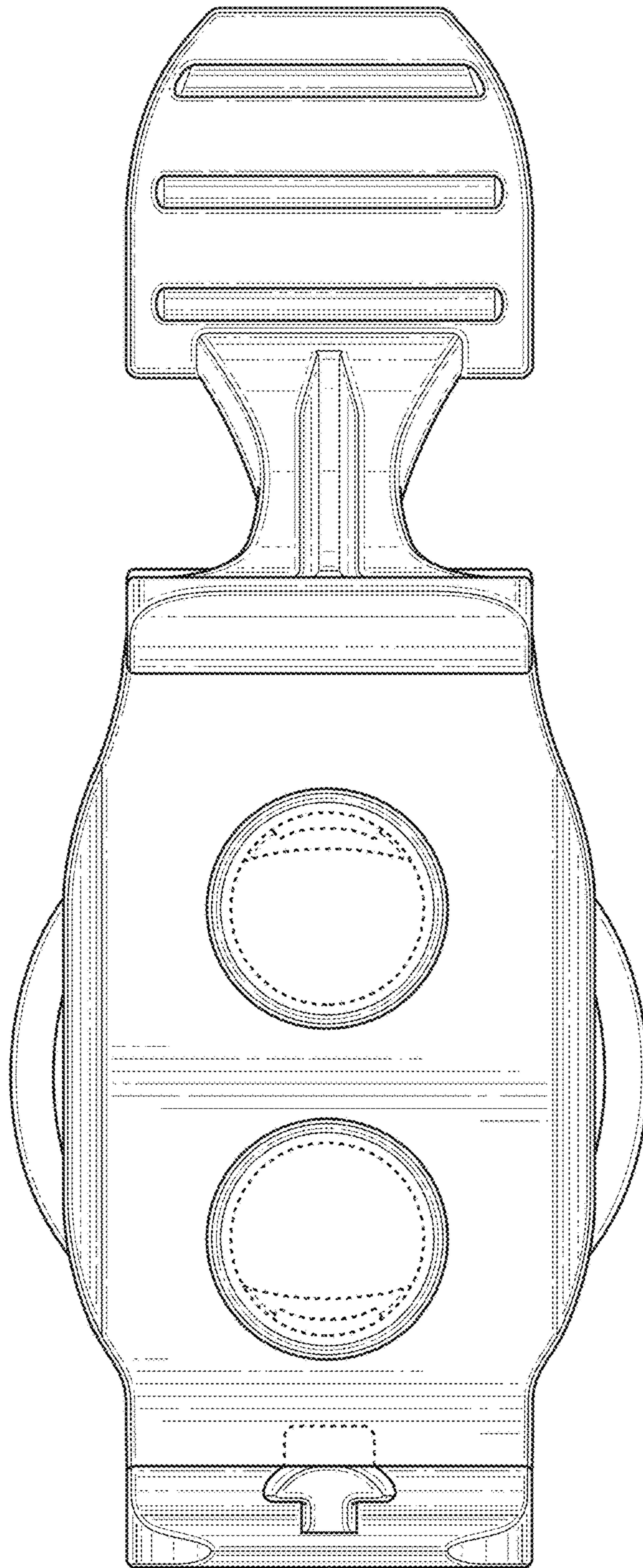


FIG. 5

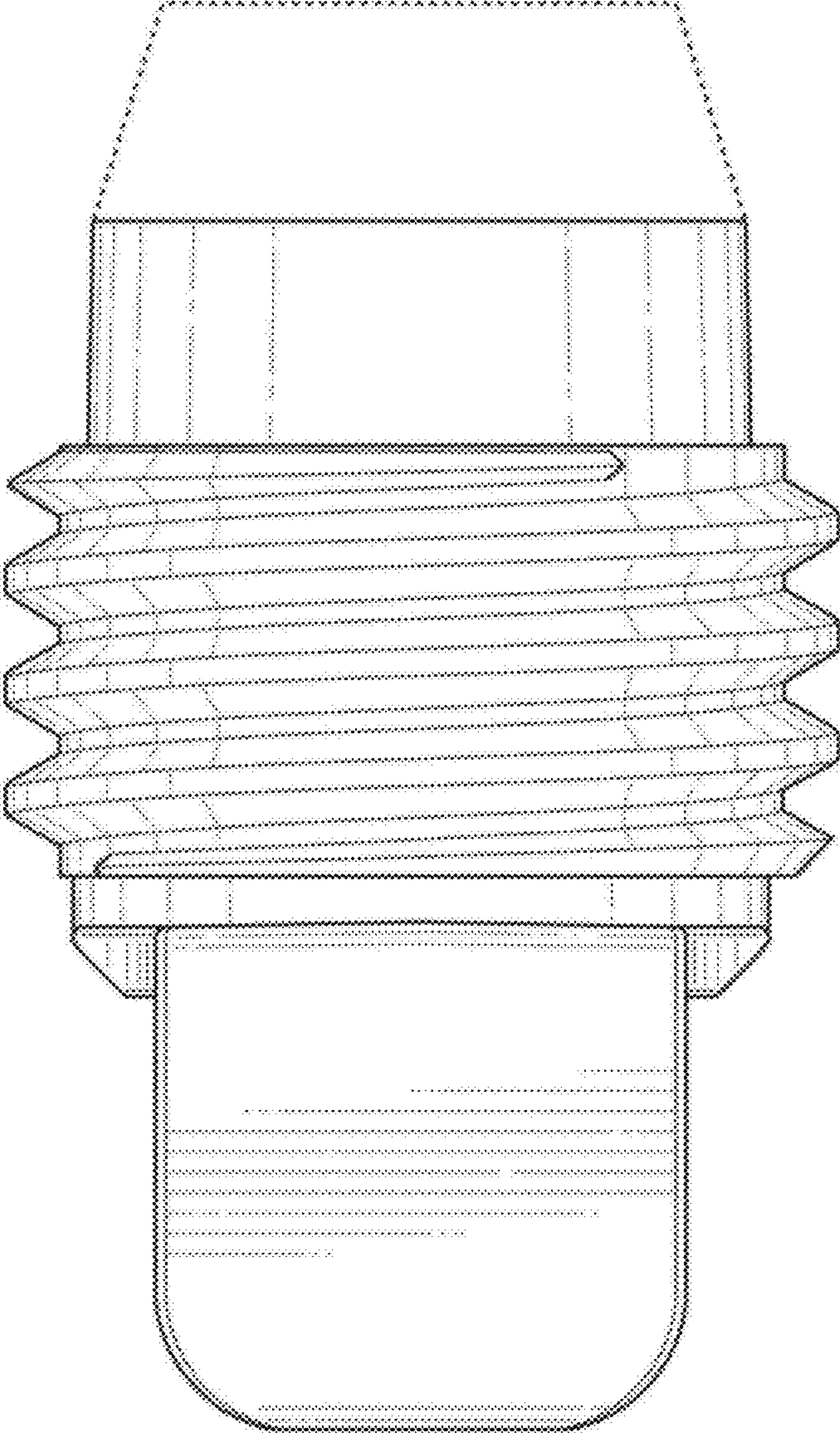


FIG. 6

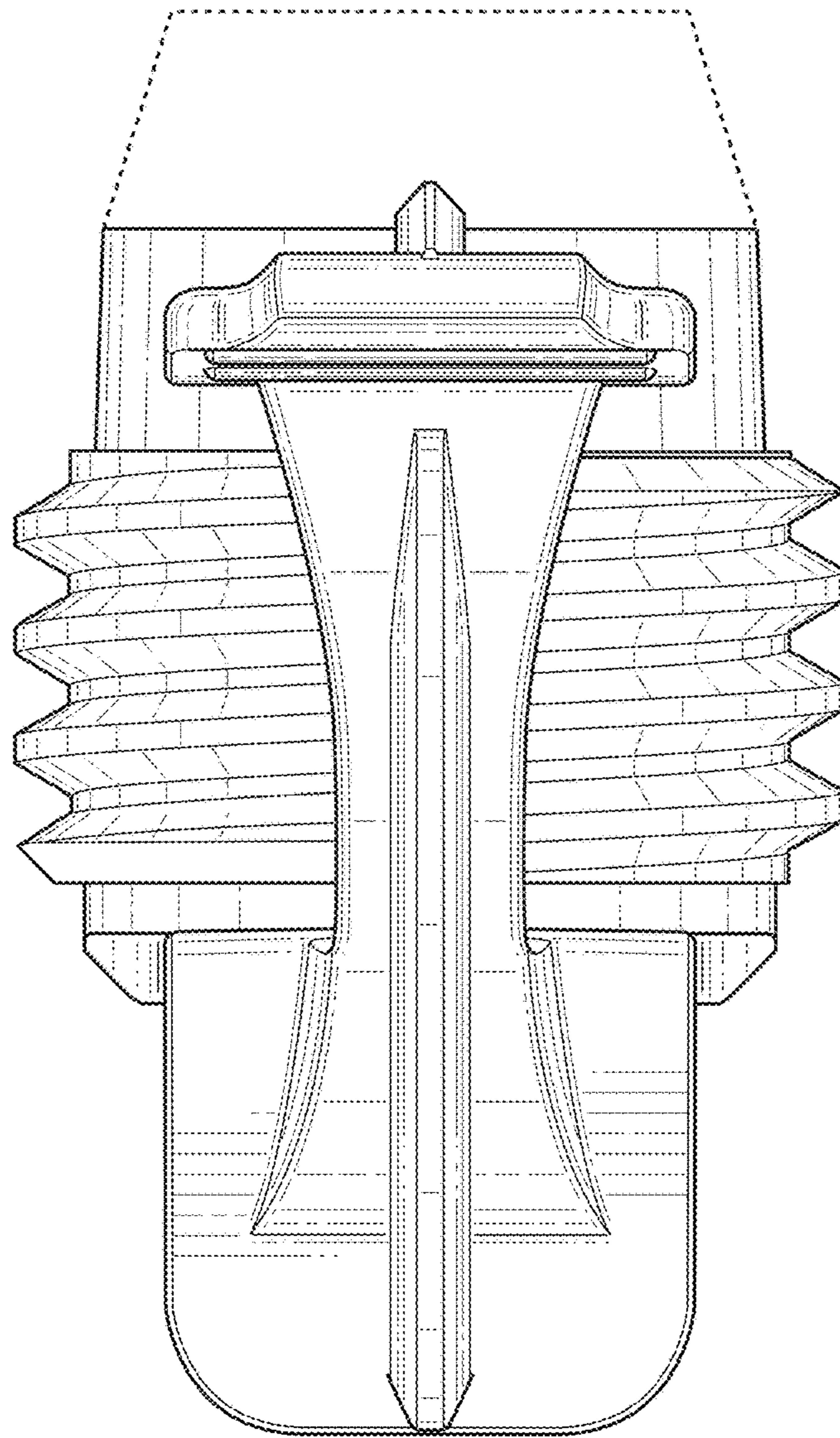


FIG. 7