



US00D837977S

(12) **United States Design Patent**
Falleboe et al.

(10) **Patent No.:** **US D837,977 S**
(45) **Date of Patent:** **** Jan. 8, 2019**

(54) **REPLACEMENT TUBING WITH CONNECTORS ADAPTED FOR USE IN ANAL IRRIGATION SYSTEM**

(71) Applicant: **Coloplast A/S, Humlebaek (DK)**

(72) Inventors: **Hans Falleboe, Gentofte (DK); Isak Frostå, Malmö (SE)**

(73) Assignee: **Coloplast A/S, Humlebaek (DK)**

(**) Term: **15 Years**

(21) Appl. No.: **29/560,467**

(22) Filed: **Apr. 7, 2016**

(51) **LOC (11) Cl.** **24-02**

(52) **U.S. Cl.**
USPC **D24/127**

(58) **Field of Classification Search**
USPC D24/127-131, 112-114, 133, 186;
606/181, 185; 604/264, 523-528, 272,
604/187, 158, 164.01-164.11, 181, 184,
604/227; 600/101, 139, 143;
128/200.24, 207.14, 207.15
CPC A61M 25/00; A61M 39/00; A61M 27/00;
A61M 25/0043; A61M 25/0067; A61M
25/0097; A61F 2/958
See application file for complete search history.

(56) **References Cited**

U.S. PATENT DOCUMENTS

651,776 A	6/1900	Bourdeau
3,459,175 A	8/1969	Miller
3,747,632 A	7/1973	Kok et al.
3,766,920 A	10/1973	Greene
3,842,834 A	10/1974	Vass
3,889,676 A	6/1975	Greene
3,990,448 A	11/1976	Mather et al.
4,385,631 A	5/1983	Uthmann
D271,902 S	12/1983	Campton
4,487,434 A	12/1984	Roche

4,581,012 A	4/1986	Brown et al.
D284,892 S *	7/1986	Glassman D24/112
4,701,159 A	10/1987	Brown et al.
D298,653 S	11/1988	Maietta
4,842,583 A	6/1989	Majlessi
4,874,363 A	10/1989	Abell
D304,760 S	11/1989	Curtis et al.
D309,960 S *	8/1990	Applebaugh D24/112

(Continued)

FOREIGN PATENT DOCUMENTS

BE	370821 A	9/2014
DE	195412 A	5/1907

(Continued)

Primary Examiner — David G Muller

(74) *Attorney, Agent, or Firm* — Coloplast Corp.,
Coloplast A/S; Nick Baumann

(57) **CLAIM**

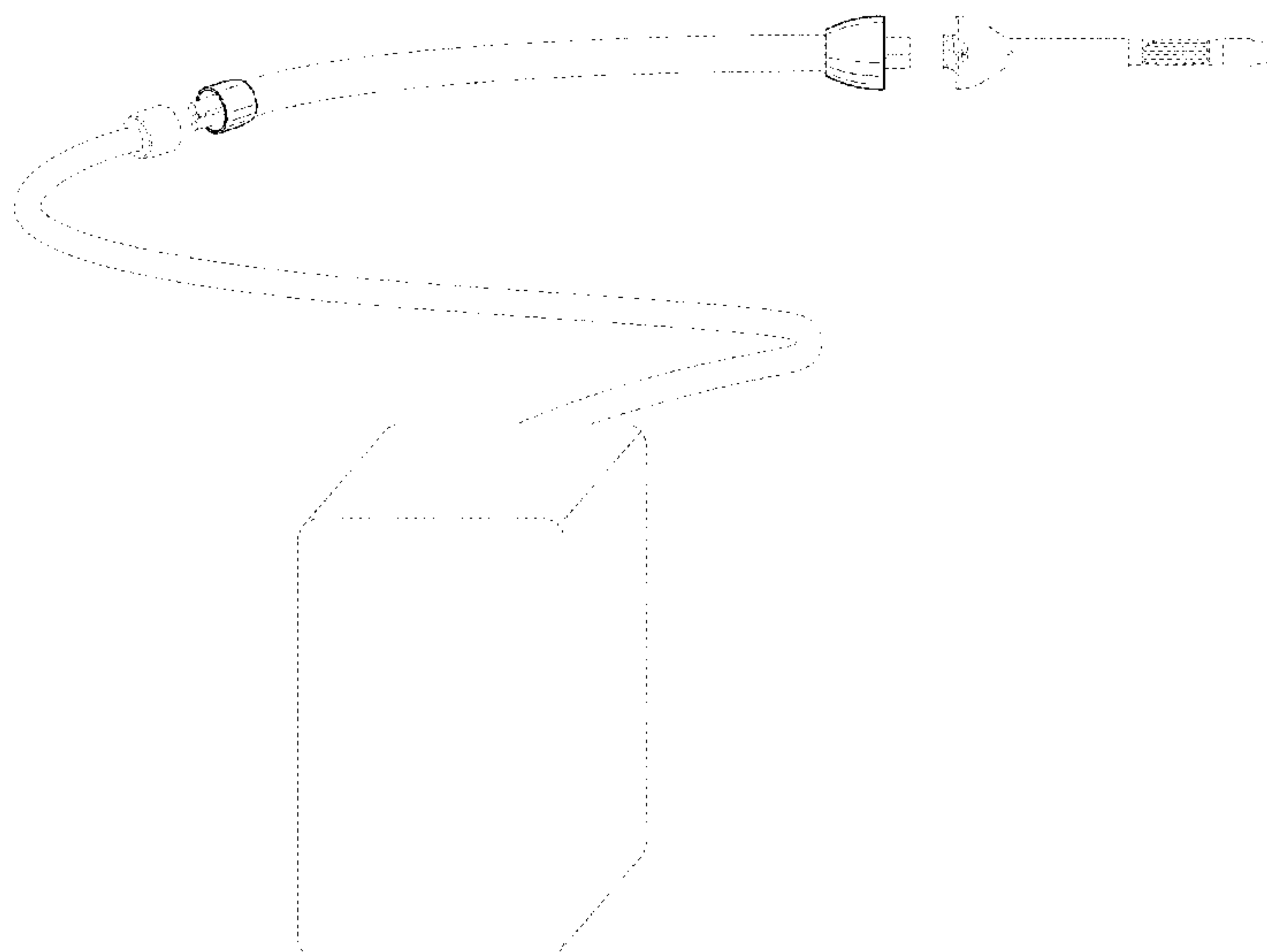
The ornamental design for a replacement tubing with connectors adapted for use in anal irrigation system, as shown and described.

DESCRIPTION

FIG. 1 is a perspective view of the replacement tubing with connectors adapted for use in anal irrigation system;
FIG. 2 is a front elevation view thereof;
FIG. 3 is a back elevation view thereof;
FIG. 4 is a left side elevation view thereof;
FIG. 5 is a right side elevation view thereof;
FIG. 6 is a top plan view thereof;
FIG. 7 is a bottom plan view thereof; and,
FIG. 8 is a perspective view thereof with the replacement tubing with connectors adapted for use in anal irrigation system.

The broken line showing parts of the drawings is included for the purpose of illustrating use and environment and forms no part of the claimed design.

1 Claim, 7 Drawing Sheets



(56)

References Cited

U.S. PATENT DOCUMENTS

5,019,056 A 5/1991 Lee et al.
 D323,392 S * 1/1992 Byrne D24/130
 5,180,387 A 1/1993 Ghajar et al.
 5,250,024 A 10/1993 Kensey
 5,300,022 A 4/1994 Klapper et al.
 5,330,447 A 7/1994 Barth
 5,499,970 A 3/1996 Olson
 D372,779 S * 8/1996 Mongeon D24/112
 5,620,427 A 4/1997 Werschmidt et al.
 5,643,228 A 7/1997 Schucart et al.
 5,683,640 A 11/1997 Miller et al.
 5,746,713 A 5/1998 Hood et al.
 5,800,409 A 9/1998 Bruce
 5,810,202 A 9/1998 Hoback et al.
 5,833,658 A 11/1998 Levy et al.
 5,976,103 A 11/1999 Martin
 6,096,007 A 8/2000 Haan et al.
 6,106,506 A 8/2000 Abell et al.
 6,264,636 B1 7/2001 Holm et al.
 D448,842 S * 10/2001 Madsen D24/112
 6,428,515 B1 8/2002 Bierman et al.
 6,533,750 B2 3/2003 Sutton et al.
 6,533,763 B1 3/2003 Schneiter
 7,172,587 B2 2/2007 Poole et al.
 D612,050 S 3/2010 Baynham
 D616,092 S * 5/2010 Domkowski D24/129
 7,776,025 B2 * 8/2010 Bobo, Jr. A61B 18/24
 604/509
 D625,003 S 10/2010 Stephens
 D625,004 S 10/2010 McGrady et al.
 8,062,316 B2 * 11/2011 Patel A61B 17/32075
 606/159
 D652,529 S 1/2012 Eum
 8,267,891 B2 9/2012 Dimalanta et al.
 D690,025 S 9/2013 Termaat et al.
 D691,261 S 10/2013 Kawamura
 D692,998 S 11/2013 Broberg et al.
 D694,885 S 12/2013 Broberg et al.
 8,715,248 B2 5/2014 McKinnon
 D714,935 S 10/2014 Nishioka et al.
 D736,914 S 8/2015 Schultz
 D737,962 S 9/2015 Schultz
 D744,098 S * 11/2015 Suval D24/133

D748,775 S * 2/2016 Greeson, Jr. D24/112
 D750,775 S 3/2016 Carrel et al.
 D761,420 S * 7/2016 Hayamizu D24/129
 D761,421 S 7/2016 Nakagami et al.
 D763,446 S * 8/2016 Ahluwalia D24/133
 D771,806 S 11/2016 Steele
 9,504,809 B2 11/2016 Bo
 D792,586 S * 7/2017 Becker D24/129
 2002/0115984 A1 8/2002 Guala
 2002/0123786 A1 9/2002 Gittings et al.
 2003/0073974 A1 4/2003 Falconer
 2010/0191183 A1 7/2010 Tanghoej et al.

FOREIGN PATENT DOCUMENTS

DE 3705339 A1 9/1988
 DE 4218119 A1 4/1996
 DE 19536118 A1 4/1996
 DE 19833181 C1 1/2000
 EP 109897 A1 5/1984
 EP 381062 A2 8/1990
 EP 1206230 A1 2/2001
 FR 1222961 A 6/1960
 FR 1460776 A 1/1966
 GB 2088385 A1 6/1982
 GB 2224212 A1 5/1990
 HU 191765 B 11/1987
 HU 9903396 2/2000
 WO 3300812 A1 3/1983
 WO 9528138 A1 10/1995
 WO 9625188 A1 8/1996
 WO 9823312 A1 6/1998
 WO 9830270 A1 7/1998
 WO 9959656 A1 11/1999
 WO 0134223 A1 5/2001
 WO 0137916 A1 5/2001
 WO 04006993 A1 1/2004
 WO 04037339 A1 5/2004
 WO 06086826 A1 8/2006
 WO 09152568 A1 12/2009
 WO 11023196 A1 3/2011
 WO 12120456 A2 9/2012
 WO 13007266 A1 1/2013
 WO 16095929 A1 6/2016

* cited by examiner

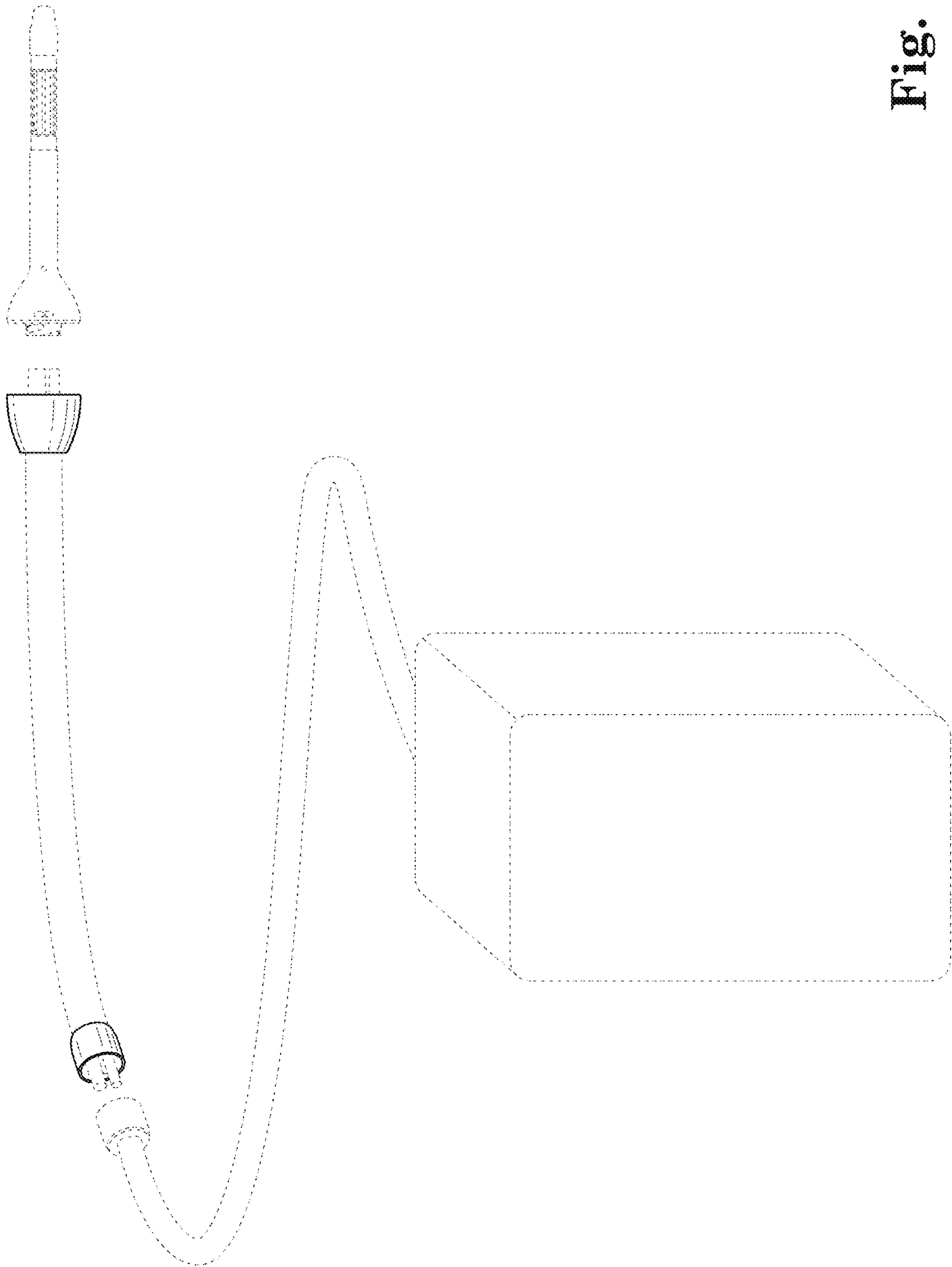


Fig. 1

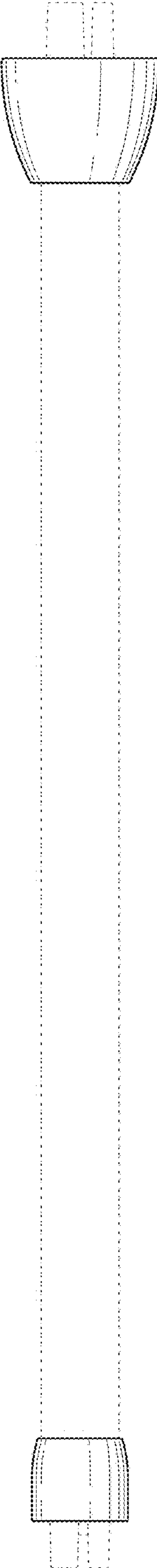


Fig. 2

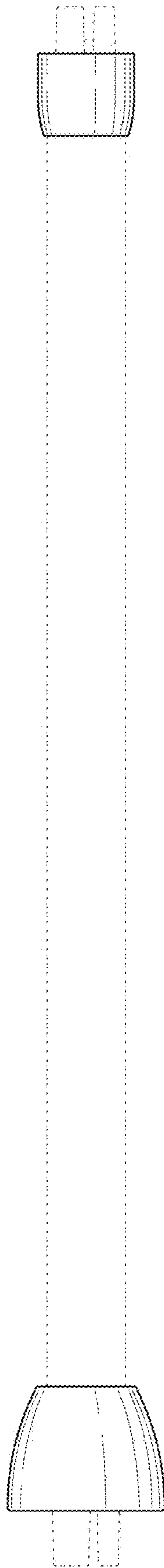


Fig. 3

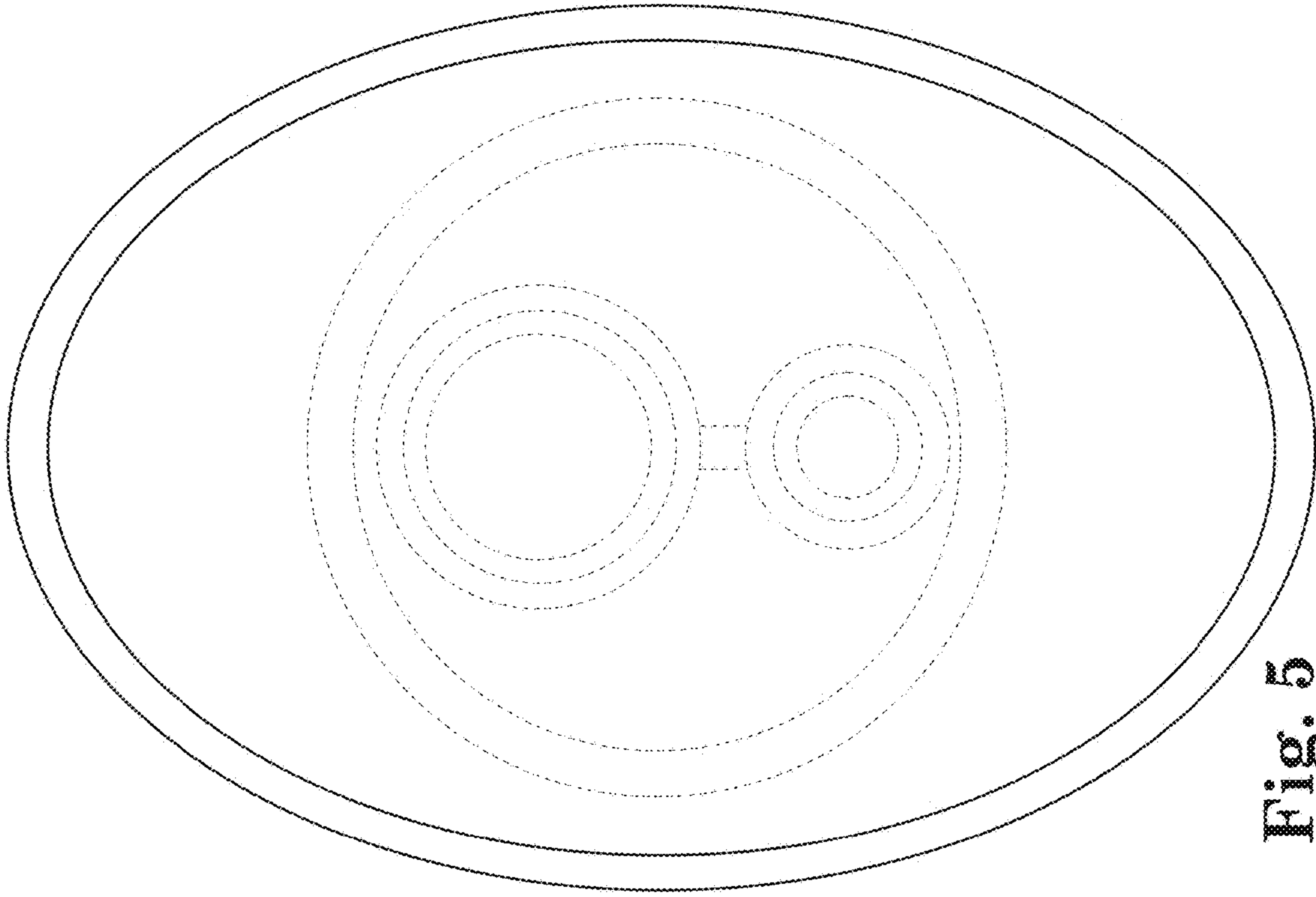


Fig. 5

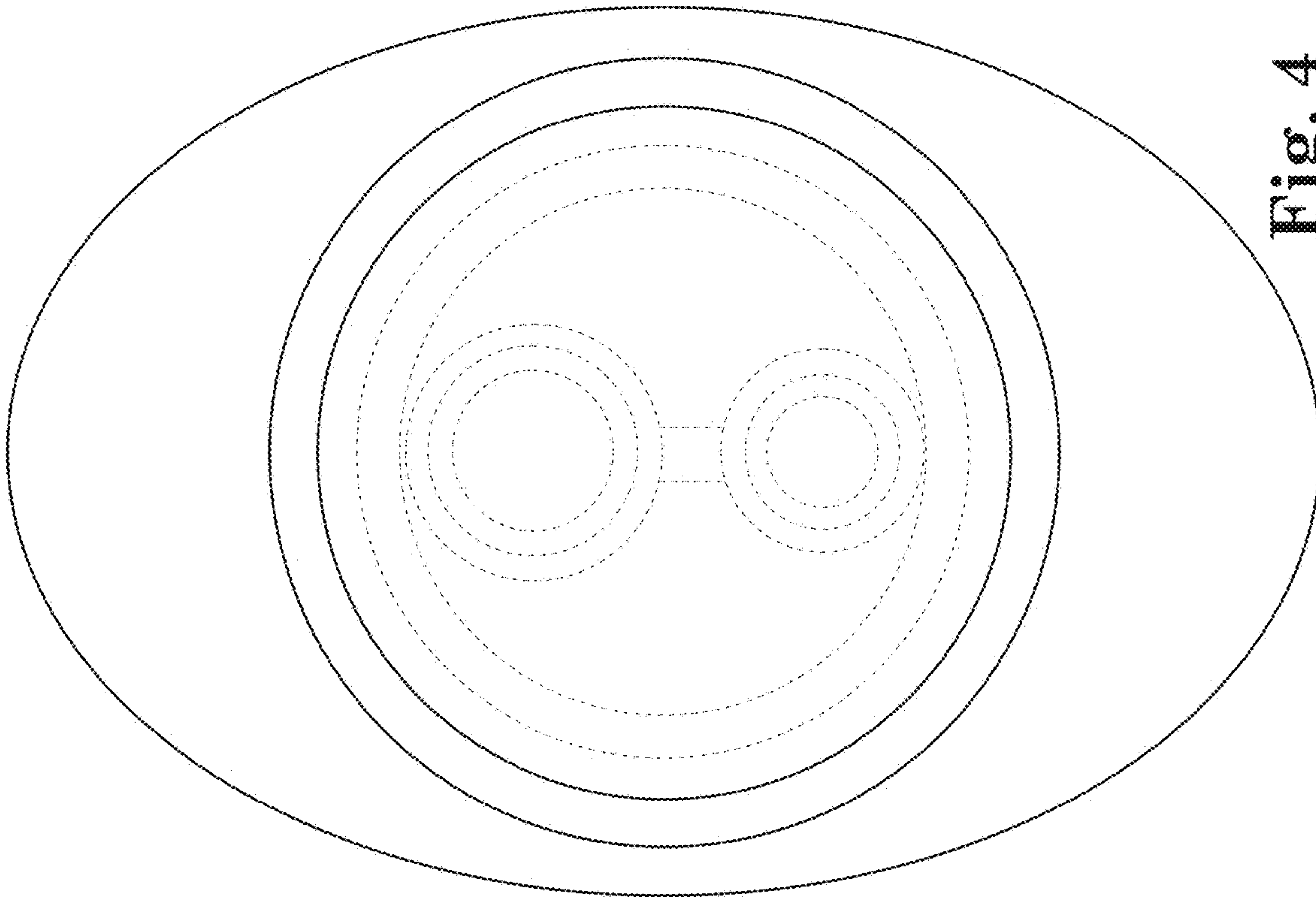


Fig. 4

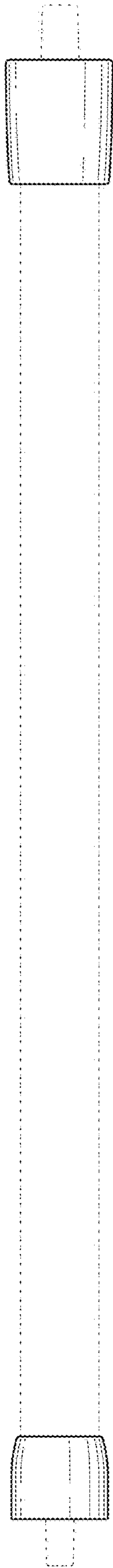


Fig. 6

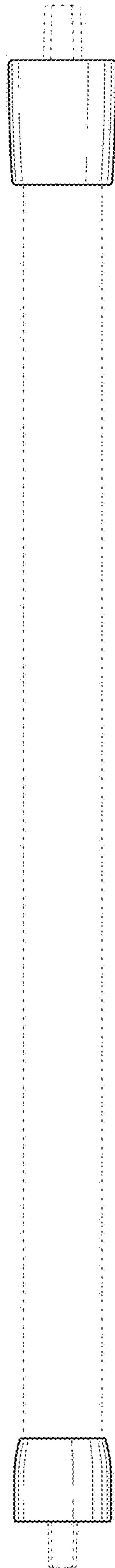


Fig. 7

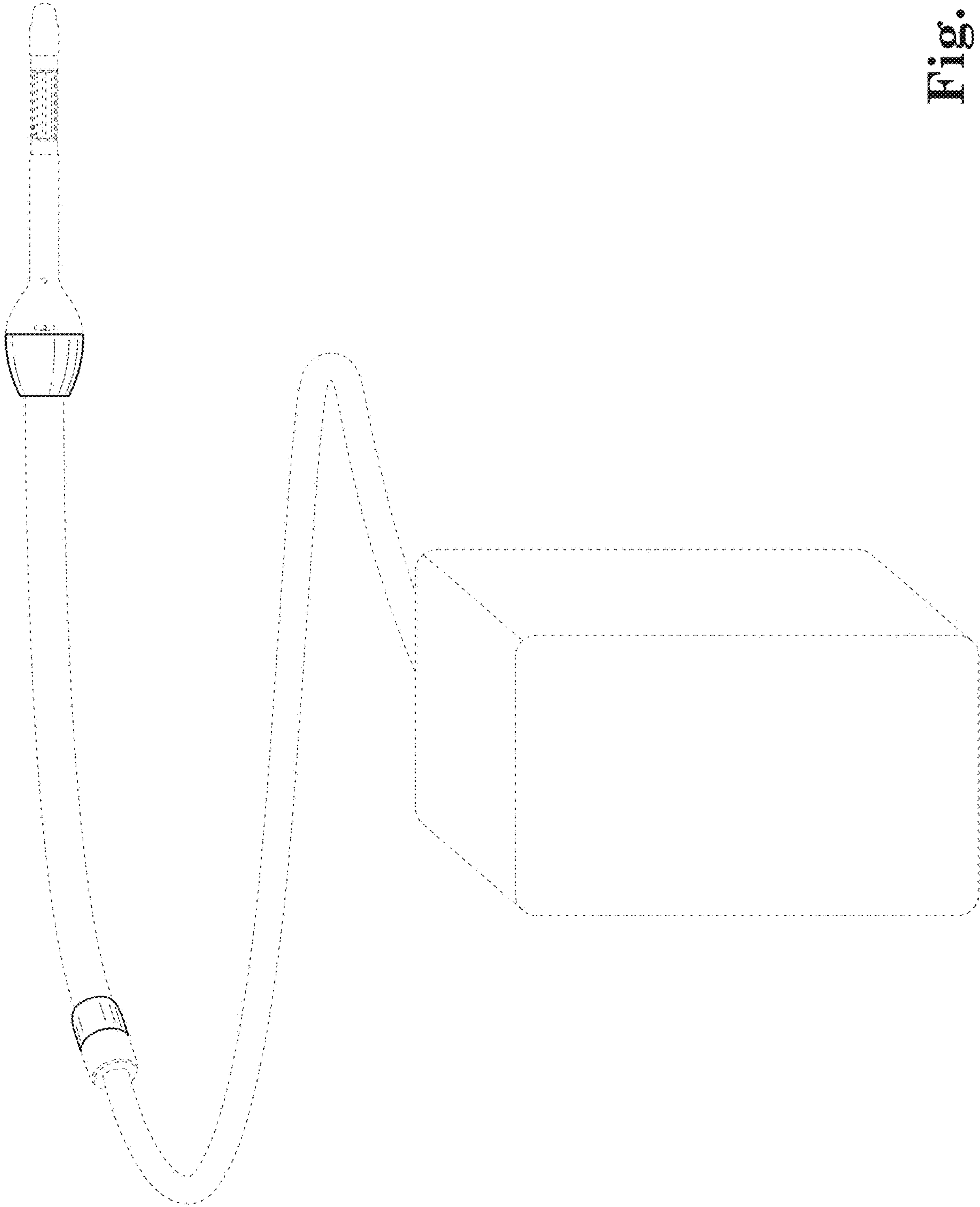


Fig. 8