



US00D837972S

(12) **United States Design Patent**
Bornholdt et al.

(10) **Patent No.:** **US D837,972 S**
(45) **Date of Patent:** **** Jan. 8, 2019**

(54) **FACE MASK FRAME FOR A RESPIRATORY INTERFACE**

(71) Applicant: **Fisher & Paykel Healthcare Limited**,
Auckland (NZ)

(72) Inventors: **Melissa Catherine Bornholdt**,
Auckland (NZ); **Max Leon Betteridge**,
Auckland (NZ); **Hamish Joshua Rose**,
Auckland (NZ)

(73) Assignee: **Fisher & Paykel Healthcare Limited**,
Auckland (NZ)

(**) Term: **15 Years**

(21) Appl. No.: **29/648,933**

(22) Filed: **May 24, 2018**

Related U.S. Application Data

(63) Continuation of application No. 29/576,701, filed on
Sep. 6, 2016, now Pat. No. Des. 821,569.

(51) **LOC (11) Cl.** **29-02**

(52) **U.S. Cl.**
USPC **D24/110.4**

(58) **Field of Classification Search**
USPC D24/110-110.5, 127; D29/108, 122
CPC A61M 16/0622; A61M 16/0616; A61M
16/0633; A61M 16/06; A61M 16/0683;
A61M 16/0605; A61M 16/0644; A61M
16/00

See application file for complete search history.

(56) **References Cited**

U.S. PATENT DOCUMENTS

5,662,101 A 9/1997 Ogden et al.
D586,906 S 2/2009 Stallard
D635,661 S 4/2011 Stallard
D639,420 S 6/2011 D'Souza

D652,914 S 1/2012 D'Souza
D681,192 S 4/2013 D'Souza
D683,447 S 5/2013 Olsen
D693,459 S 11/2013 Prentice
D693,461 S 11/2013 Rothermel
D716,440 S 10/2014 D'Souza
D753,813 S 4/2016 Ozolins
D782,030 S 3/2017 Prentice
D782,031 S 3/2017 Prentice
D784,516 S 4/2017 Prentice
D809,132 S * 1/2018 Bornholdt D24/110.4
D809,649 S * 2/2018 Bornholdt D24/110.4
D814,020 S * 3/2018 Bornholdt D24/110.4
D821,569 S * 6/2018 Bornholdt D24/110.4

(Continued)

OTHER PUBLICATIONS

Fisher & Paykel Healthcare Limited, Simplus Full Face Mask,
185048005 Reva, 2012.
U.S. Appl. No. 29/576,701, filed Sep. 6, 2016, Bornholdt.

Primary Examiner — Eric L Goodman

Assistant Examiner — Lilyana Bekic

(74) *Attorney, Agent, or Firm* — Knobbe Martens Olson
& Bear, LLP

(57) **CLAIM**

The ornamental design for a face mask frame for a respira-
tory interface, as shown and described.

DESCRIPTION

FIG. 1 is a front perspective view of a face mask frame for
a respiratory interface.

FIG. 2 is a rear perspective view thereof.

FIG. 3 is a front view thereof.

FIG. 4 is a rear view of thereof.

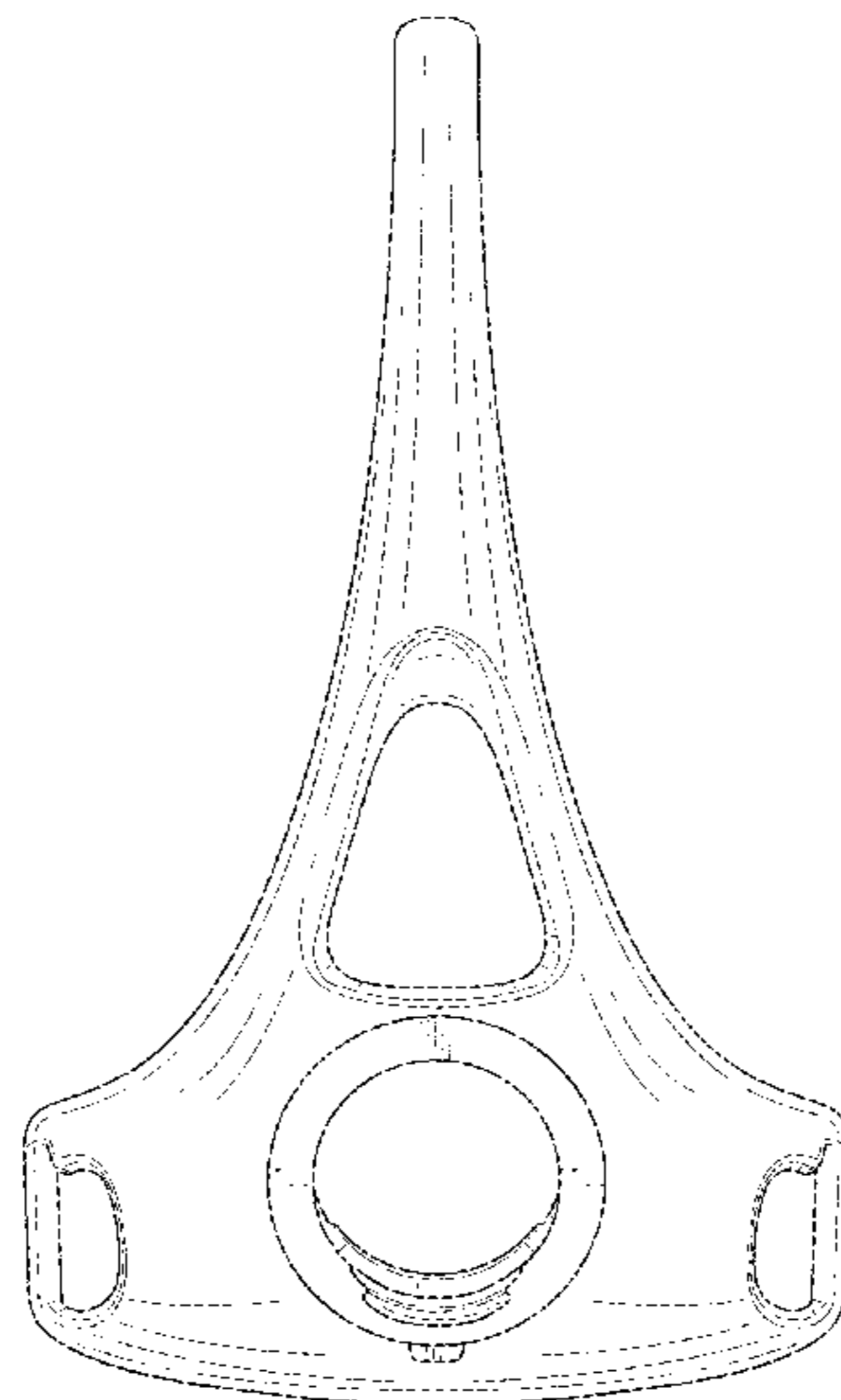
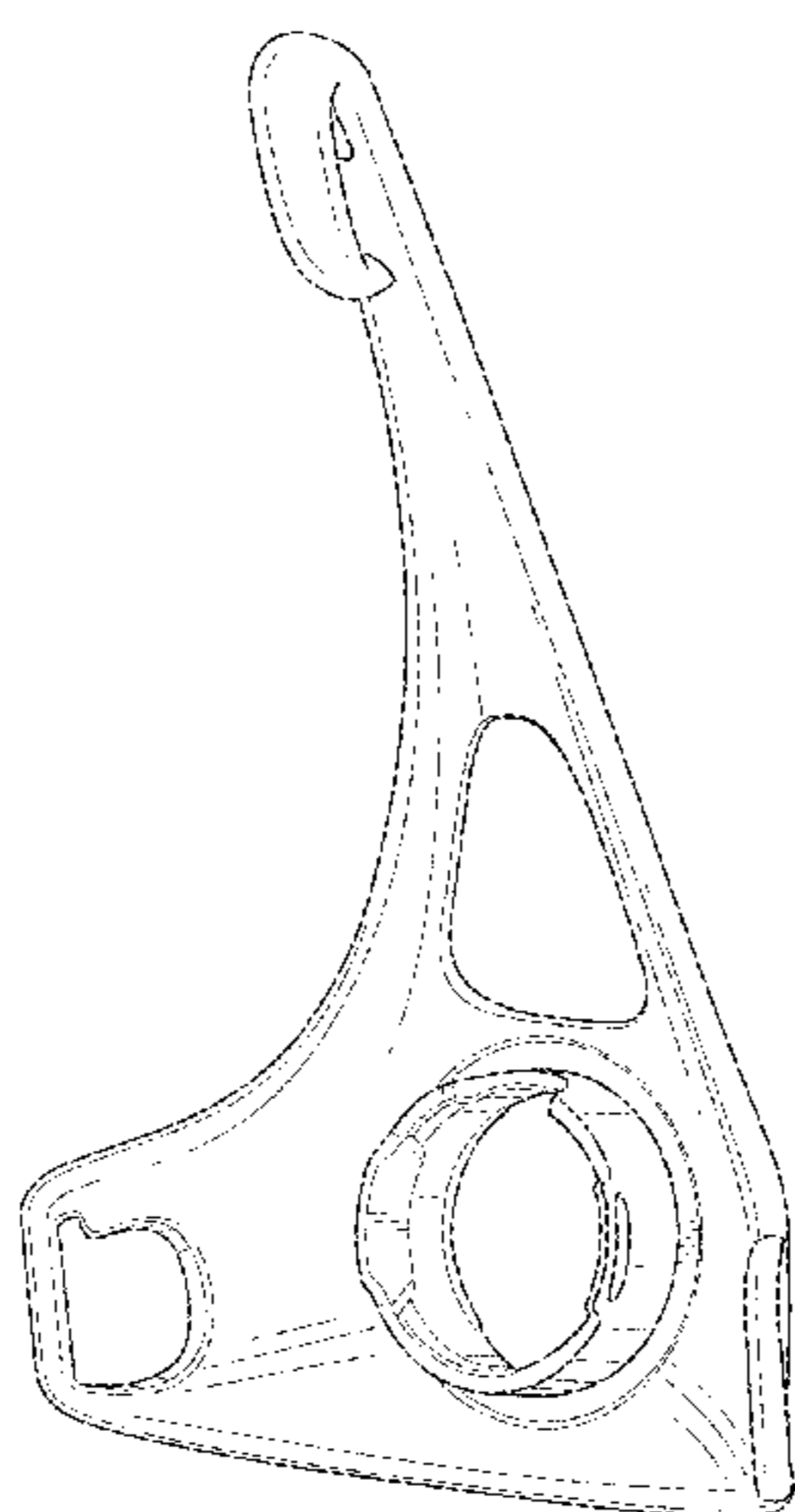
FIG. 5 is a left side view thereof.

FIG. 6 is a right side view thereof.

FIG. 7 is a top view thereof; and,

FIG. 8 is a bottom view thereof.

1 Claim, 8 Drawing Sheets



(56)

References Cited

U.S. PATENT DOCUMENTS

D824,021	S	*	7/2018	Prentice	D24/110.4
D824,511	S	*	7/2018	Prentice	D24/110.1
2004/0134497	A1		7/2004	Gunaratnam et al.		
2007/0044804	A1		3/2007	Matula, Jr. et al.		
2014/0305433	A1		10/2014	Rothermel		
2016/0008558	A1		1/2016	Huddart		
2016/0067442	A1		3/2016	Salmon		
2016/0220781	A1		8/2016	Arrowsmith		
2016/0354572	A1		12/2016	Lim		
2017/0065786	A1		3/2017	Stephenson		
2017/0157353	A1	*	6/2017	Olsen	A61M 16/0683
2018/0185598	A1	*	7/2018	Olsen	A62B 18/08
2018/0207384	A1	*	7/2018	Zhou	A61M 16/0622
2018/0207389	A1	*	7/2018	Fyfe	A61M 16/0858
2018/0214656	A1	*	8/2018	McLaren	A61M 16/06

* cited by examiner

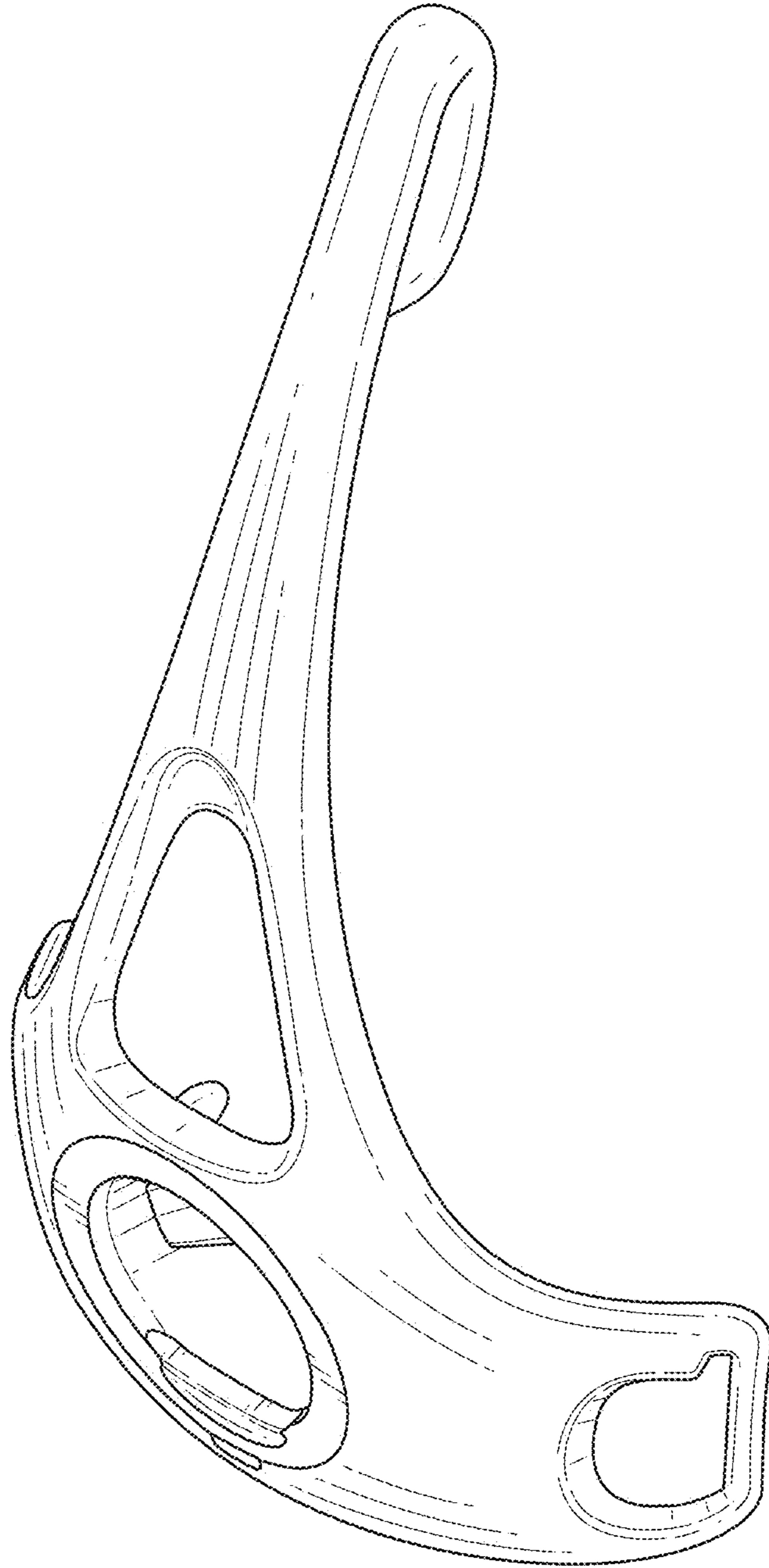


FIG. 1

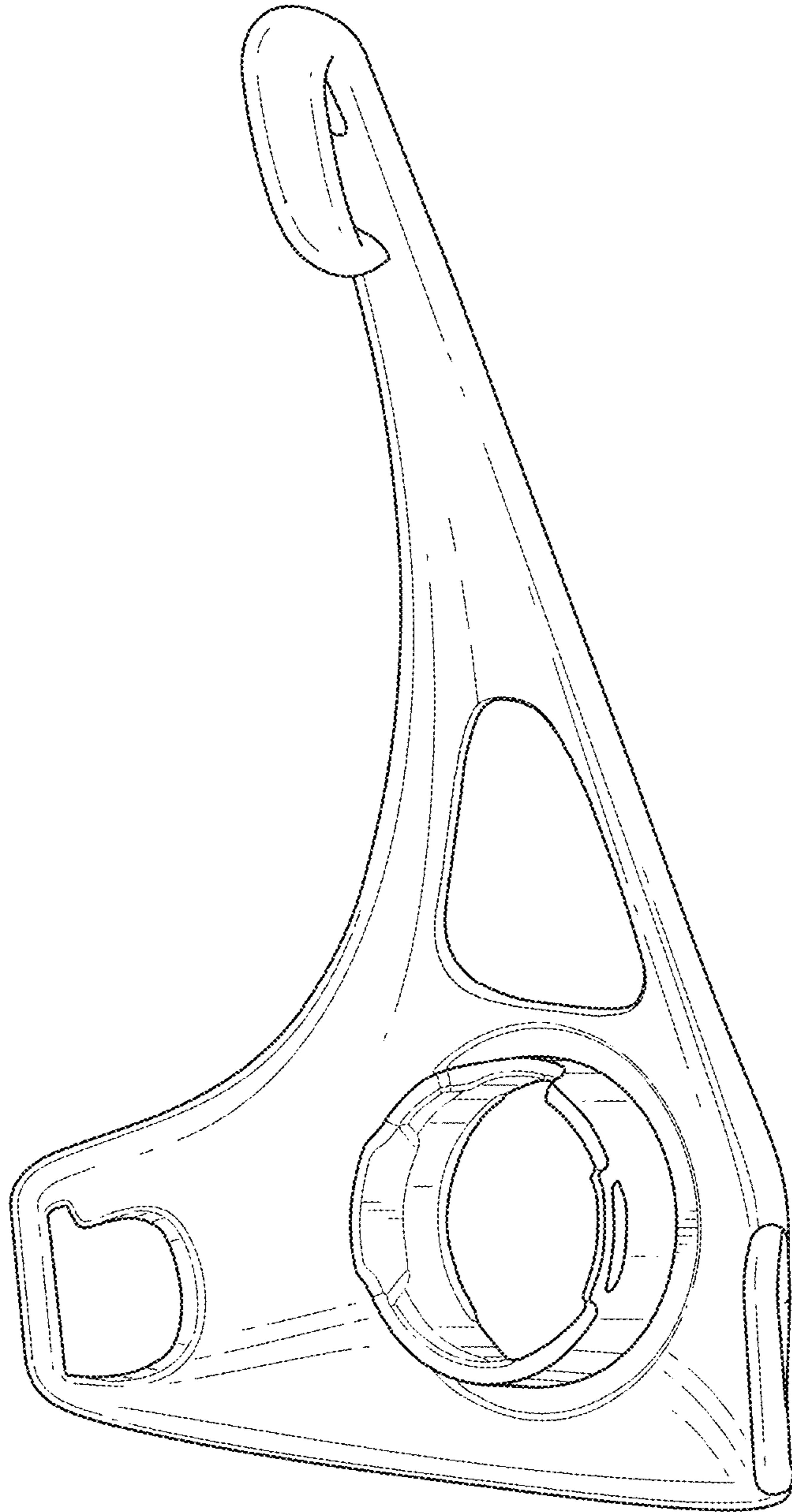


FIG. 2

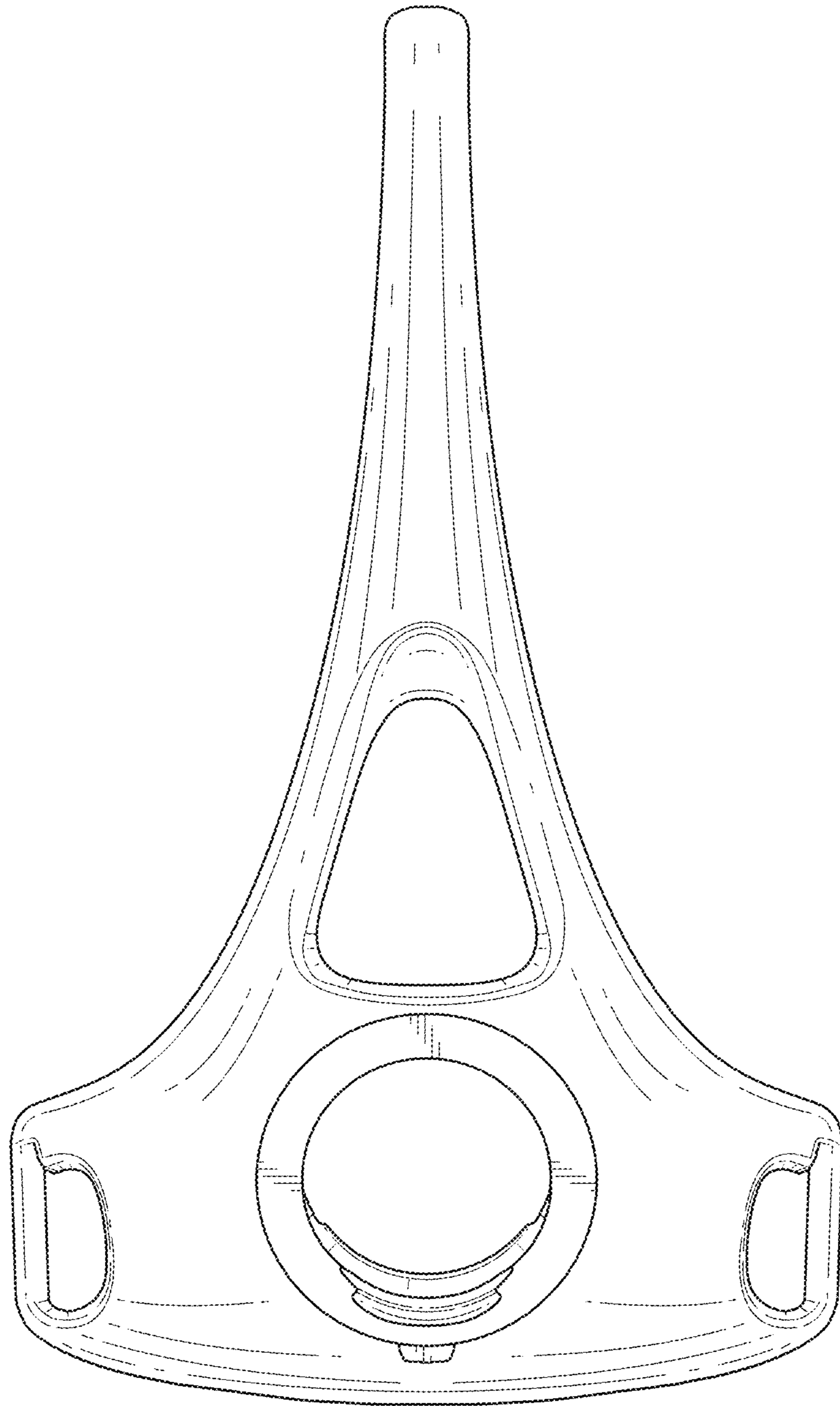


FIG. 3

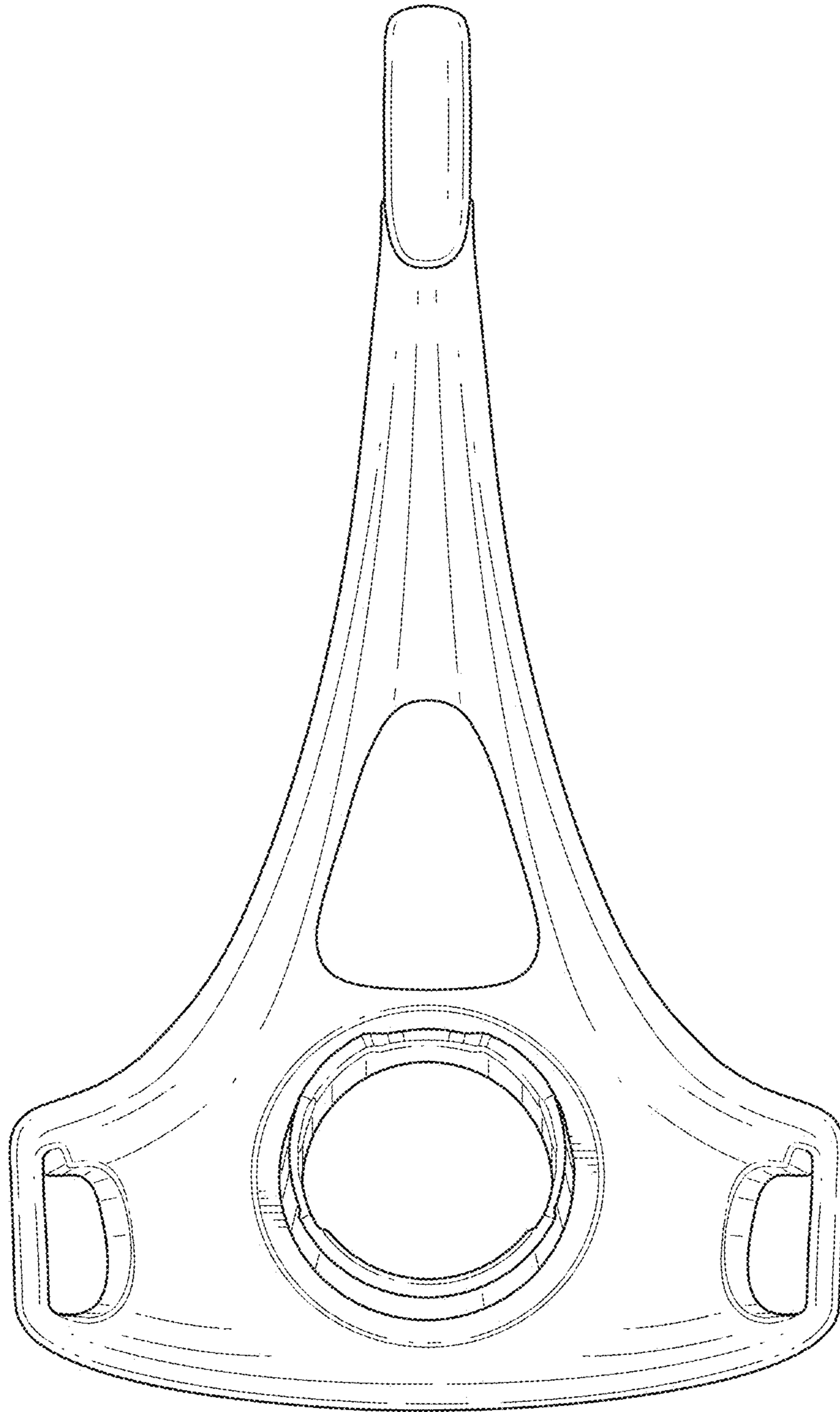


FIG. 4

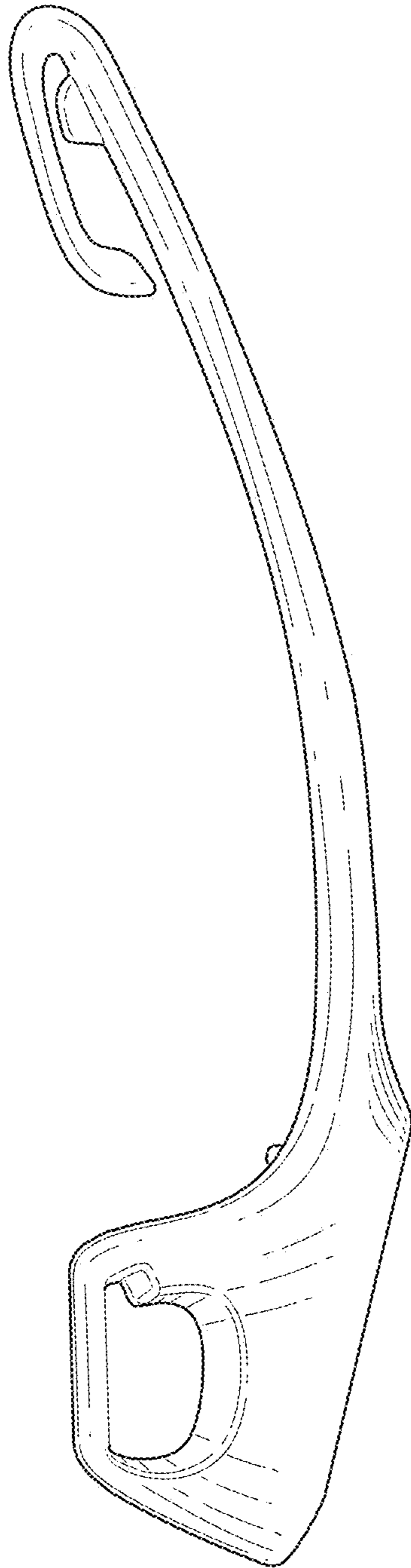


FIG. 5

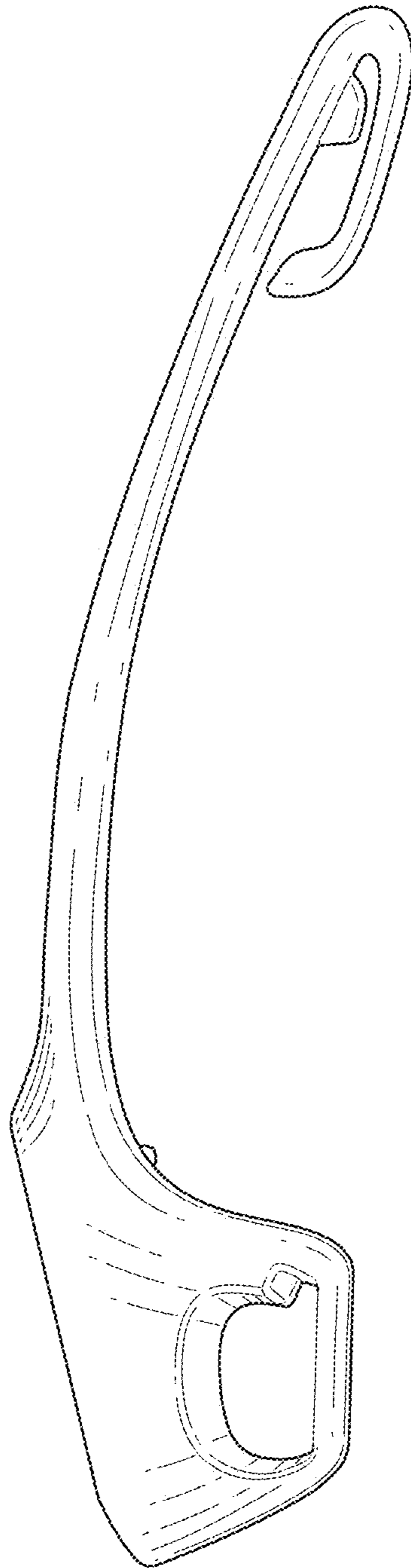


FIG. 6

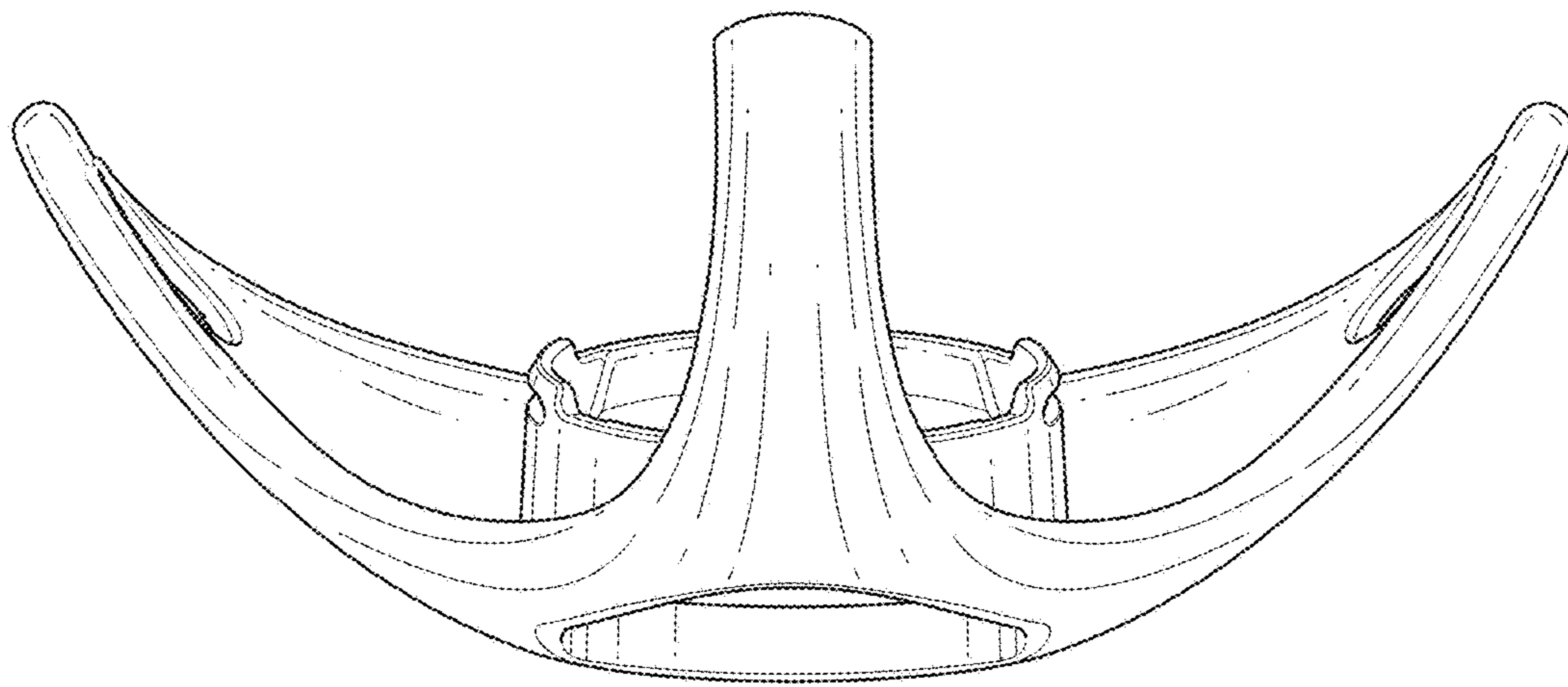


FIG. 7

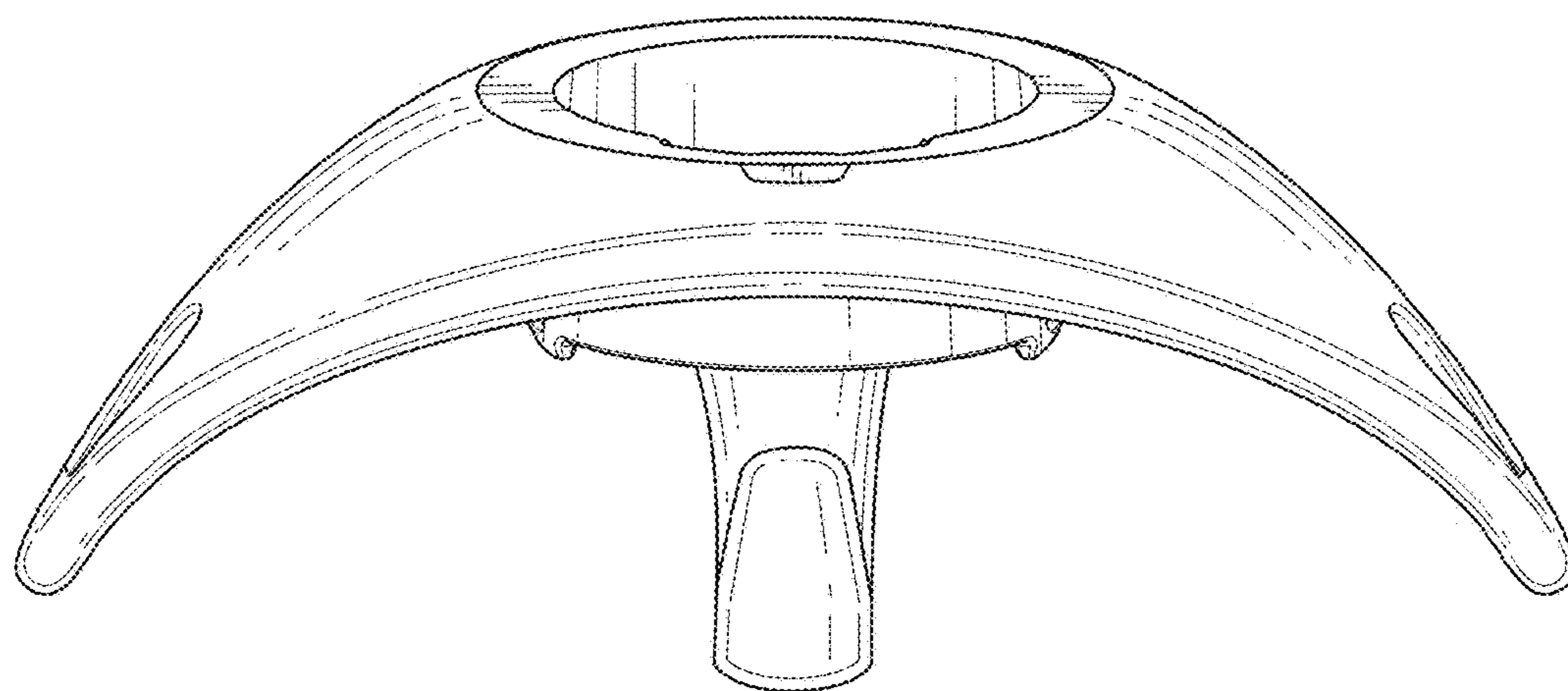


FIG. 8