



US00D837970S

(12) **United States Design Patent**
Henderson et al.

(10) **Patent No.:** **US D837,970 S**
(45) **Date of Patent:** **** Jan. 8, 2019**

- (54) **MASK**
- (71) Applicant: **3M INNOVATIVE PROPERTIES COMPANY**, St. Paul, MN (US)
- (72) Inventors: **Christopher P. Henderson**, High Shincliffe (GB); **Ciaran G. McMenamin**, Newton Aycliffe (GB); **Reyad A. Abdulqader**, Stockton-On-Tees (GB)
- (73) Assignee: **3M Innovative Properties Company**, St. Paul, MN (US)

- D420,769 S * 2/2000 White D24/110.1
- D424,688 S * 5/2000 Bryant D24/110.1
- 6,123,077 A * 9/2000 Bostock A41D 13/11
128/206.12
- D431,647 S * 10/2000 Henderson D24/110.1
- D449,377 S * 10/2001 Henderson D24/110.1
- 6,460,539 B1 * 10/2002 Japuntich A41D 13/1138
128/205.12
- 6,484,722 B2 * 11/2002 Bostock A41D 13/1115
128/206.12
- 6,886,563 B2 * 5/2005 Bostock A41D 13/11
128/206.12
- 7,185,653 B2 * 3/2007 Lee A41D 13/1161
128/206.12
- D546,942 S * 7/2007 Taylor D24/110.6

(**) Term: **15 Years**

(21) Appl. No.: **29/586,194**

(22) Filed: **Dec. 1, 2016**

(30) **Foreign Application Priority Data**

Jun. 9, 2016 (EM) 001449995

(51) **LOC (11) Cl.** **29-02**

(52) **U.S. Cl.**
USPC **D24/110.1**

(58) **Field of Classification Search**
USPC D24/110-110.6, 127, 129; D29/110
CPC A61M 16/0616; A61M 16/0633; A61M
16/06; A61M 16/0666; A61M 16/0683;
A61M 16/0605; A61M 16/0622; A61M
16/0644; A61M 16/0875; A61M 16/0816;
A61M 16/08; B63C 11/205; B63C 11/16;
B63C 11/186; B63C 11/12
See application file for complete search history.

(56) **References Cited**

U.S. PATENT DOCUMENTS

- 3,971,369 A * 7/1976 Aspelin A41D 13/1115
128/206.19
- D416,323 S * 11/1999 Henderson D24/110.1

FOREIGN PATENT DOCUMENTS

KR 300930162.0000 * 12/2016

Primary Examiner — Eric L Goodman

Assistant Examiner — Aula Soroush

(74) *Attorney, Agent, or Firm* — Dena M. Ehrich

(57) **CLAIM**

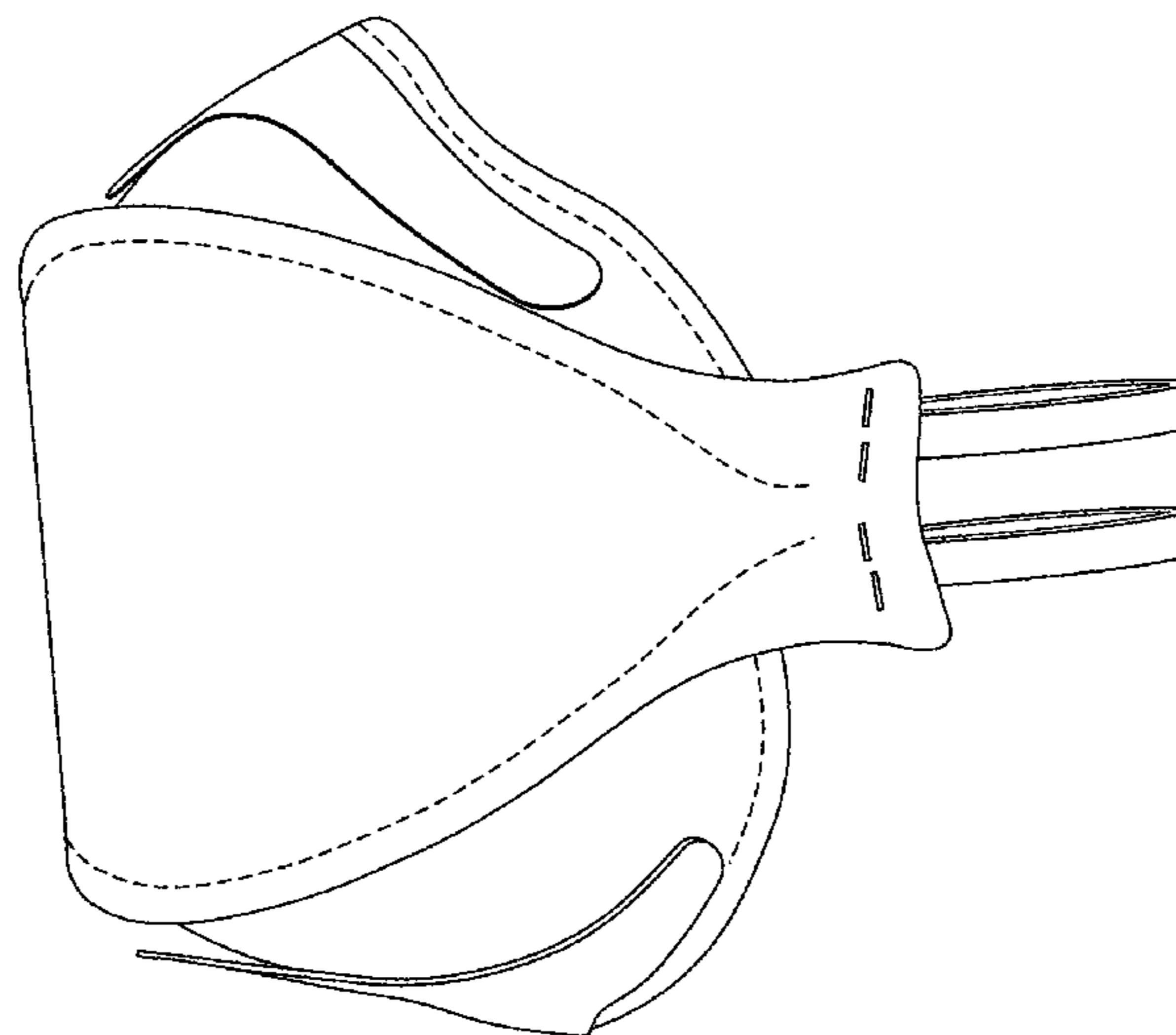
The ornamental design for mask, as shown and described.

DESCRIPTION

FIG. 1 is a rear perspective view of a mask in a folded state, showing the new design;
 FIG. 2 is a rear elevation view thereof;
 FIG. 3 is a front elevation view;
 FIG. 4 is a right side elevation view thereof;
 FIG. 5 is a left side elevation view thereof;
 FIG. 6 is a bottom plan view thereof;
 FIG. 7 is a top plan view thereof; and,
 FIG. 8 is a side perspective view of a mask in an unfolded state.

The broken lines in the drawings depict portions of the mask that form no part of the claimed design.

1 Claim, 3 Drawing Sheets



(56)

References Cited

U.S. PATENT DOCUMENTS

D620,104 S * 7/2010 Curran D24/110.1
8,251,065 B2 * 8/2012 Kim A62B 23/025
128/206.19
8,365,771 B2 * 2/2013 Xue A62B 18/025
128/206.12
9,770,611 B2 * 9/2017 Facer A62B 23/025
D803,391 S * 11/2017 Reese D24/110.1
2003/0005934 A1 * 1/2003 Japuntich A41D 13/11
128/206.15

* cited by examiner

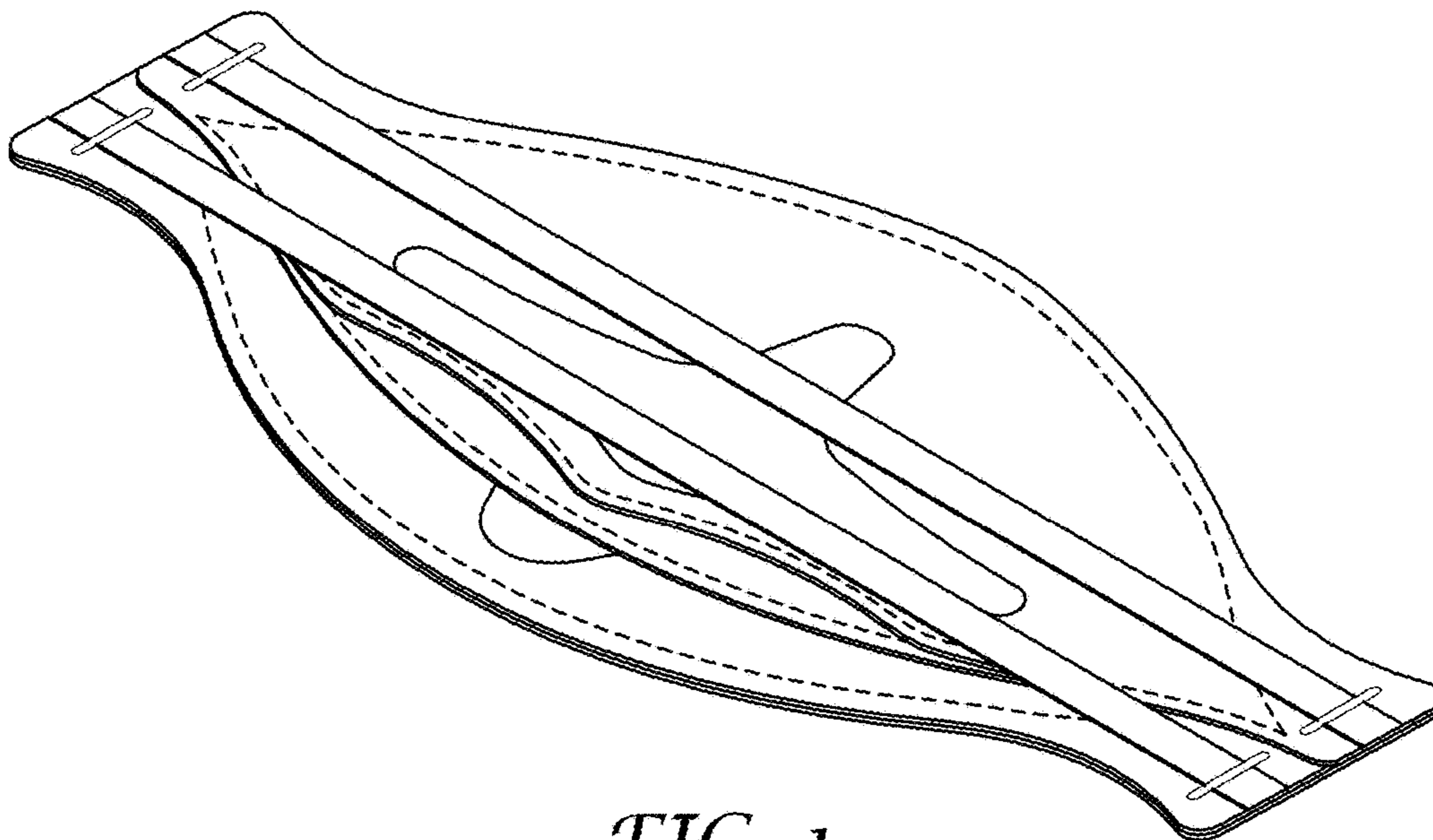


FIG. 1

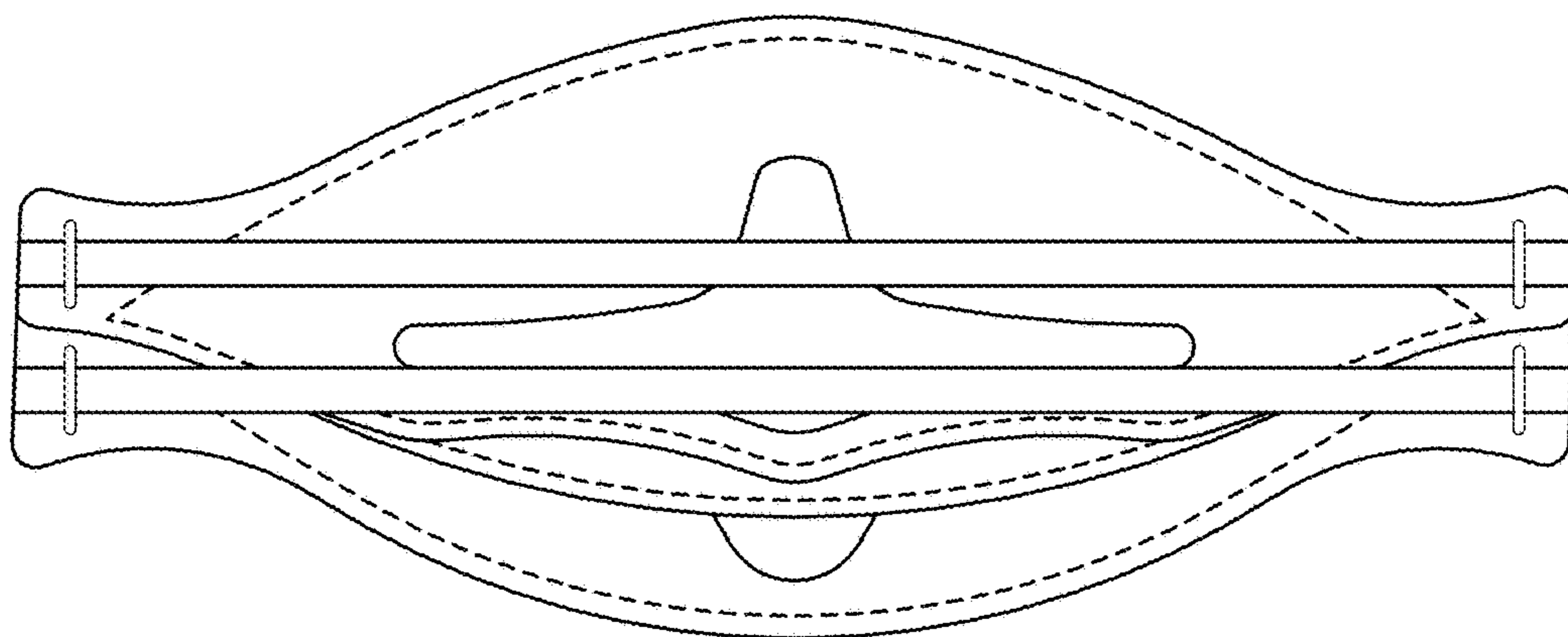


FIG. 2

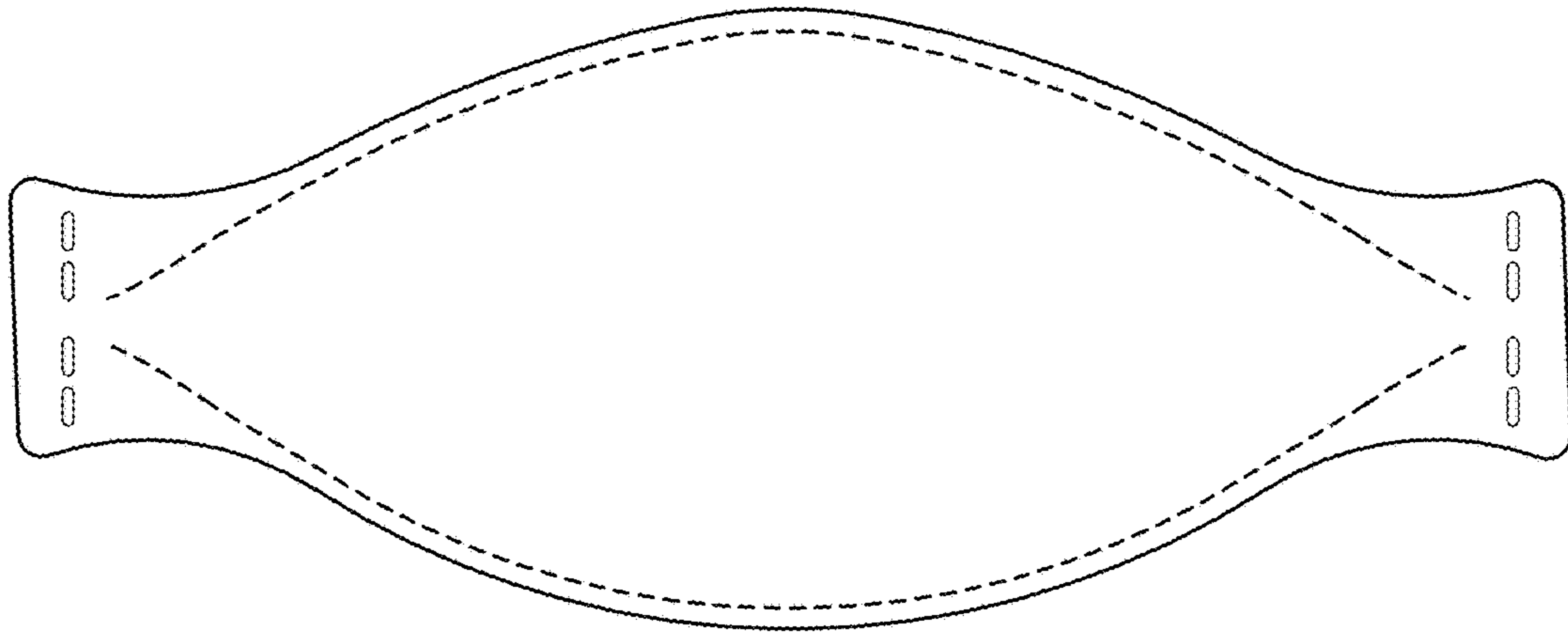


FIG. 3



FIG. 4



FIG. 5



FIG. 6



FIG. 7

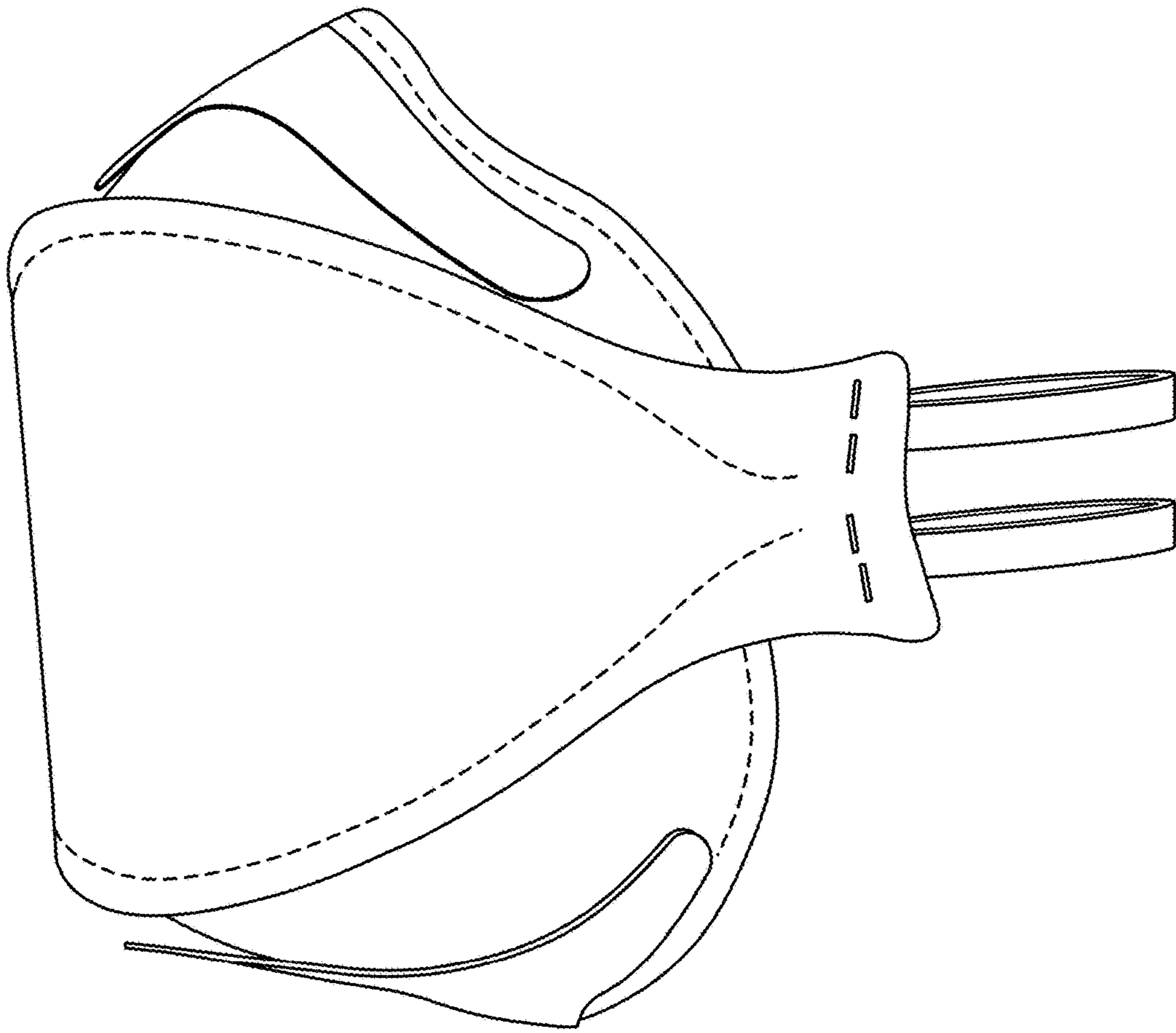


FIG. 8