

US00D837969S

(12) **United States Design Patent**
Sutherland

(10) **Patent No.:** **US D837,969 S**
(45) **Date of Patent:** **** Jan. 8, 2019**

(54) **COMPLIANCE MONITOR FOR A
MEDICAMENT INHALER**
(71) Applicant: **Adherium (NZ) Limited**, Auckland
(NZ)
(72) Inventor: **Garth Campbell Sutherland**, Auckland
(NZ)
(73) Assignee: **ADHERIUM (NZ) LIMITED**,
Auckland (NZ)

(**) Term: **15 Years**
(21) Appl. No.: **29/547,460**
(22) Filed: **Dec. 3, 2015**

(30) **Foreign Application Priority Data**
Jun. 4, 2015 (NZ) 420306
Jun. 4, 2015 (NZ) 420307
(51) **LOC (11) Cl.** **29-02**
(52) **U.S. Cl.**
USPC **D24/110; D24/127**
(58) **Field of Classification Search**
USPC D24/107, 108, 110, 111, 127, 164, 188
CPC A61M 15/00; A61M 15/0065; A61M
15/0091; A61M 15/0021; A61M 15/0026;
A61M 11/00; A61M 11/02; A61M 11/04;
A61M 15/0001; A61M 15/0068; A61M
15/008; A61M 15/0083; A61M 15/0025
See application file for complete search history.

(56) **References Cited**
U.S. PATENT DOCUMENTS
5,363,842 A * 11/1994 Mishelevich A61B 8/0875
128/200.14
6,202,642 B1 * 3/2001 McKinnon A61M 15/009
128/200.14

D475,133 S * 5/2003 McLuckie D24/110
D511,208 S * 11/2005 Pardonge D24/110
8,342,172 B2 * 1/2013 Levy A61M 15/009
128/200.14
D757,926 S * 5/2016 Van Sickle D24/110
D774,178 S * 12/2016 Van Sickle D24/110
D777,904 S * 1/2017 Van Sickle D24/110
2010/0192948 A1 * 8/2010 Sutherland A61M 15/0065
128/203.15
2010/0250280 A1 * 9/2010 Sutherland A61M 15/0065
705/3

(Continued)

Primary Examiner — Eric L Goodman
Assistant Examiner — Lilyana Bekic
(74) *Attorney, Agent, or Firm* — Kenealy Vaidya LLP

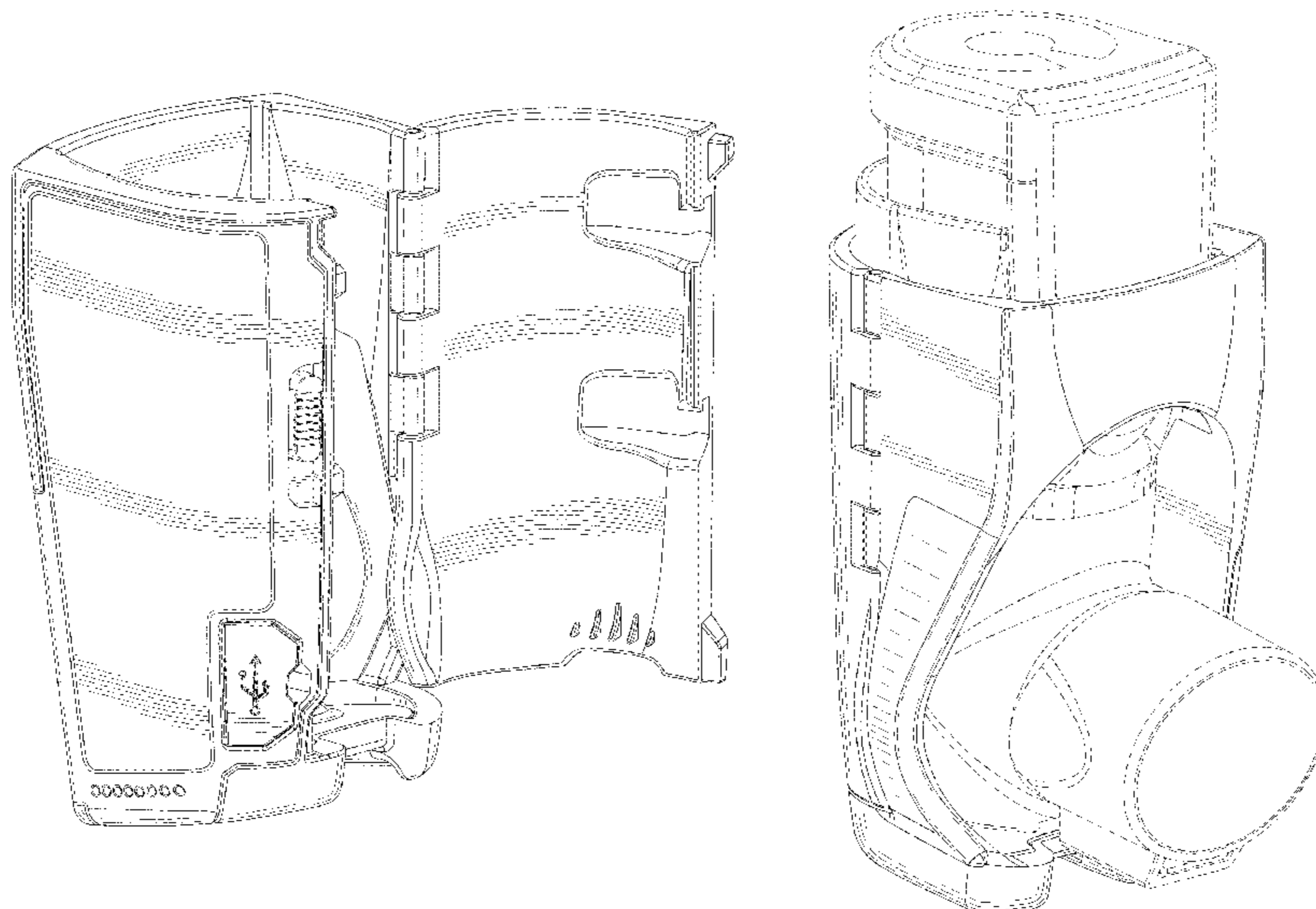
(57) **CLAIM**

The ornamental design for a compliance monitor for a medicament inhaler, as shown and described.

DESCRIPTION

FIG. 1 is a left side view of a compliance monitor for a medicament inhaler of the present invention;
FIG. 2 is a front view thereof;
FIG. 3 is a rear view thereof;
FIG. 4 is a right side view thereof;
FIG. 5 is a top view thereof;
FIG. 6 is a bottom view thereof with two dome switches;
FIG. 7 is a front perspective view thereof, shown with the hinge door opened;
FIG. 8 is a rear perspective view thereof;
FIG. 9 is a front perspective view of the compliance monitor of FIG. 1, shown with a medicament inhaler; and,
FIG. 10 is a rear perspective view thereof.
The broken line showing of the medicament inhaler in FIGS. 9-10 depicts environmental structure and forms no part of the claimed design. All other broken lines depict portions of the compliance monitor for a medicament inhaler that form no part of the claimed design.

1 Claim, 10 Drawing Sheets



(56)

References Cited

U.S. PATENT DOCUMENTS

2010/0252036 A1* 10/2010 Sutherland A61M 15/00
128/203.12
2011/0253139 A1* 10/2011 Guthrie A61M 15/009
128/203.14
2014/0182584 A1* 7/2014 Sutherland A61M 15/009
128/200.23
2016/0228657 A1* 8/2016 Sutherland A61M 15/009
2016/0325058 A1* 11/2016 Samson A61B 5/097

* cited by examiner

FIG. 1

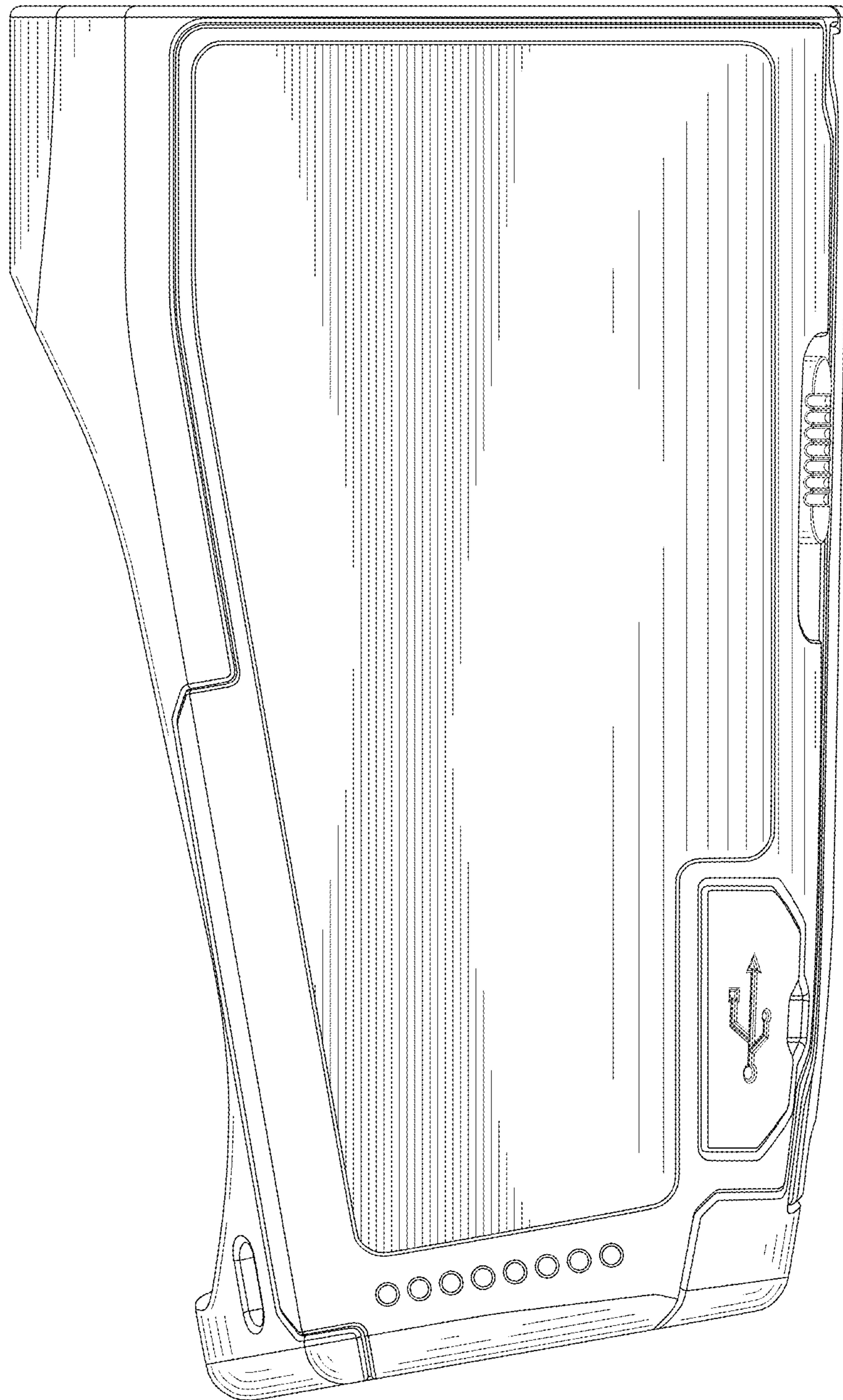


FIG. 2

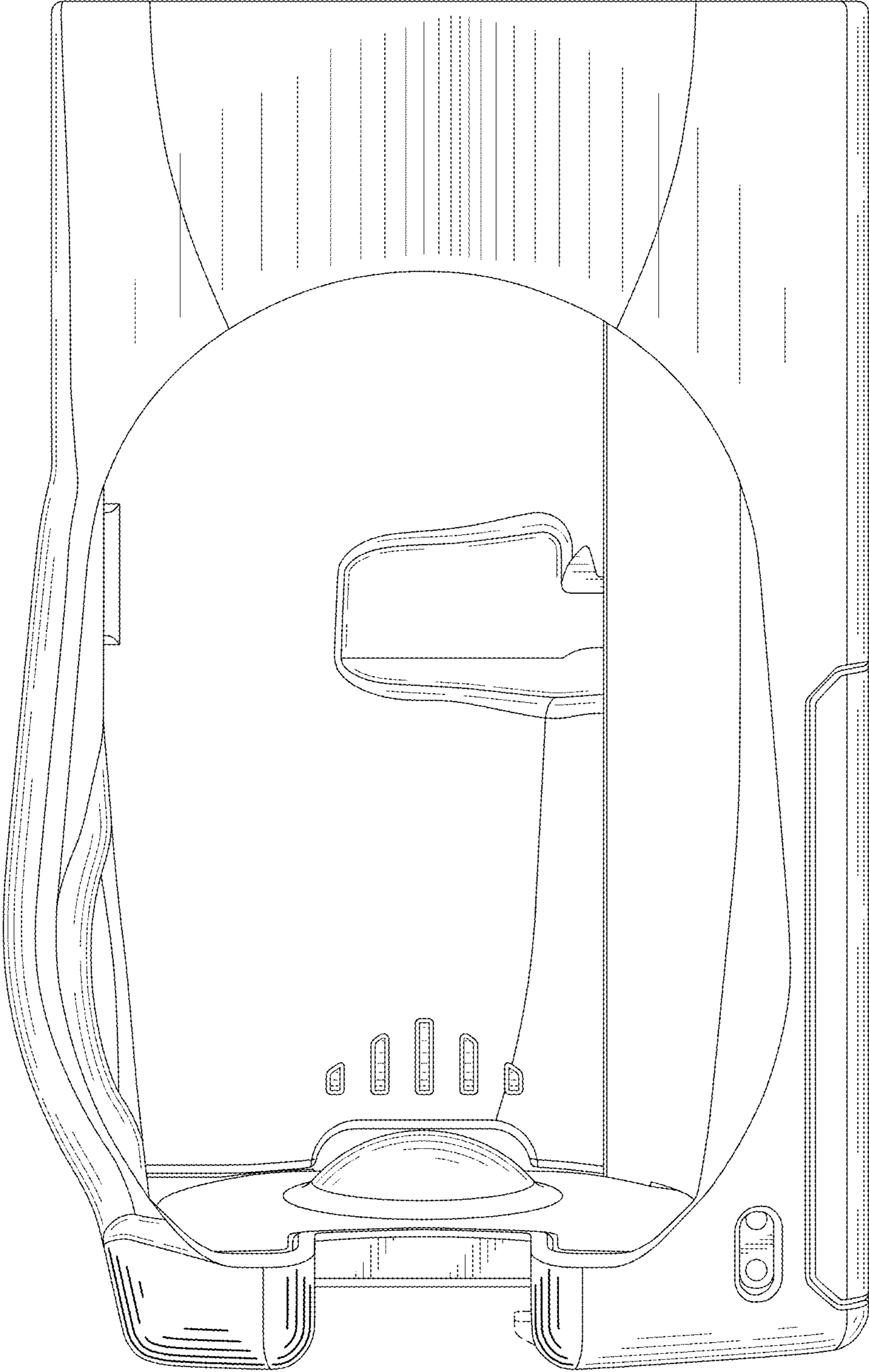


FIG. 3

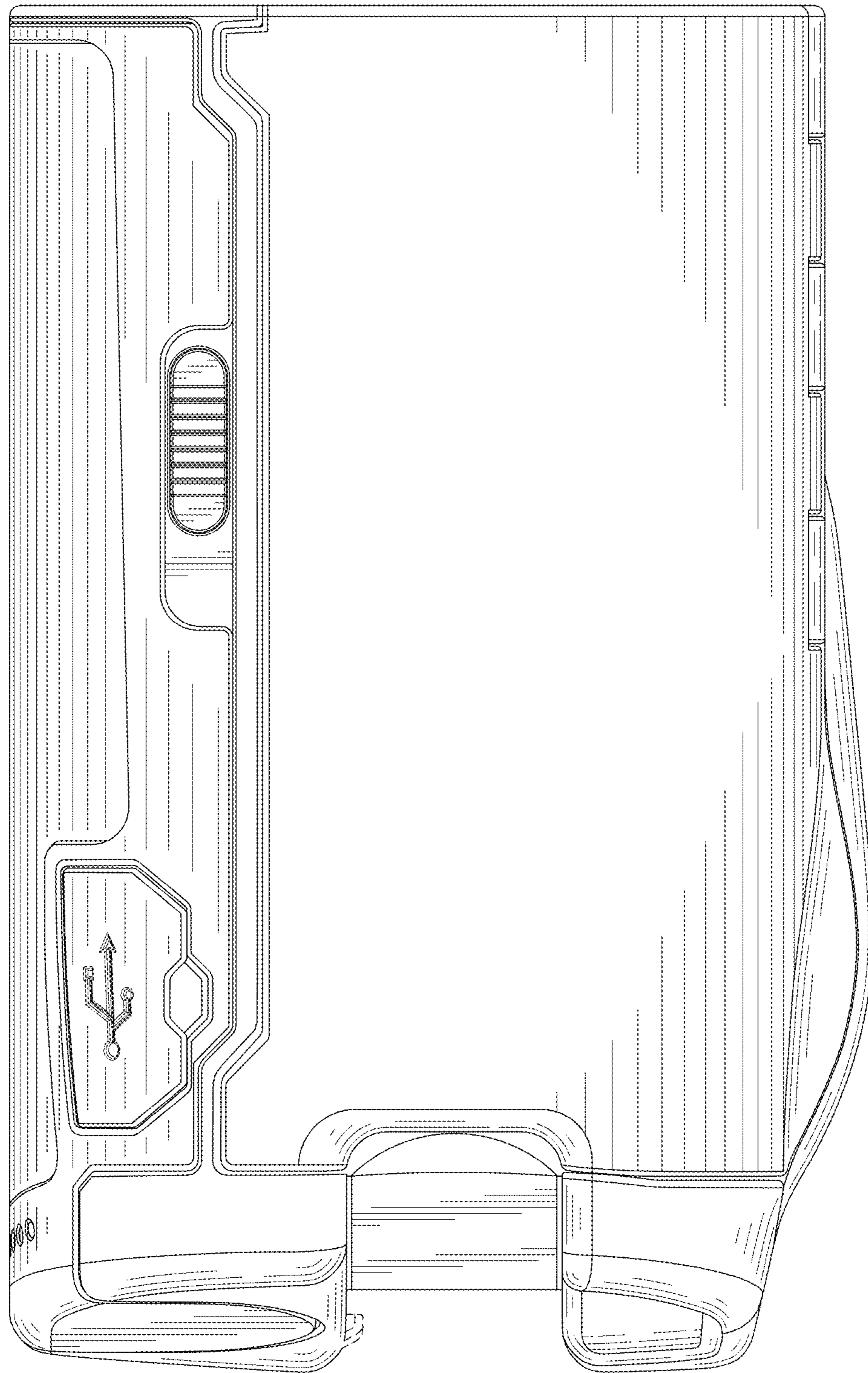


FIG. 4

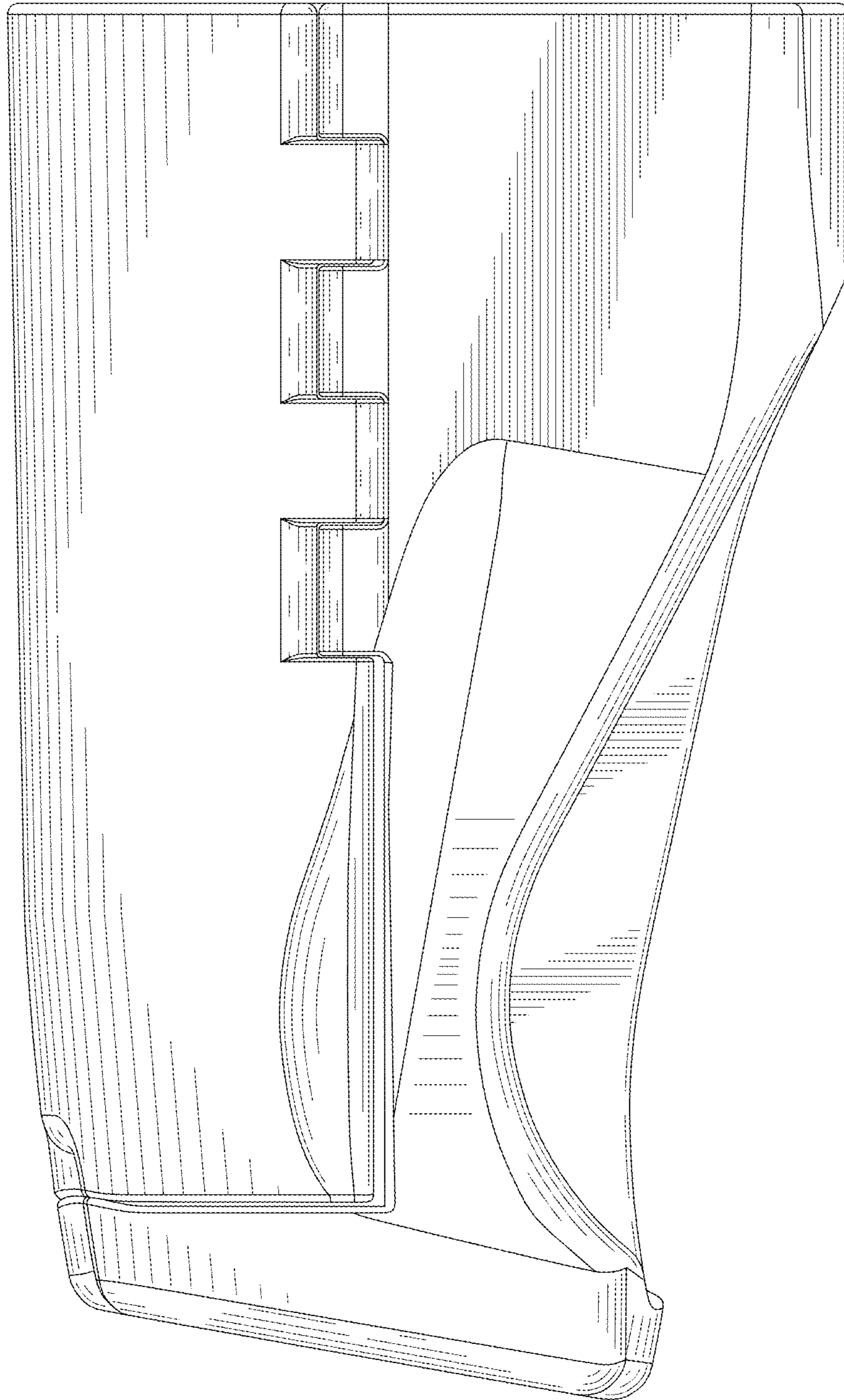


FIG. 5

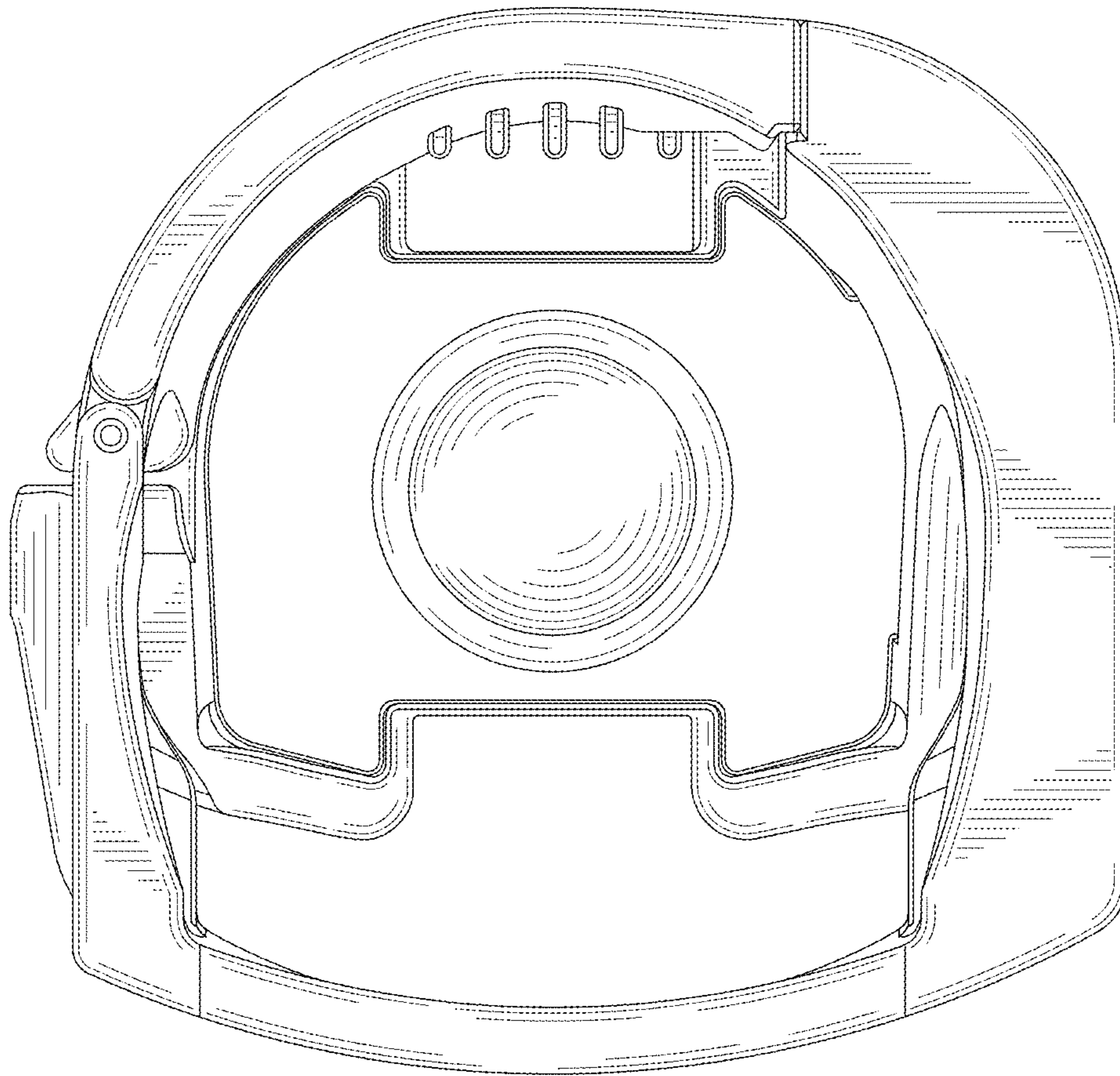


FIG. 6

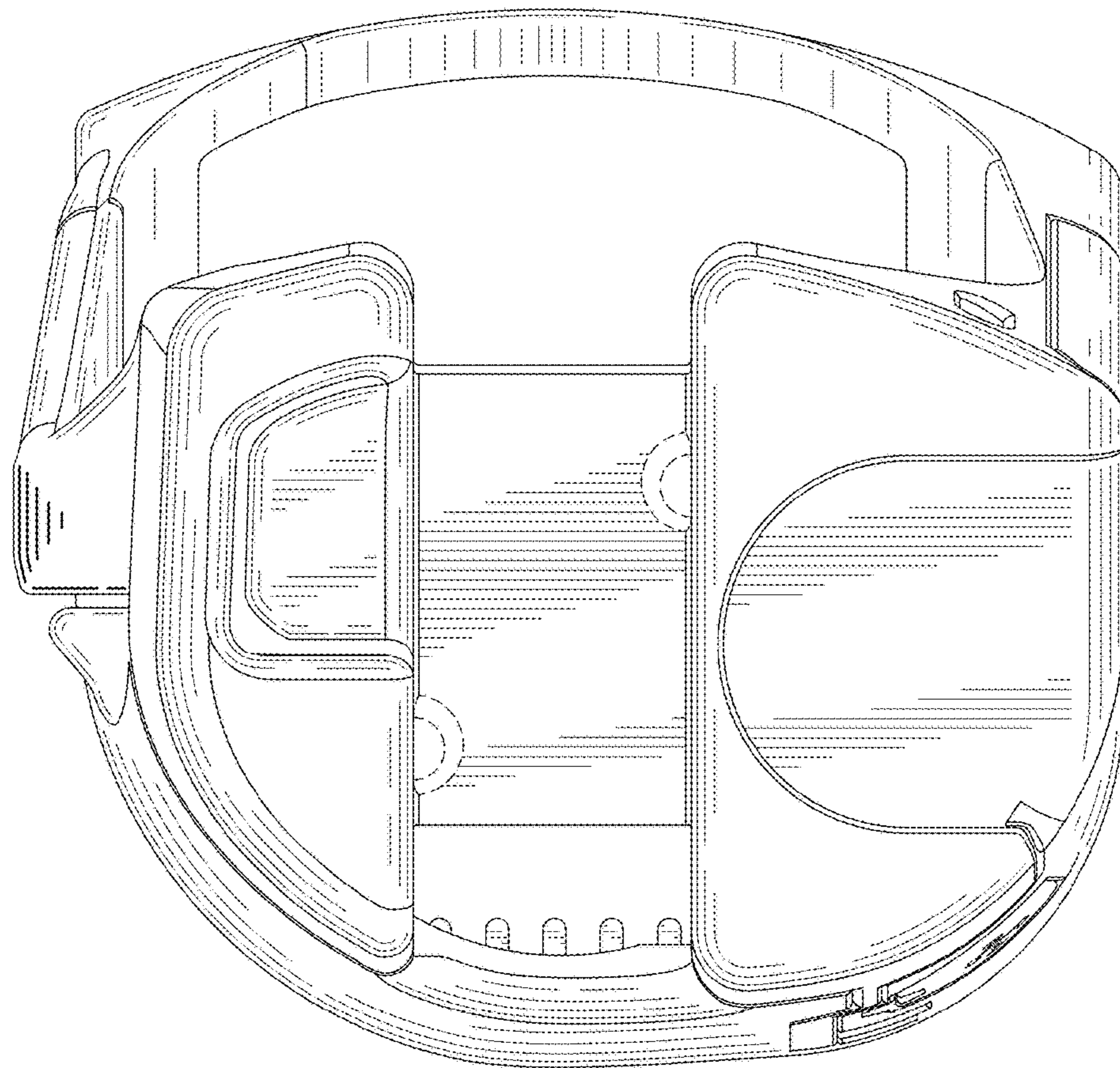


FIG. 7

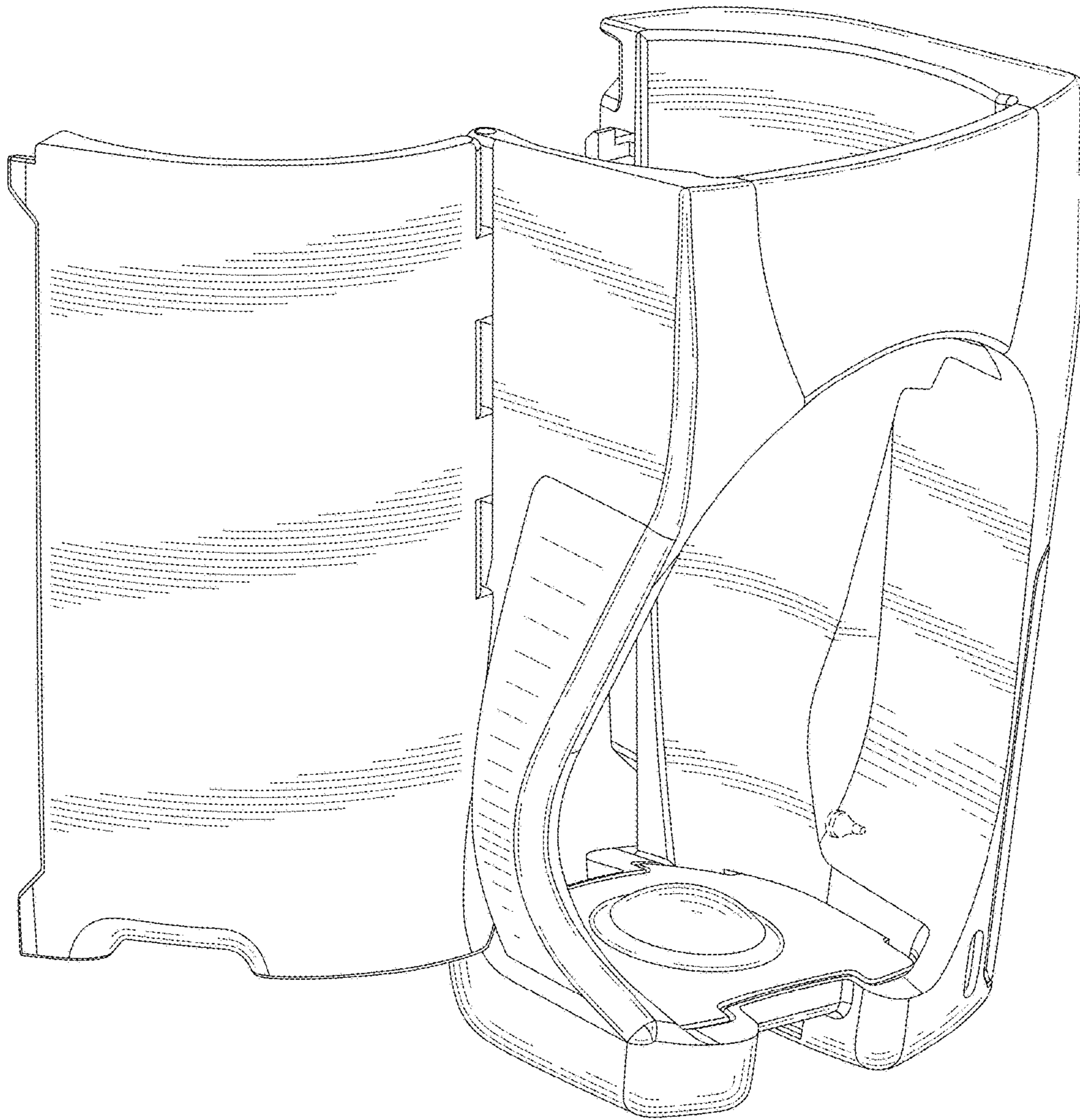


FIG. 8

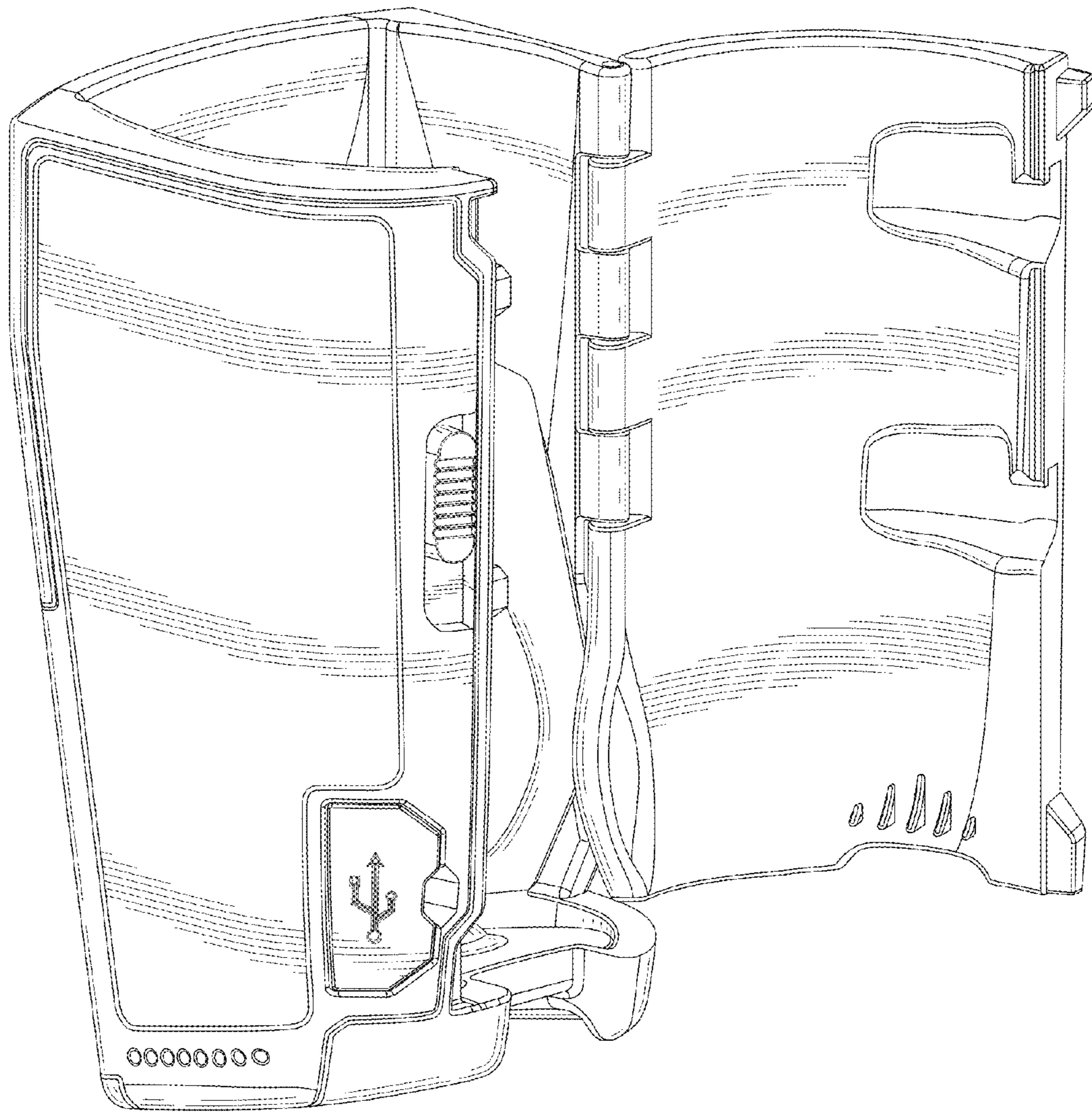


FIG. 9

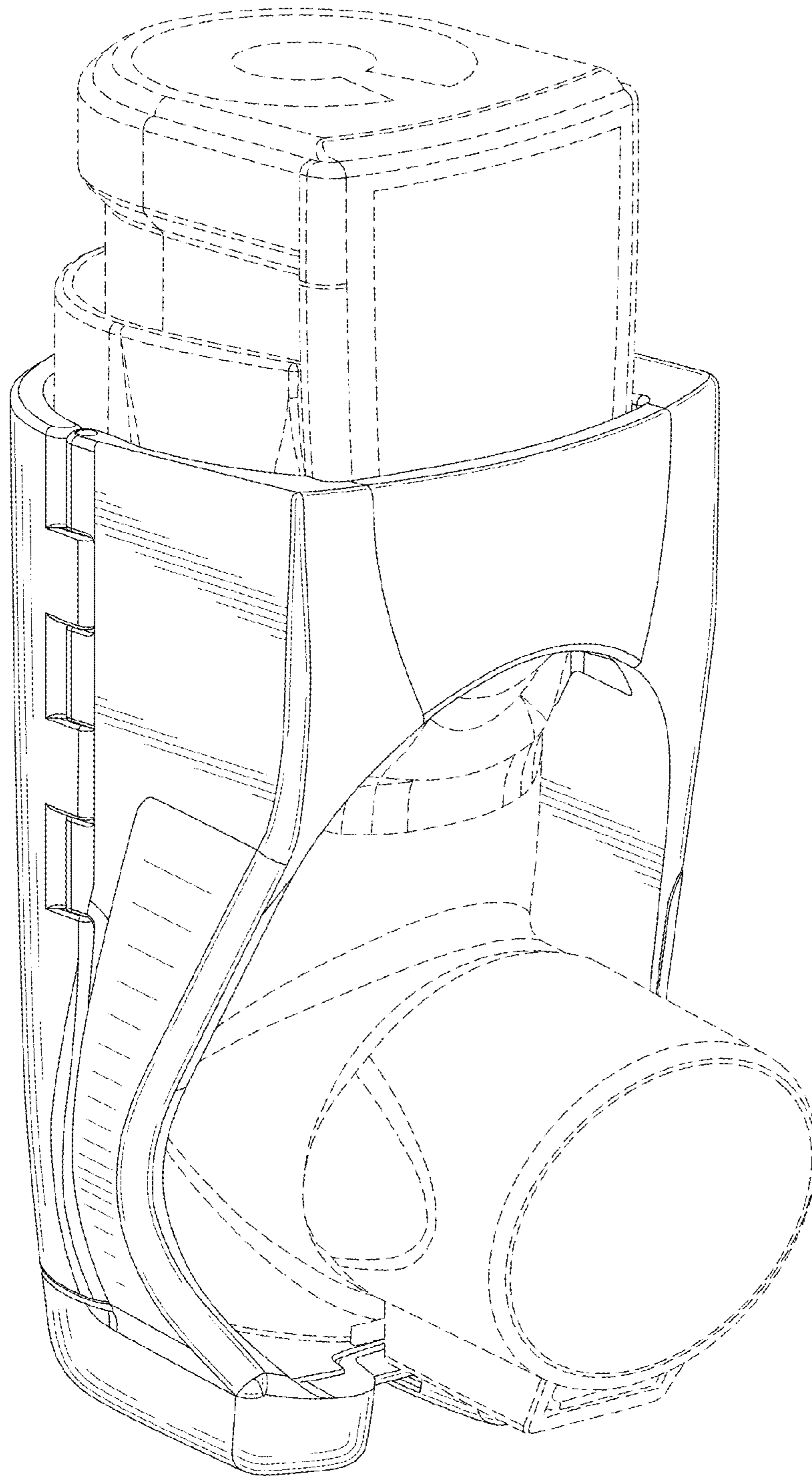


FIG. 10

