



US00D837967S

(12) **United States Design Patent**  
**Cannamela et al.**

(10) **Patent No.:** **US D837,967 S**  
(45) **Date of Patent:** **\*\* Jan. 8, 2019**

(54) **TABLET**

(71) Applicant: **Johnson & Johnson Consumer Inc.,**  
Skillman, NJ (US)

(72) Inventors: **Michael G. Cannamela**, Atlantic  
Highlands, NJ (US); **Anthony Robert**  
**Geonnotti, III**, Princeton, NJ (US);  
**Max Hunter Knecht**, Brooklyn, NY  
(US); **Bjarne Høltzermann**, Vejle (DK)

(73) Assignee: **Johnson & Johnson Consumer Inc.,**  
Skillman, NJ (US)

(\*\*) Term: **15 Years**

(21) Appl. No.: **29/621,722**

(22) Filed: **Oct. 11, 2017**

(51) **LOC (11) Cl.** ..... **28-01**

(52) **U.S. Cl.**  
USPC ..... **D24/101; D1/114**

(58) **Field of Classification Search**  
USPC ..... D1/100–130, 199; 426/94, 104, 138,  
426/143, 144, 274, 283, 303, 391, 512,  
426/514, 518, 549; D6/597, 601;  
D7/675, 560, 566, 568, 672; D9/451,  
D9/643, 707, 710, 715; D28/8.1, 8.2;  
D21/385, 386, 707; D24/101–104  
CPC . A21C 11/12; A22C 13/0013; A21D 13/0016;  
A21D 13/0022; A21D 13/0025; A21D  
13/0029; A21D 13/0074; A23G 3/343;  
A23G 3/36; A23G 3/28; A23G 3/54;  
A23G 4/20; A23G 9/48; A61K 9/2072;  
A61K 9/2095; A23L 1/005; A23L 1/0052;  
A23L 1/0067; A23L 1/16; A23L 1/1641;  
A23L 1/217; A23V 2002/00

See application file for complete search history.

(56) **References Cited**

**U.S. PATENT DOCUMENTS**

D283,931 S 5/1986 Baum  
D290,412 S 6/1987 Downs

D302,051 S \* 7/1989 Contractor ..... D24/101  
D334,802 S 4/1993 Greer et al.  
D375,383 S \* 11/1996 Williams ..... D28/8.1  
D429,329 S 8/2000 Kobayashi  
(Continued)

**FOREIGN PATENT DOCUMENTS**

EM 000388459-0002 8/2005  
EM 002045849-0003 5/2012  
EM 002339879-0001 6/2013

**OTHER PUBLICATIONS**

Admin. “Buprenorphine (Temgesic) Experience Report.” Sixthseal.  
May 25, 2005. Web. Oct. 11, 2018. <<http://sixthseal.com/2005/05/buprenorphine-temgesic-experience-report/>>.\*

(Continued)

*Primary Examiner* — Katie Jane Stofko

(57) **CLAIM**

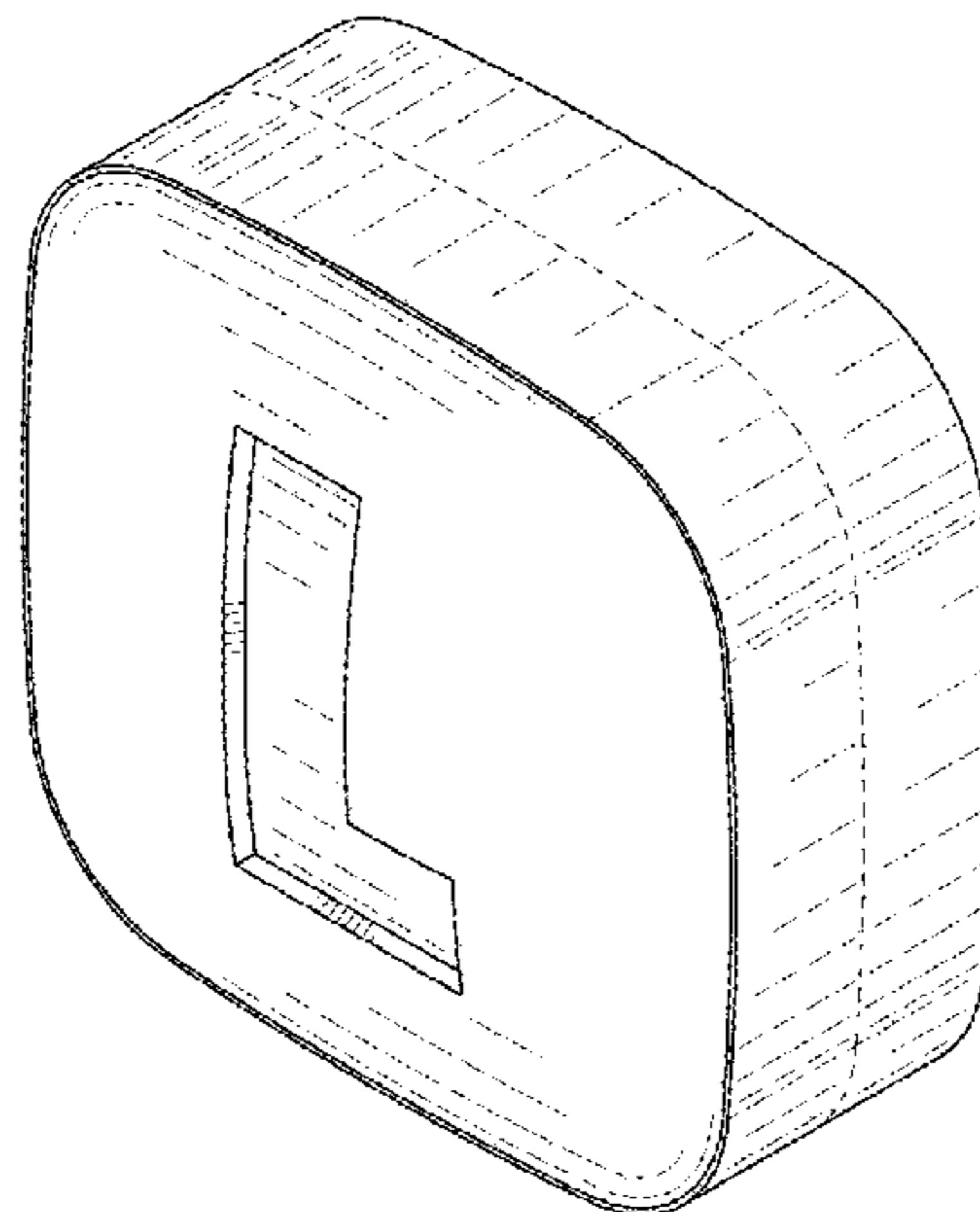
The ornamental design for a tablet, as shown and described.

**DESCRIPTION**

FIG. 1 is a top, front perspective view of a tablet of the present invention.  
FIG. 2 is a front view of the tablet depicted in FIG. 1.  
FIG. 3 is a back view of the tablet depicted in FIG. 1.  
FIG. 4 is a left side view of the tablet depicted in FIG. 1.  
FIG. 5 is a right side view of the tablet depicted in FIG. 1.  
FIG. 6 is a top view of the tablet depicted in FIG. 1.  
FIG. 7 is a bottom view of the tablet depicted in FIG. 1; and,  
FIG. 8 is a cross-sectional view taken along the line 8-8 in FIG. 2.

The broken lines in FIGS. 1 and 4-7 illustrate portions of the tablet that form no part of the claimed design.

**1 Claim, 3 Drawing Sheets**



(56)

**References Cited**

U.S. PATENT DOCUMENTS

D431,076	S	*	9/2000	Chen .....	D24/102
D445,955	S	*	7/2001	Neergaard .....	D24/101
D550,833	S	*	9/2007	Stawski .....	D24/101
D553,733	S		10/2007	Bergmeister et al.	
D588,776	S	*	3/2009	Kanamoto .....	D1/101
D594,178	S	*	6/2009	Damron .....	D1/114
D666,377	S	*	9/2012	Correa .....	D1/114
D740,407	S		10/2015	Kassouni	
D745,242	S	*	12/2015	Cotten .....	D1/114
D750,866	S	*	3/2016	Leder .....	D1/114
D755,467	S	*	5/2016	Pawlowski .....	D1/127
D768,283	S		10/2016	Evans, II	
D771,236	S	*	11/2016	Becker .....	D1/114
D821,683	S	*	7/2018	Srnak .....	D1/114

OTHER PUBLICATIONS

Manfred van Veghel. "Value Stories Created with the Agile Soap Factory." Oppidum. Apr. 14, 2016. Web. Oct. 11, 2018. <<http://www.oppidum.nl/value-stories-created-with-the-agile-soap-factory/>>.\*

Mintel database, Johnson & Johnson, "Listerine Cool Mint Pocketmist" dental ancillaries blister card, Mar. 2017.

Mintel database, Johnson & Johnson, Anticavity Mouthwash, "Listerine Total Care" mouthwash bottle, Apr. 2009.

\* cited by examiner

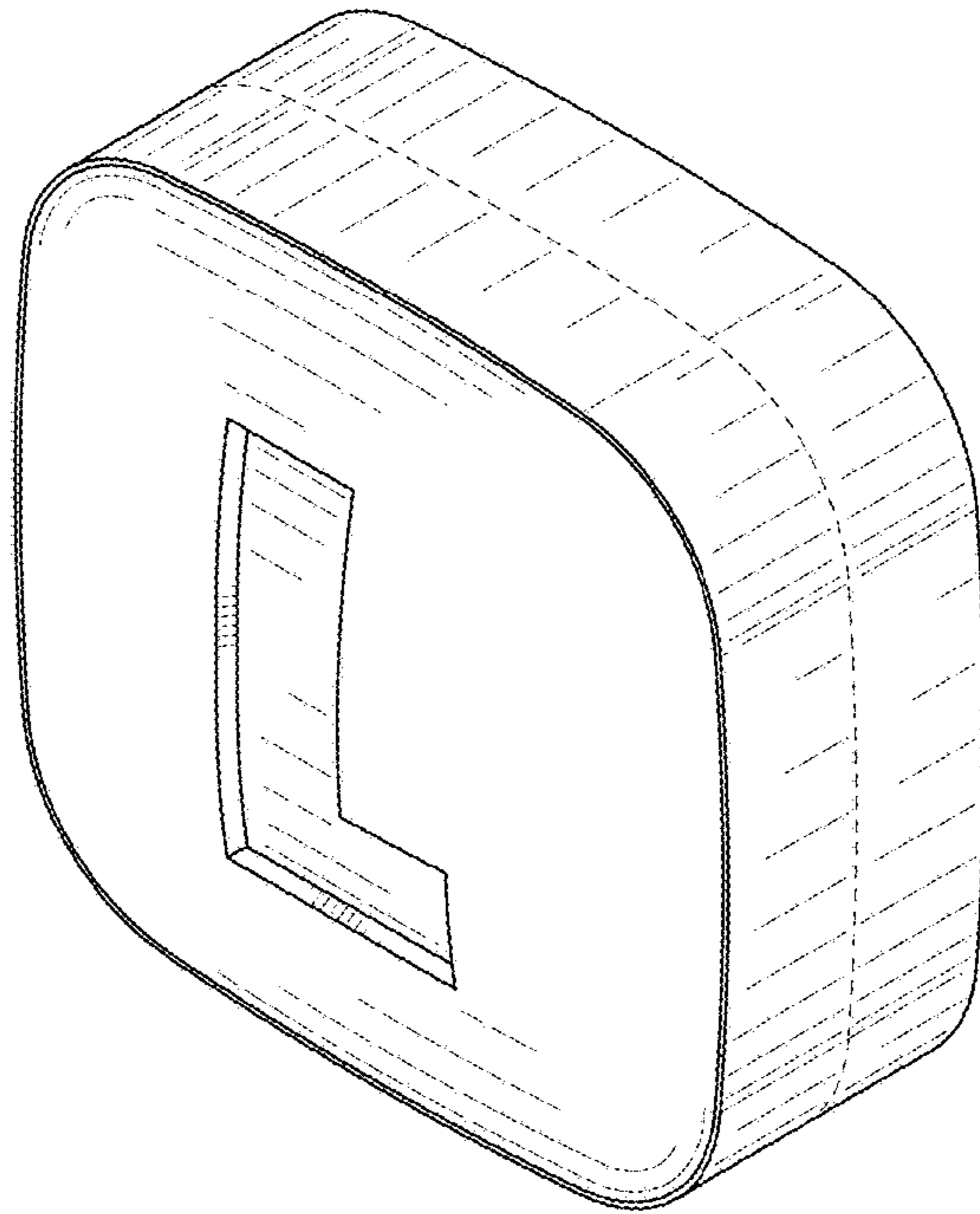


FIG. 1

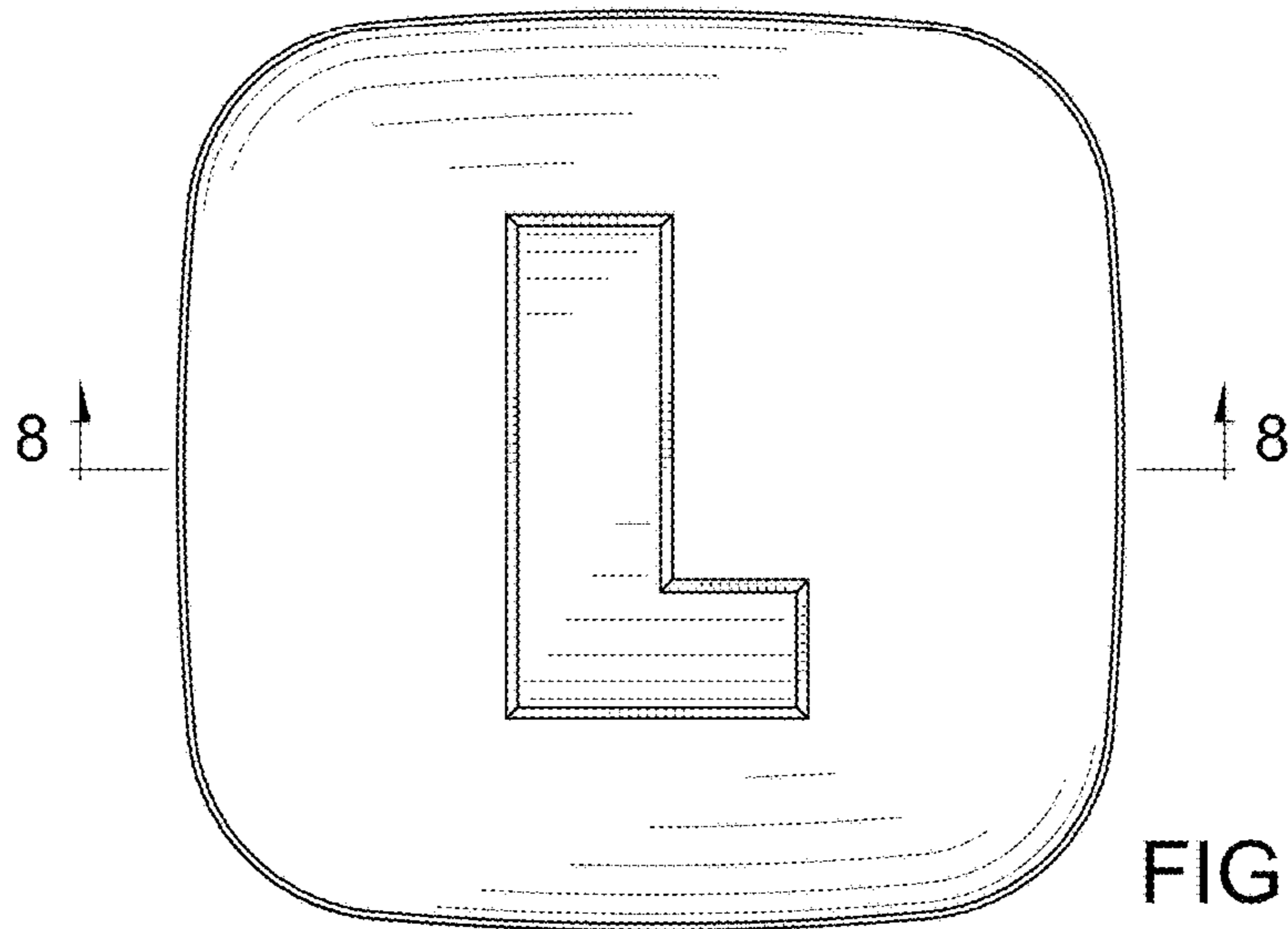


FIG. 2

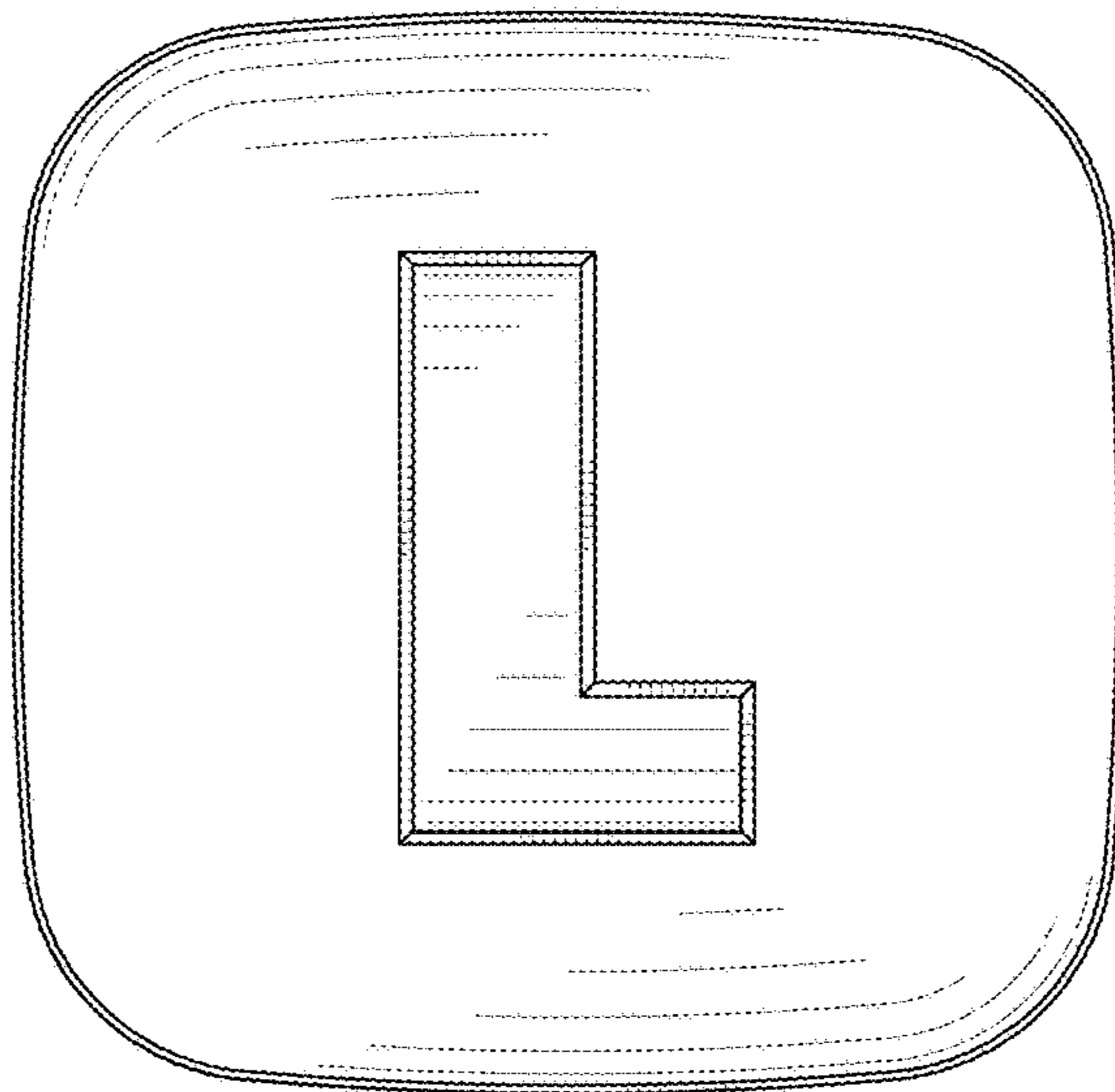


FIG. 3

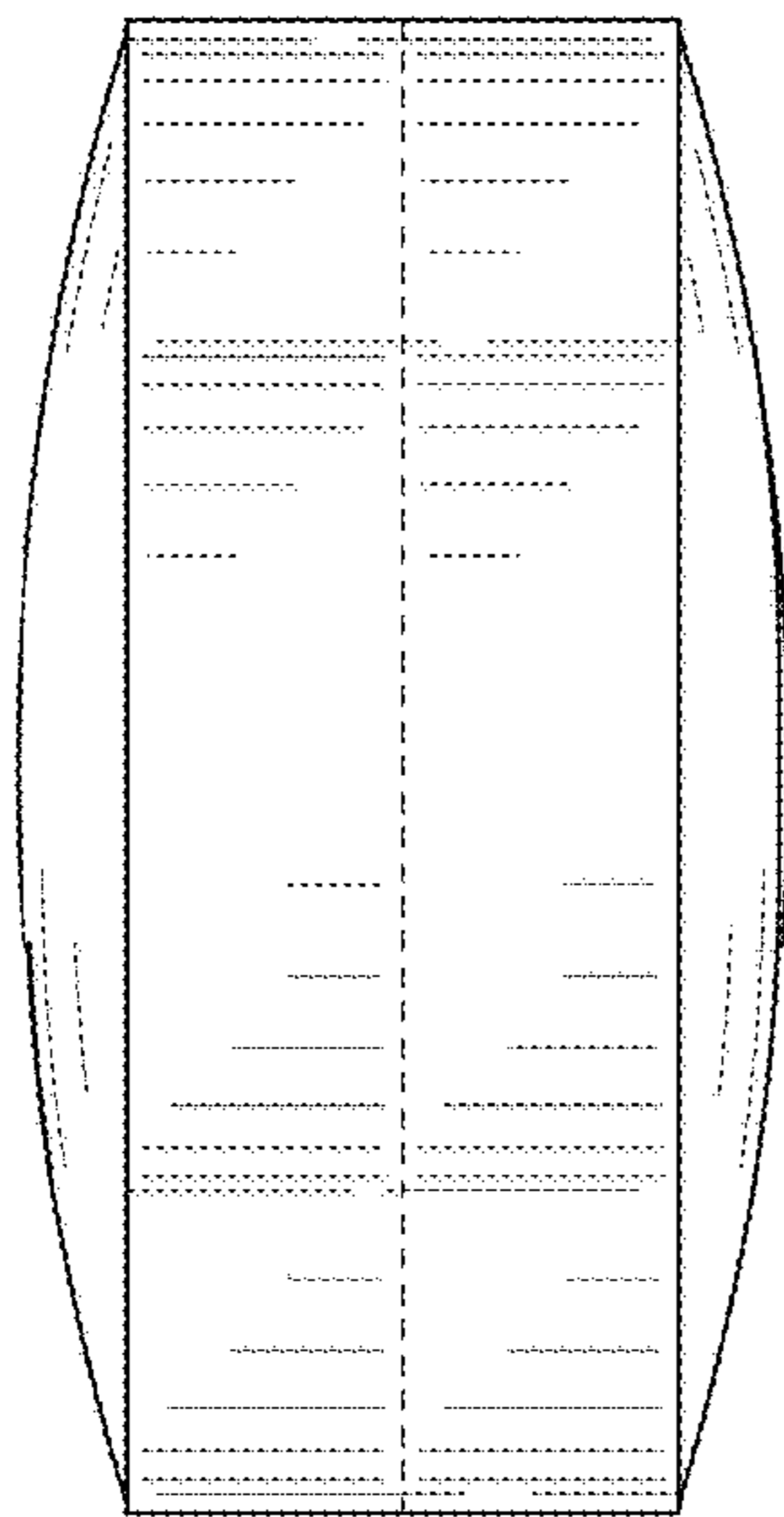


FIG. 4

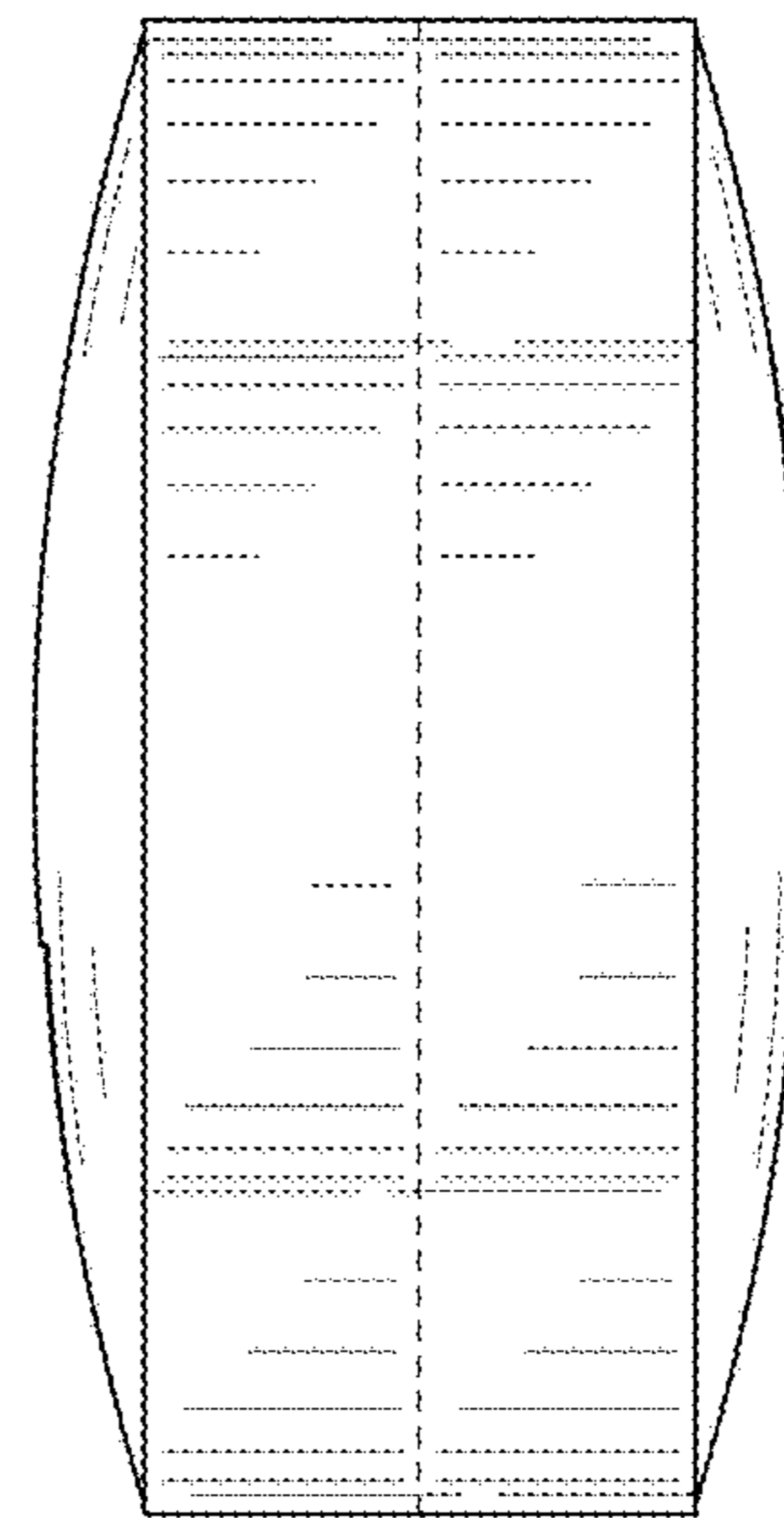


FIG. 5

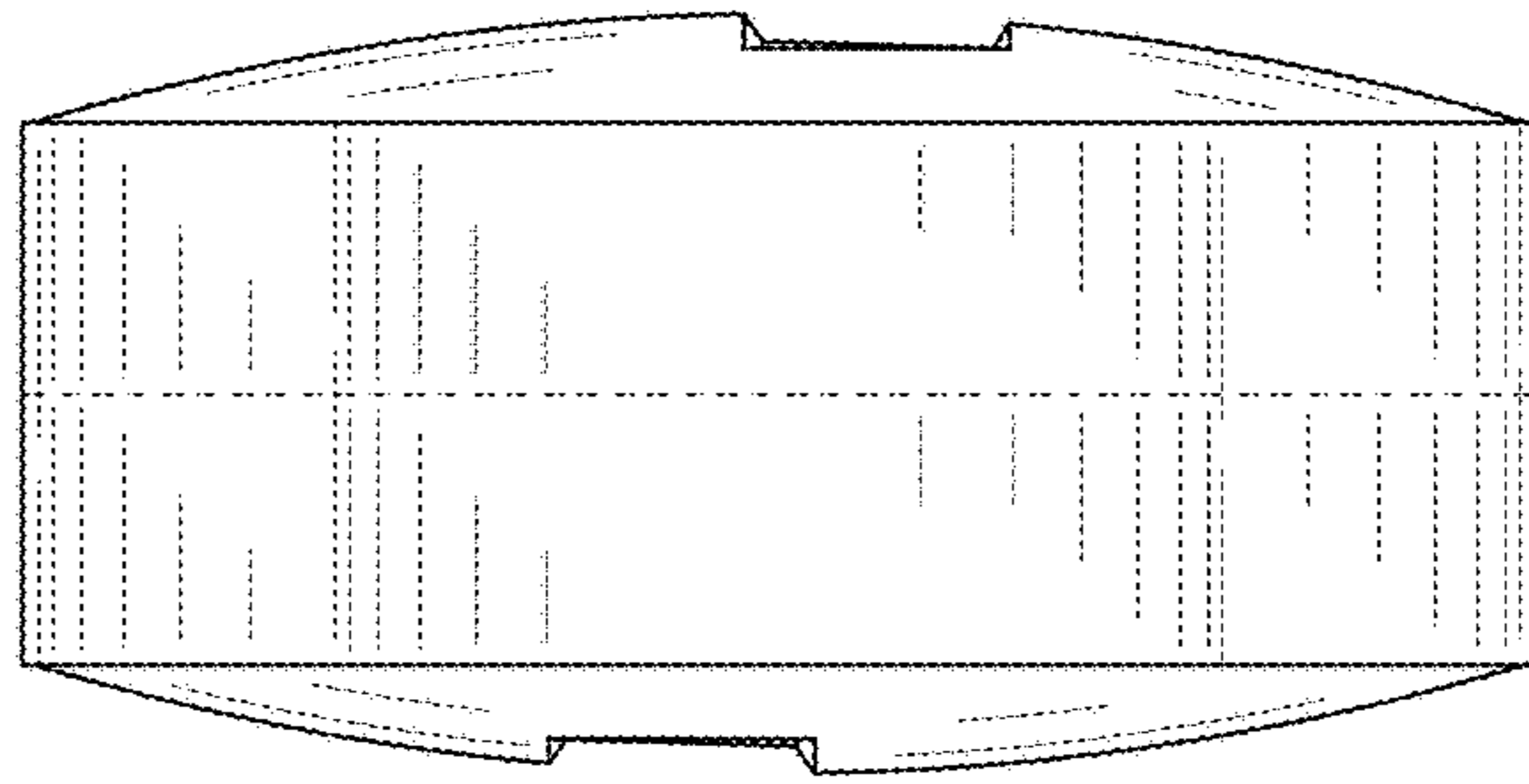


FIG. 6

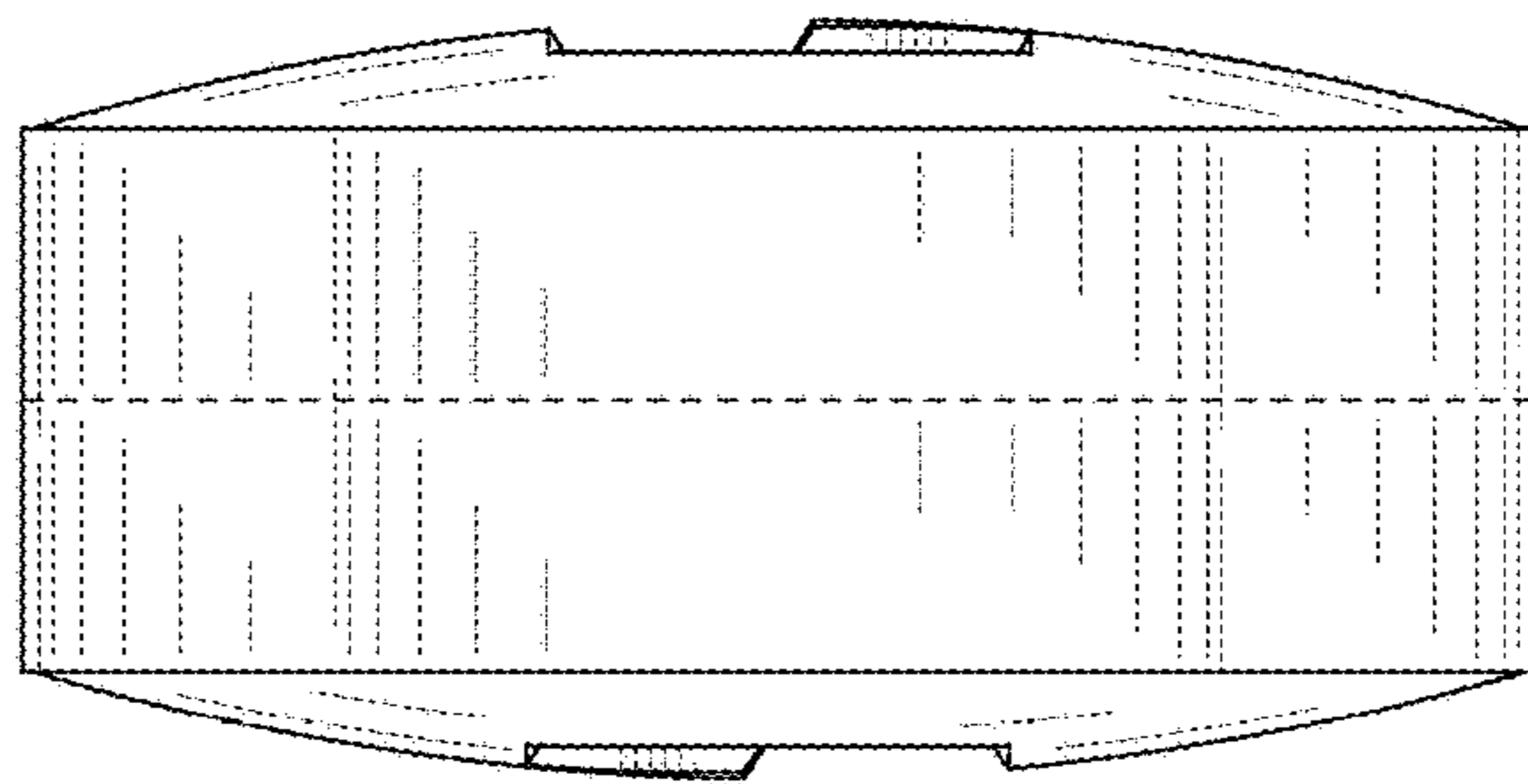


FIG. 7

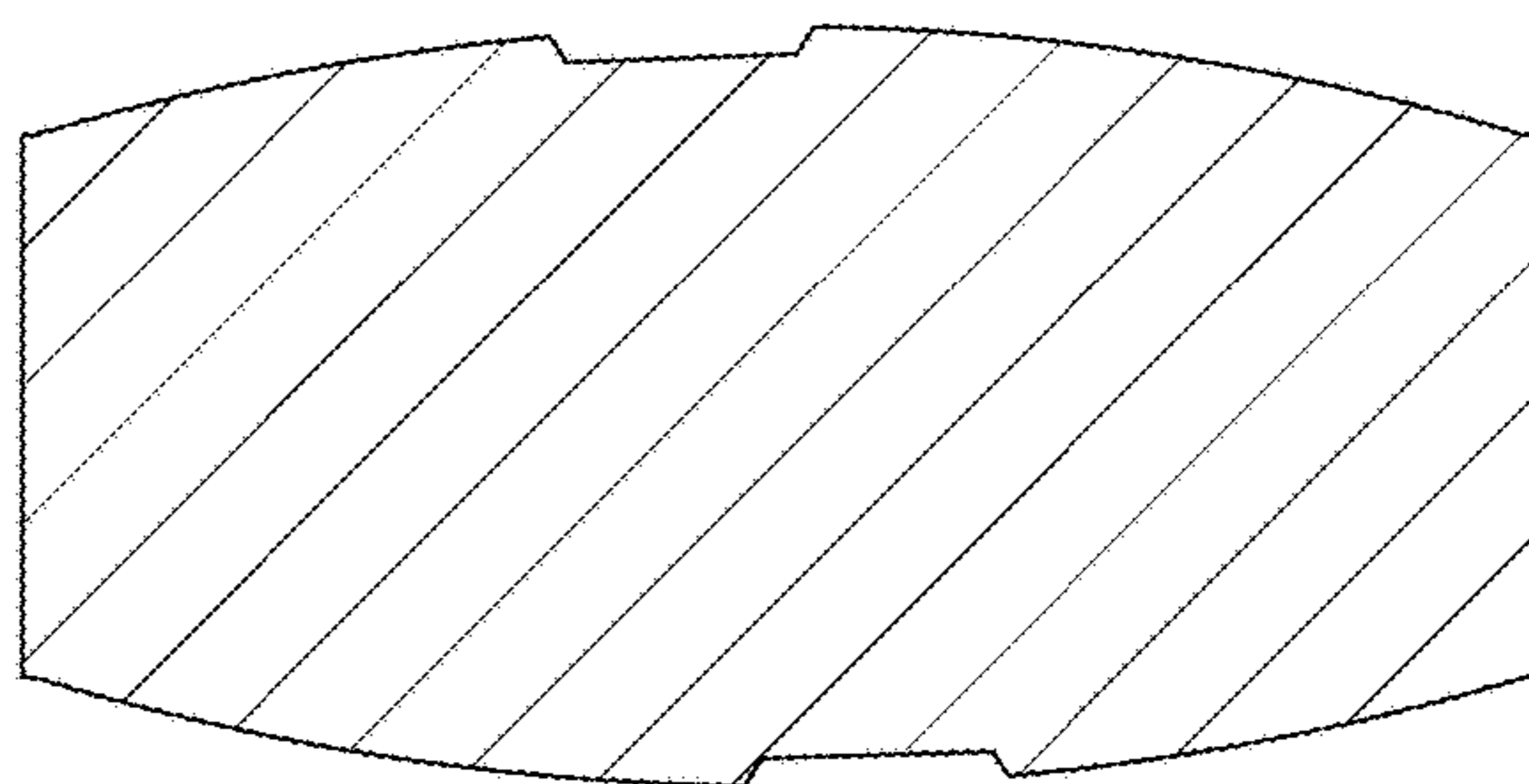


FIG. 8