



US00D837965S

(12) **United States Design Patent** (10) **Patent No.:** **US D837,965 S**  
**Lambertson** (45) **Date of Patent:** **\*\* Jan. 8, 2019**

(54) **MULTI-STAGE FILTER**  
(71) Applicant: **STREIVOR, INC.**, Livermore, CA (US)  
(72) Inventor: **Jeffrey S. Lambertson**, Livermore, CA (US)  
(73) Assignee: **Strevior, Inc.**, Livermore, CA (US)  
(\*\*) Term: **15 Years**

4,089,327 A 5/1978 Welsh  
4,186,727 A 2/1980 Kaufman et al.  
4,200,087 A 4/1980 Welsh  
4,350,504 A 9/1982 Diachuk  
4,610,705 A 9/1986 Sarnosky  
D300,457 S \* 3/1989 Miyake ..... D23/351  
4,902,316 A 2/1990 Giles et al.  
5,141,540 A 8/1992 Helmus  
5,449,469 A 9/1995 Burkland  
6,293,983 B1 9/2001 More  
6,712,869 B2 3/2004 Cheng et al.  
(Continued)

(21) Appl. No.: **29/570,945**  
(22) Filed: **Jul. 13, 2016**

**OTHER PUBLICATIONS**

“Range Hood Accessories.” premieregrease.com, accessed via Internet Archive Wayback Machine. Available Jan. 17, 2015. Accessed Jun. 6, 2018. Available online via URL: <<https://web.archive.org/web/20150117033656/http://www.premiergrease.com/range-hood-accessories.html>>.\*

(Continued)

**Related U.S. Application Data**

(63) Continuation of application No. 14/284,350, filed on May 21, 2014, now Pat. No. 9,732,966, which is a continuation-in-part of application No. 13/363,128, filed on Jan. 31, 2012.

*Primary Examiner* — Karen E Kearney  
*Assistant Examiner* — Christian P. McLean  
(74) *Attorney, Agent, or Firm* — Kilpatrick Townsend & Stockton LLP

(51) **LOC (11) Cl.** ..... **23-04**  
(52) **U.S. Cl.**  
USPC ..... **D23/386**

(58) **Field of Classification Search**  
USPC ..... D23/317, 330, 333, 335–340, 354, 364, D23/365, 370, 381, 392, 393, 395, 406, D23/412; 55/332, 337, 486; 126/299 D, 126/299 E  
CPC ... B01D 39/1615; B01D 50/002; F24C 15/20; F24C 15/2035

(57) **CLAIM**

The ornamental design for a multi-stage filter, as shown and described.

See application file for complete search history.

**DESCRIPTION**

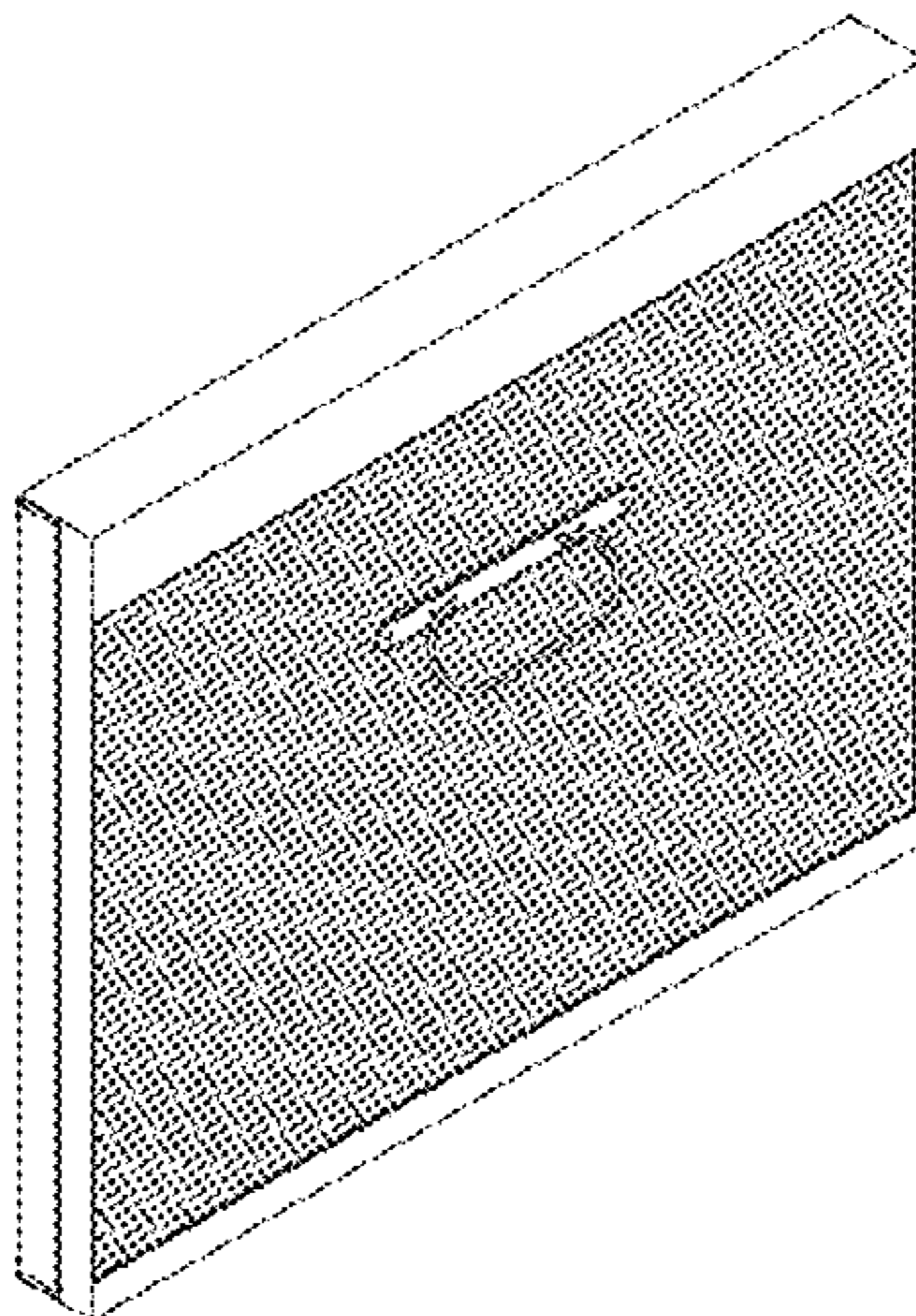
FIG. 1 is a front isometric perspective view of an embodiment of the multi-stage filter showing my new design; FIG. 2 is a back isometric perspective view thereof; FIG. 3 is a front profile view thereof; FIG. 4 is a back profile view thereof; FIG. 5 is a section view thereof, viewed along the line FIG. 5-FIG. 5 as shown in FIG. 3; and, FIG. 6 is a top plan view thereof.

(56) **References Cited**

**U.S. PATENT DOCUMENTS**

D179,839 S \* 3/1957 Dreyfuss ..... D23/354  
2,862,437 A 12/1958 Smith  
3,357,763 A 12/1967 Toper  
3,500,740 A 3/1970 Aubrey  
3,618,659 A 11/1971 Rawal  
D236,471 S \* 8/1975 Wahlstrom ..... D23/328

**1 Claim, 5 Drawing Sheets**



(56)

References Cited

U.S. PATENT DOCUMENTS

6,764,533 B2 7/2004 Lobiondo, Jr.  
 6,797,041 B2 9/2004 Brownell  
 6,833,022 B2 12/2004 Feisthammel et al.  
 7,041,159 B2 5/2006 Entezarian et al.  
 D538,418 S \* 3/2007 Pippel ..... D23/209  
 7,316,720 B2 1/2008 Cuppari  
 D581,510 S \* 11/2008 Albano ..... D23/388  
 7,581,539 B2 9/2009 Aviles  
 D614,276 S \* 4/2010 Harris ..... D23/364  
 7,785,382 B2 8/2010 Morton  
 8,021,455 B2 \* 9/2011 Adamek ..... B01D 39/163  
 55/486  
 8,182,588 B2 5/2012 Morton  
 8,277,530 B2 10/2012 Alexander et al.  
 D697,190 S \* 1/2014 Ainley ..... D23/323  
 8,915,983 B2 12/2014 Broßmann  
 D726,892 S \* 4/2015 Chan ..... D23/333  
 D767,748 S \* 9/2016 Nakai ..... D23/388  
 D773,626 S \* 12/2016 Nishiguchi ..... 165/121  
 9,732,966 B2 \* 8/2017 Lambertson ..... F24C 15/2035  
 D800,893 S \* 10/2017 Krob, Jr. .... D23/386  
 D815,725 S \* 4/2018 Burkhart ..... D23/393  
 2012/0192534 A1 8/2012 Lambertson  
 2013/0007998 A1 1/2013 Alexander et al.  
 2014/0250844 A1 \* 9/2014 Lambertson ..... F24C 15/2035  
 55/385.2

2015/0241070 A1\* 8/2015 Lin ..... F24C 15/2035  
 126/299 D  
 2015/0328566 A1\* 11/2015 Oosthuizen ..... B01D 45/04  
 210/322  
 2016/0271553 A1\* 9/2016 Salpietra ..... B01D 50/002

OTHER PUBLICATIONS

“ExactAire Baffle Filters.” streivor.com, accessed via Internet Archive Wayback Machine. Available Oct. 23, 2016. Accessed Jun. 6, 2018. Available online via URL: <<https://web.archive.org/web/20161023020551/https://www.streivor.com/ventilation/grease-filters/extractaire-baffle-filters/>>.\*  
 Non-Final Office Action dated Nov. 23, 2015 in U.S. Appl. No. 14/284,350, 10 pages.  
 Non-Final Office Action dated Apr. 7, 2016, in U.S. Appl. No. 14/284,350, 24 pages.  
 Non-Final Office Action dated Aug. 18, 2016, in U.S. Appl. No. 14/284,350, 16 pages.  
 PCT/US2015/032018 “International Search Report and Written Opinion” dated Aug. 17, 2015 10 pages.  
[www.captiveaire.com/CatalogContent/Hoods/Accessories/captrate/index.asp](http://www.captiveaire.com/CatalogContent/Hoods/Accessories/captrate/index.asp) retrieved on Jan. 20, 2011.  
 Notice of Allowance received in U.S. Appl. No. 14/284,350, dated Apr. 6, 2017, 9 pages.

\* cited by examiner

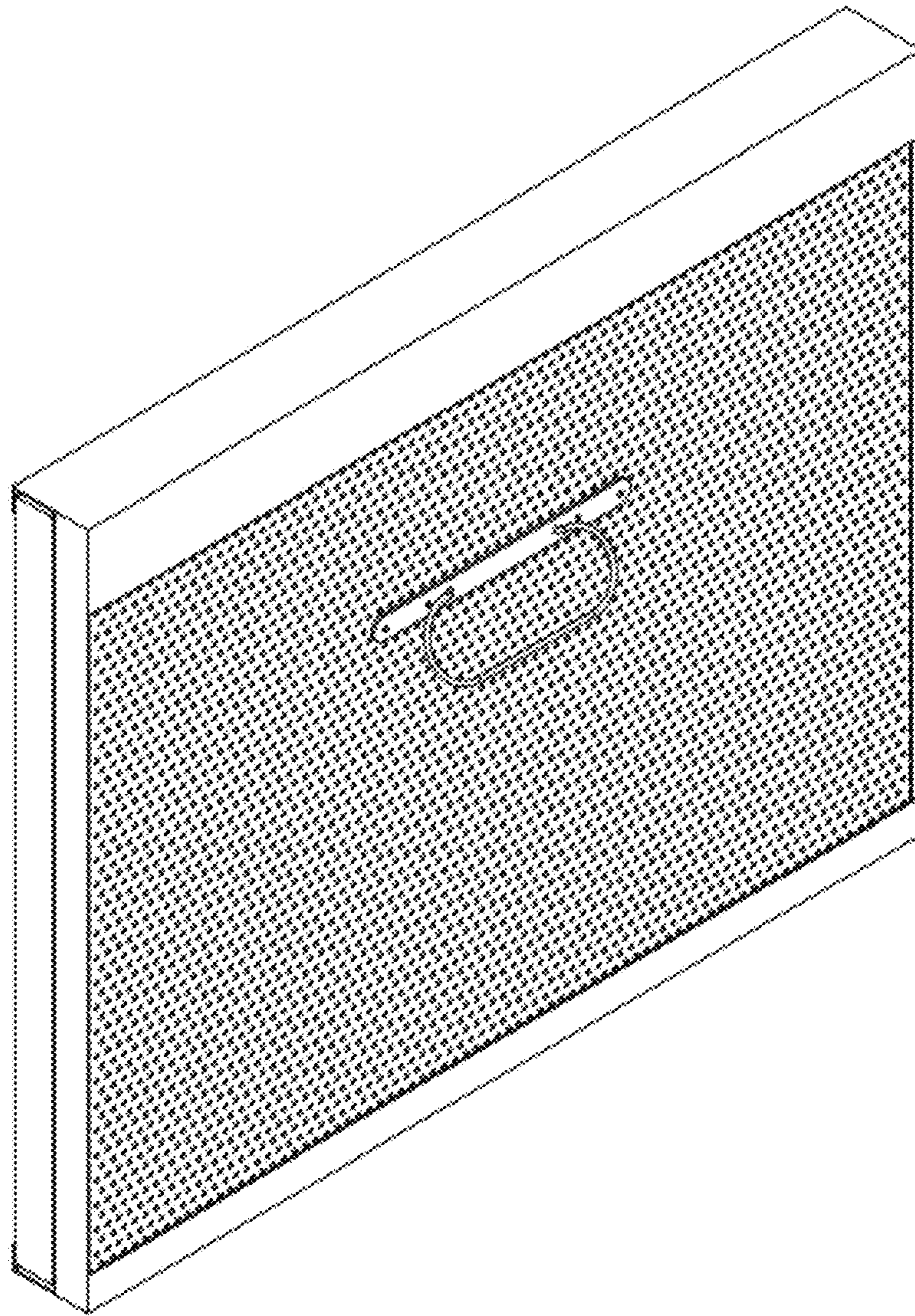


FIG. 1

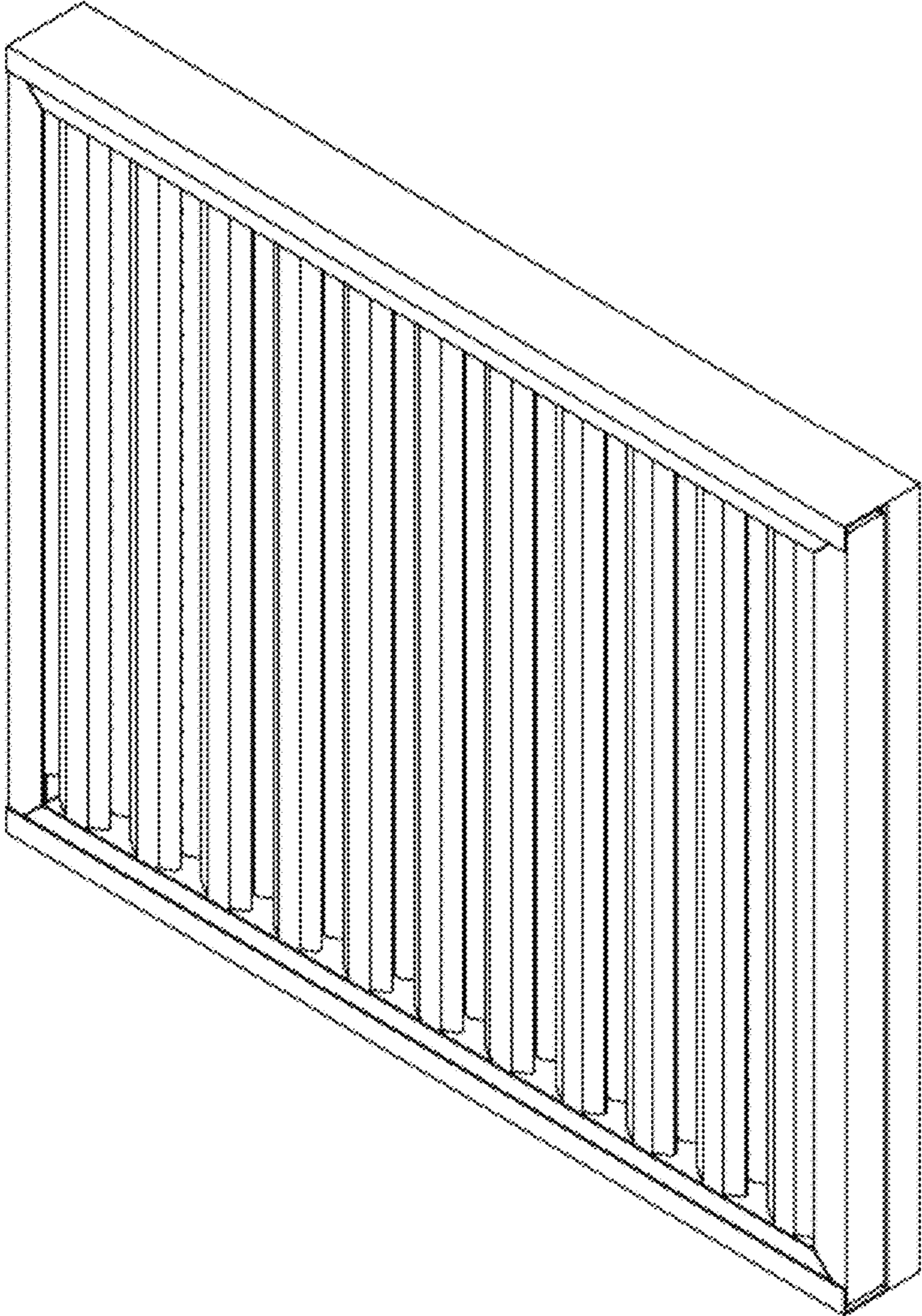


FIG. 2

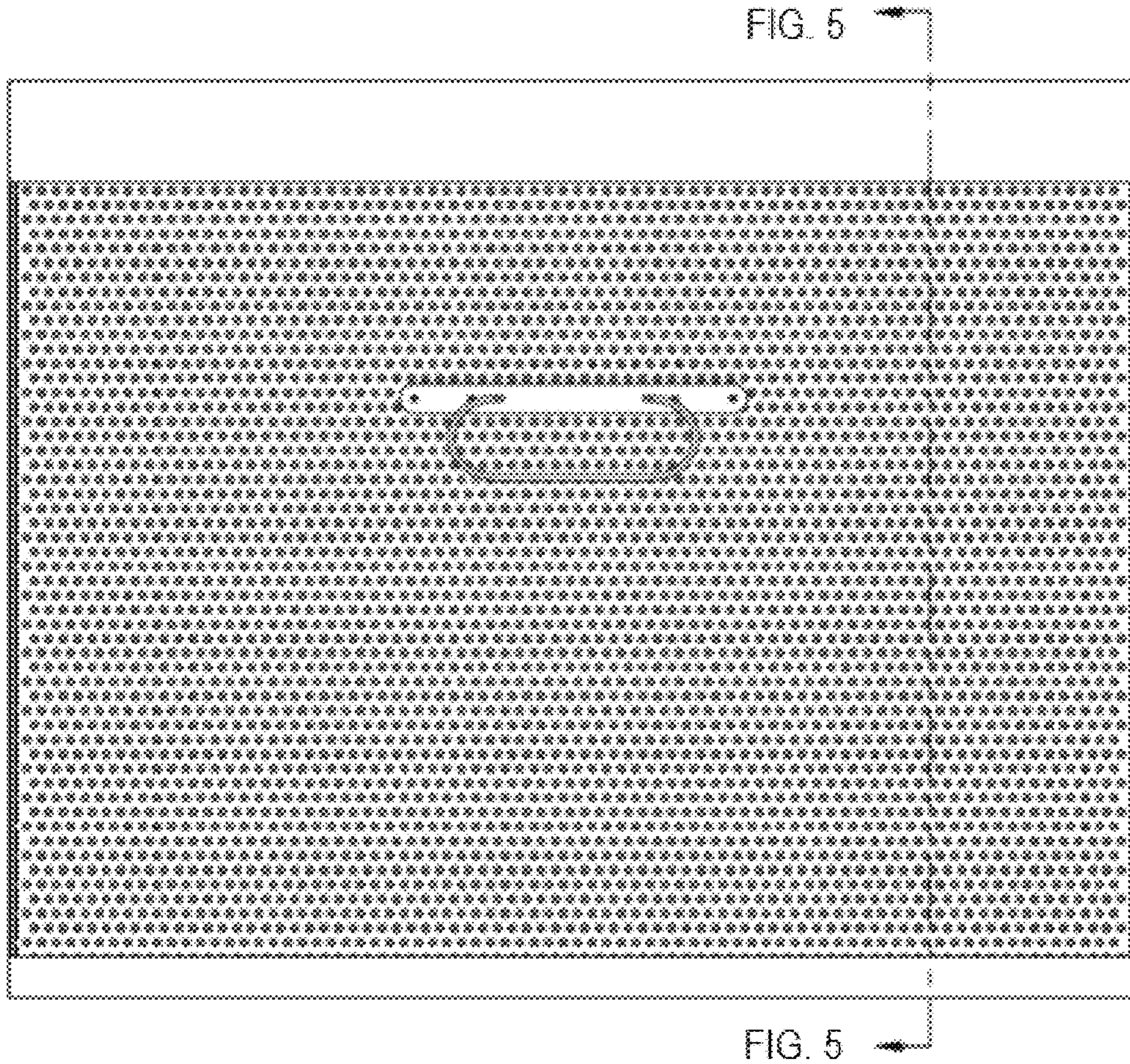


FIG. 3

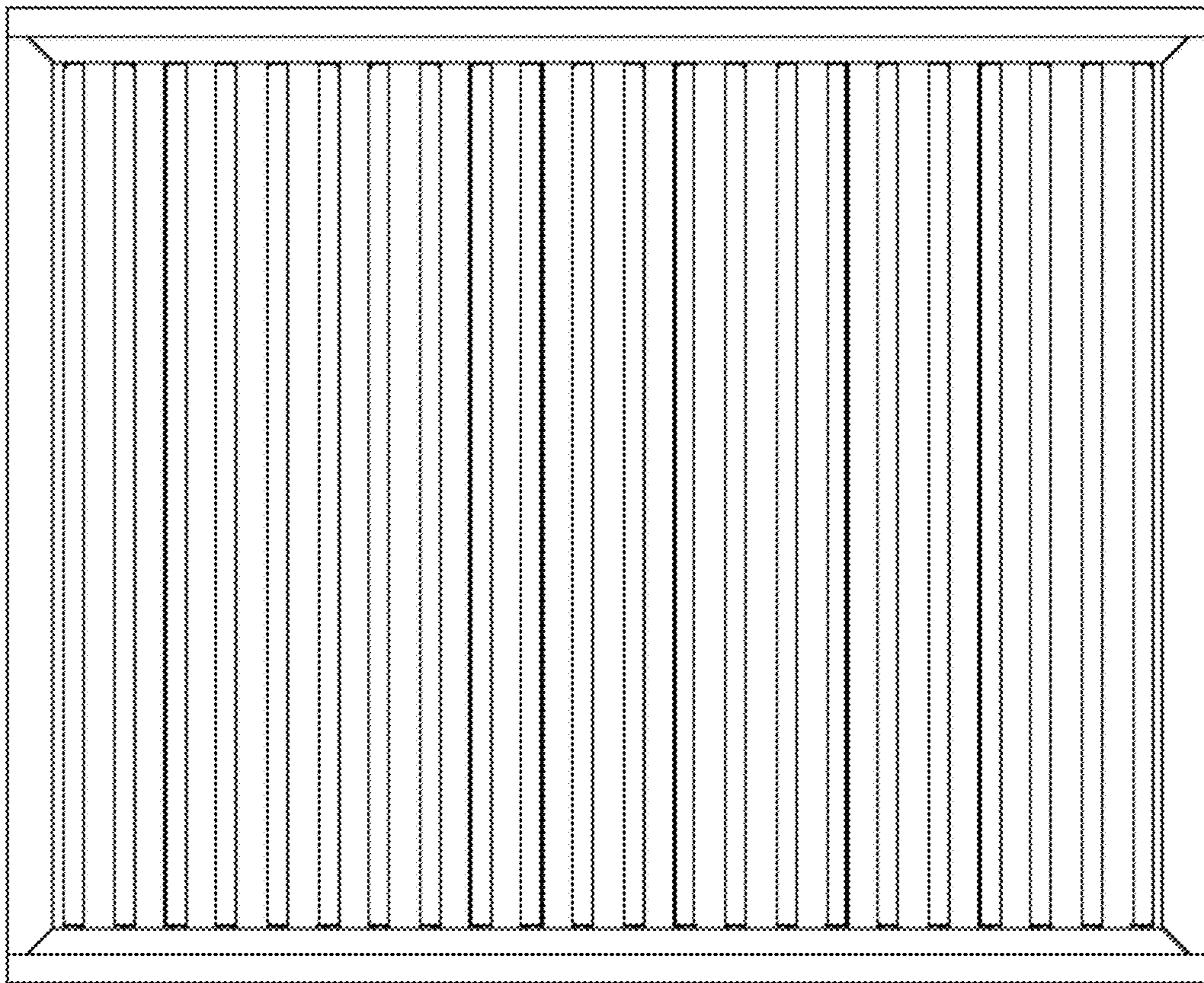


FIG. 4

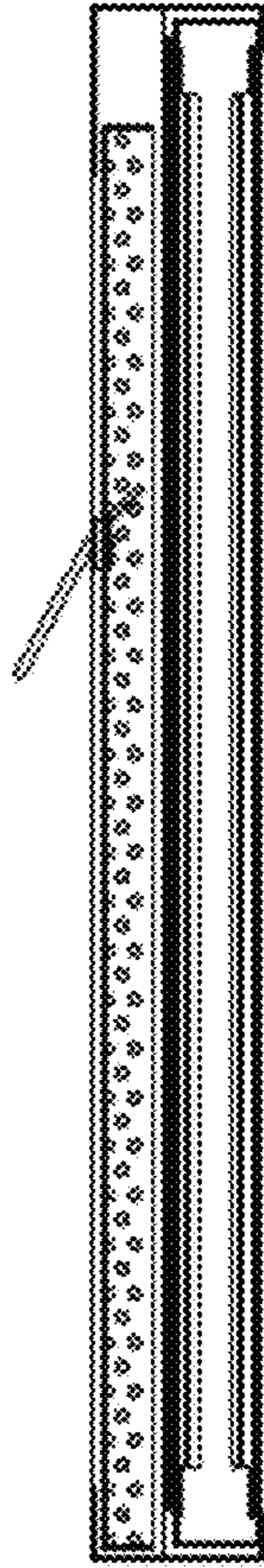


FIG. 5

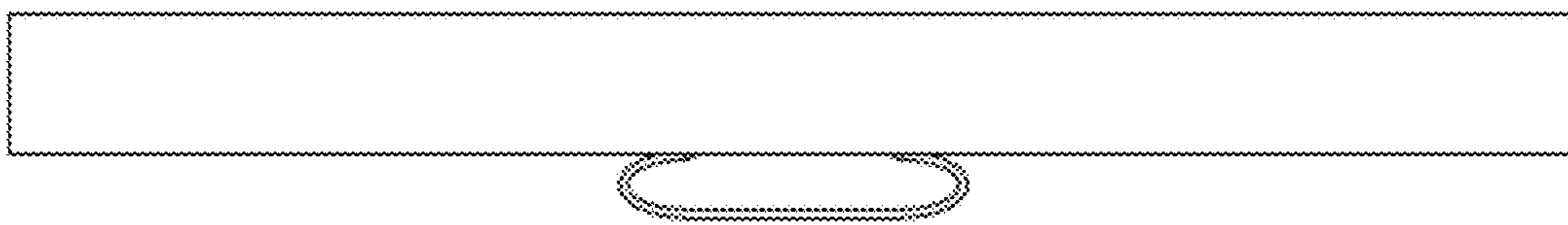


FIG. 6