



US00D837964S

(12) **United States Design Patent**
Cui

(10) **Patent No.:** **US D837,964 S**

(45) **Date of Patent:** **** Jan. 8, 2019**

- (54) **AIR MOVER**
- (71) Applicant: **Foshan Naibao Electric Co., Ltd.**,
Xiqiao Town (CN)
- (72) Inventor: **Jiayao Cui**, Guangdong (CN)
- (73) Assignee: **Foshan Naibao Electric Co., Ltd.**
(CN)
- (**) Term: **15 Years**
- (21) Appl. No.: **29/562,575**
- (22) Filed: **Apr. 27, 2016**
- (30) **Foreign Application Priority Data**
Jan. 18, 2016 (CN) 2016 3 0016972
- (51) **LOC (11) Cl.** **23-04**
- (52) **U.S. Cl.**
USPC **D23/383**
- (58) **Field of Classification Search**
USPC D23/370–383, 411–414, 364, 365;
D32/15
CPC A61L 9/12; A61L 9/04; A61L 9/122
See application file for complete search history.

(56) **References Cited**

U.S. PATENT DOCUMENTS

- 5,174,048 A * 12/1992 Shero F26B 21/001
34/444
- D340,326 S * 10/1993 Genovese D32/15
- 5,265,895 A * 11/1993 Barrett A47L 5/22
280/47.24

- 5,555,643 A * 9/1996 Guasch E04B 1/7092
15/405
- D517,677 S * 3/2006 Bartholmey D23/383
- D530,002 S * 10/2006 Ching D23/317
- D594,962 S * 6/2009 Lewis D23/383
- D594,965 S * 6/2009 Bucher D23/411
- D596,283 S * 7/2009 Martinez D23/383
- D698,433 S * 1/2014 Tomasiak D23/383
- D704,908 S * 5/2014 Cui D32/15
- D810,269 S * 2/2018 Sanders D23/383
- 2016/0175472 A1 * 6/2016 Tan A61L 9/122
422/4

* cited by examiner

Primary Examiner — Janice Hallmark

(74) *Attorney, Agent, or Firm* — Lerner, David,
Littenberg, Krumholz & Mentlik, LLP

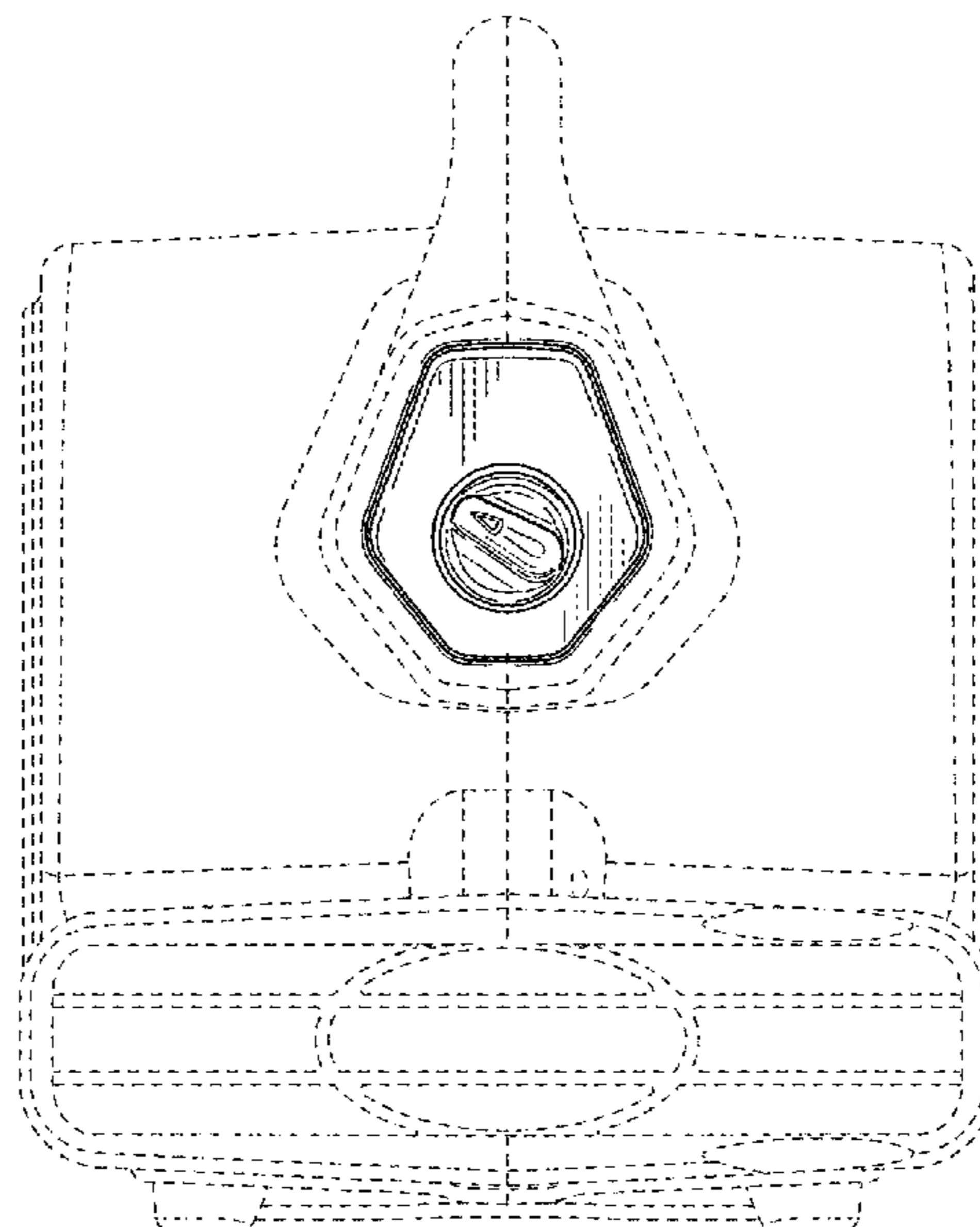
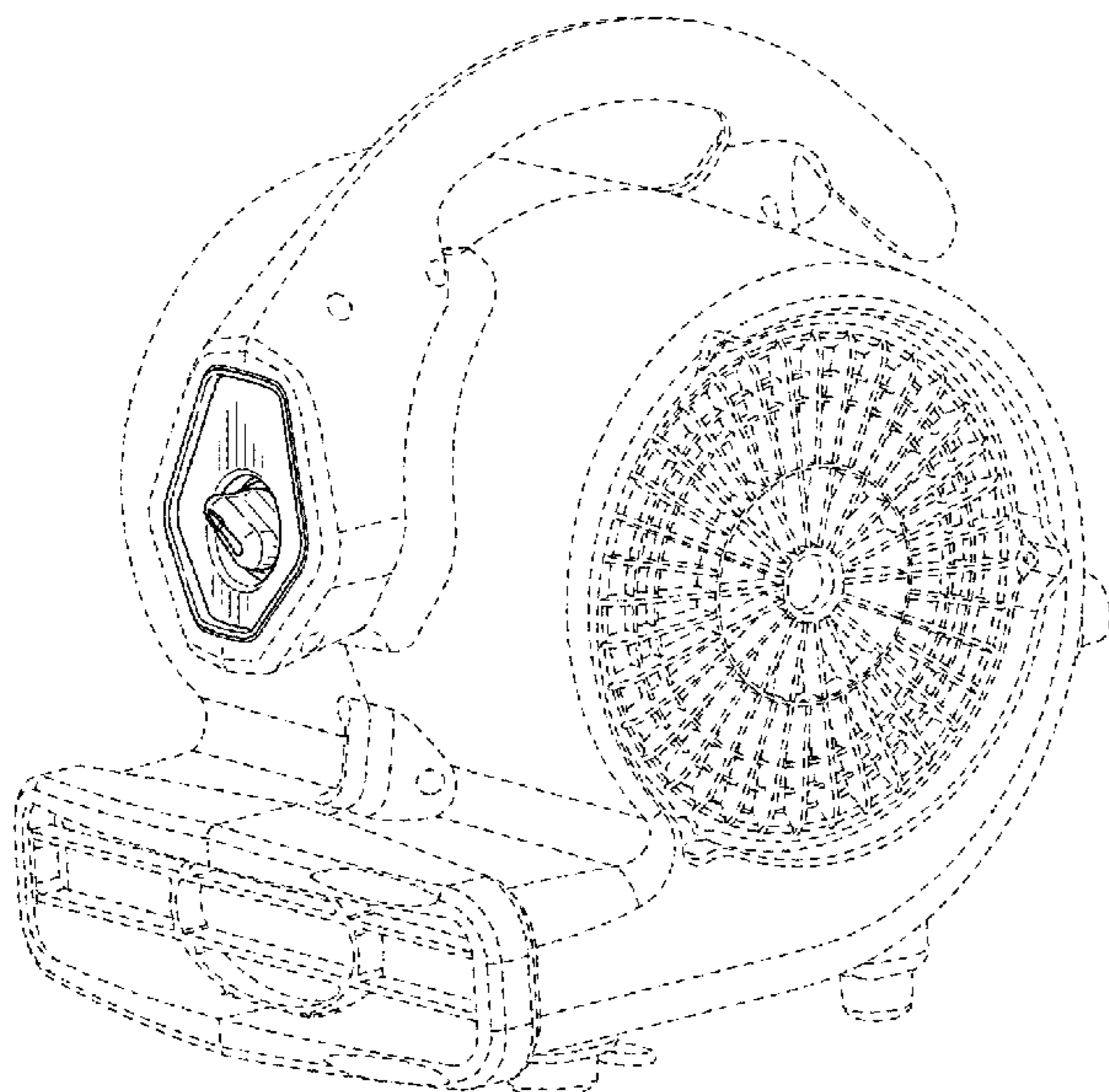
(57) **CLAIM**

The ornamental design for an air mover, as shown and described.

DESCRIPTION

FIG. 1 is a front perspective view of an air mover, according to my design;
 FIG. 2 is a front view thereof;
 FIG. 3 is a back view thereof;
 FIG. 4 is a right-side view thereof;
 FIG. 5 is a left-side view thereof;
 FIG. 6 is a top view thereof; and,
 FIG. 7 is a bottom view thereof.
 The broken lines shown in the drawings represent portions of the Air Mover that form no part of the claimed design.

1 Claim, 4 Drawing Sheets



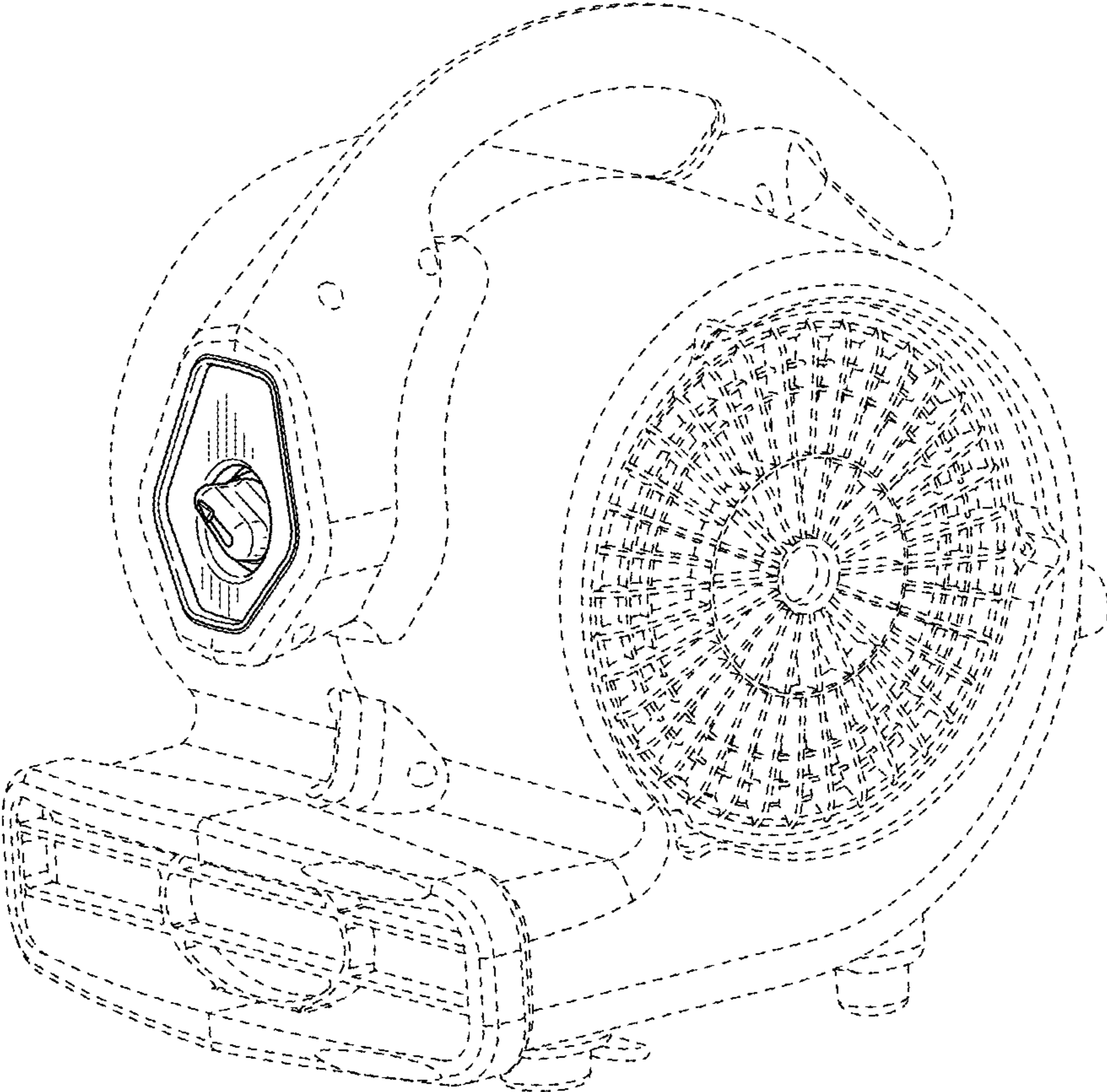


FIG. 1

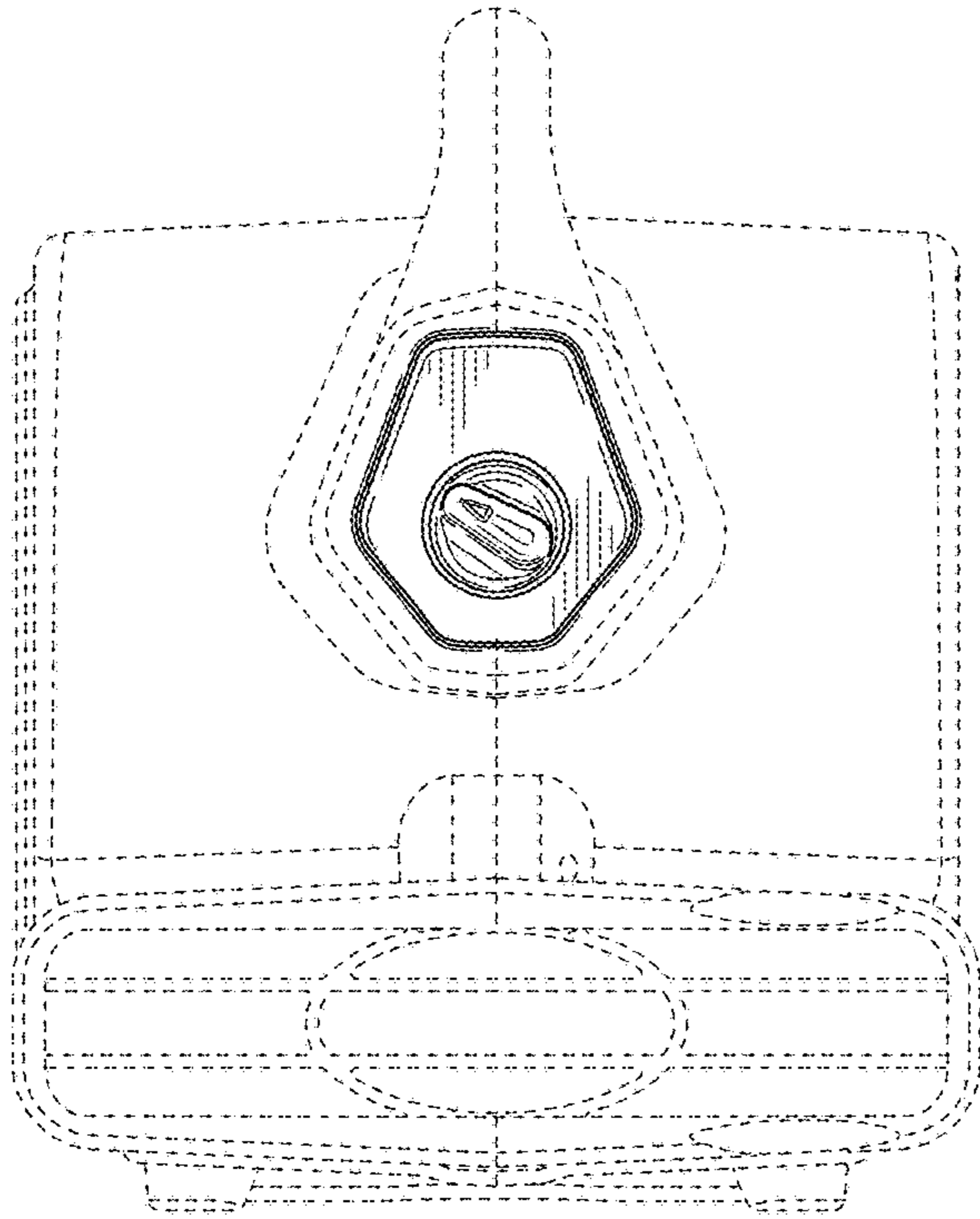


FIG. 2

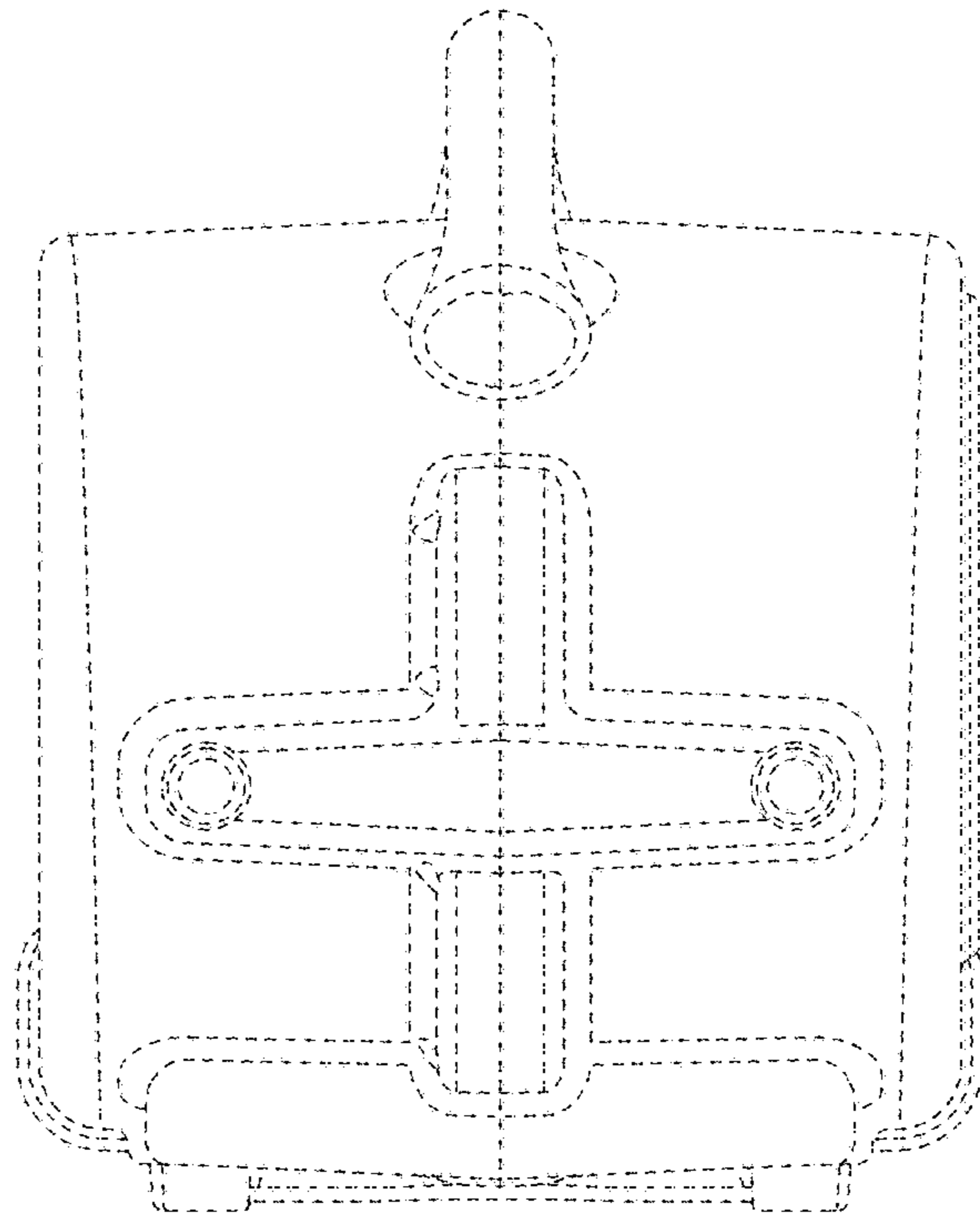


FIG. 3

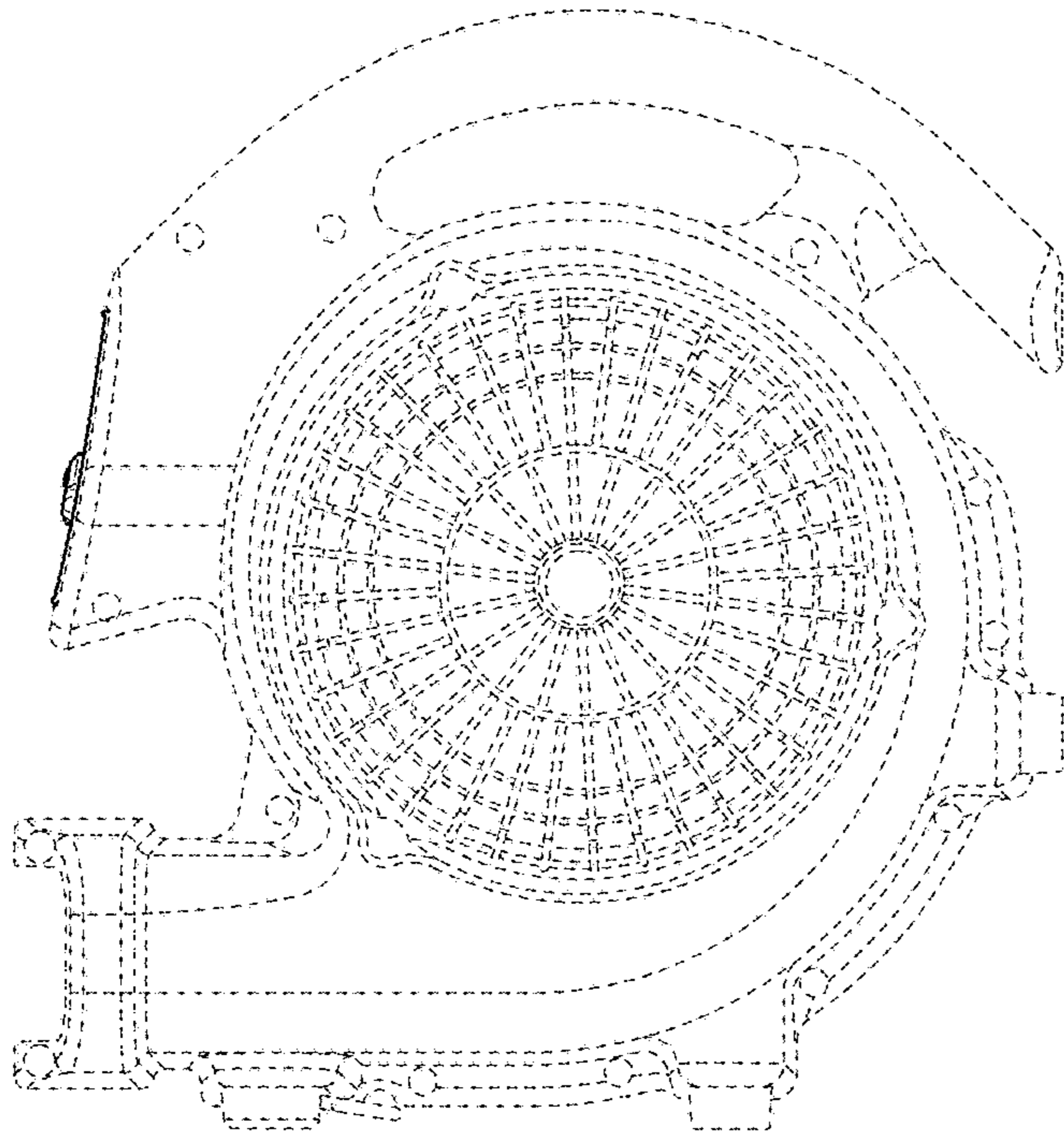


FIG. 4

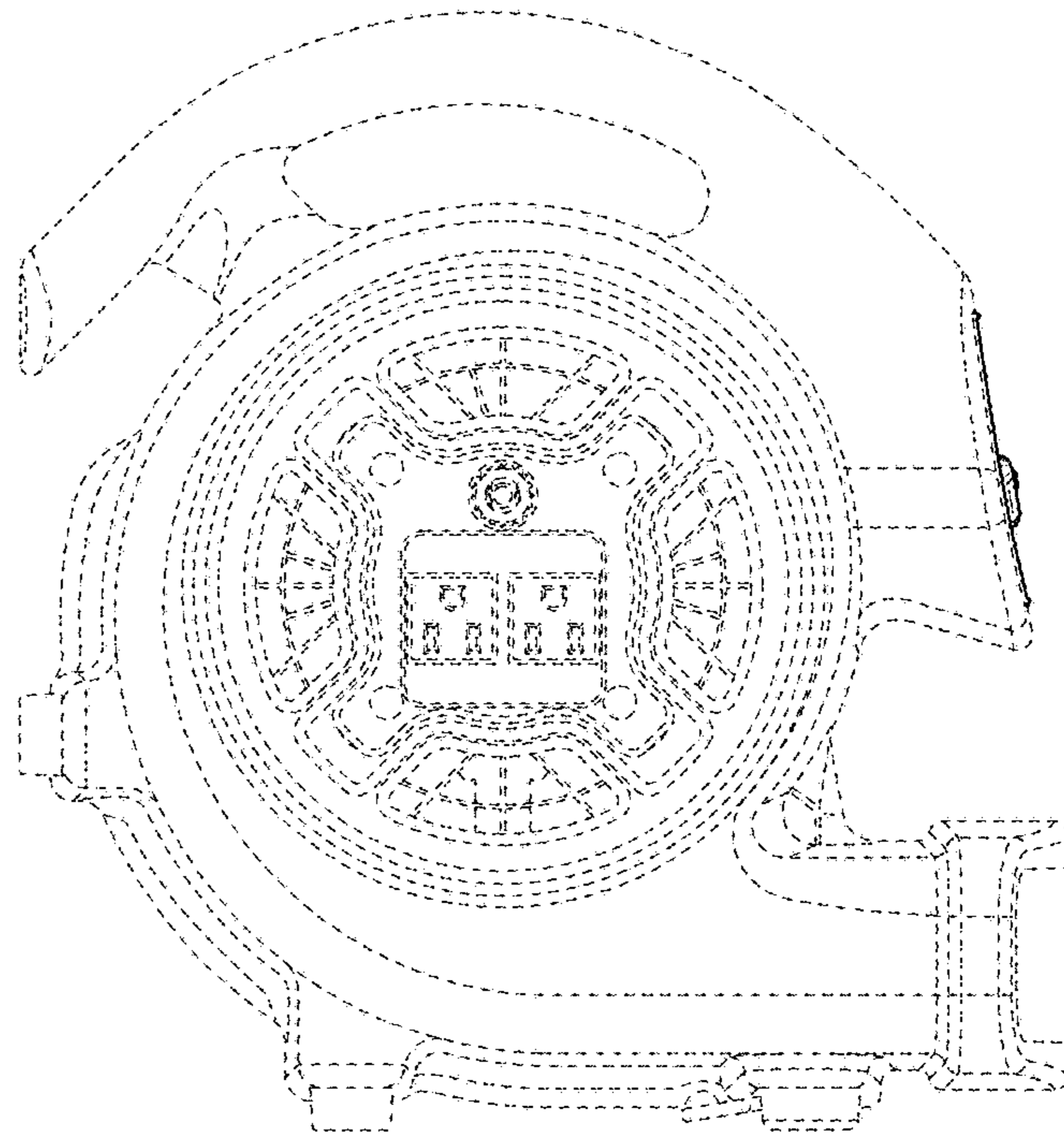


FIG. 5

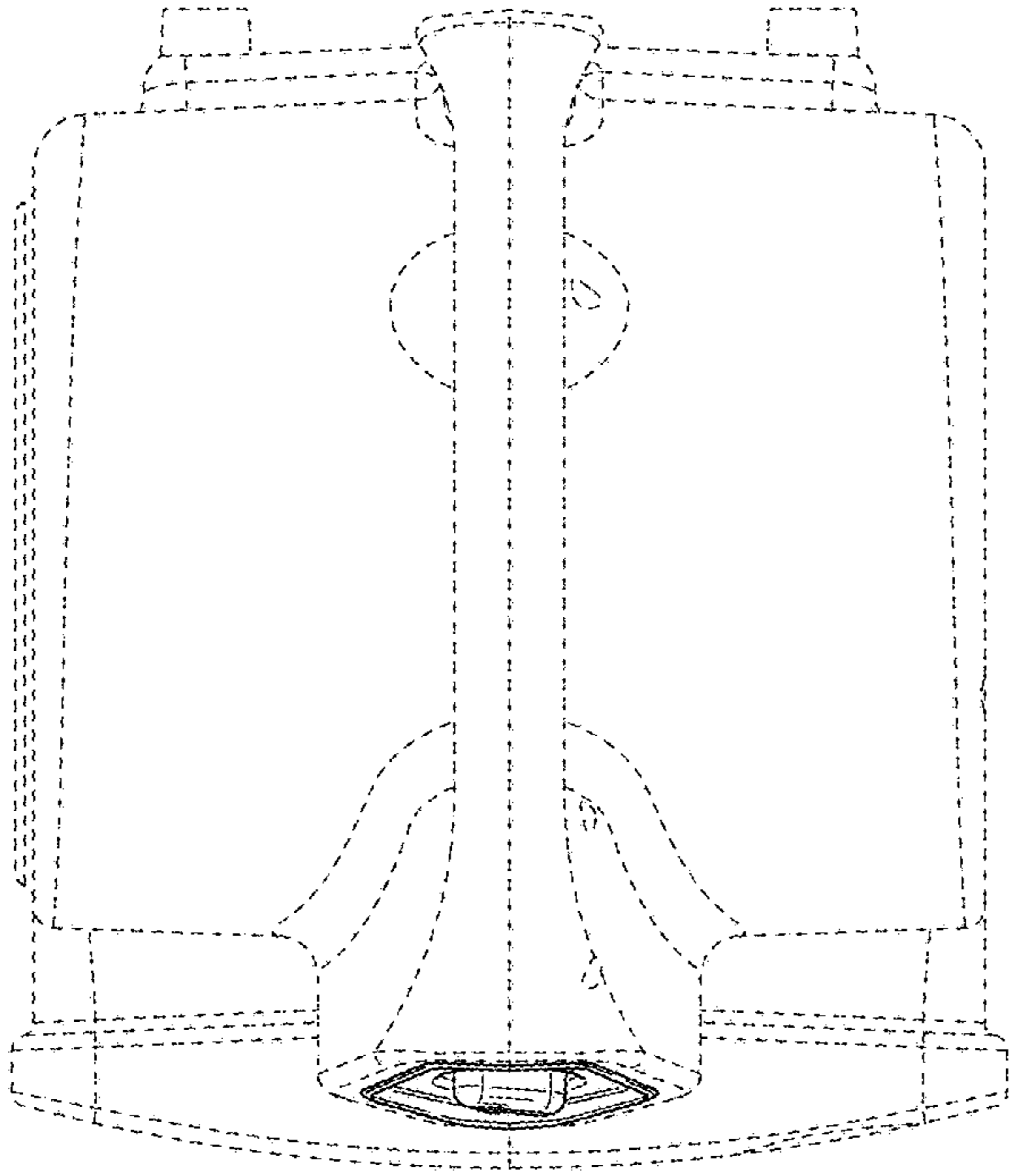


FIG. 6

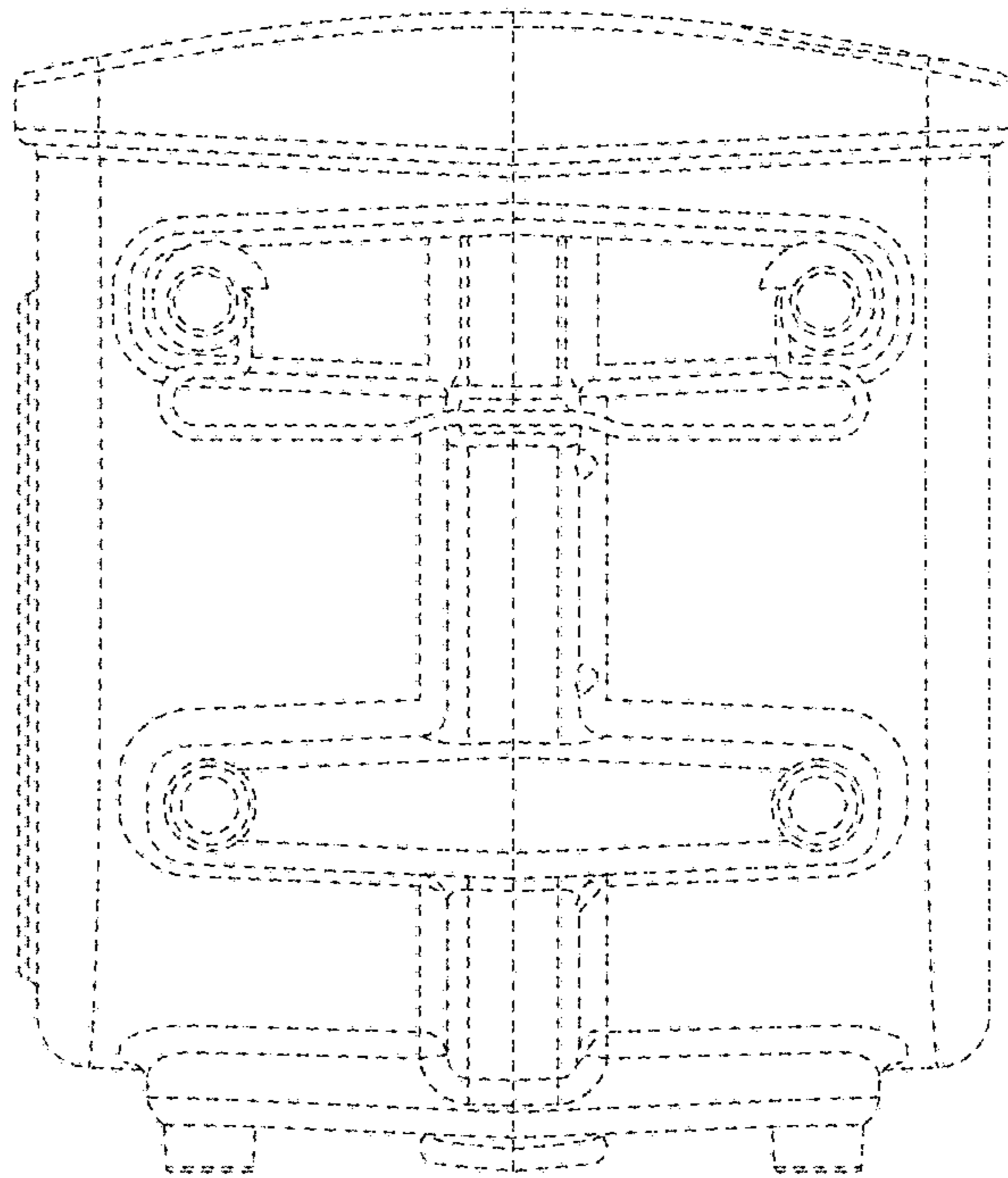


FIG. 7