



US00D837963S

(12) **United States Design Patent**  
**Xu**

(10) **Patent No.:** **US D837,963 S**  
(45) **Date of Patent:** **\*\* Jan. 8, 2019**

- (54) **FAN**
- (71) Applicant: **Wenlong Xu**, Shenzhen (CN)
- (72) Inventor: **Wenlong Xu**, Shenzhen (CN)
- (73) Assignee: **Wenlong Xu**, Shenzhen (CN)
- (\*\*) Term: **15 Years**
- (21) Appl. No.: **29/611,288**
- (22) Filed: **Jul. 20, 2017**
- (30) **Foreign Application Priority Data**

Jan. 21, 2017 (CN) ..... 2017 3 0024792

- (51) **LOC (11) Cl.** ..... **23-04**
- (52) **U.S. Cl.**  
USPC ..... **D23/382**
- (58) **Field of Classification Search**  
USPC ..... D23/370-379, 381-385, 411-414, 360,  
D23/314, 335, 328, 332  
CPC . F04D 5/00; F04D 27/00; F04D 25/10; F04D  
29/64; F04D 19/00; F24H 3/04; B65D  
71/00  
See application file for complete search history.

(56) **References Cited**

**U.S. PATENT DOCUMENTS**

- D309,182 S \* 7/1990 Hsu ..... 416/63
- 5,667,732 A \* 9/1997 Lederer ..... B01F 3/04035  
239/222.11
- 6,378,845 B1 \* 4/2002 Hsu ..... F24F 6/00  
239/222.11

- D510,994 S \* 10/2005 Indio Da Costa ..... D23/382
- 8,205,806 B2 \* 6/2012 Mak ..... F04D 25/084  
239/215
- D807,487 S \* 1/2018 Delerue ..... D23/382
- D824,012 S \* 7/2018 Xu ..... D23/382
- D825,048 S \* 8/2018 Breit ..... D23/382
- 2016/0356279 A1 \* 12/2016 Xu ..... F04D 25/084

\* cited by examiner

*Primary Examiner* — Janice Hallmark

(74) *Attorney, Agent, or Firm* — Wood Herron & Evans LLP

(57) **CLAIM**

The ornamental design for a fan, as shown and described.

**DESCRIPTION**

FIG. 1 is a front right perspective view of a fan in a first configuration in accordance with one embodiment of the present invention, the first configuration being known for storage.

FIG. 2 is a rear left perspective view of the fan of FIG. 1.

FIG. 3 is a front elevational view of the fan of FIG. 1.

FIG. 4 is a right side elevational view of the fan of FIG. 1.

FIG. 5 is a rear elevational view of the fan of FIG. 1.

FIG. 6 is a left side elevational view of the fan of FIG. 1.

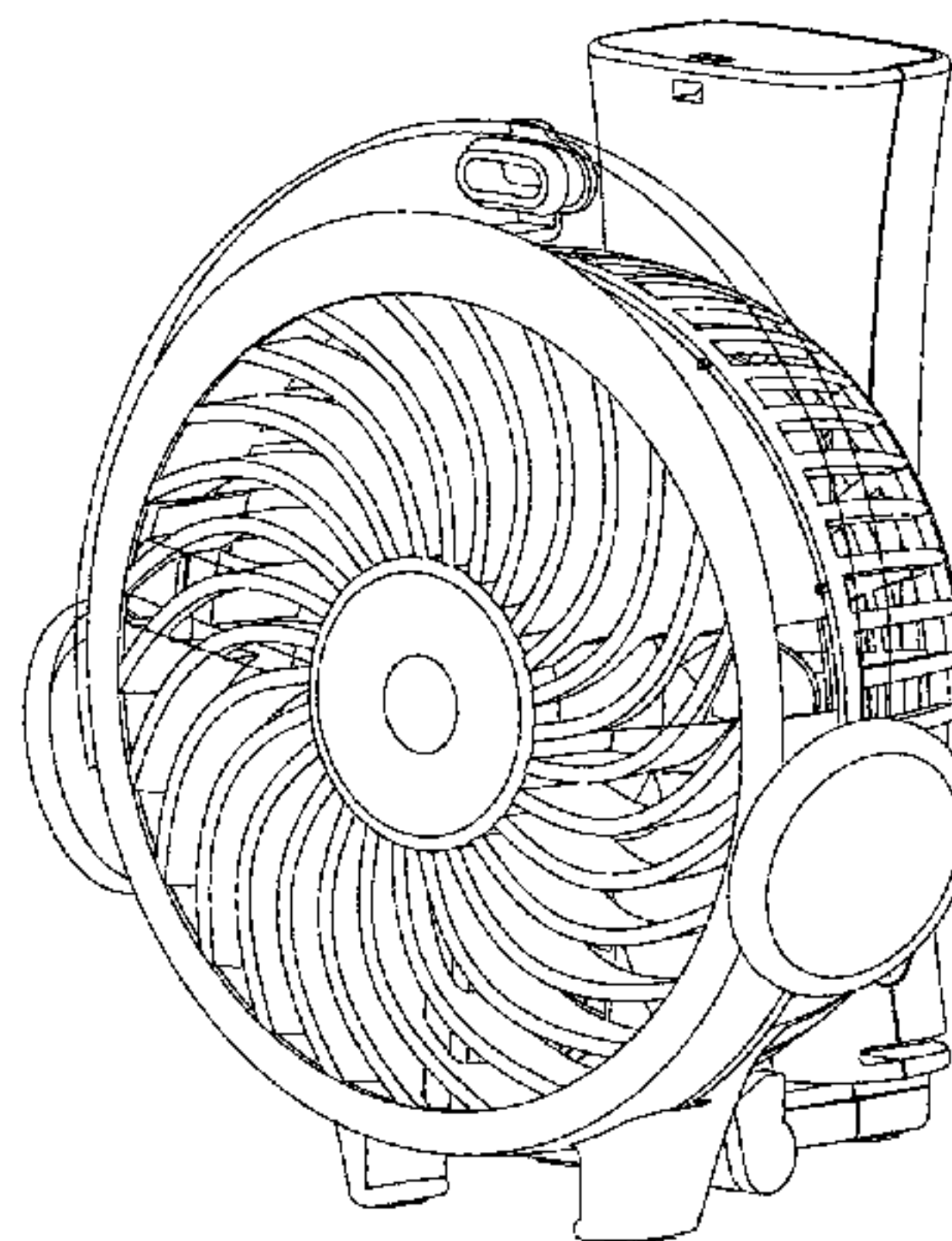
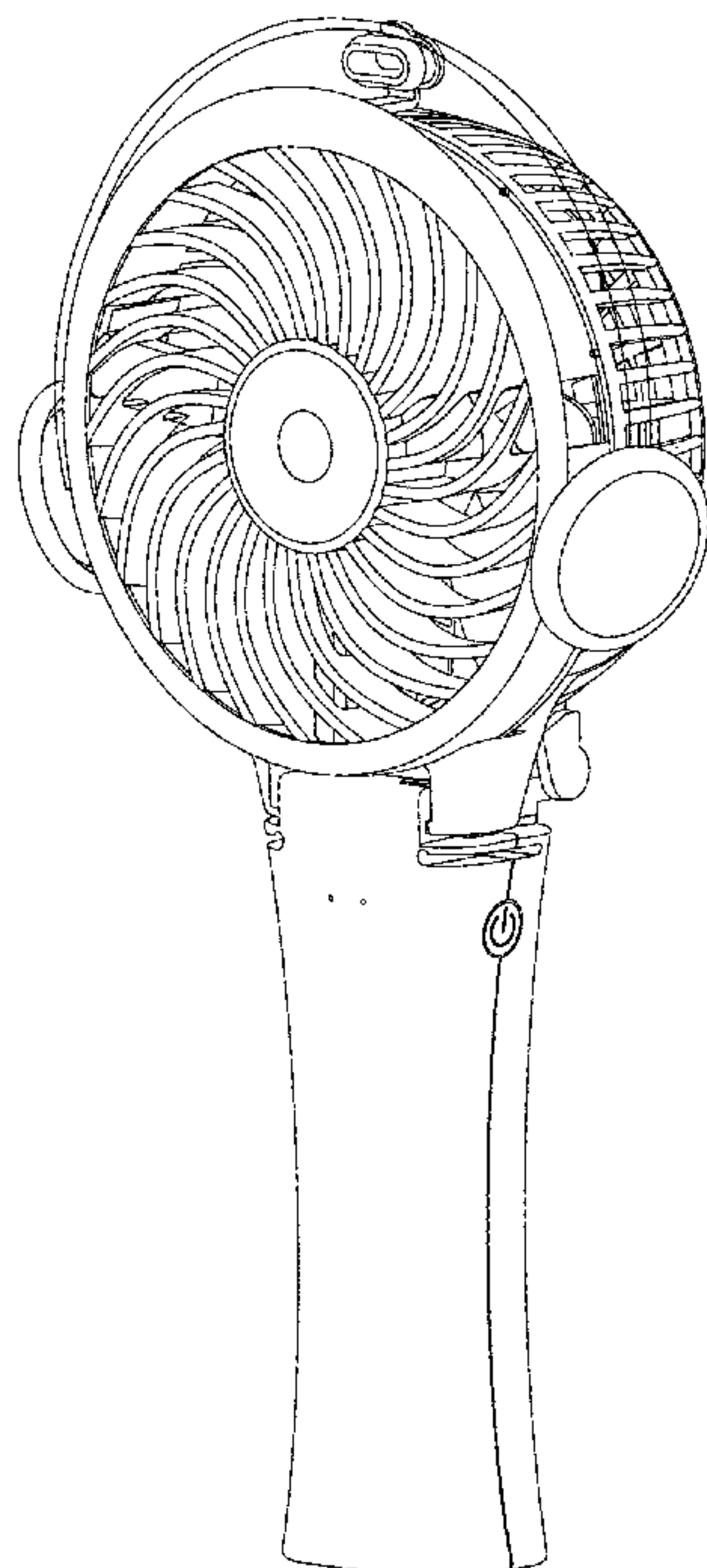
FIG. 7 is a top plan view of the fan of FIG. 1.

FIG. 8 is a bottom plan view of the fan of FIG. 1.

FIG. 9 is a right front perspective view of the fan of FIG. 1, but shown in a second configuration that is known for use of the fan; and,

FIG. 10 is a left front perspective view of the fan of FIG. 1, but shown in a third configuration that is known for use of the fan.

**1 Claim, 9 Drawing Sheets**



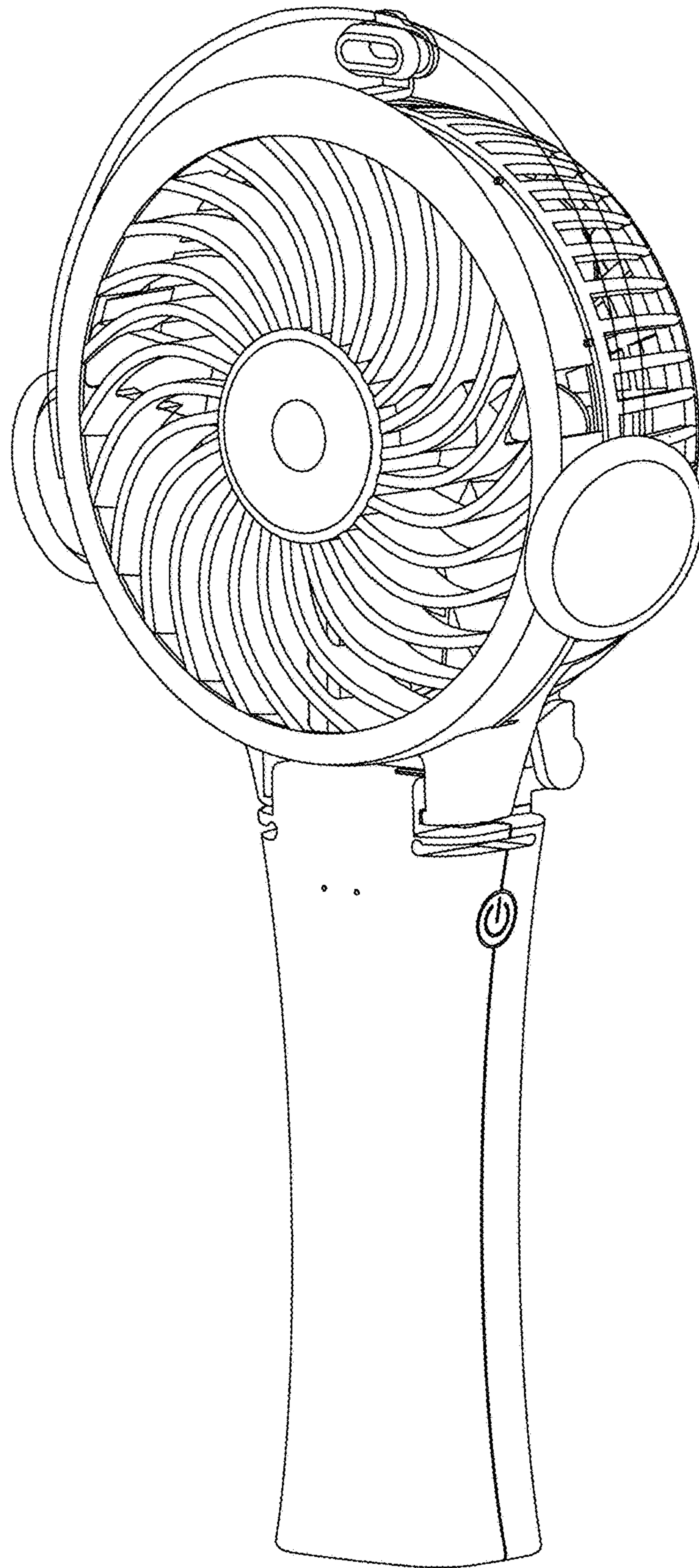


FIG. 1

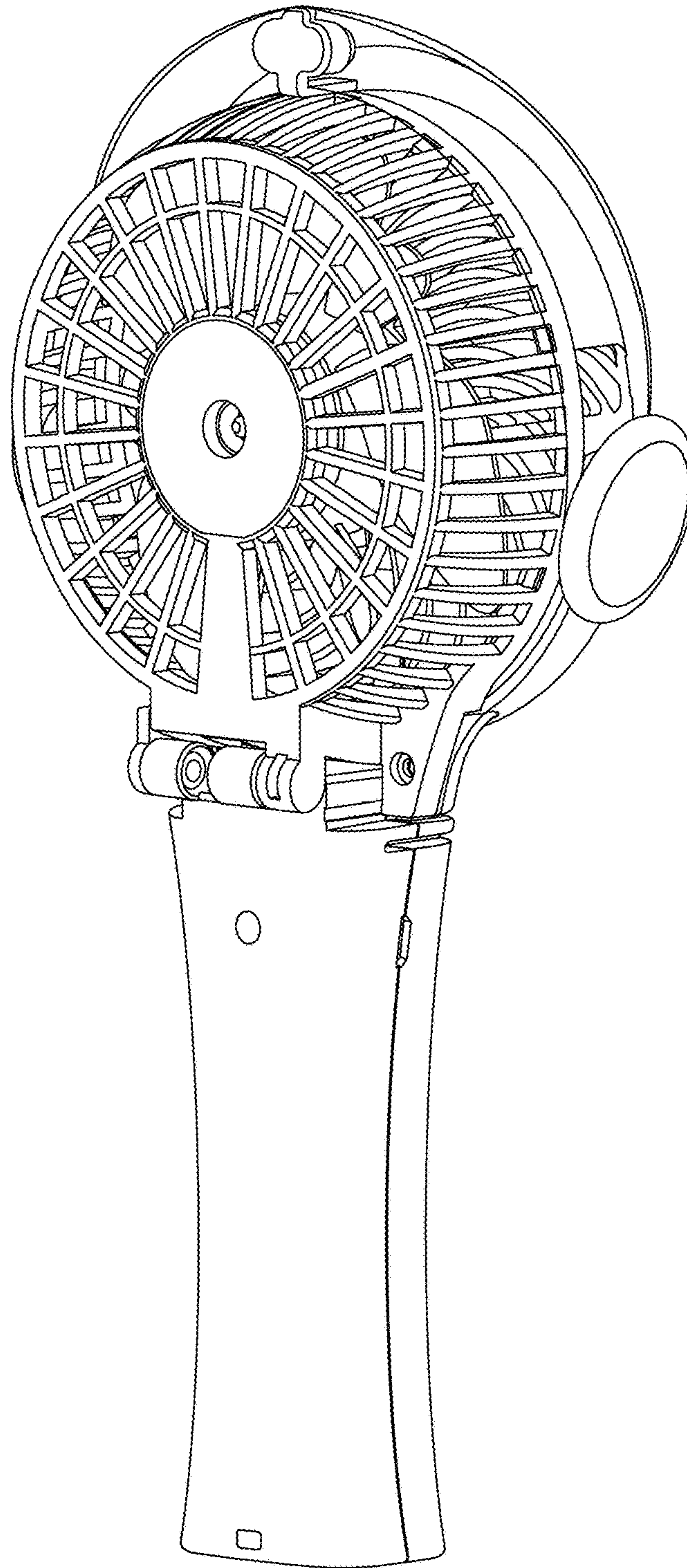


FIG. 2



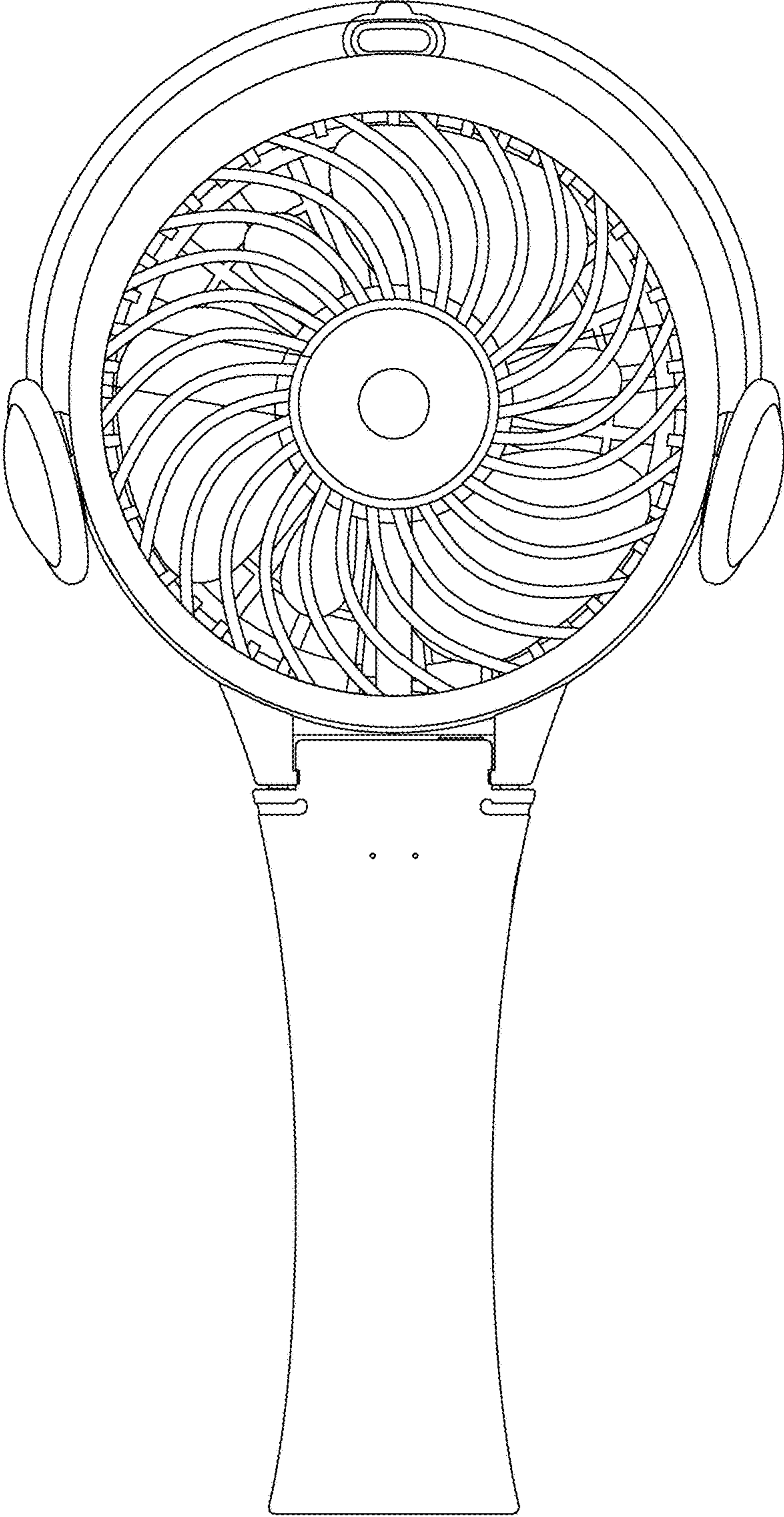


FIG. 3

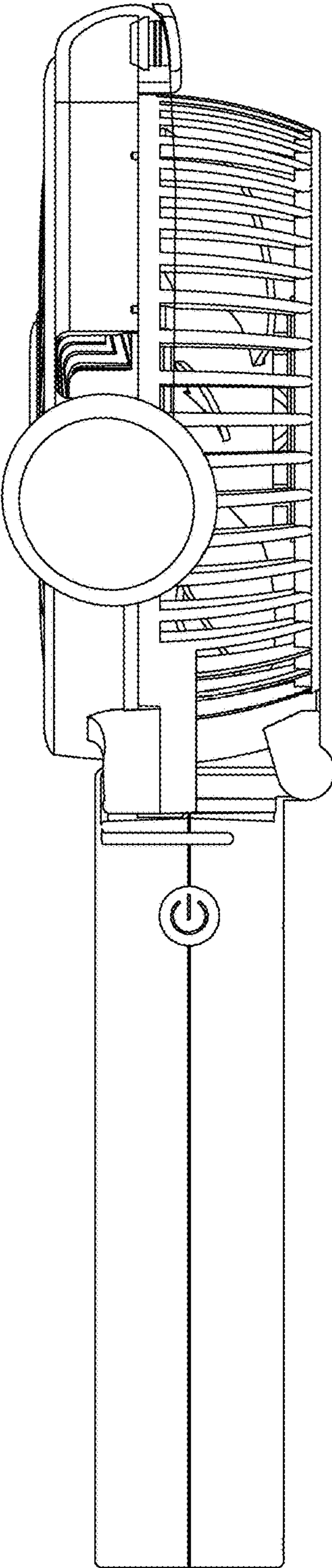


FIG. 4

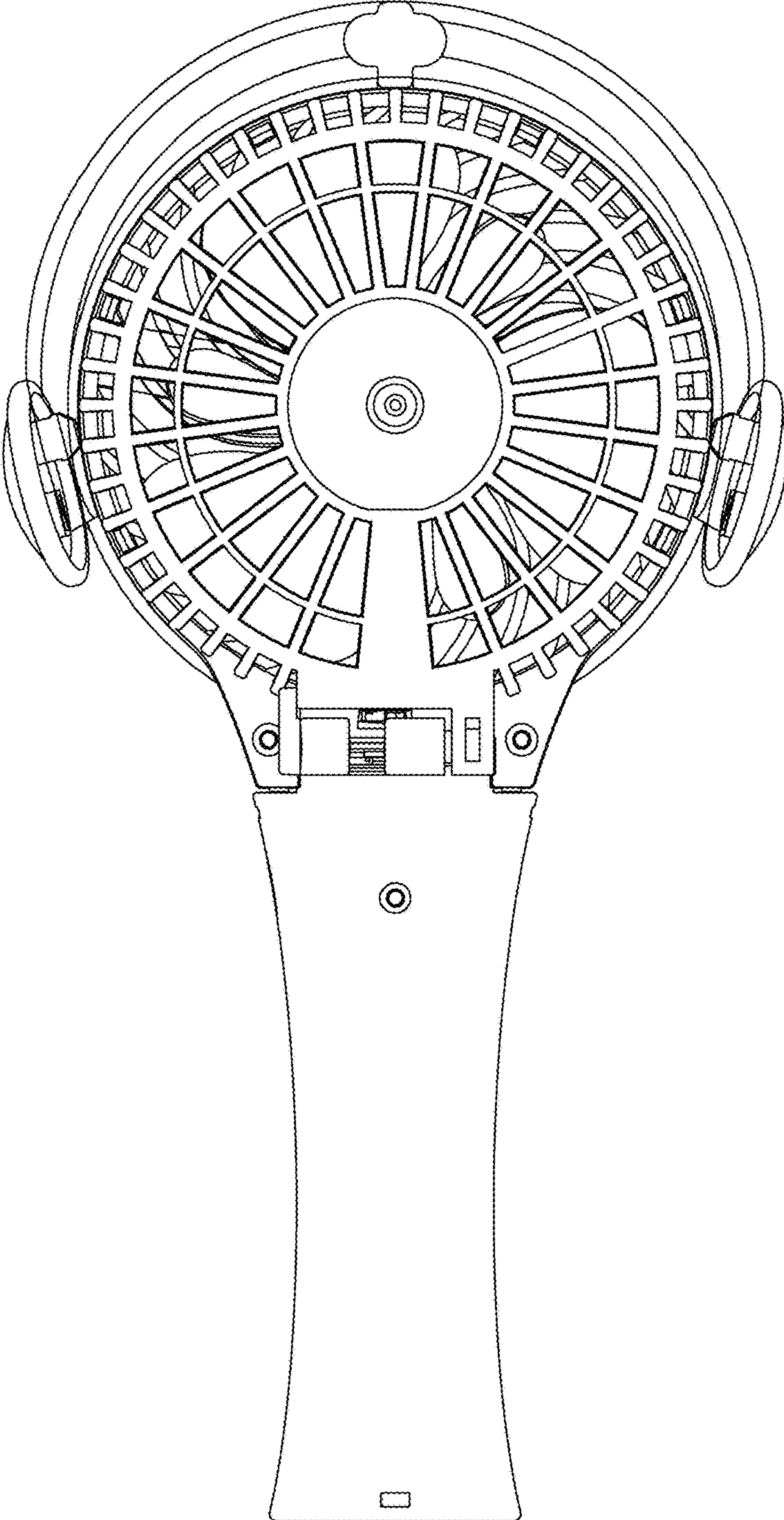


FIG. 5

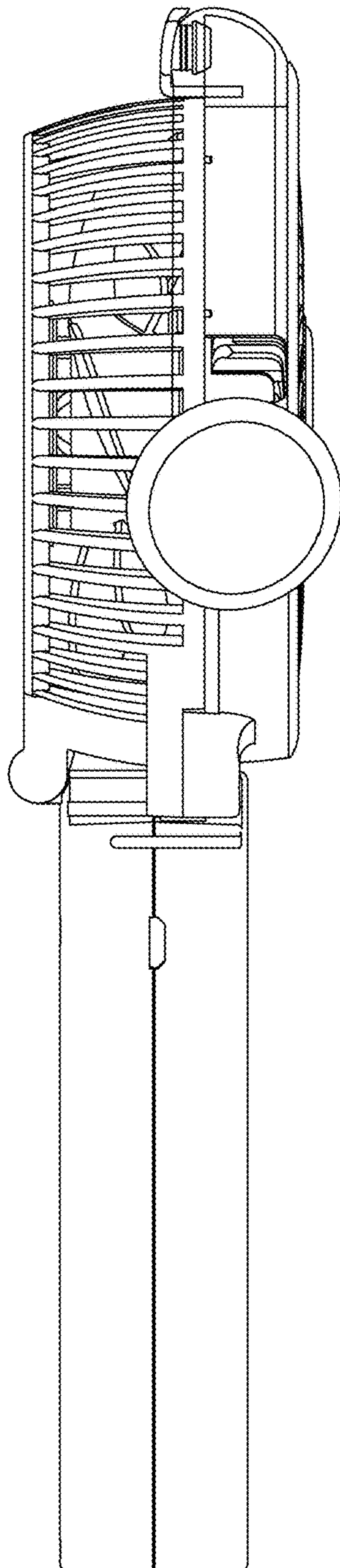


FIG. 6



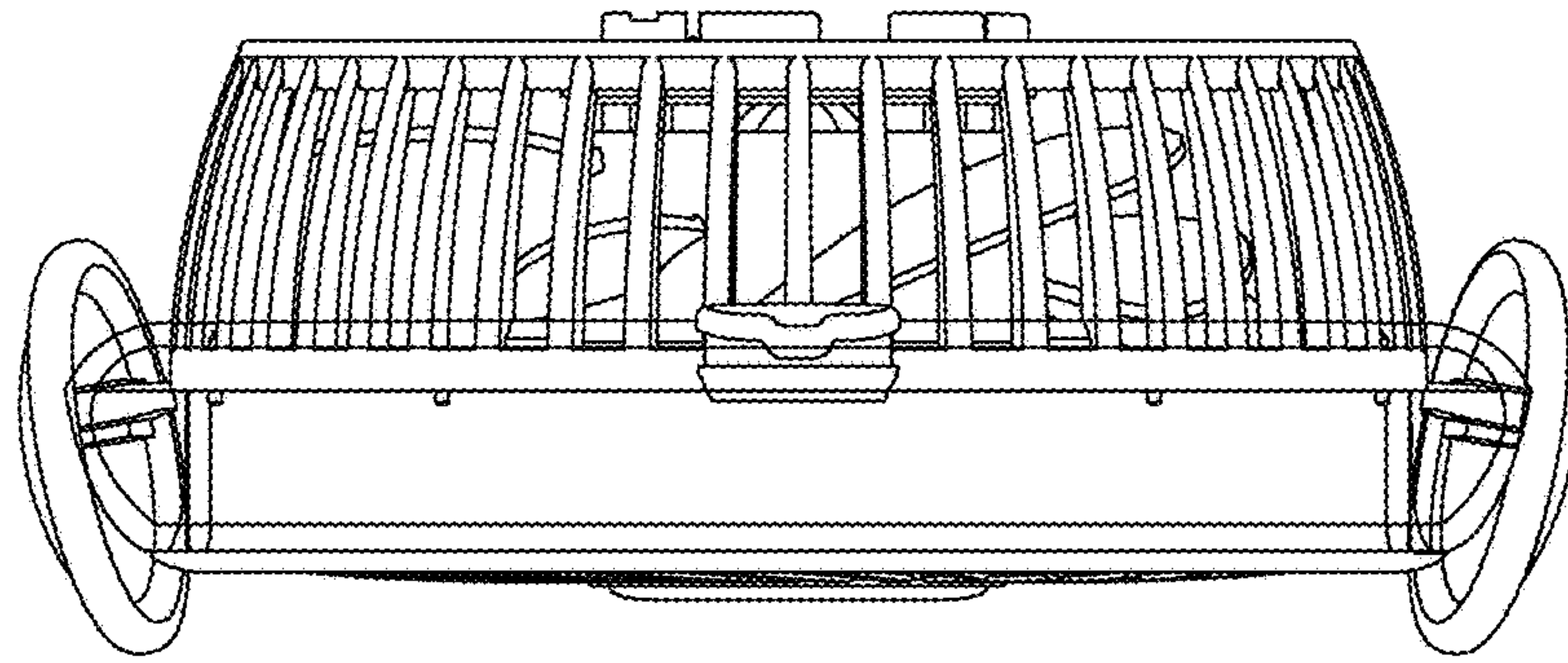


FIG. 7

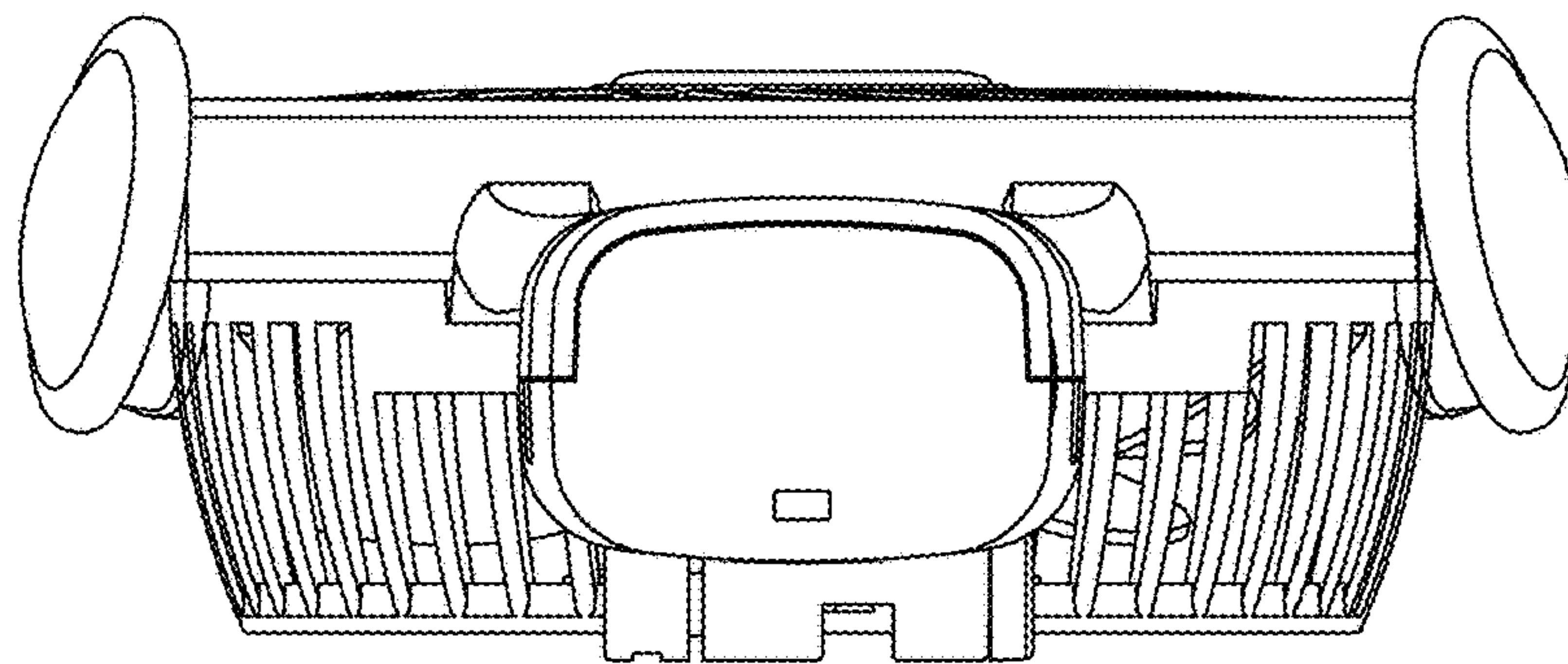


FIG. 8



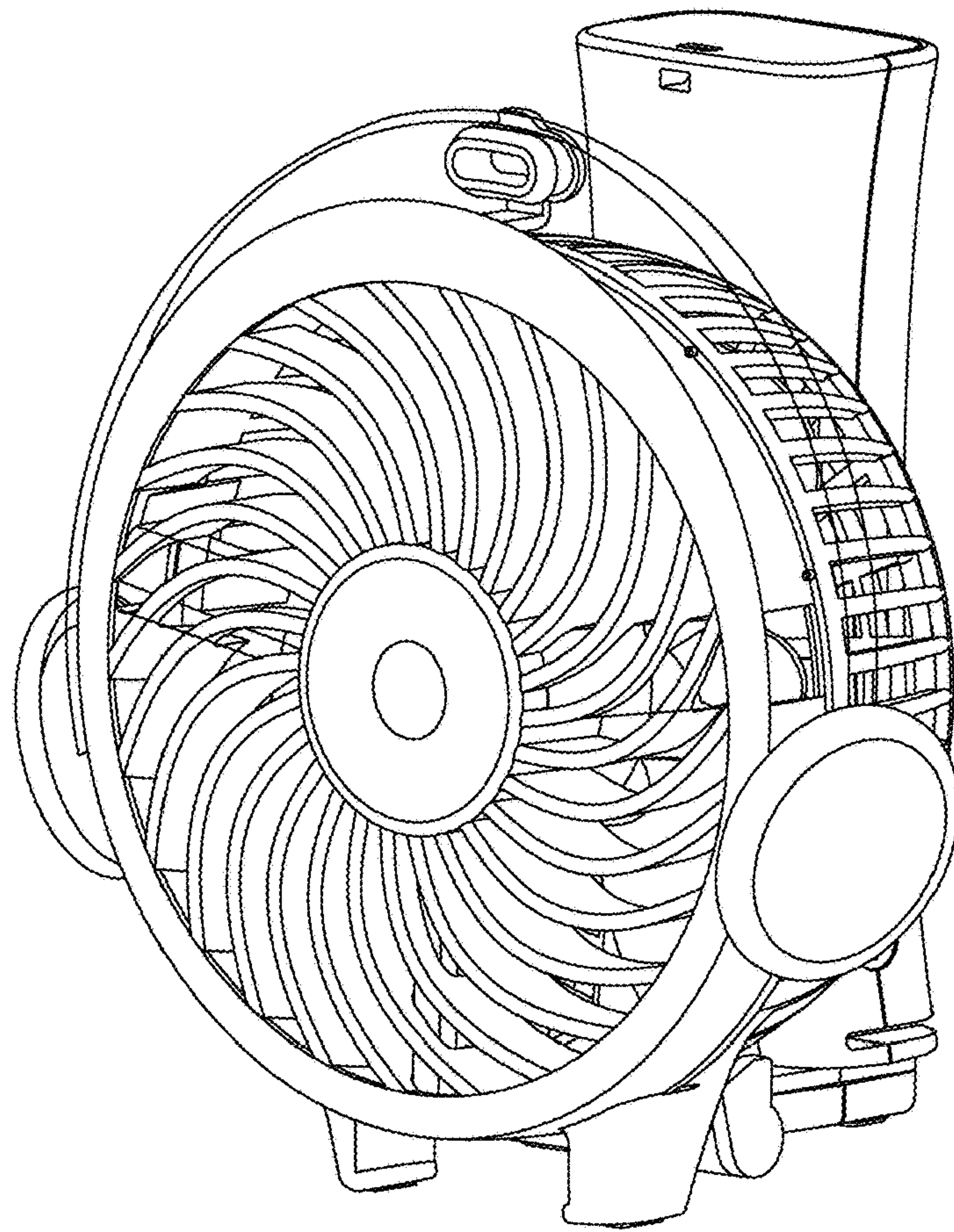


FIG. 9

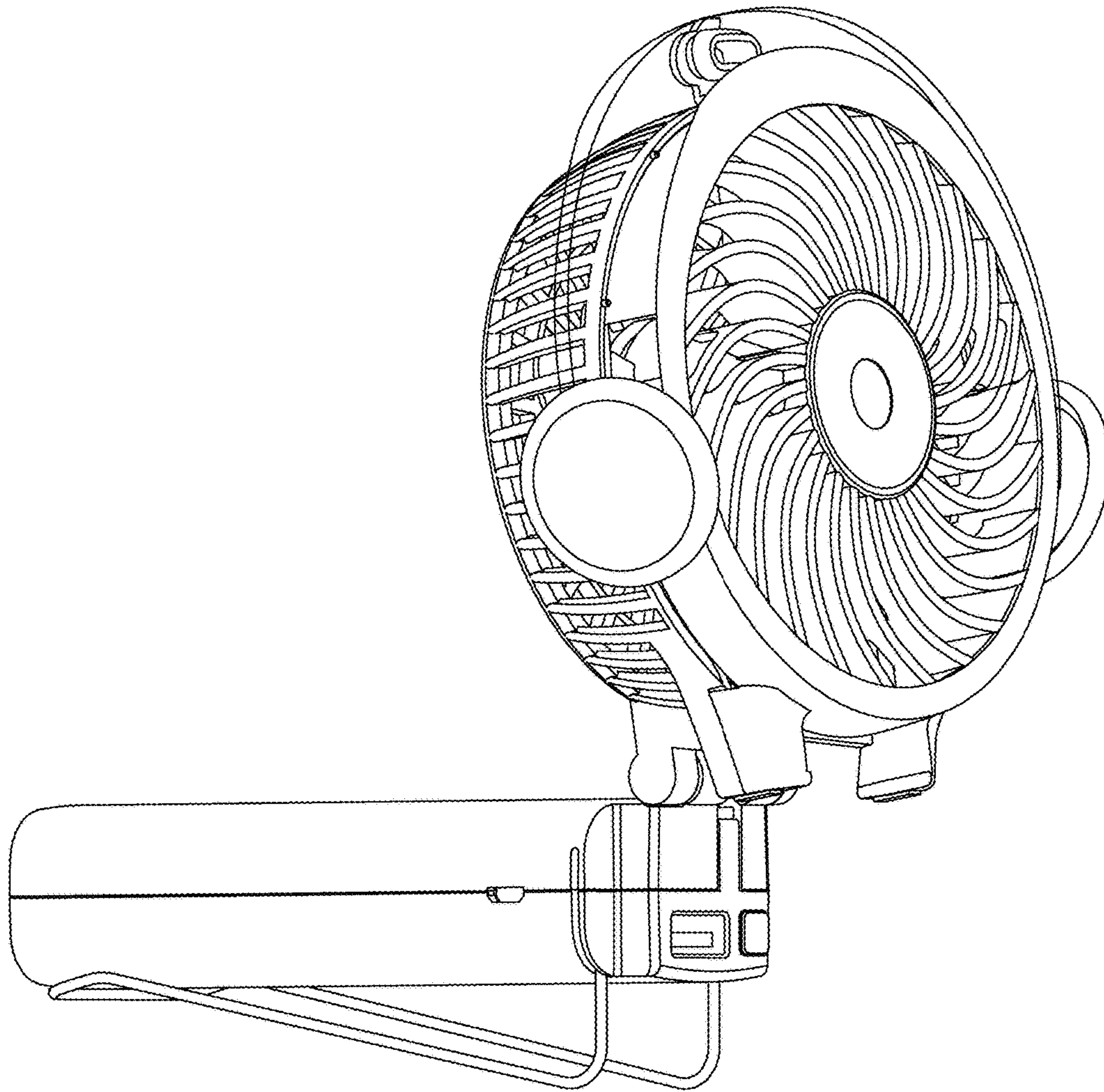


FIG. 10