



US00D837958S

(12) **United States Design Patent** (10) **Patent No.:** **US D837,958 S**  
**Bowen et al.** (45) **Date of Patent:** **\*\* Jan. 8, 2019**

(54) **BATHTUB**

*Primary Examiner* — Robert A Delehanty

(71) Applicant: **Kohler Co.**, Kohler, WI (US)

(74) *Attorney, Agent, or Firm* — Foley & Lardner LLP

(72) Inventors: **Stephen J. Bowen**, Sheboygan, WI (US); **Thomas E. Lilly**, Kohler, WI (US)

(57) **CLAIM**

(73) Assignee: **KOHLER CO.**, Kohler, WI (US)

We claim the ornamental design for a bathtub, as shown and described.

(\*\*) Term: **15 Years**

(21) Appl. No.: **29/658,303**

**DESCRIPTION**

(22) Filed: **Jul. 30, 2018**

**Related U.S. Application Data**

(62) Division of application No. 29/608,198, filed on Jun. 20, 2017, now Pat. No. Des. 827,789.

(51) **LOC (11) Cl.** ..... **23-01**

(52) **U.S. Cl.**  
USPC ..... **D23/304**

(58) **Field of Classification Search**  
USPC ..... D23/277, 280.1, 275, 303–305  
See application file for complete search history.

FIG. 1 is a top, front, left, perspective view o embodiment of the claimed design;  
FIG. 2 is a front elevation view thereof;  
FIG. 3 is a rear elevation view thereof;  
FIG. 4 is a left side elevation view thereof;  
FIG. 5 is a right side elevation view thereof;  
FIG. 6 is a top plan view thereof; and,  
FIG. 7 is a bottom plan view thereof.

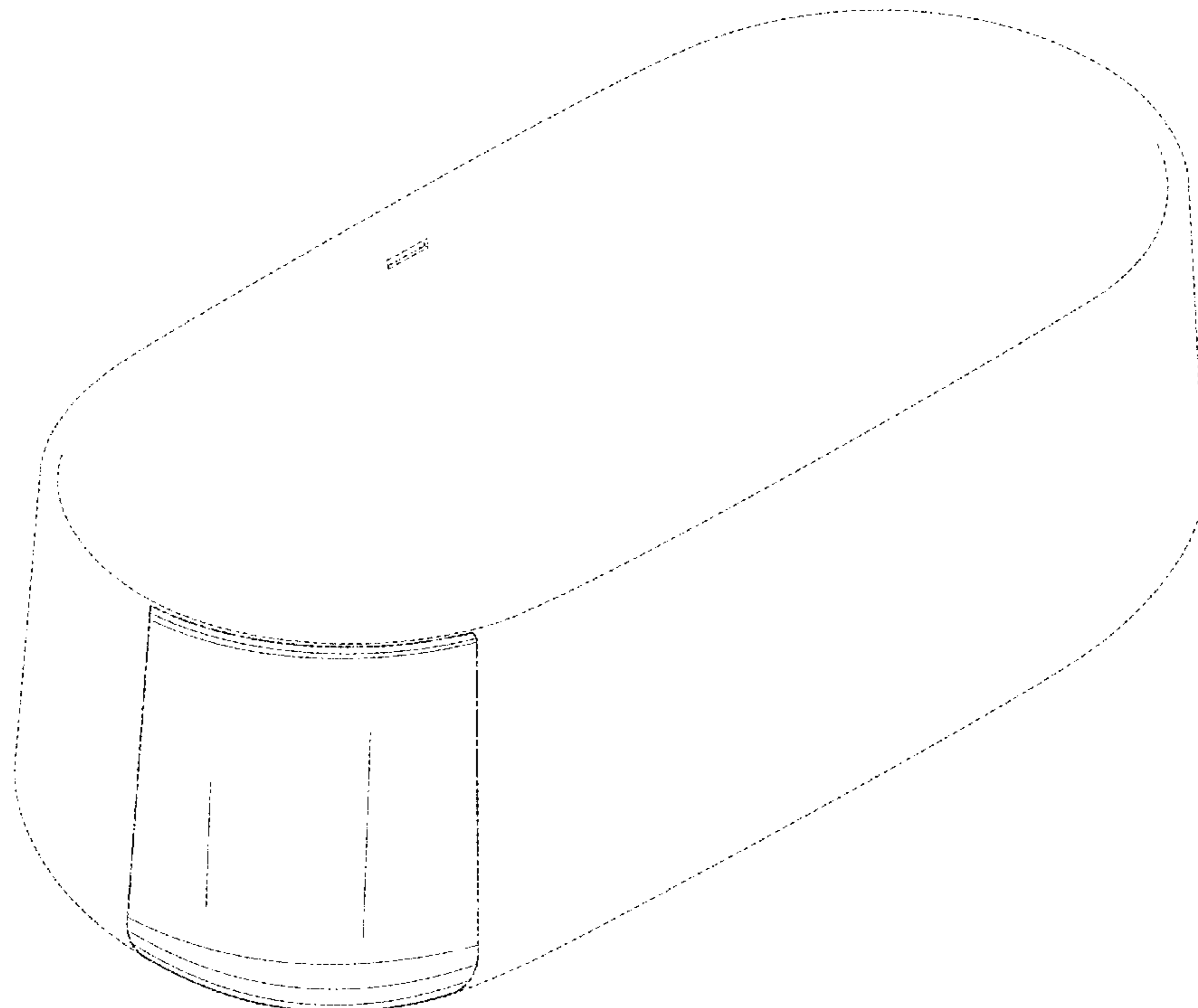
The ornamental design which is claimed is shown in solid lines in the drawings. The broken lines in the drawings are for illustrative purposes only and form no part of the claimed design. Broken lines formed by equal length dashes show unclaimed subject matter. Broken lines formed by unequal length dashes (i.e., dash-dot) define bounds of the claimed design. Cross-hatching provided on cut surfaces is for illustrative purposes only and forms no part of the claimed design.

(56) **References Cited**

**U.S. PATENT DOCUMENTS**

D470,579 S	2/2003	Foster
D473,634 S	4/2003	Foster
D638,106 S	5/2011	Jiang et al.
D711,517 S	8/2014	Newson

**1 Claim, 6 Drawing Sheets**



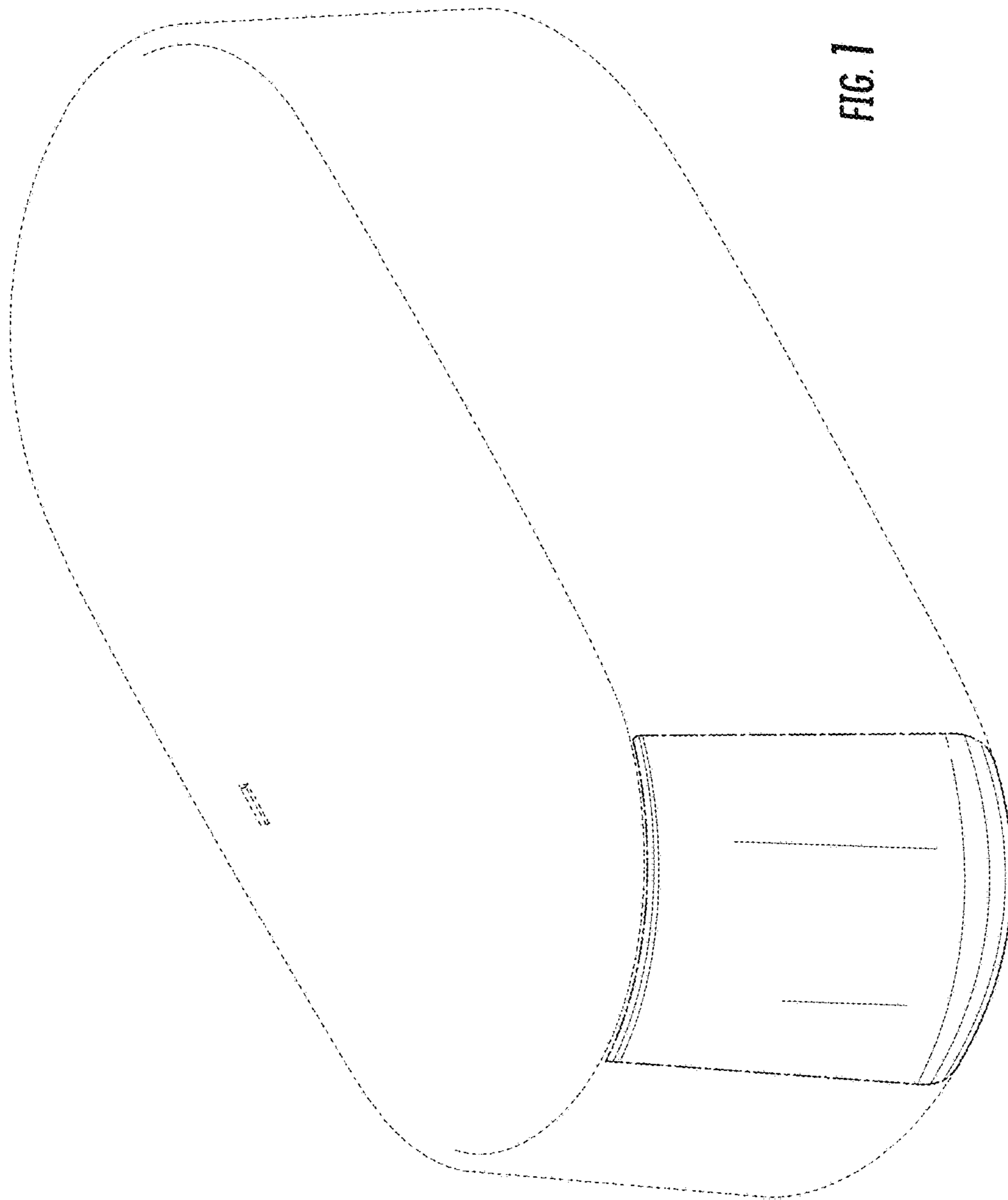


FIG. 1

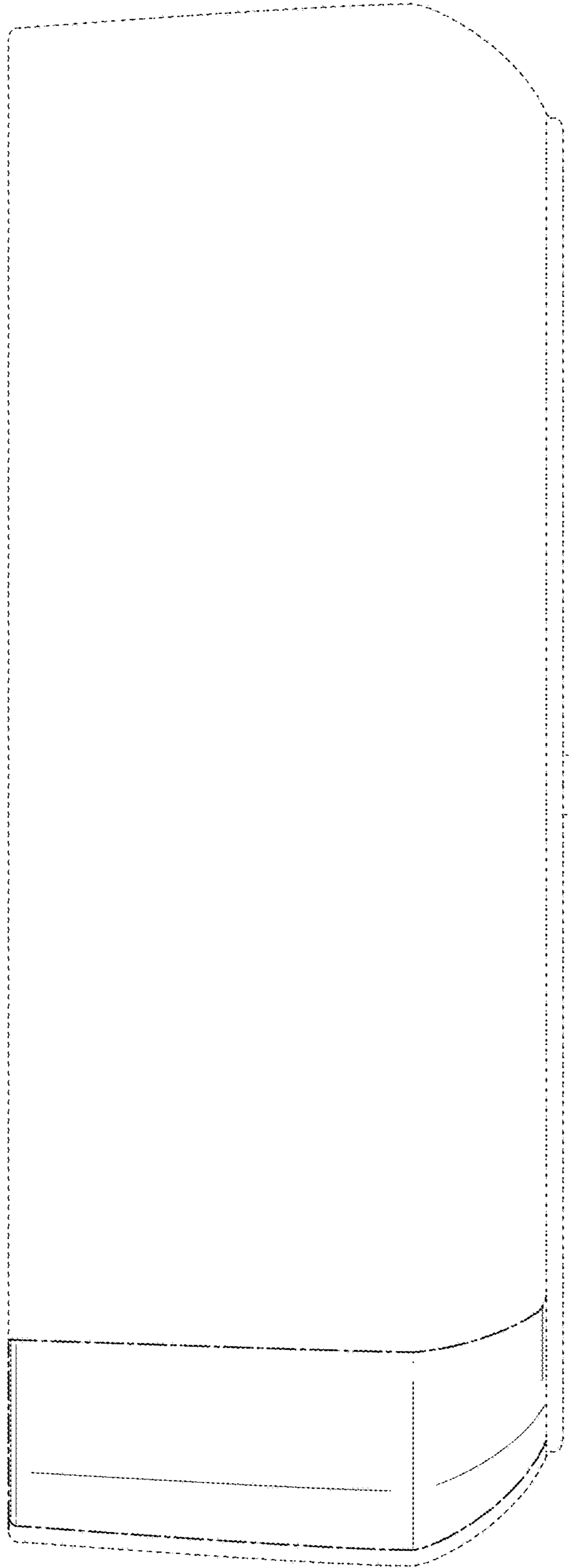


FIG. 2

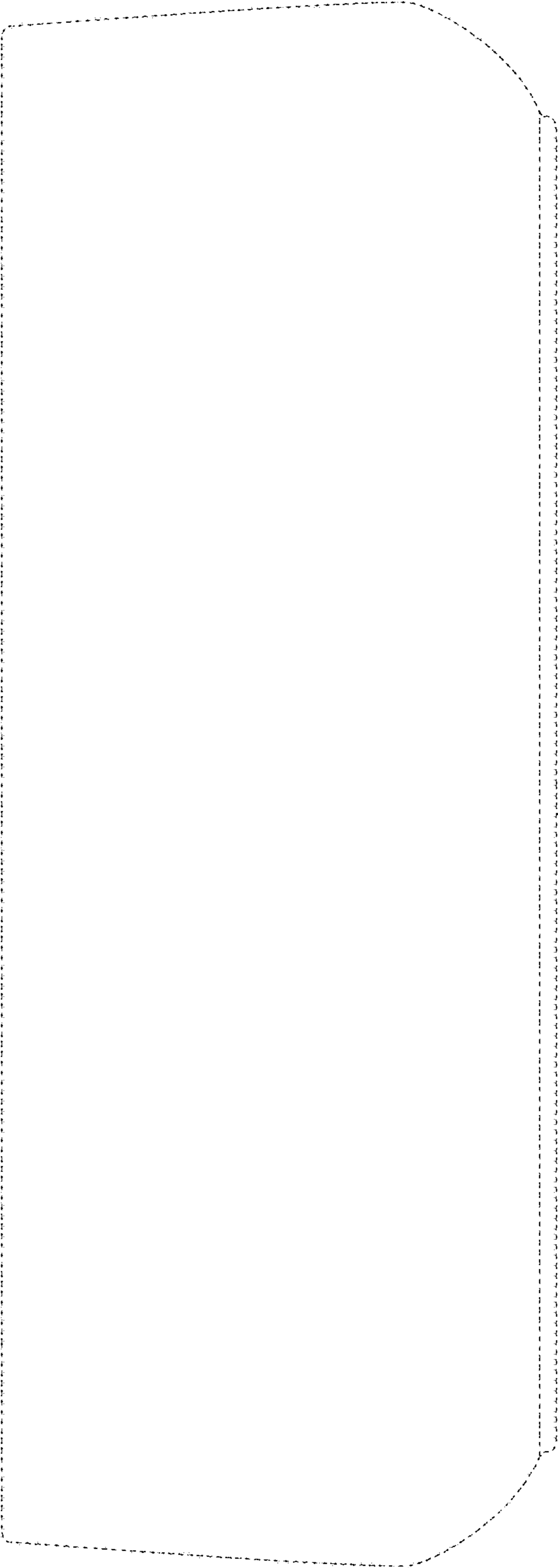


FIG. 3

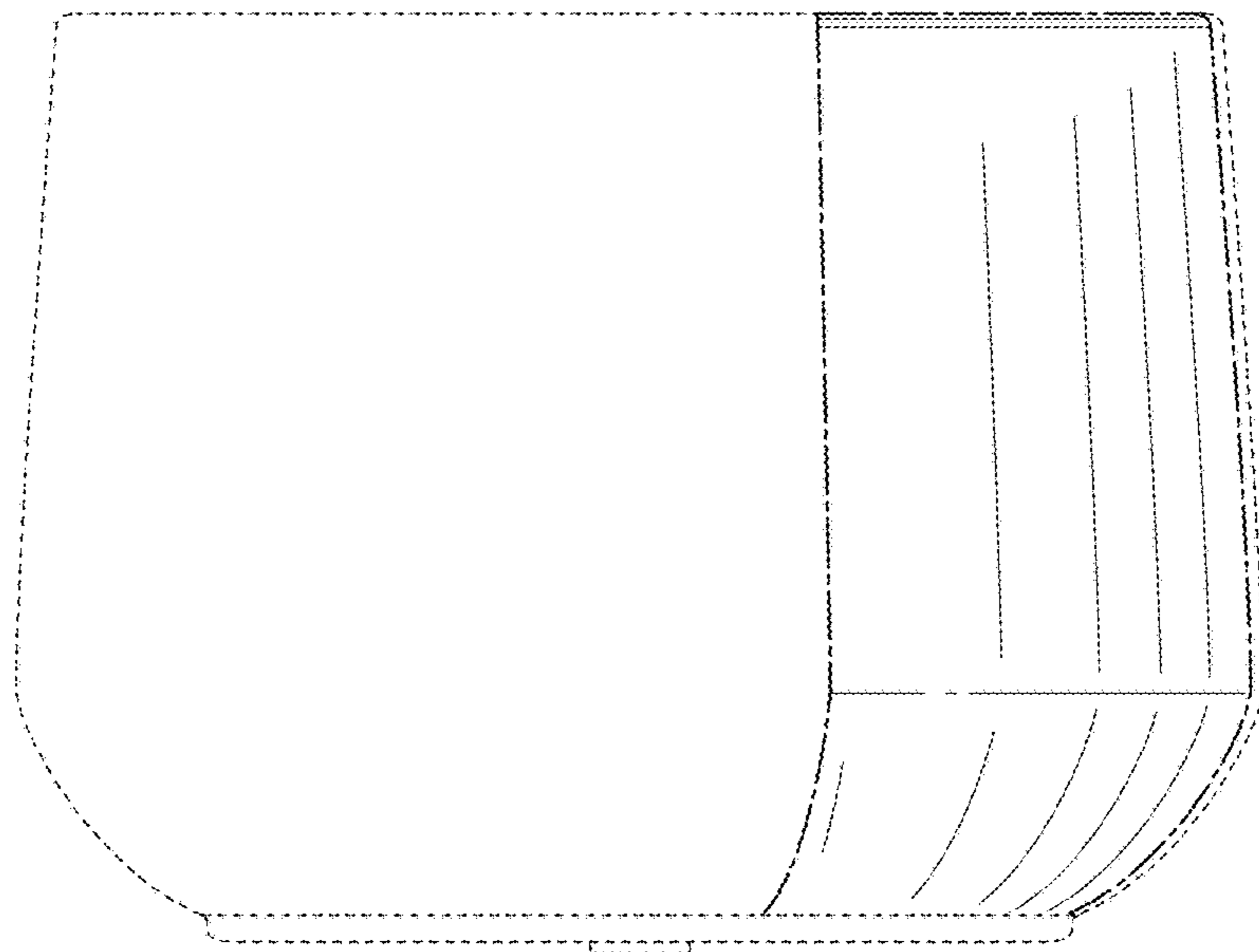


FIG. 4

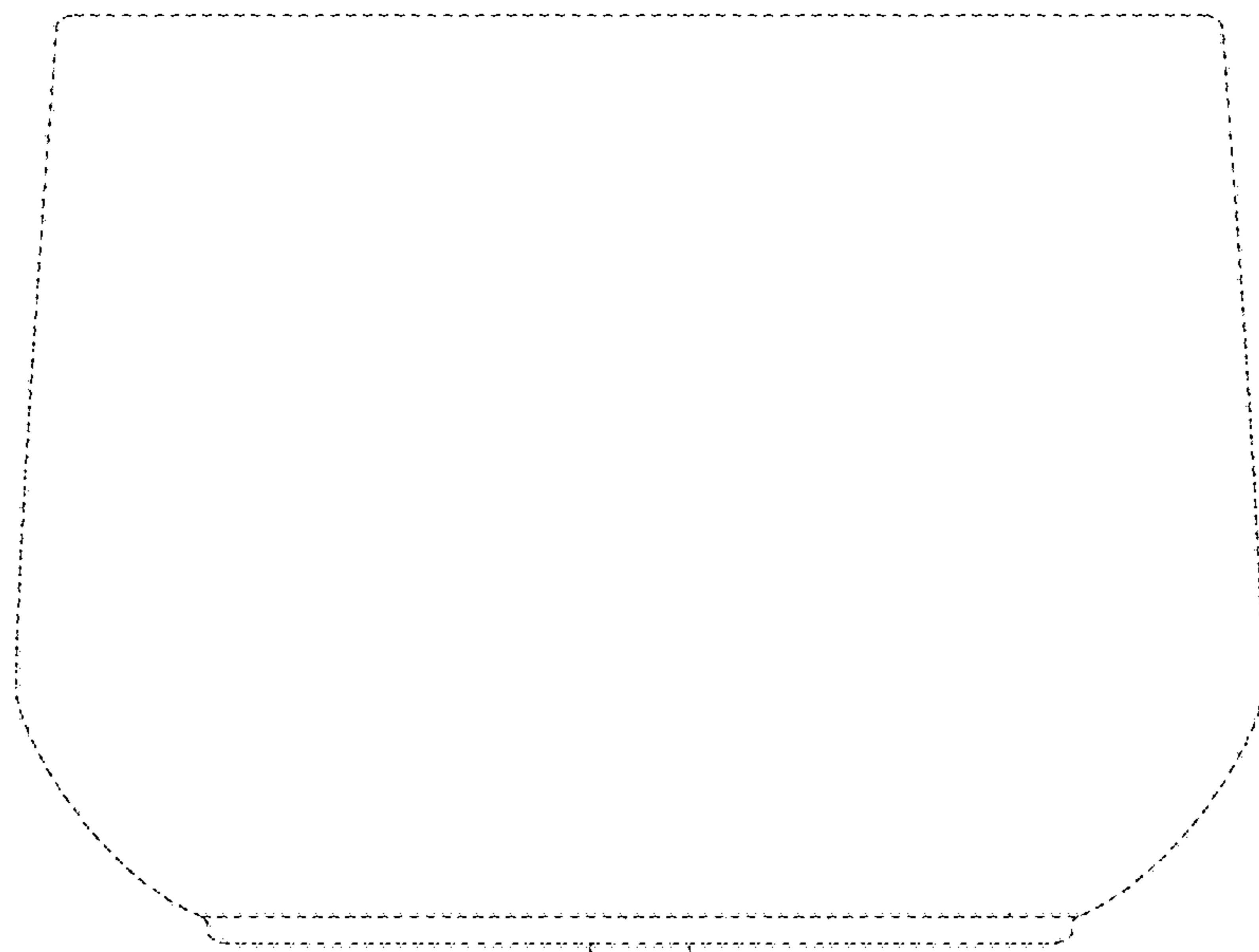


FIG. 5

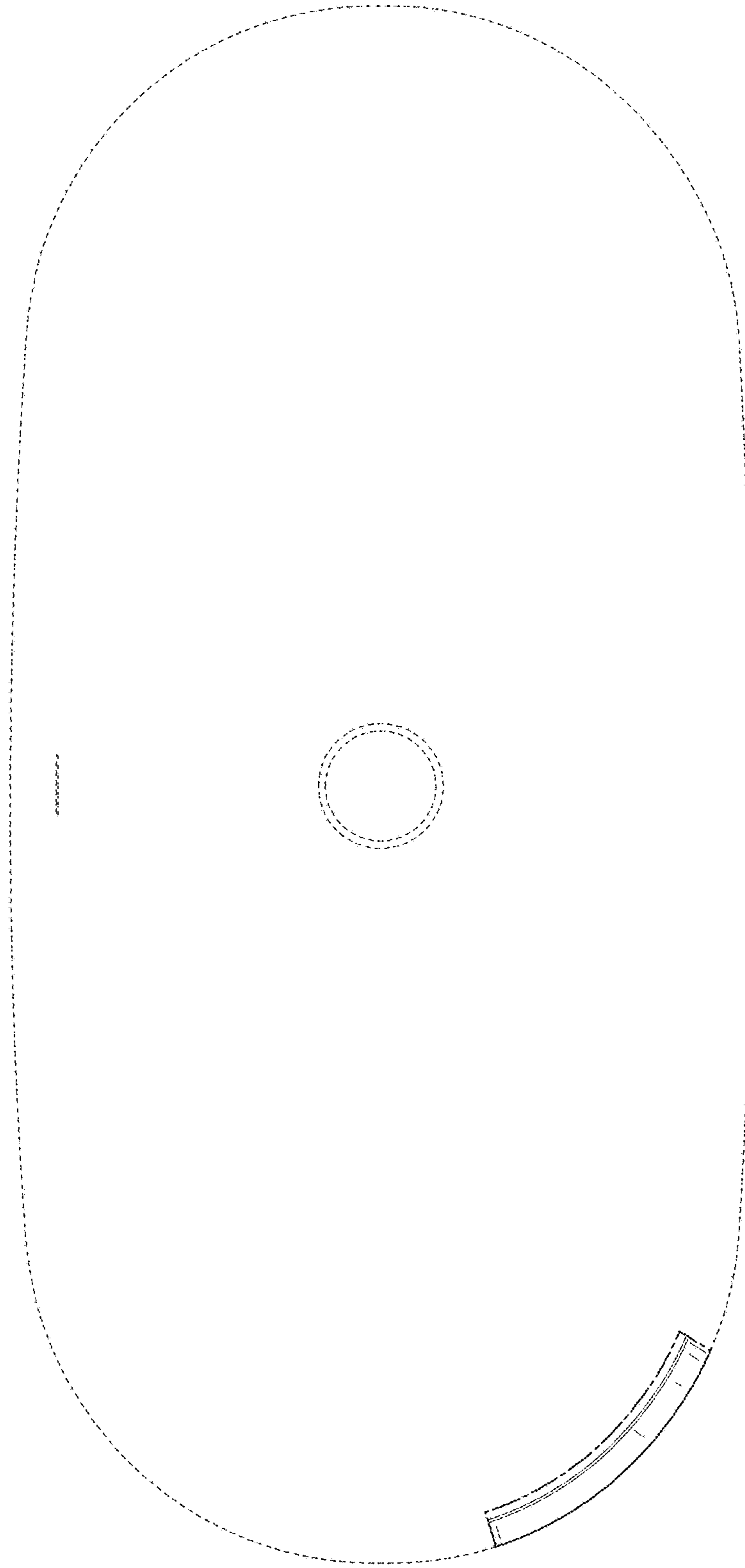


FIG. 6

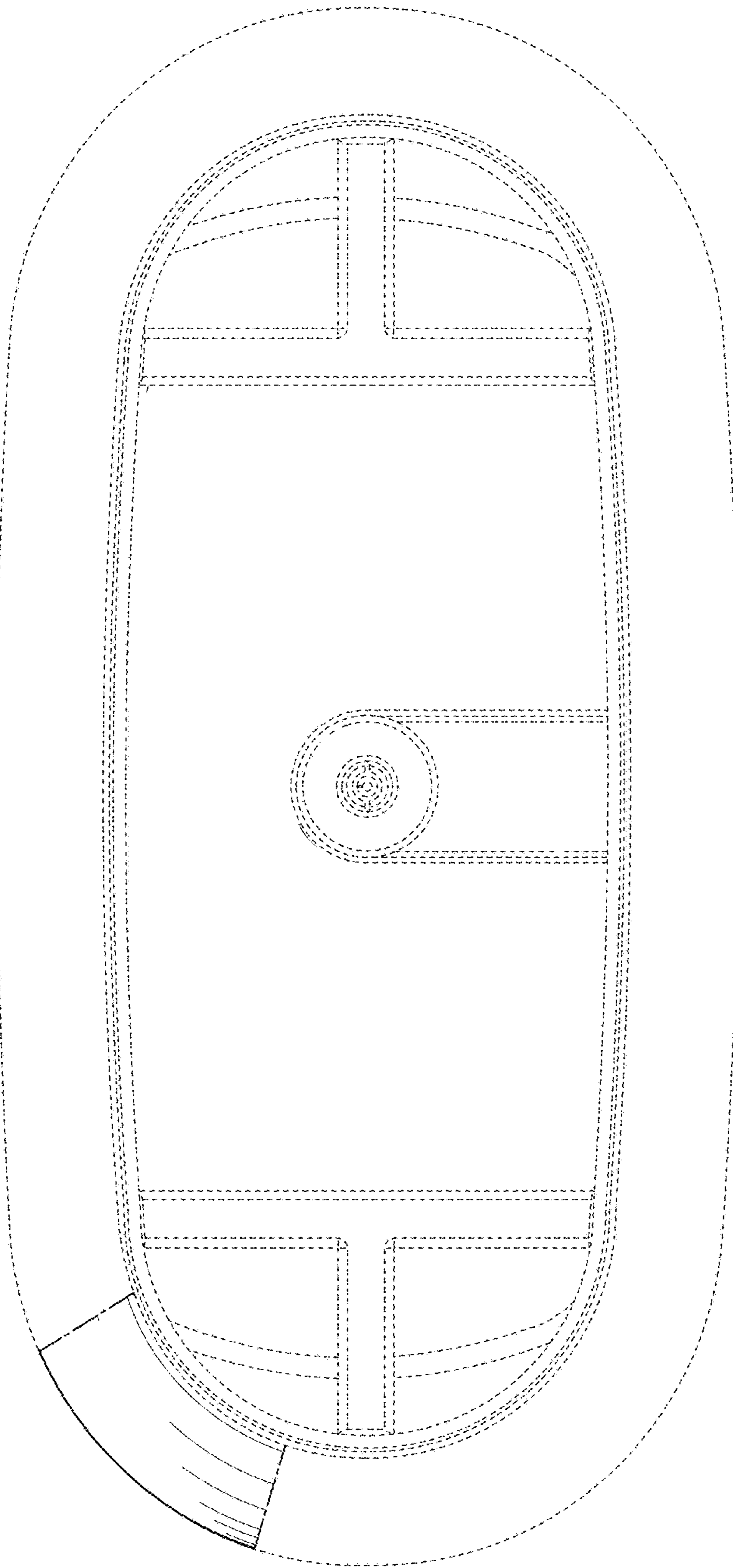


FIG. 7