



US00D837956S

(12) **United States Design Patent** (10) **Patent No.:** **US D837,956 S**
Bowen et al. (45) **Date of Patent:** **** Jan. 8, 2019**

(54) **BATHTUB**
(71) Applicant: **Kohler Co.**, Kohler, WI (US)
(72) Inventors: **Stephen J. Bowen**, Sheboygan, WI (US); **Thomas E. Lilly**, Kohler, WI (US)

D615,168 S 5/2010 Donnelly
D631,949 S 2/2011 Richmond
D711,517 S 8/2014 Newson

Primary Examiner — Robert A Delehanty
(74) *Attorney, Agent, or Firm* — Foley & Lardner LLP

(73) Assignee: **KOHLER CO.**, Kohler, WI (US)
(**) Term: **15 Years**

(57) **CLAIM**

We claim the ornamental design for a bathtub, as shown and described.

(21) Appl. No.: **29/656,582**

DESCRIPTION

(22) Filed: **Jul. 13, 2018**

Related U.S. Application Data

(62) Division of application No. 29/608,197, filed on Jun. 20, 2017, now Pat. No. Des. 826,384.

FIG. 1 is a top, front, right, perspective view according to an embodiment of the claimed design;
FIG. 2 is a front elevation view thereof;
FIG. 3 is a rear elevation view thereof;
FIG. 4 is a right side elevation view thereof;
FIG. 5 is a left side elevation view thereof;
FIG. 6 is a top plan view thereof; and,
FIG. 7 is a bottom plan view thereof.

(51) **LOC (11) Cl.** **23-02**
(52) **U.S. Cl.**

USPC **D23/304**

(58) **Field of Classification Search**
USPC D23/277, 280.1, 275, 303–305
See application file for complete search history.

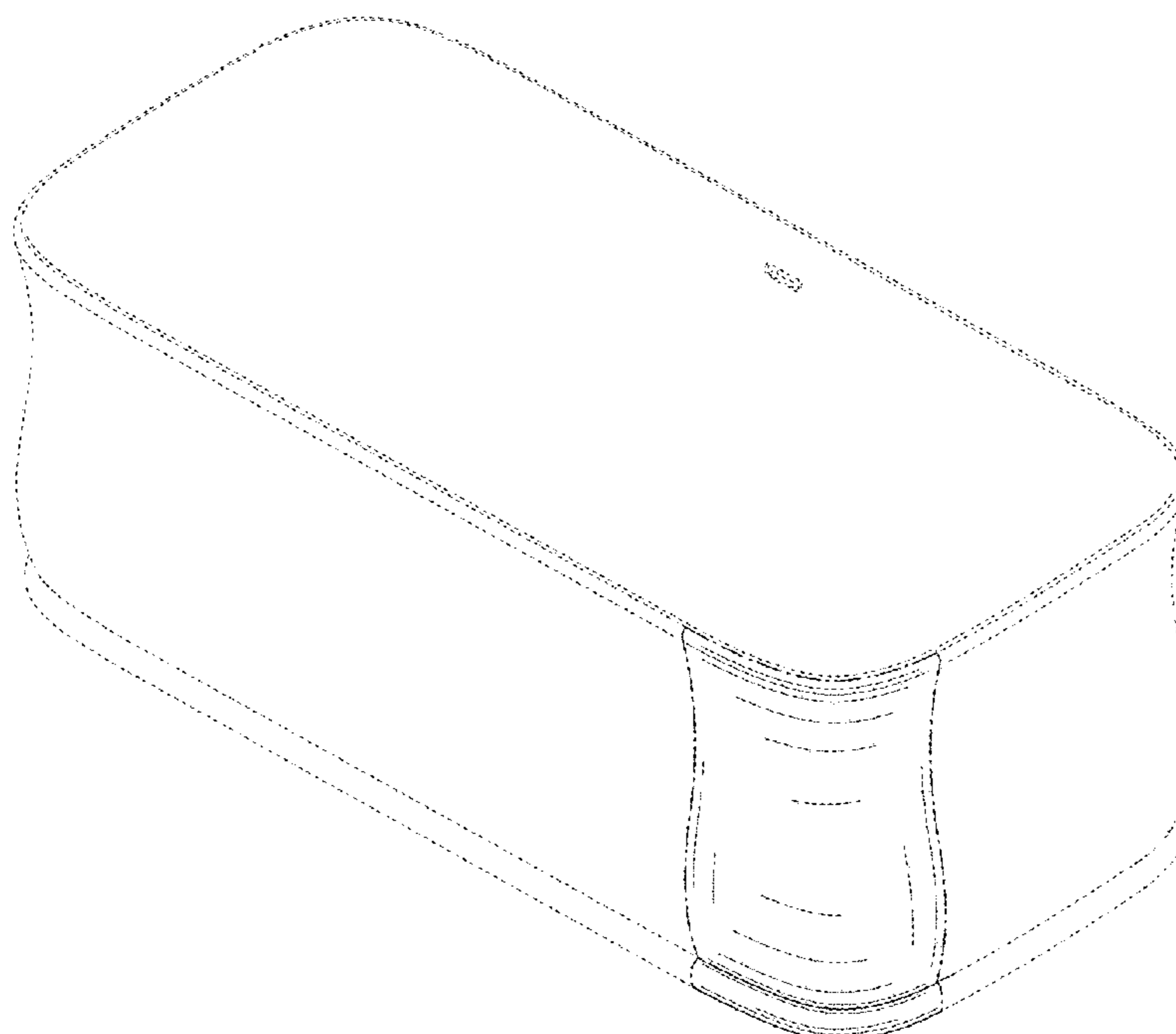
The ornamental design which is claimed is shown in solid lines in the drawings. The broken lines in the drawings are for illustrative purposes only and form no part of the claimed design. Broken lines formed by equal length dashes show unclaimed subject matter. Broken lines formed by unequal length dashes (i.e., dash-dot) define bounds of the claimed design.

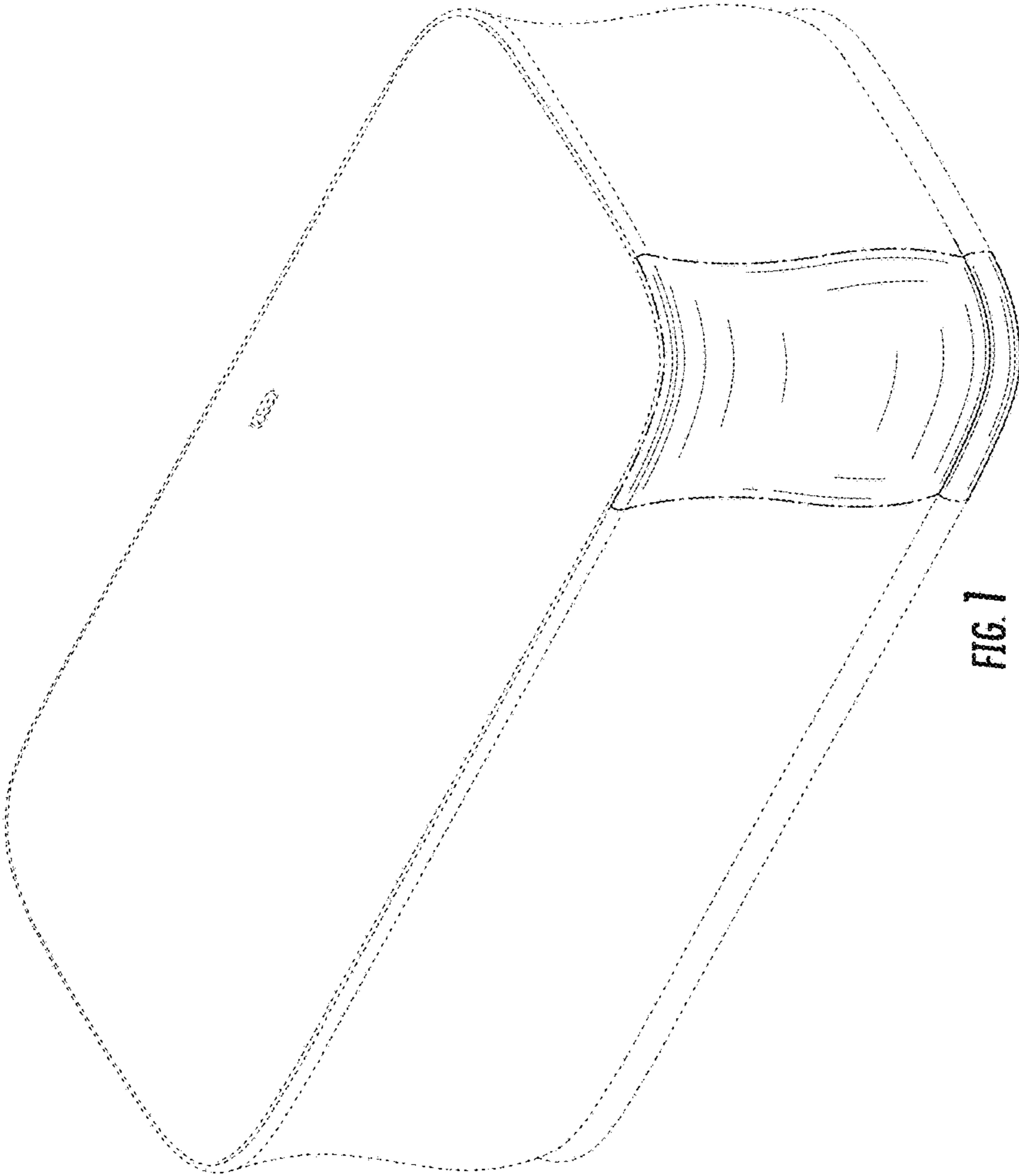
(56) **References Cited**

U.S. PATENT DOCUMENTS

D37,257 S 12/1904 Lloyd
D444,861 S 7/2001 Smith

1 Claim, 7 Drawing Sheets





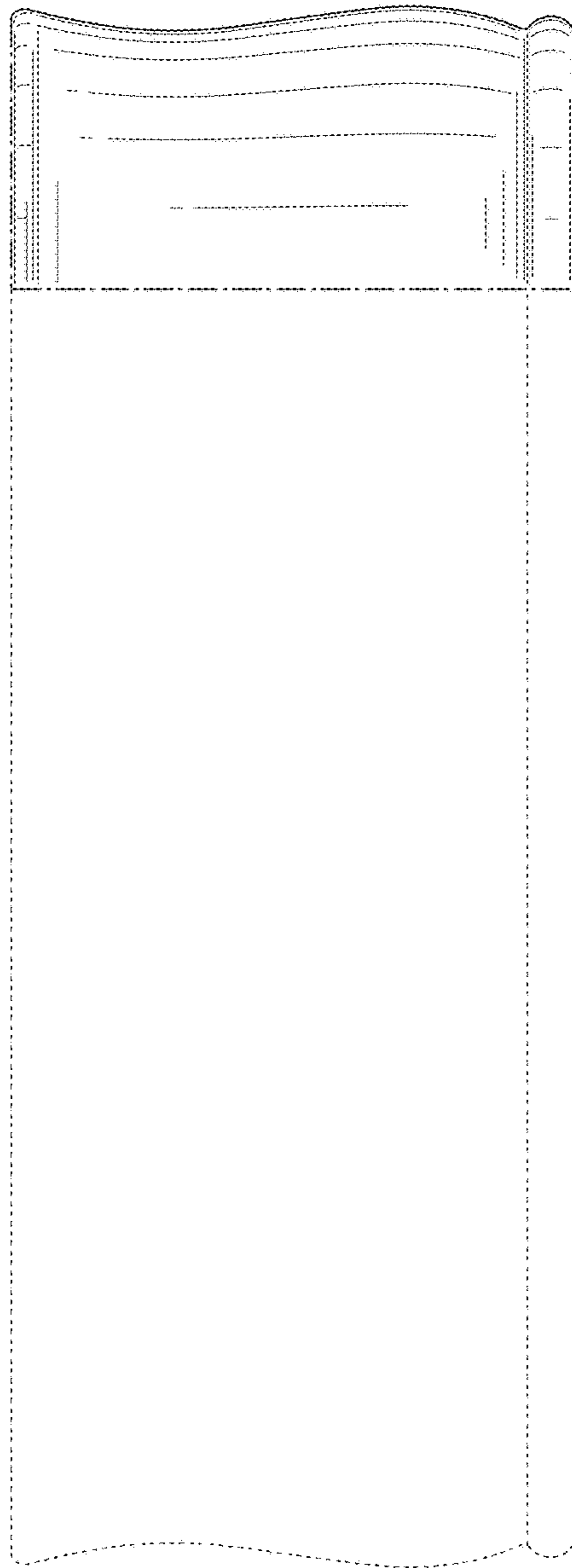


FIG. 2

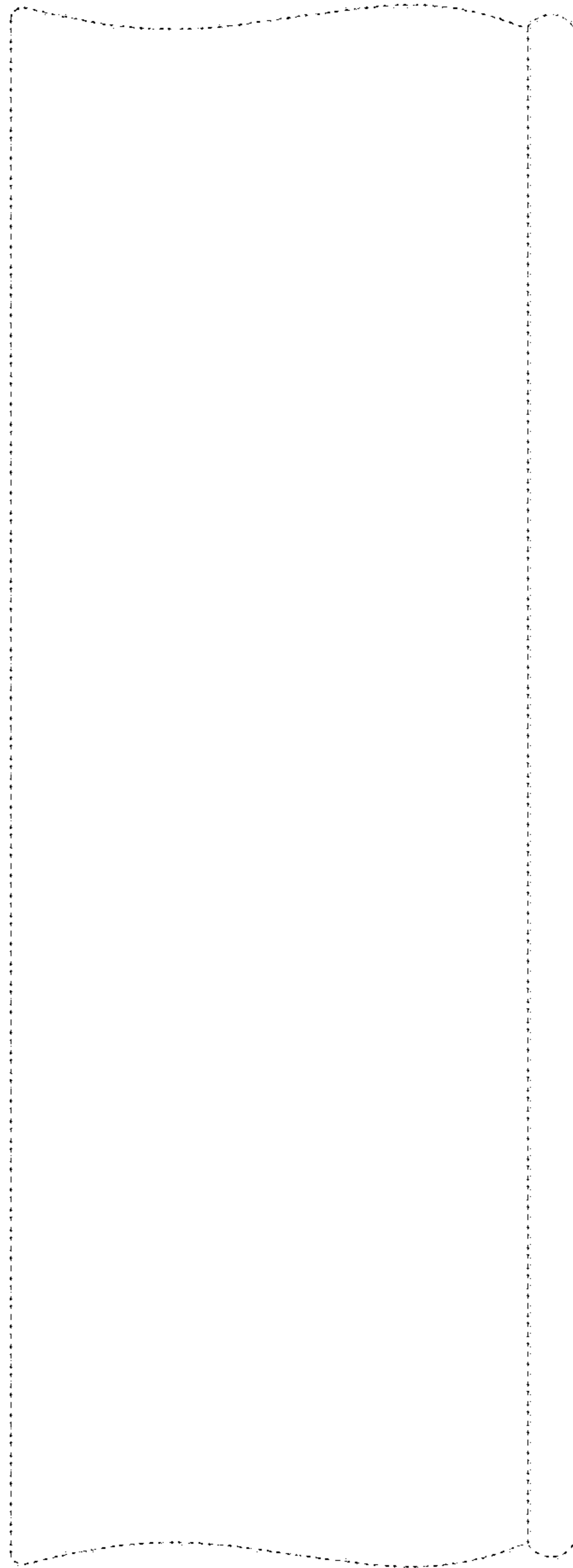


FIG. 3

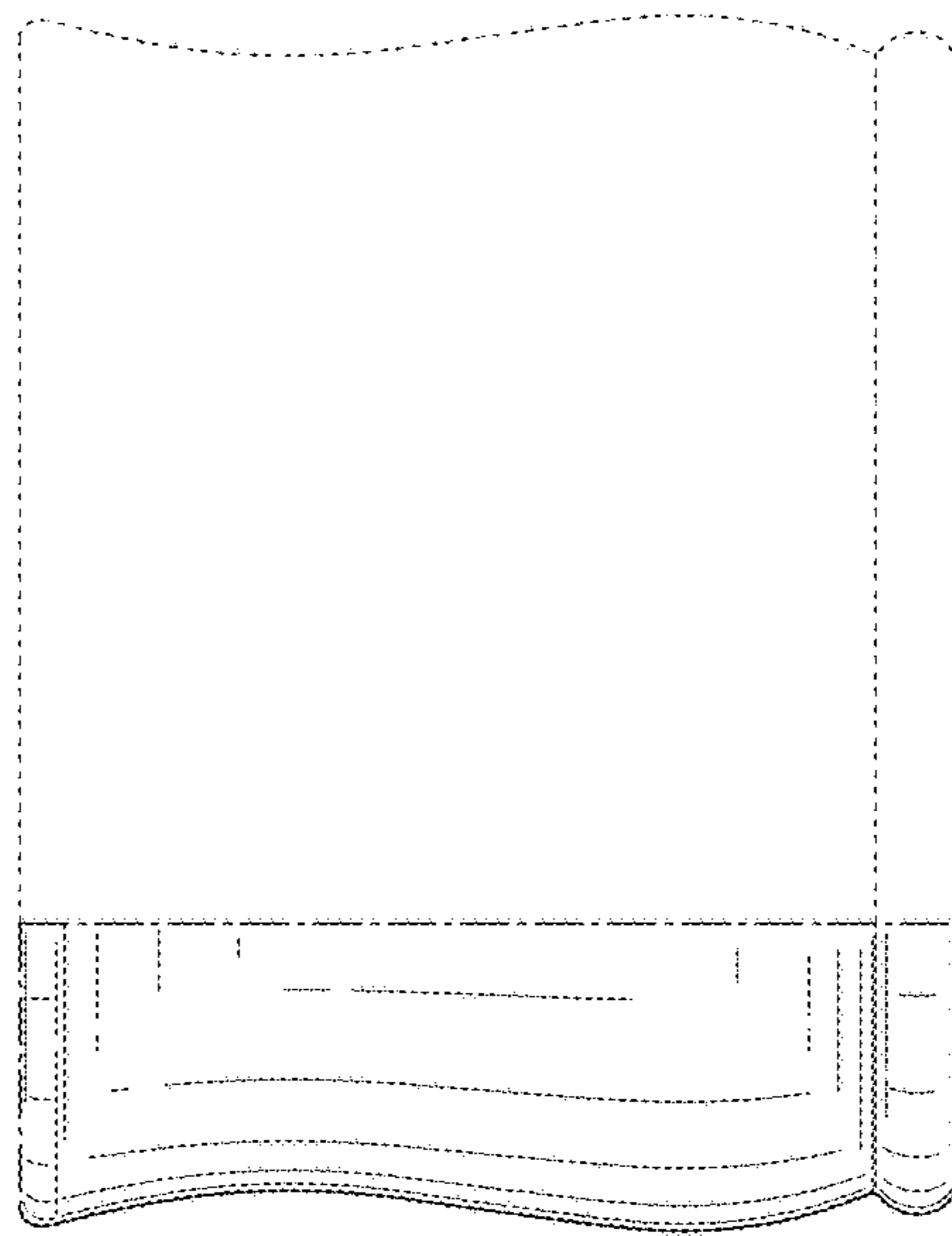


FIG. 4



FIG. 5

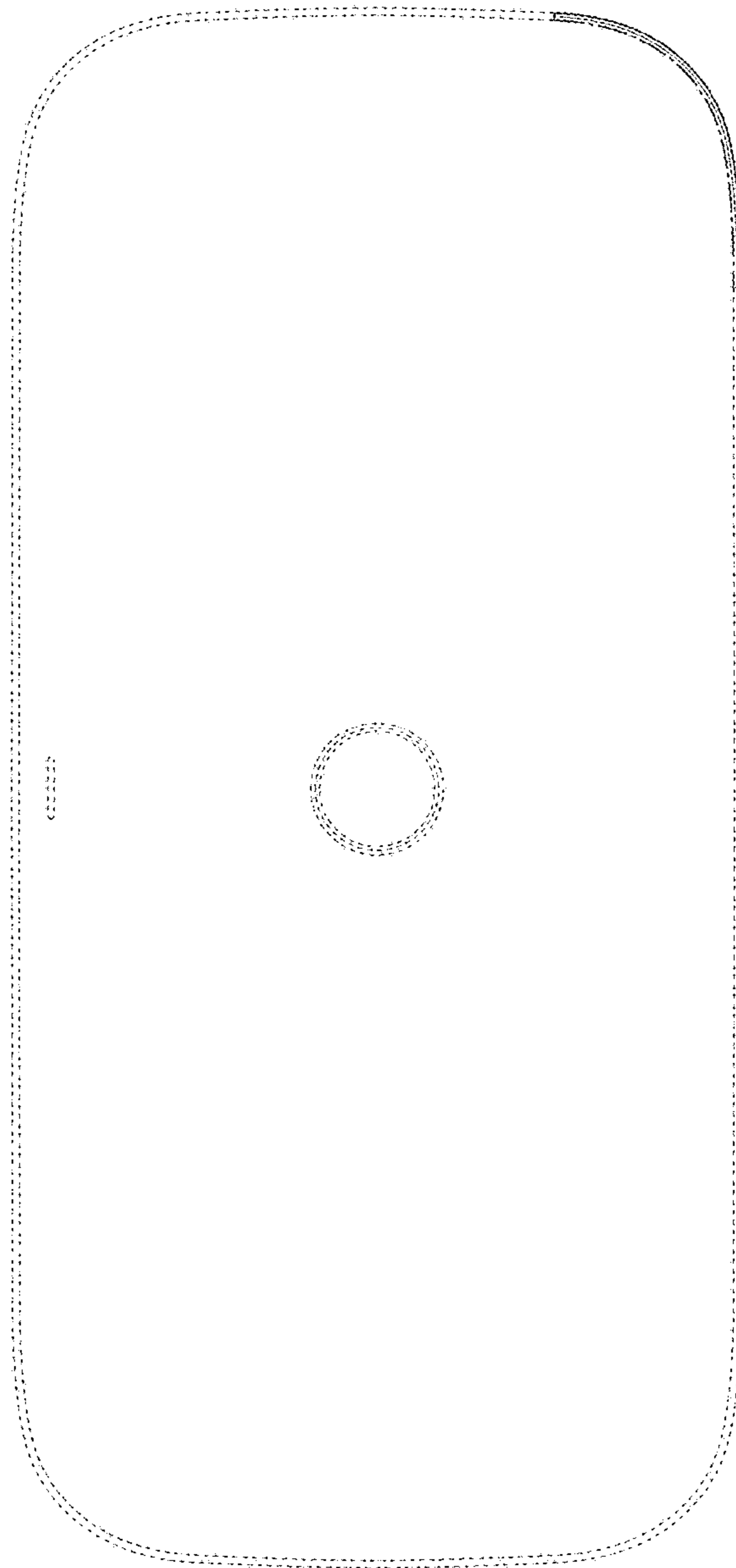


FIG. 6

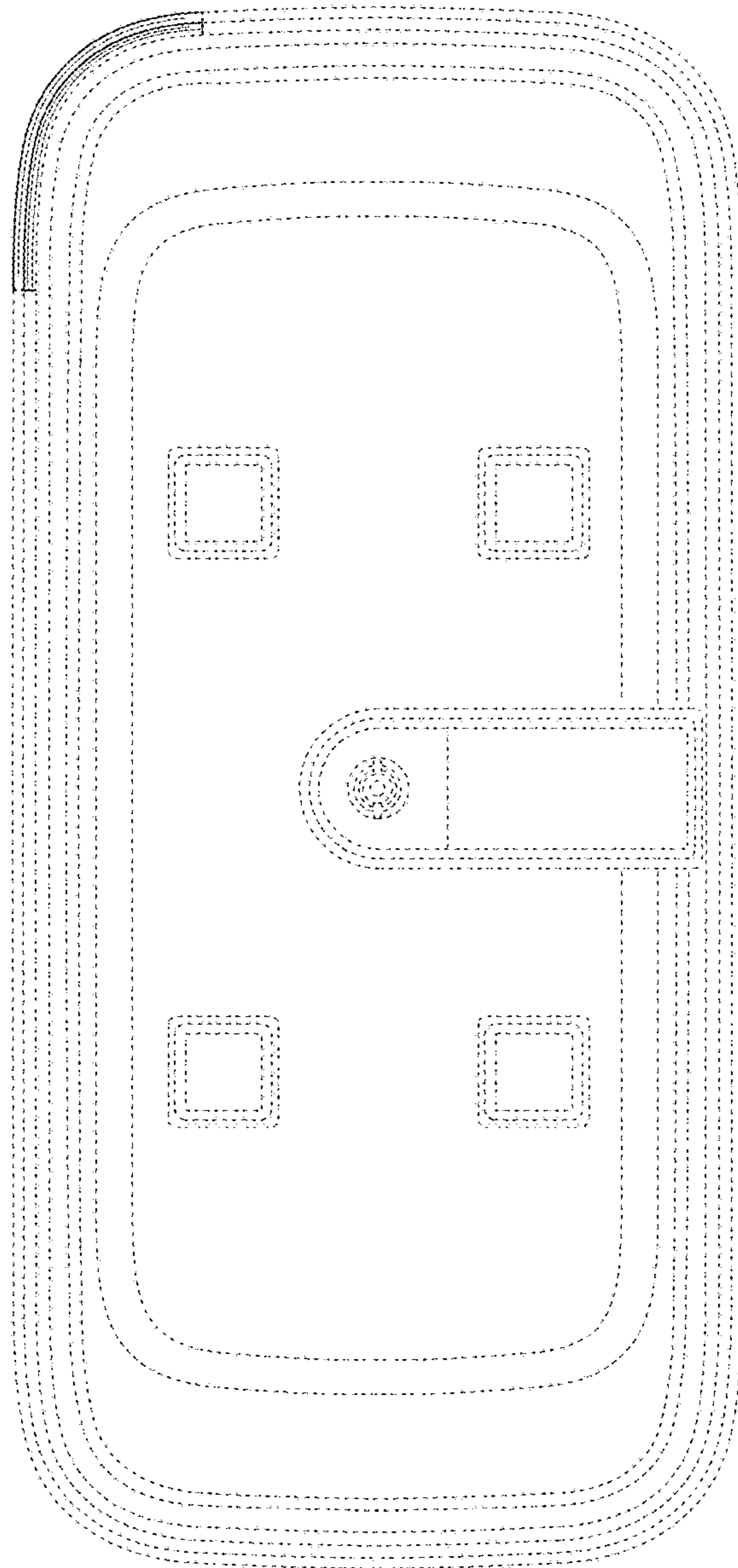


FIG. 7