



US00D837954S

(12) **United States Design Patent**  
**Goad**

(10) **Patent No.:** **US D837,954 S**  
(45) **Date of Patent:** **\*\* Jan. 8, 2019**

- (54) **TOILET**
- (71) Applicant: **Kohler Co.**, Kohler, WI (US)
- (72) Inventor: **Robin A. Goad**, Sheboygan, WI (US)
- (73) Assignee: **KOHLER CO.**, Kohler, WI (US)
- (\*\*) Term: **15 Years**

- D496,442 S 9/2004 Bates
- D496,443 S 9/2004 Bates
- D536,428 S 2/2007 Kohler, Jr. et al.
- D536,771 S 2/2007 Chenesseau
- D647,184 S 10/2011 Bates
- D657,852 S 4/2012 Vanderheyden et al.
- D670,368 S 11/2012 Vanderheyden
- D688,356 S 8/2013 Mendoza
- D710,979 S 8/2014 Spangler

- (21) Appl. No.: **29/658,086**
- (22) Filed: **Jul. 27, 2018**

**Related U.S. Application Data**

- (62) Division of application No. 29/635,834, filed on Feb. 2, 2018, now Pat. No. Des. 827,109, which is a division of application No. 29/553,403, filed on Feb. 1, 2016, now Pat. No. Des. 812,729, which is a division of application No. 29/517,725, filed on Feb. 16, 2015, now Pat. No. Des. 762,829.

- (51) **LOC (11) Cl.** ..... **23-02**
- (52) **U.S. Cl.**

USPC ..... **D23/295**

- (58) **Field of Classification Search**
- USPC ..... D23/295, 301, 303, 309, 313
- CPC ..... E03D 1/00; E03D 1/01; E03D 11/02
- See application file for complete search history.

- (56) **References Cited**

**U.S. PATENT DOCUMENTS**

- D268,779 S 4/1983 Doman
- D332,137 S 12/1992 Kohler, Jr. et al.
- D387,858 S 12/1997 McKeone
- D415,563 S 10/1999 McKeone
- D441,437 S 5/2001 McKeone
- D444,864 S 7/2001 McKeone
- D451,175 S 11/2001 Smith
- D455,822 S 4/2002 McKeone
- D484,579 S 12/2003 Bennie

**OTHER PUBLICATIONS**

Kohler 2014 Fixtures Price Book, pp. 314-336.

*Primary Examiner* — Robert A Delehanty

(74) *Attorney, Agent, or Firm* — Foley & Lardner LLP

(57) **CLAIM**

I claim the ornamental design for a toilet, as shown and described.

**DESCRIPTION**

FIG. 1 is a perspective view of an embodiment of the claimed design;

FIG. 2 is a side view of the embodiment shown in FIG. 1;

FIG. 3 is another side view of the embodiment shown in FIG. 1;

FIG. 4 is a front view of the embodiment shown in FIG. 1;

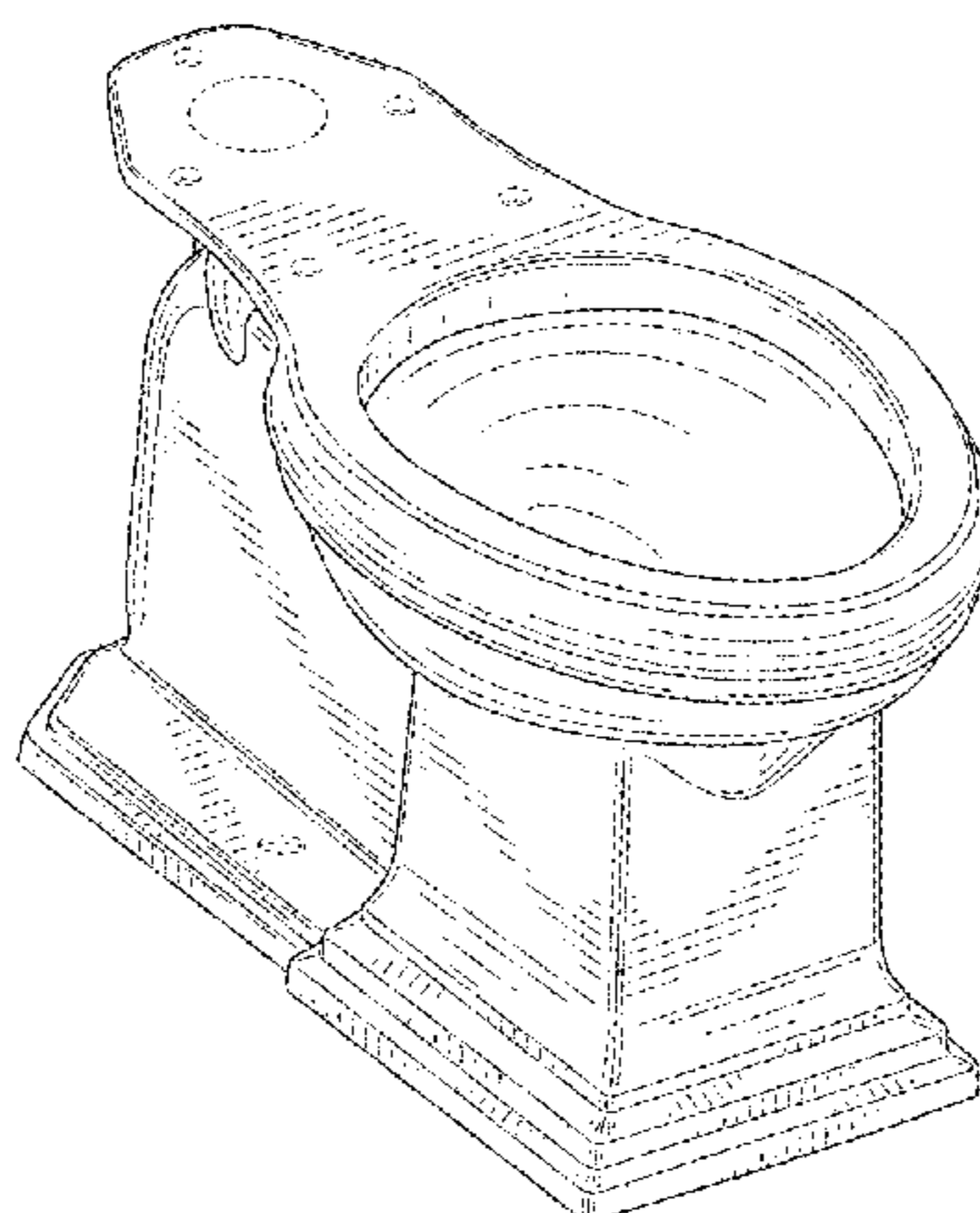
FIG. 5 is a rear view of the embodiment shown in FIG. 1;

FIG. 6 is a top view of the embodiment shown in FIG. 1; and,

FIG. 7 is a bottom view of the embodiment shown in FIG. 1.

The ornamental design that is claimed is shown in the drawings as solid lines and surfaces having surface shading. The broken lines in the drawings are for illustrative purposes only and form no part of the claimed design. For example, broken lines formed by equal length dashes show unclaimed portions of the design.

**1 Claim, 7 Drawing Sheets**



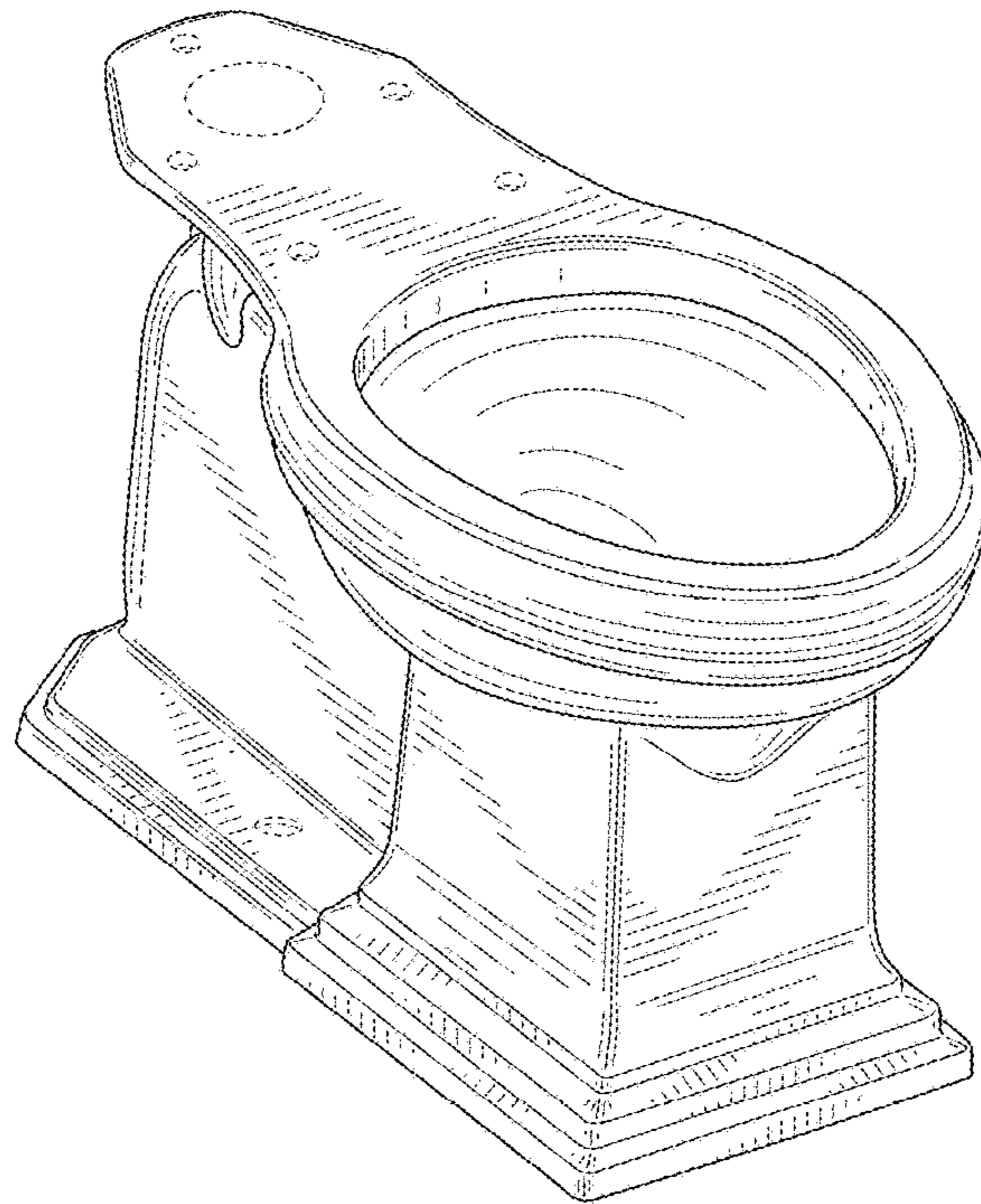


FIG. 1

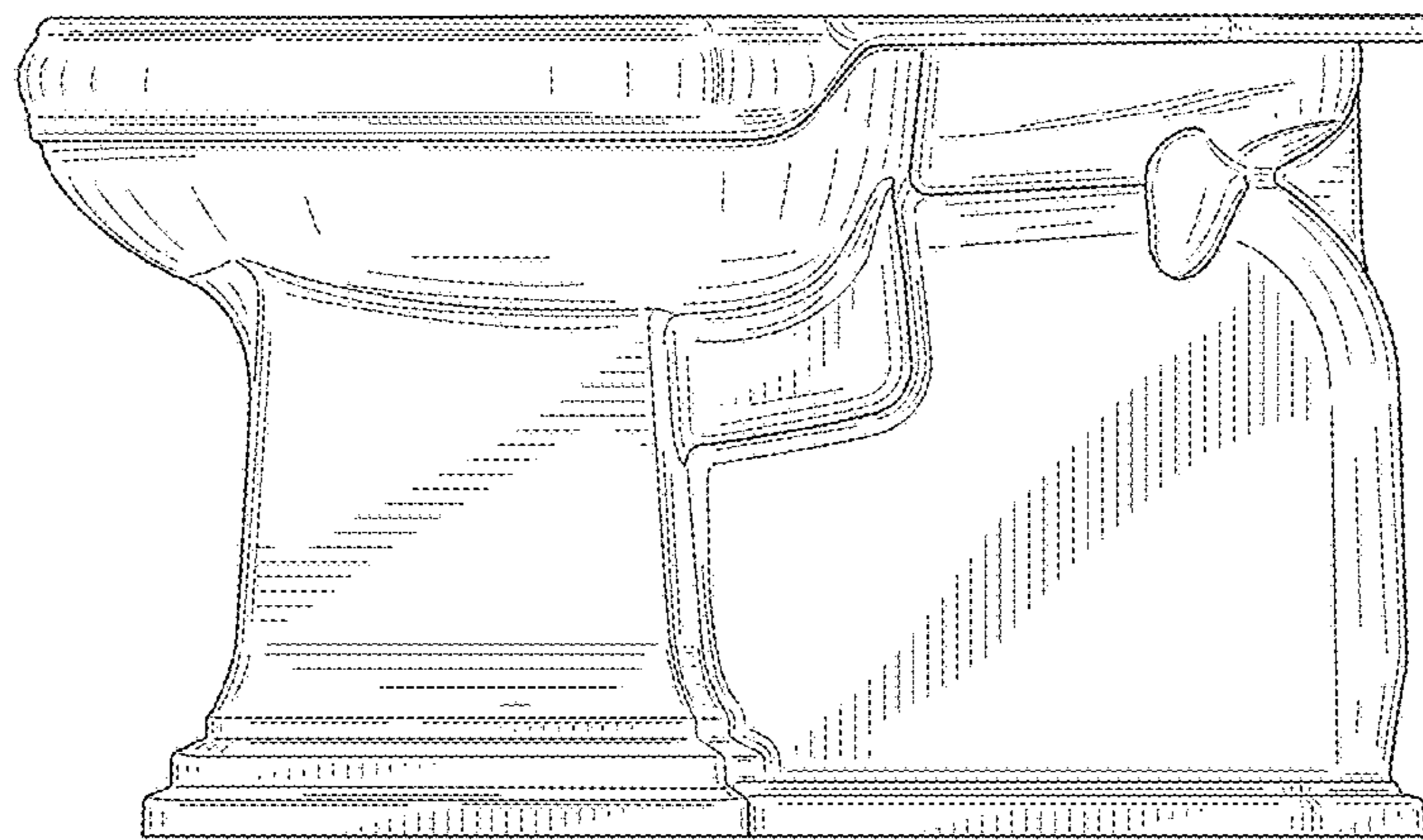


FIG. 2

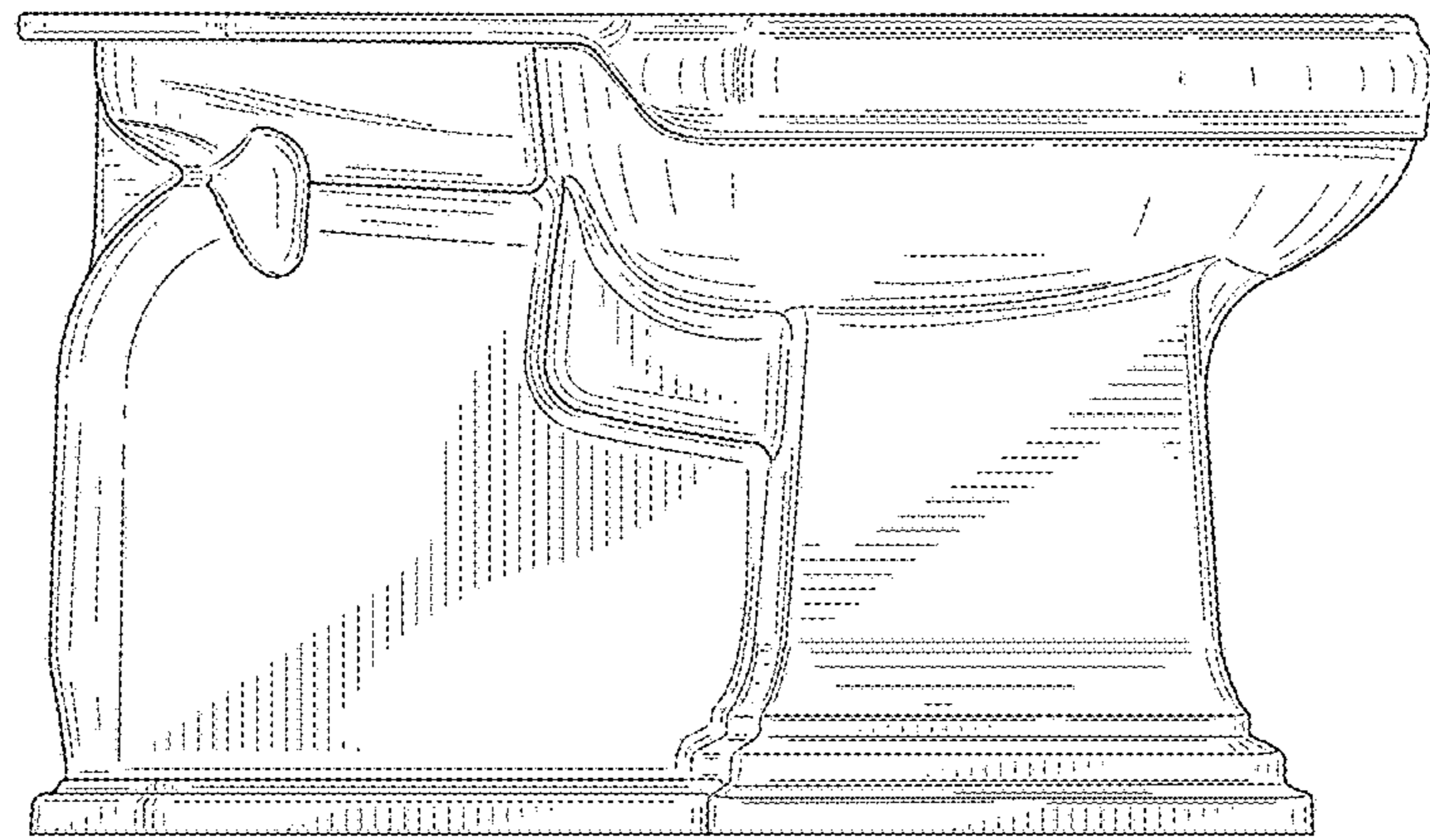


FIG. 3

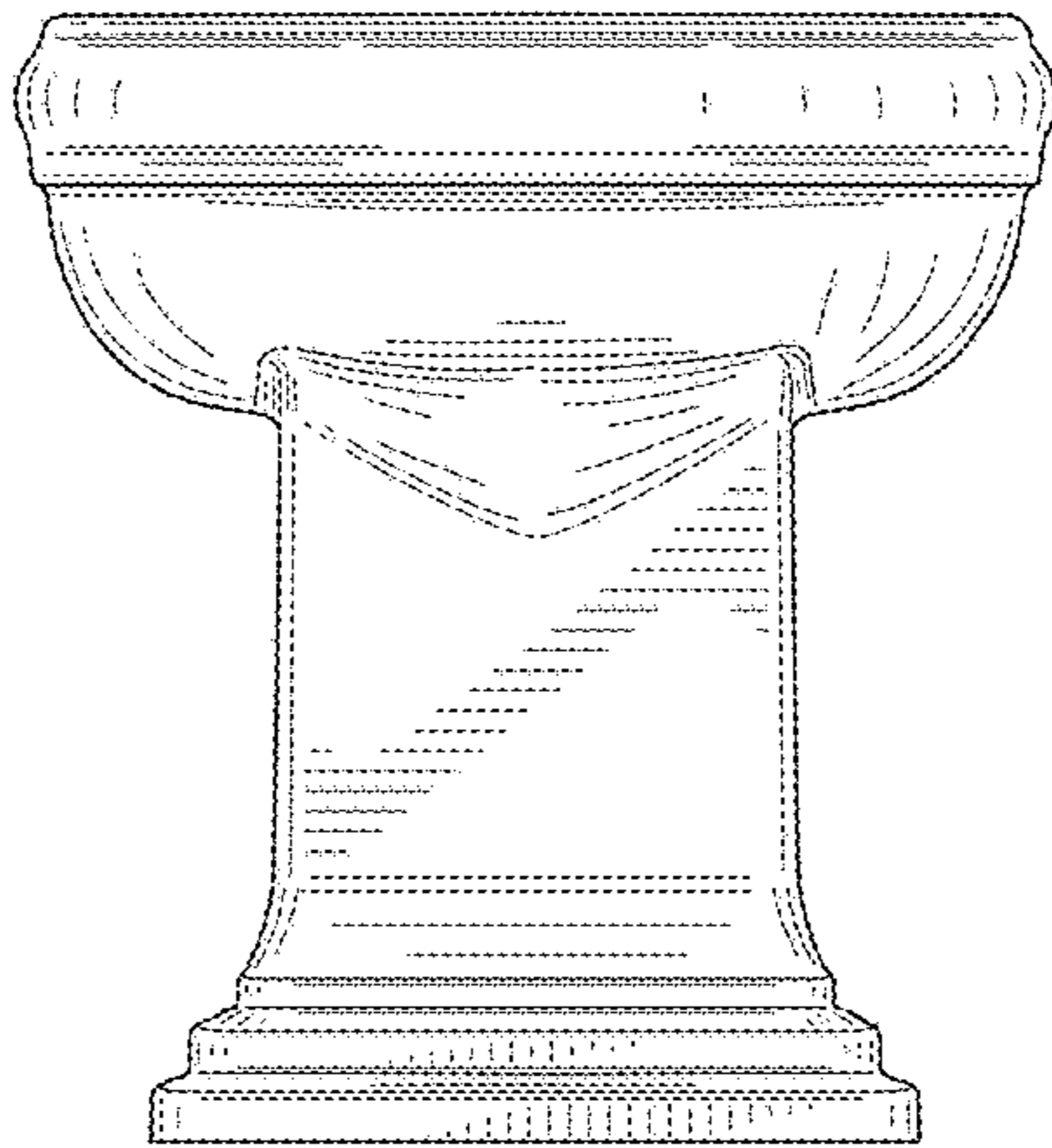


FIG. 4

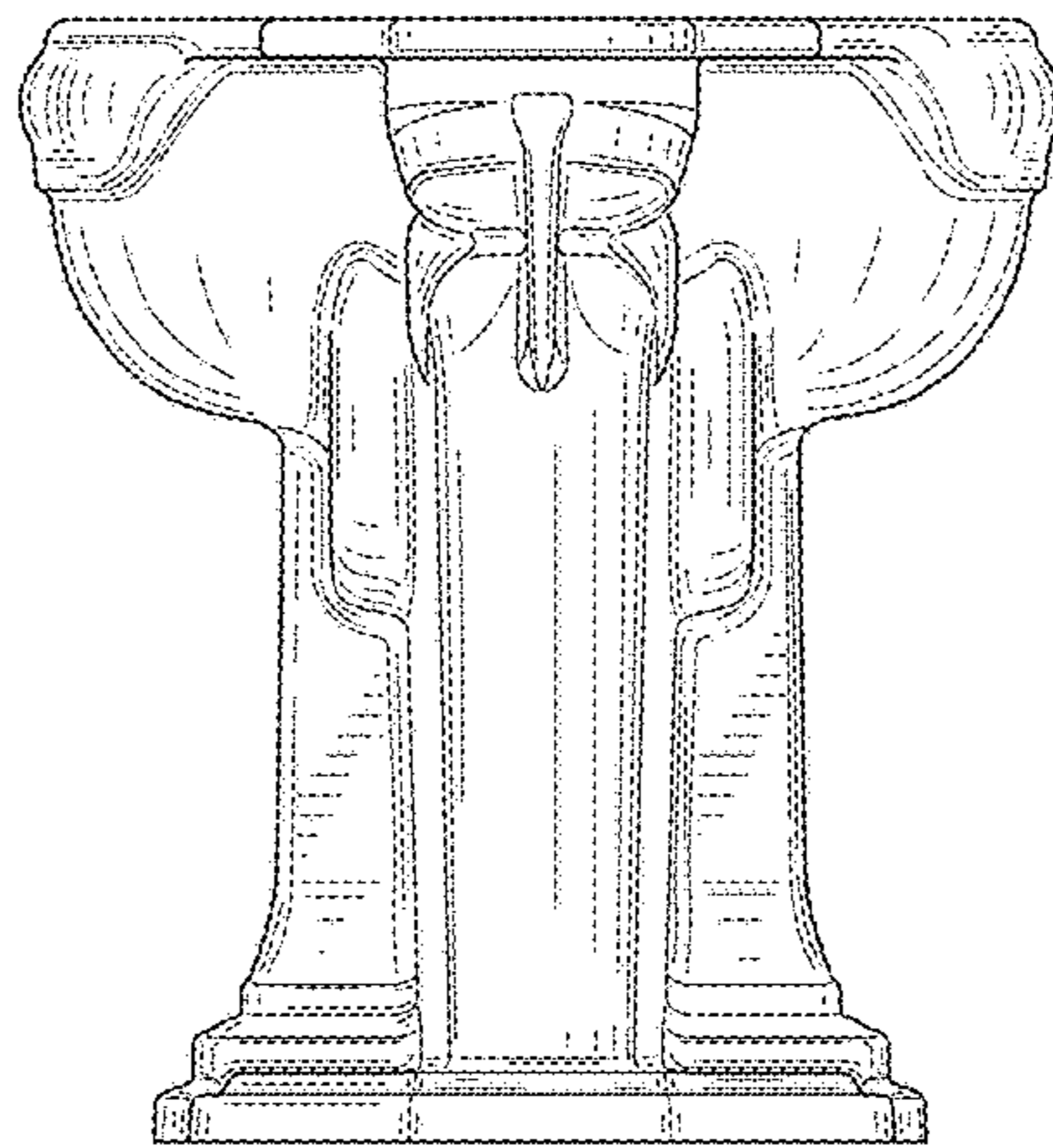


FIG. 5



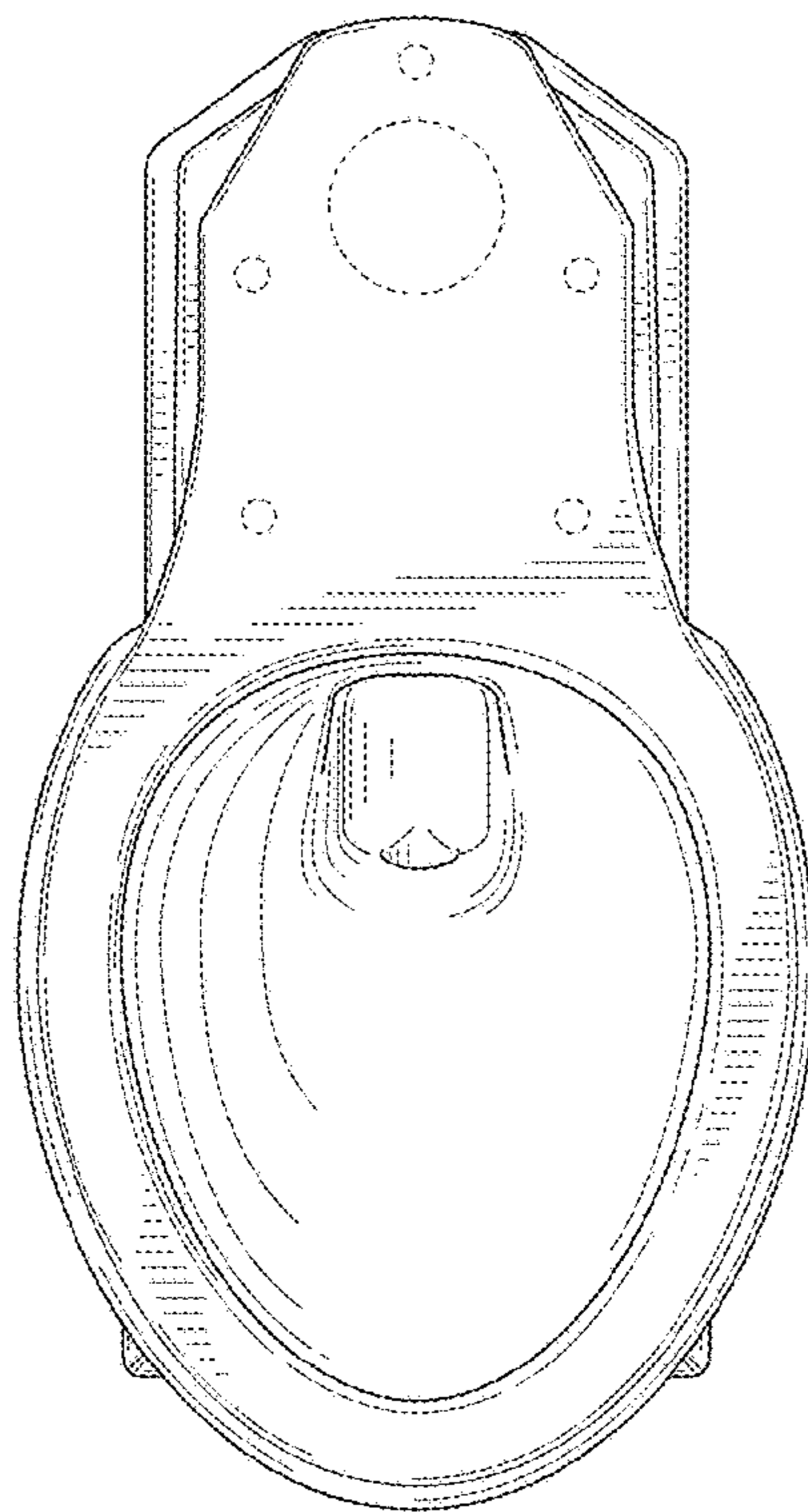


FIG. 6

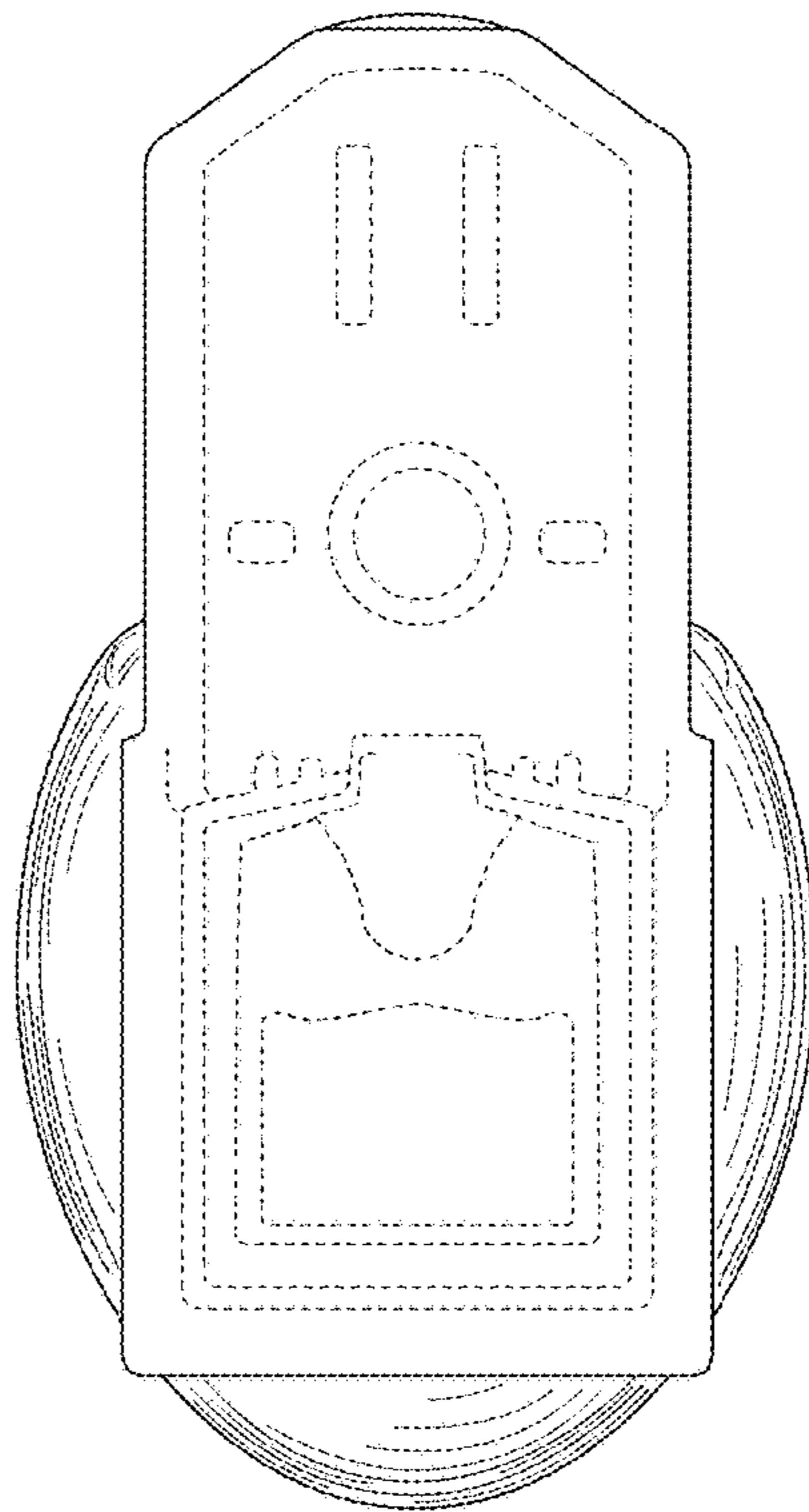


FIG. 7