



US00D837951S

(12) **United States Design Patent**  
**Morlet**

(10) **Patent No.:** **US D837,951 S**

(45) **Date of Patent:** **\*\* Jan. 8, 2019**

(54) **P-TRAP WITH TELESCOPING WASTE AND EXTENSION**

(71) Applicant: **COFLEX S.A. DE C.V.**, Monterrey (MX)

(72) Inventor: **Andres Rodrigo Garcia Morlet**, Nuevo Leon (MX)

(73) Assignee: **Corflex S.A de C.V.**, Monterrey, Nuevo Leon (MX)

(\*\*) Term: **15 Years**

(21) Appl. No.: **29/593,967**

(22) Filed: **Feb. 14, 2017**

(30) **Foreign Application Priority Data**

Aug. 17, 2016 (MX) ..... MX/f/2016/002533

(51) **LOC (11) Cl.** ..... **23-01**

(52) **U.S. Cl.**  
USPC ..... **D23/266**

(58) **Field of Classification Search**  
USPC ..... D23/259, 262–268; 138/121, 155, 167, 138/177; 4/679, 681, 675, 680, 686, 689, 4/695, 302; 285/121.1, 121.2, 124.1, 285/124.5, 134.1, 179, 179.1  
CPC ..... F16L 59/11; F16L 59/168; E03C 1/20; E03C 1/24; E03C 1/28; E03C 1/232; E03C 1/284  
See application file for complete search history.

(56) **References Cited**

**U.S. PATENT DOCUMENTS**

4,403,355 A \* 9/1983 Petty ..... E03C 1/20  
4/661  
D295,780 S \* 5/1988 Thomas ..... D23/268

5,090,744 A \* 2/1992 Hagiwara ..... F16L 27/06  
285/181  
5,341,830 A \* 8/1994 Helmsderfer ..... E03C 1/12  
137/15.08  
D351,899 S \* 10/1994 Isber ..... D23/268  
(Continued)

*Primary Examiner* — Eric L Goodman  
*Assistant Examiner* — Amy C Wierenga

(74) *Attorney, Agent, or Firm* — Baker & McKenzie LLP

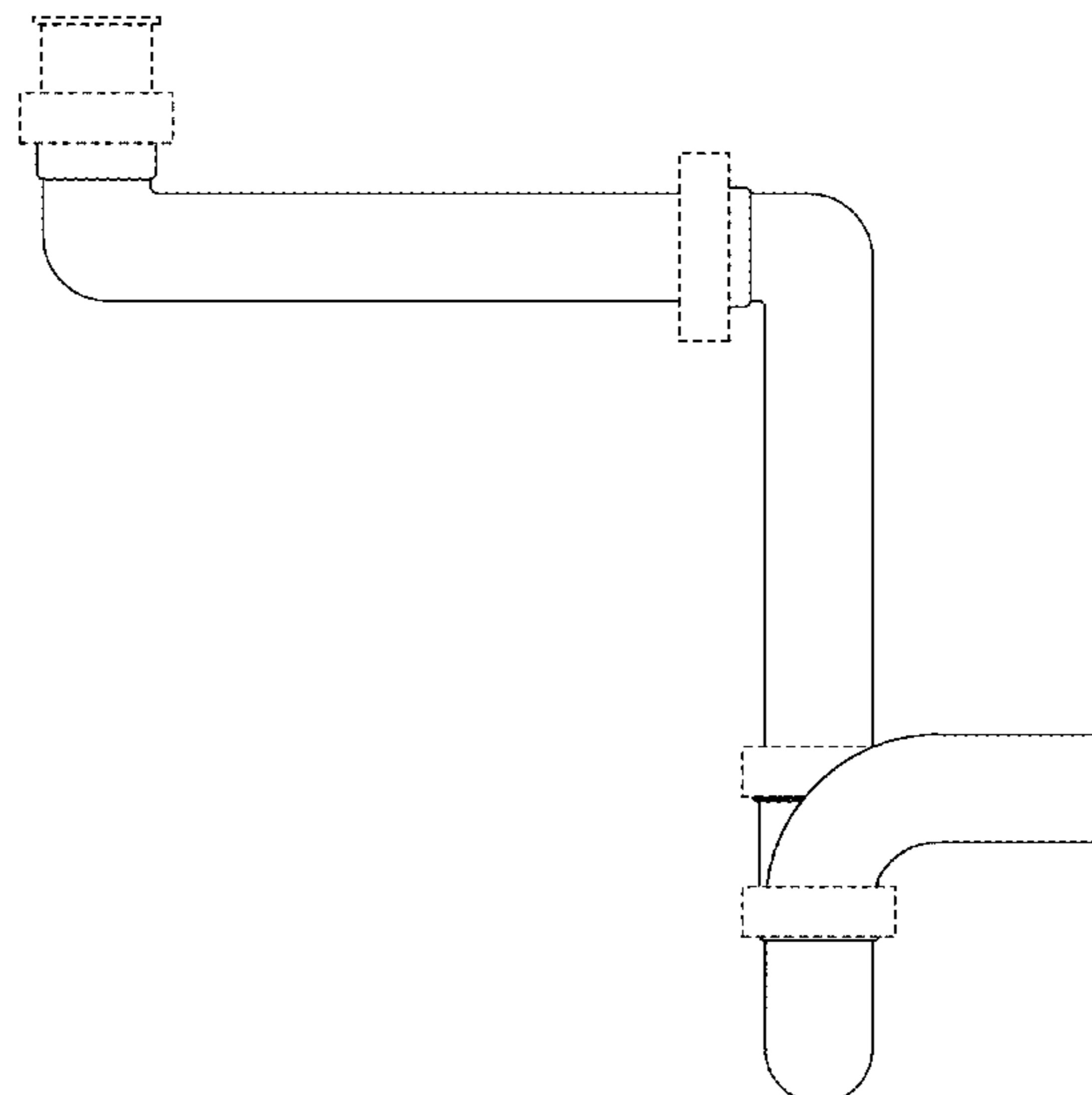
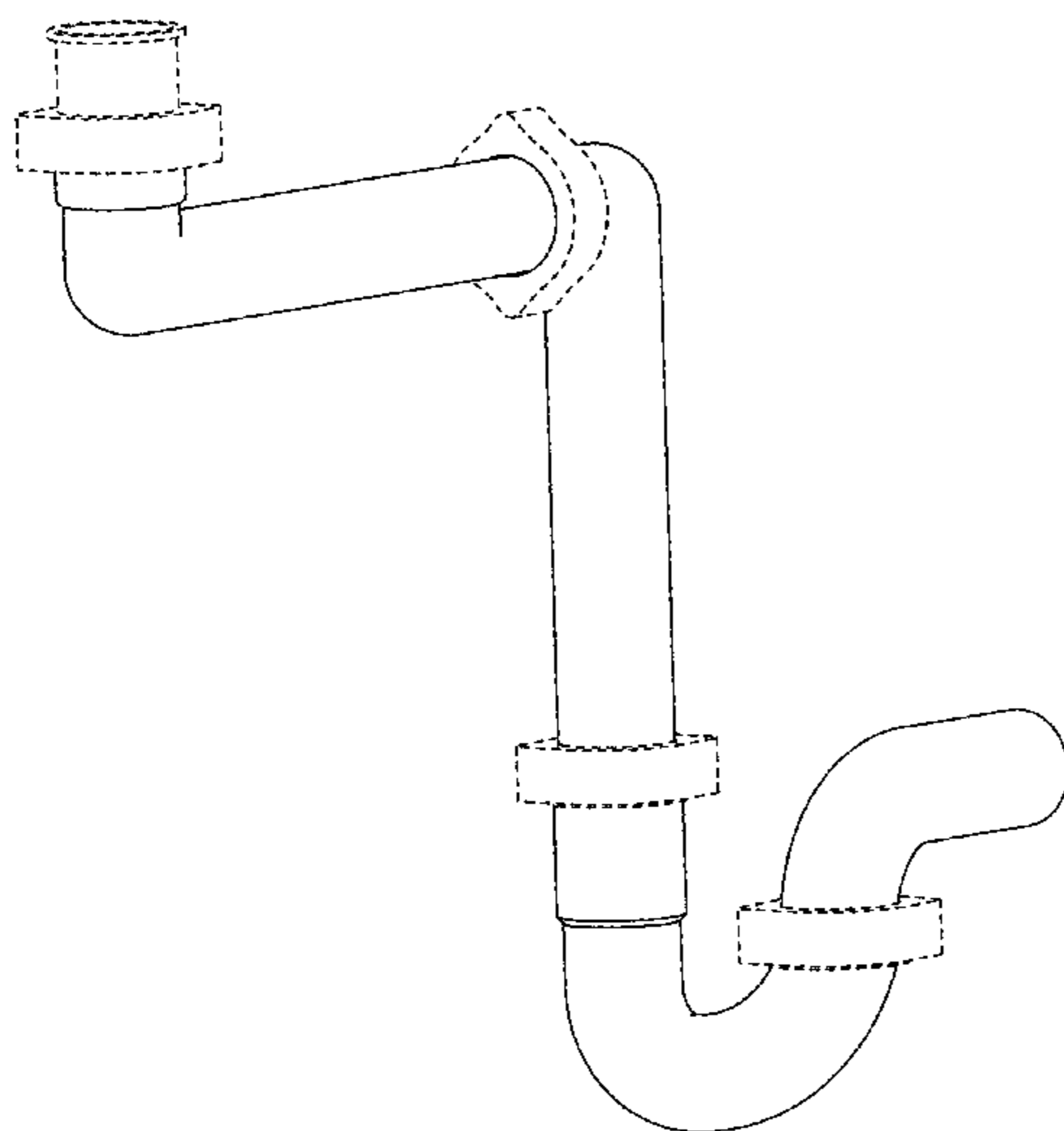
(57) **CLAIM**

The ornamental design for a p-trap with telescoping waste and extension, as shown and described.

**DESCRIPTION**

FIG. 1 is a perspective view of a p-trap with telescoping waste and extension in accordance with my design; FIG. 2 is a top view of the p-trap with telescoping waste and extension shown in FIG. 1; FIG. 3 is a rear view of the p-trap with telescoping waste and extension shown in FIG. 1; FIG. 4 is a bottom view of the p-trap with telescoping waste and extension shown in FIG. 1; FIG. 5 is a left side view of the p-trap with telescoping waste and extension shown in FIG. 1; FIG. 6 is a right side view of the p-trap with telescoping waste and extension shown in FIG. 1; FIG. 7 is a front view of the p-trap with telescoping waste and extension shown in FIG. 1; FIG. 8 is a perspective view of the p-trap with telescoping waste and extension shown in FIG. 1 coupled to a sink; FIG. 9 is a perspective view of the p-trap with telescoping waste and extension shown in FIG. 1 with a vertical extension; and, FIG. 10 is a side view of the p-trap with telescoping waste and extension shown in FIG. 1 with a horizontal extension. The broken-line disclosure of elements is understood to represent portions of the article in which the design is embodied, but which form no part of the claimed design.

**1 Claim, 10 Drawing Sheets**



(56)

**References Cited**

U.S. PATENT DOCUMENTS

5,360,031 A \* 11/1994 Trueb ..... F16L 59/11  
 137/375  
 D370,964 S \* 6/1996 Horvath ..... D23/262  
 5,685,328 A \* 11/1997 Helmsderfer ..... F16L 59/021  
 137/15.01  
 5,795,623 A \* 8/1998 Helmsderfer ..... E03C 1/12  
 138/145  
 5,913,325 A \* 6/1999 Helmsderfer ..... E03C 1/12  
 137/15.08  
 6,012,480 A \* 1/2000 Helmsderfer ..... F16L 7/00  
 137/247.49  
 6,687,926 B1 \* 2/2004 Bayley ..... E03C 1/22  
 4/681  
 7,596,865 B1 \* 10/2009 Ling ..... F16L 19/065  
 29/428  
 7,921,482 B2 \* 4/2011 Shafik ..... E03C 1/122  
 4/681  
 D659,809 S \* 5/2012 Smith ..... D23/268  
 D675,298 S \* 1/2013 Gridley ..... G09B 25/02  
 D23/266  
 2003/0042736 A1 \* 3/2003 Vila ..... E03C 1/184  
 285/134.1  
 2008/0148477 A1 \* 6/2008 Shafik ..... E03C 1/122  
 4/679  
 2011/0154566 A1 \* 6/2011 Shafik ..... E03C 1/122  
 4/680

\* cited by examiner

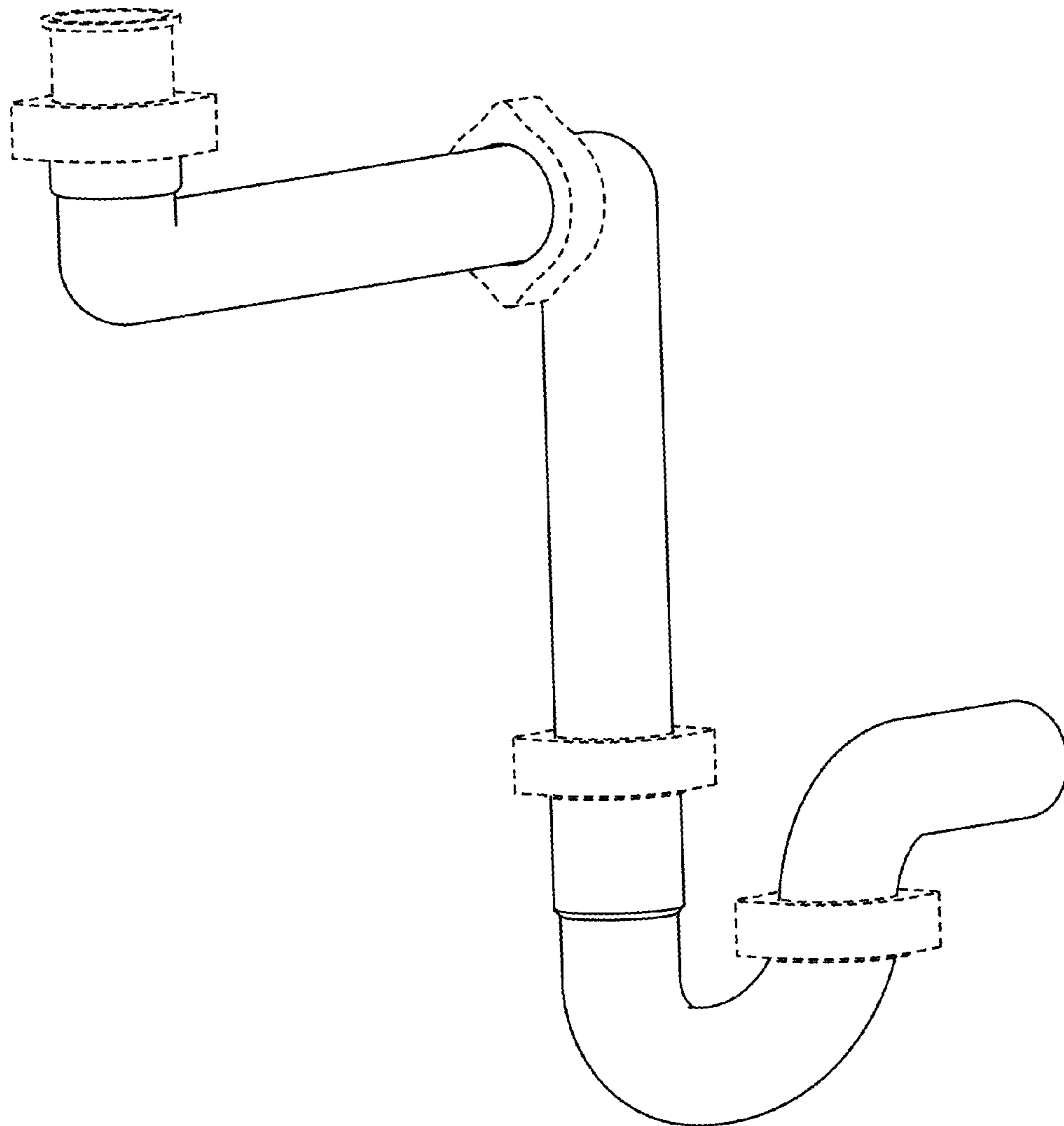


FIG. 1

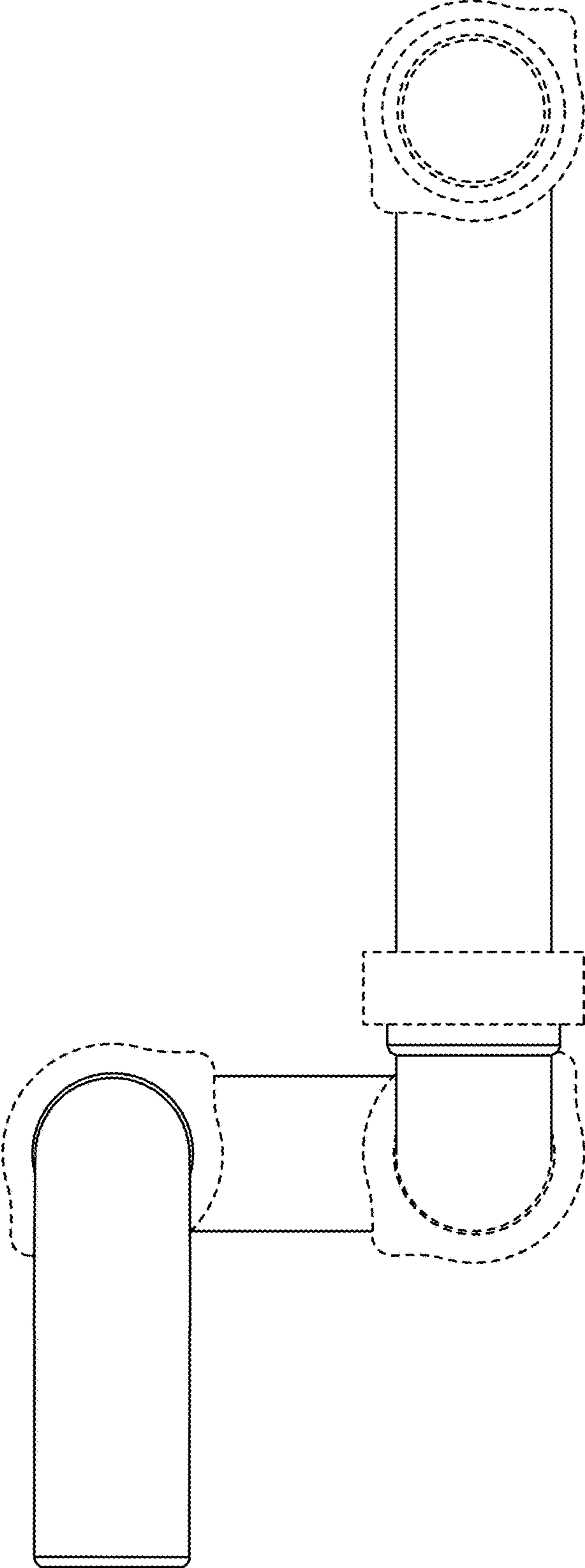


FIG. 2

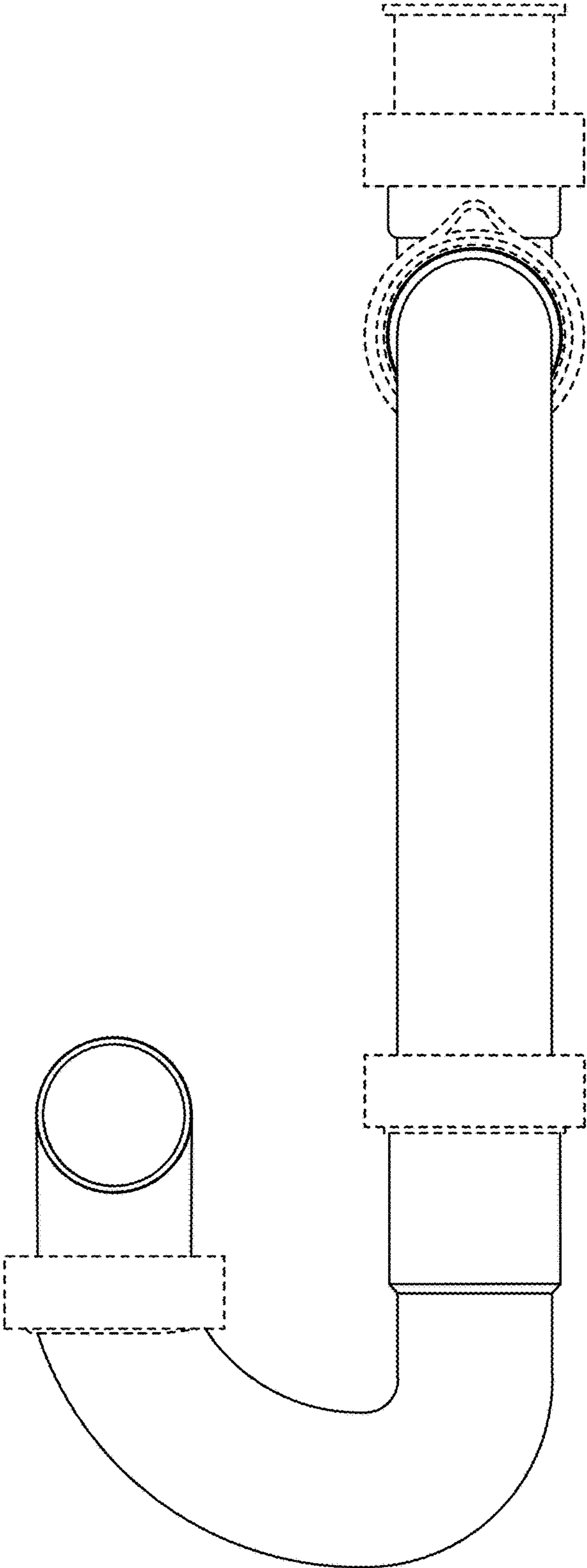


FIG. 3

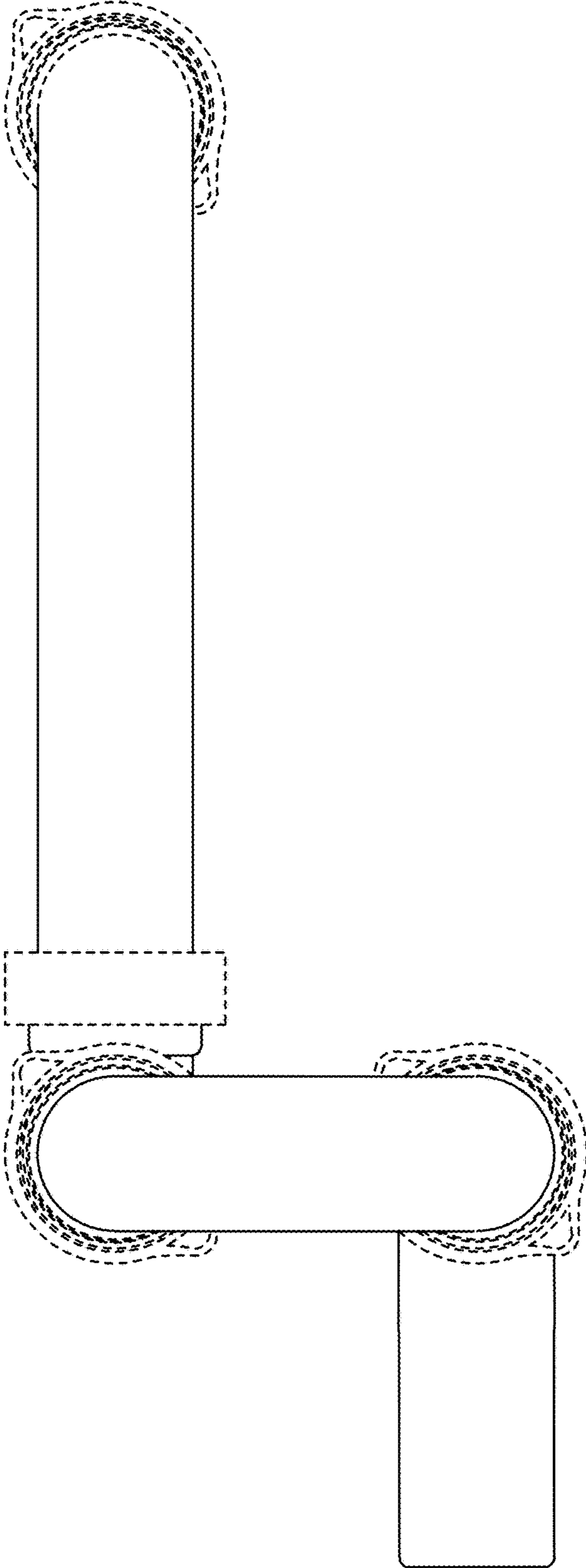


FIG. 4

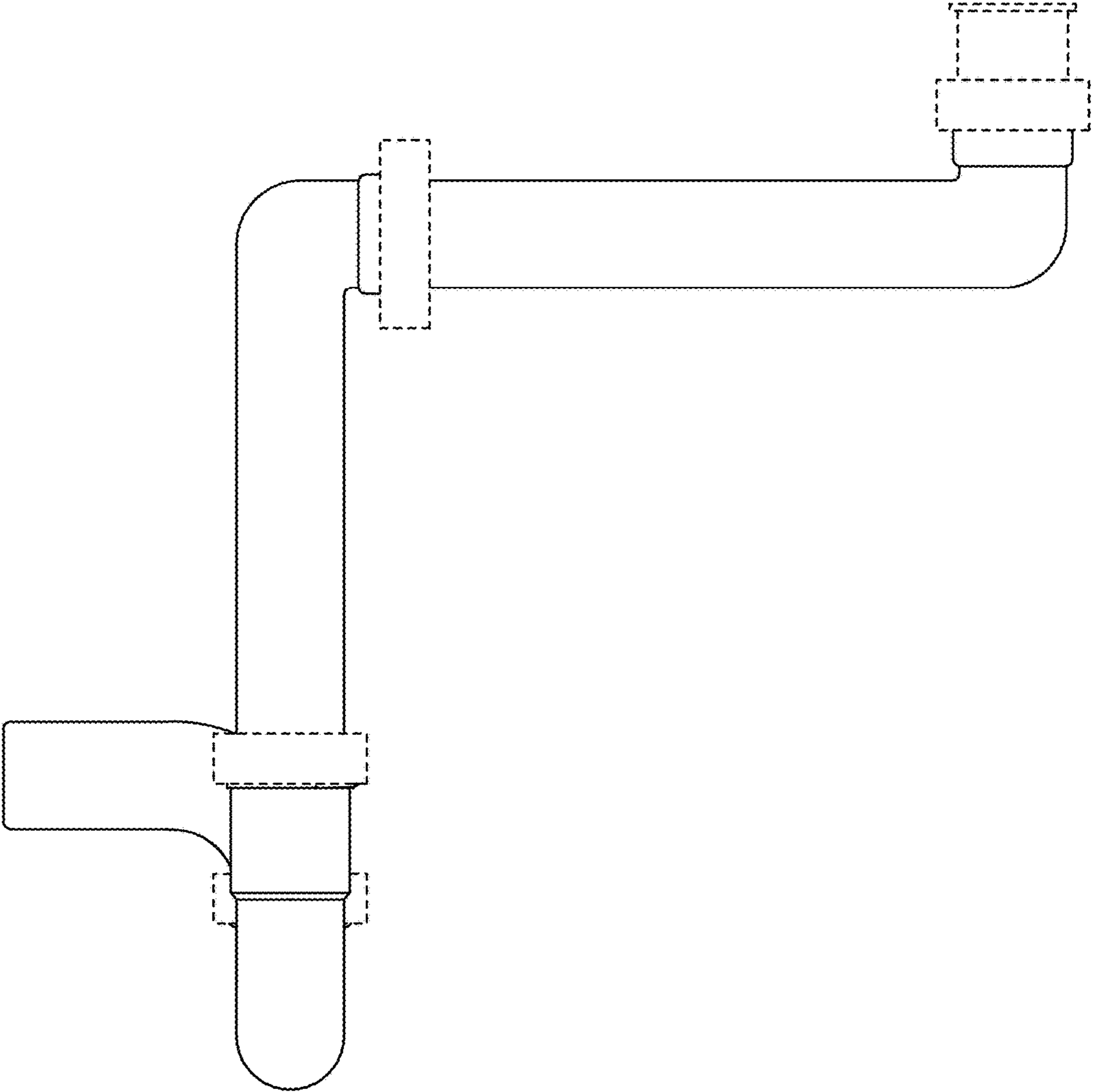


FIG. 5

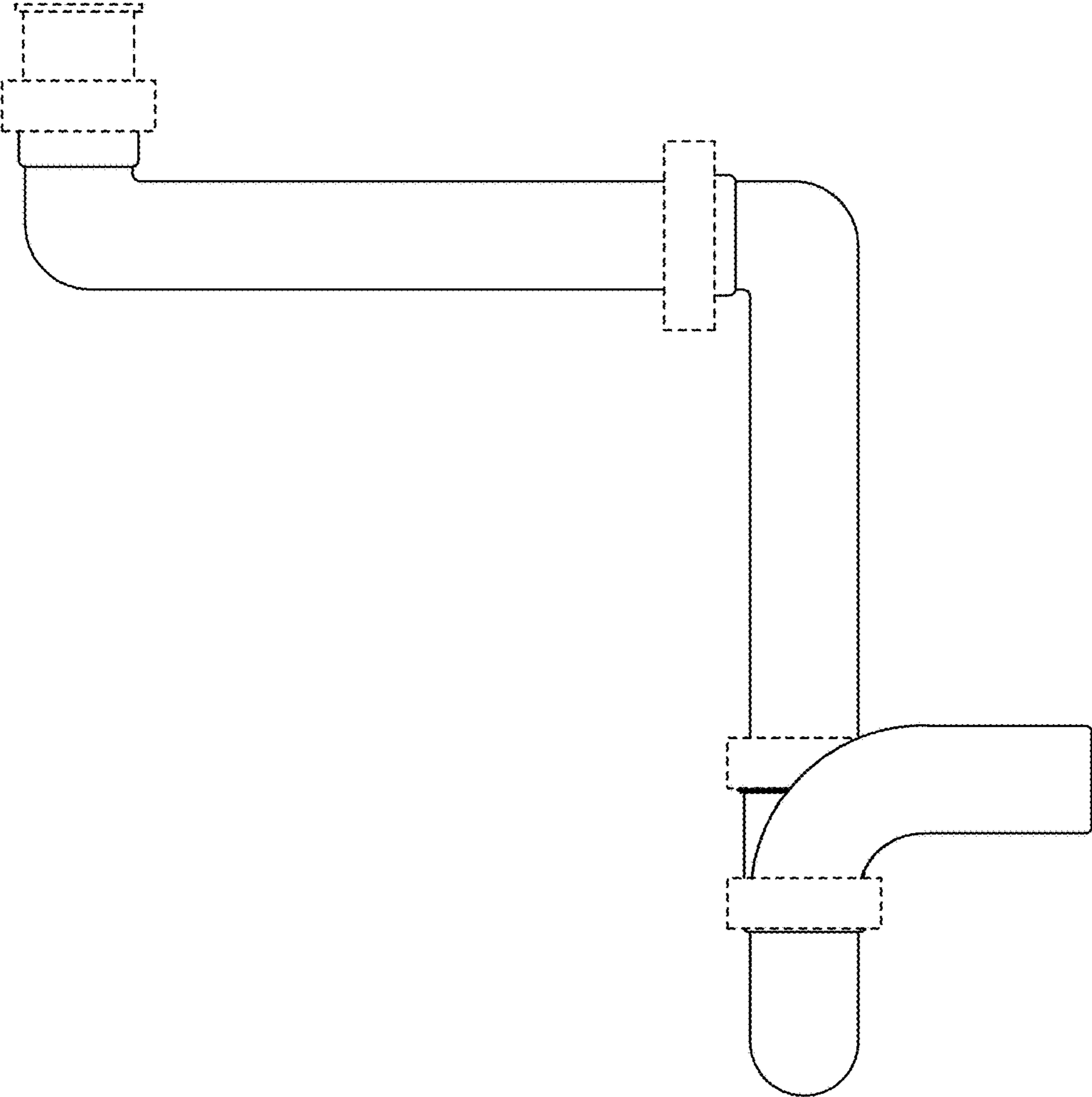


FIG. 6



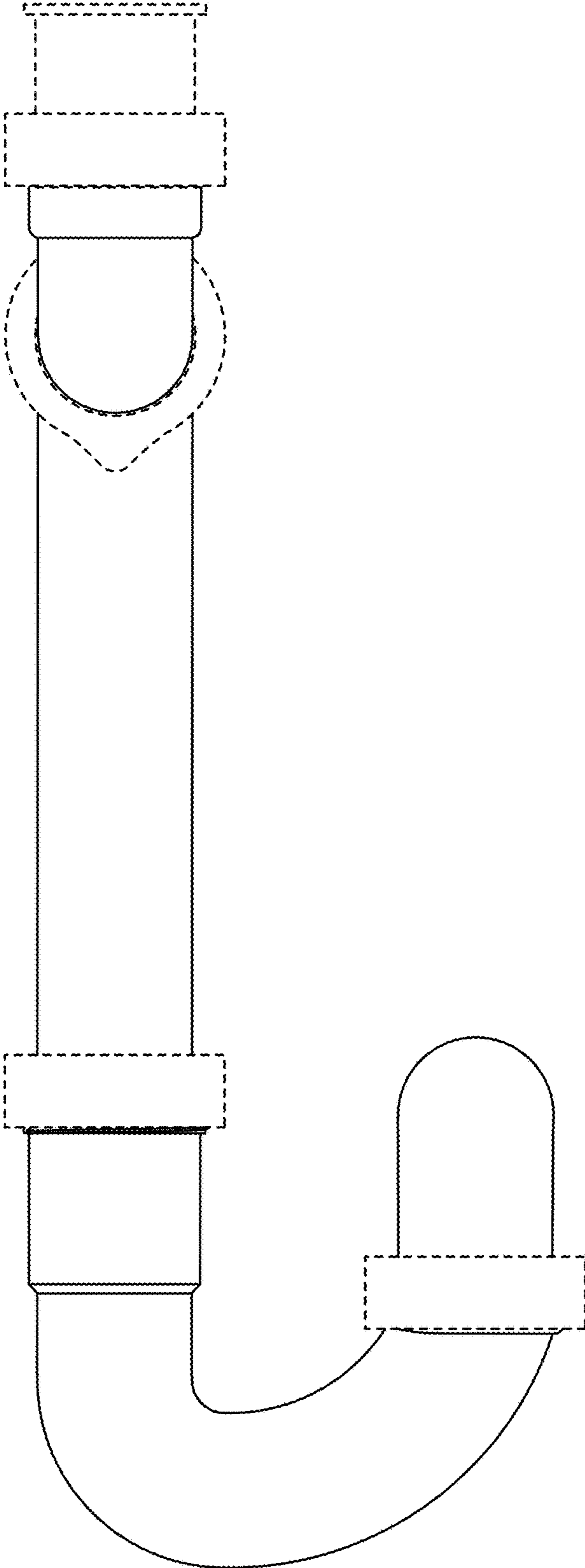


FIG. 7

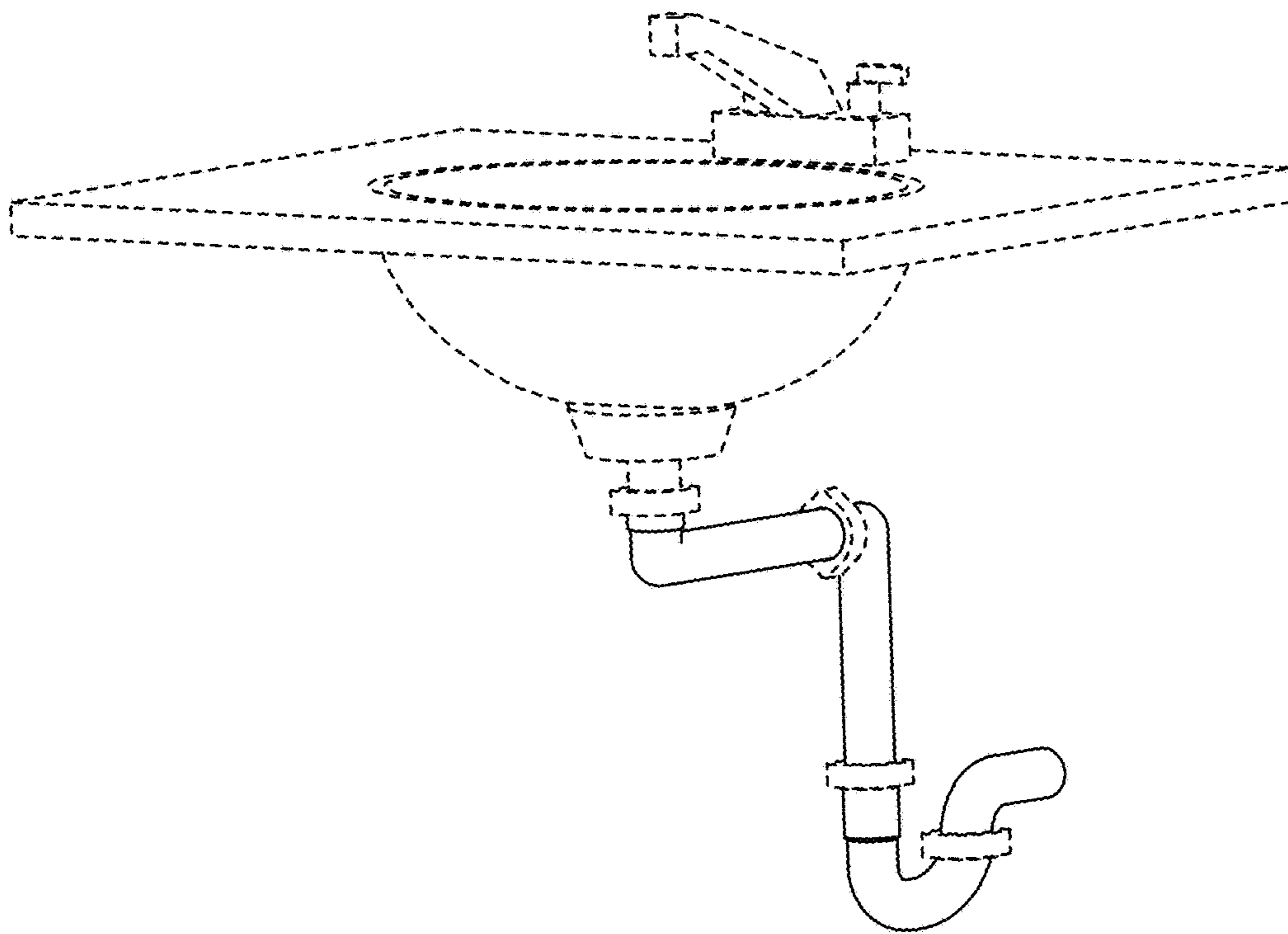


FIG. 8

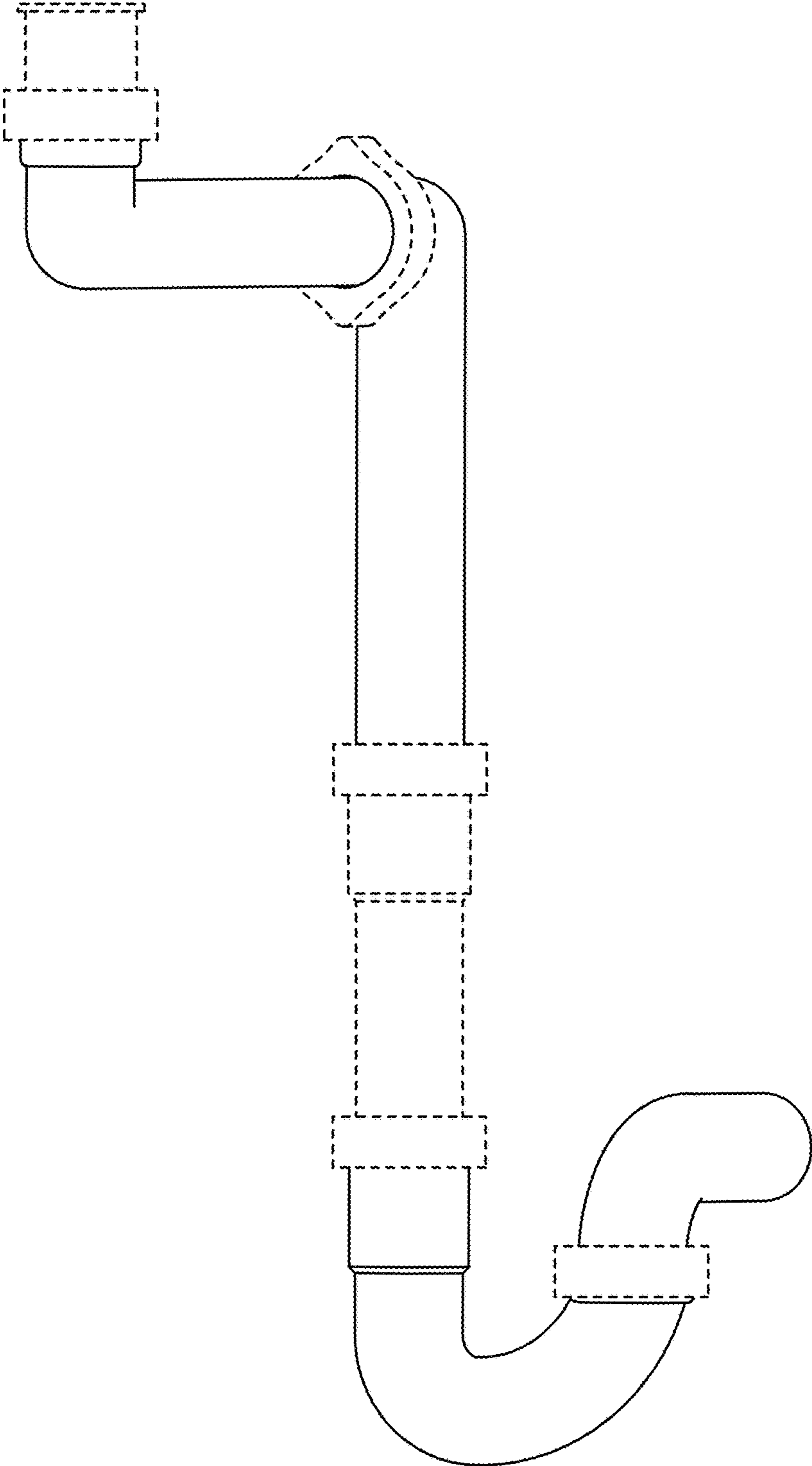


FIG. 9

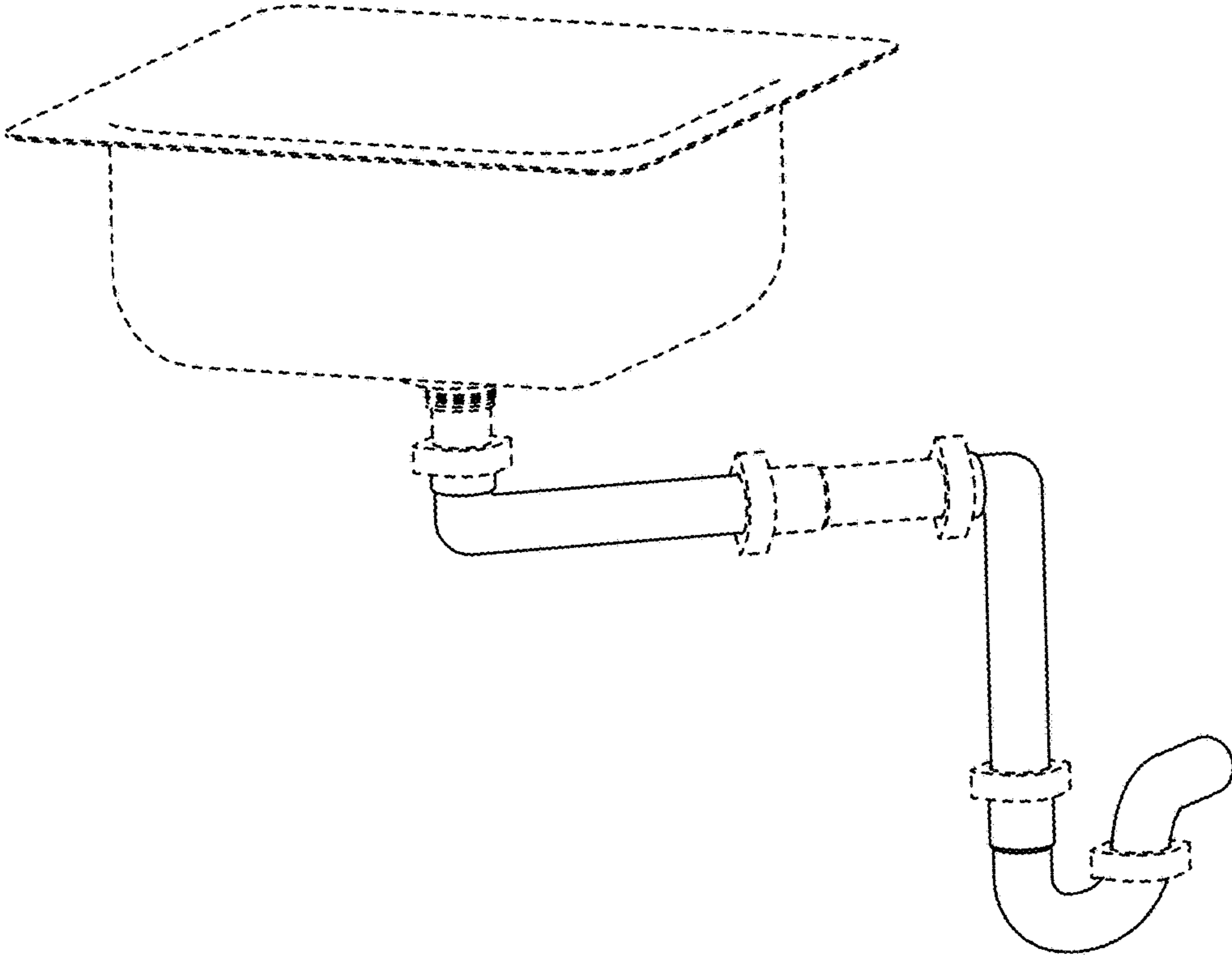


FIG. 10