



US00D837950S

(12) **United States Design Patent**
Santos

(10) **Patent No.:** **US D837,950 S**

(45) **Date of Patent:** **** Jan. 8, 2019**

(54) **DRAIN GREASE CONTAINER WALLED RIM**

(71) Applicant: **Shawn Alan Santos**, Honolulu, HI (US)

(72) Inventor: **Shawn Alan Santos**, Honolulu, HI (US)

(**) Term: **15 Years**

(21) Appl. No.: **29/568,337**

(22) Filed: **Jun. 16, 2016**

(51) **LOC (11) Cl.** **23-01**

(52) **U.S. Cl.**
USPC **D23/261**

(58) **Field of Classification Search**

USPC D23/259–263, 266–269, 233; 251/215,
251/216; 285/369, 372, 373, 417, 133.11,
285/133.3, 133.21, 133.4, 133.5, 133.6;
137/247, 247.41, 247.51

CPC F16L 11/00; F16L 37/252; F16L 41/007;
E03C 1/26; E03C 1/262; E03C 1/28;
E03F 5/04; A61B 5/00; A61M 25/09016

See application file for complete search history.

(56) **References Cited**

U.S. PATENT DOCUMENTS

3,525,105	A *	8/1970	Richards	E03C 1/262 4/287
3,802,001	A *	4/1974	Richards	E03C 1/262 4/286
4,505,814	A *	3/1985	Marshall	E04D 13/0409 210/166
D299,522	S *	1/1989	Chalberg	D23/261
5,592,701	A *	1/1997	Smith	A47K 1/14 4/287
5,618,415	A *	4/1997	Johnson, Jr.	B01D 33/04 210/158
D466,198	S *	11/2002	Mullings	D23/261
6,588,029	B2 *	7/2003	Mullings	E04H 4/1236 4/286
D550,819	S *	9/2007	Seehoff	D23/261

D563,529	S *	3/2008	Labonte	D23/261
7,490,375	B2 *	2/2009	Luk	E03C 1/264 210/238
D599,444	S *	9/2009	Jones	D23/261
7,964,095	B1 *	6/2011	Graybeal	E03F 5/04 210/164
8,117,685	B2 *	2/2012	Escobar	E03C 1/262 4/286
D672,438	S *	12/2012	Noel	D23/261
D673,246	S *	12/2012	Lee	D23/260

(Continued)

Primary Examiner — Sandra Snapp

(74) *Attorney, Agent, or Firm* — Steven R. Gray; Holland & Hart LLP

(57) **CLAIM**

The ornamental design for a drain grease container walled rim, as shown and described.

DESCRIPTION

FIG. 1 is a perspective view of my new design for a drain grease container walled rim.

FIG. 2 is a quarter-rotated side view, of which a three-quarter-rotated side view is a mirror image thereof, of the container rim in FIG. 1.

FIG. 3 is a frontal side view, of which a half-rotated side view is a mirror image thereof, of the container rim in FIG. 1.

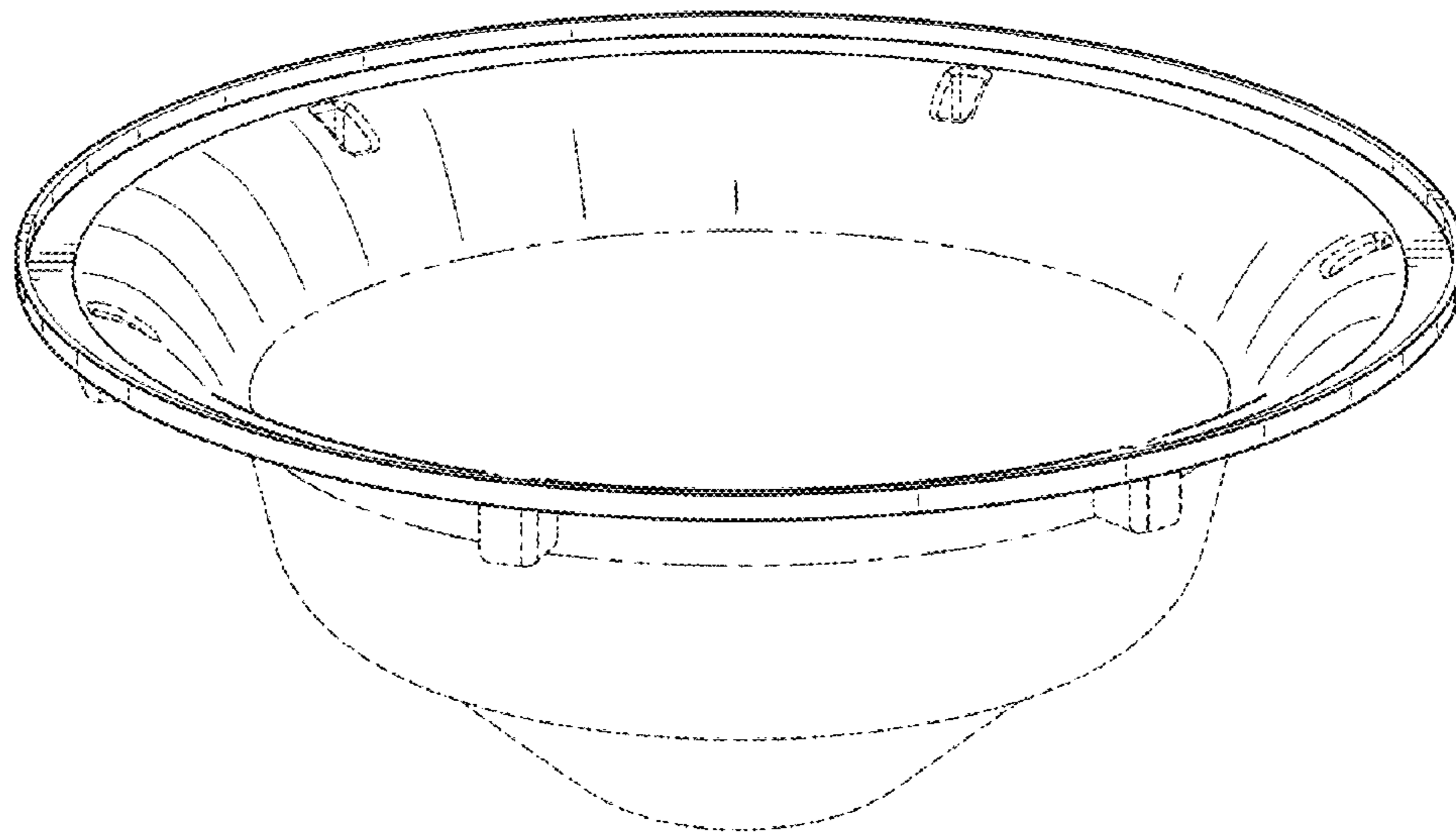
FIG. 4 is a top view of the container rim in FIG. 1.

FIG. 5 is a bottom view of the of the container rim in FIG. 1; and,

FIG. 6 is an overhead perspective view showing the drain grease container walled rim of FIG. 1 in an intended environment of use installed in a kitchen sink.

The broken line representations of the interior of the drain grease container and the kitchen sink are included for the purpose of illustrating environment and form no part of the claimed design.

1 Claim, 3 Drawing Sheets



(56)

References Cited

U.S. PATENT DOCUMENTS

8,763,170 B1 * 7/2014 Ungarsohn E03C 1/262
4/292
D728,077 S * 4/2015 Luo D23/260
D743,509 S * 11/2015 Traub D23/261
D749,706 S * 2/2016 Johansen D23/260
D777,887 S * 1/2017 Johansen D23/261

* cited by examiner

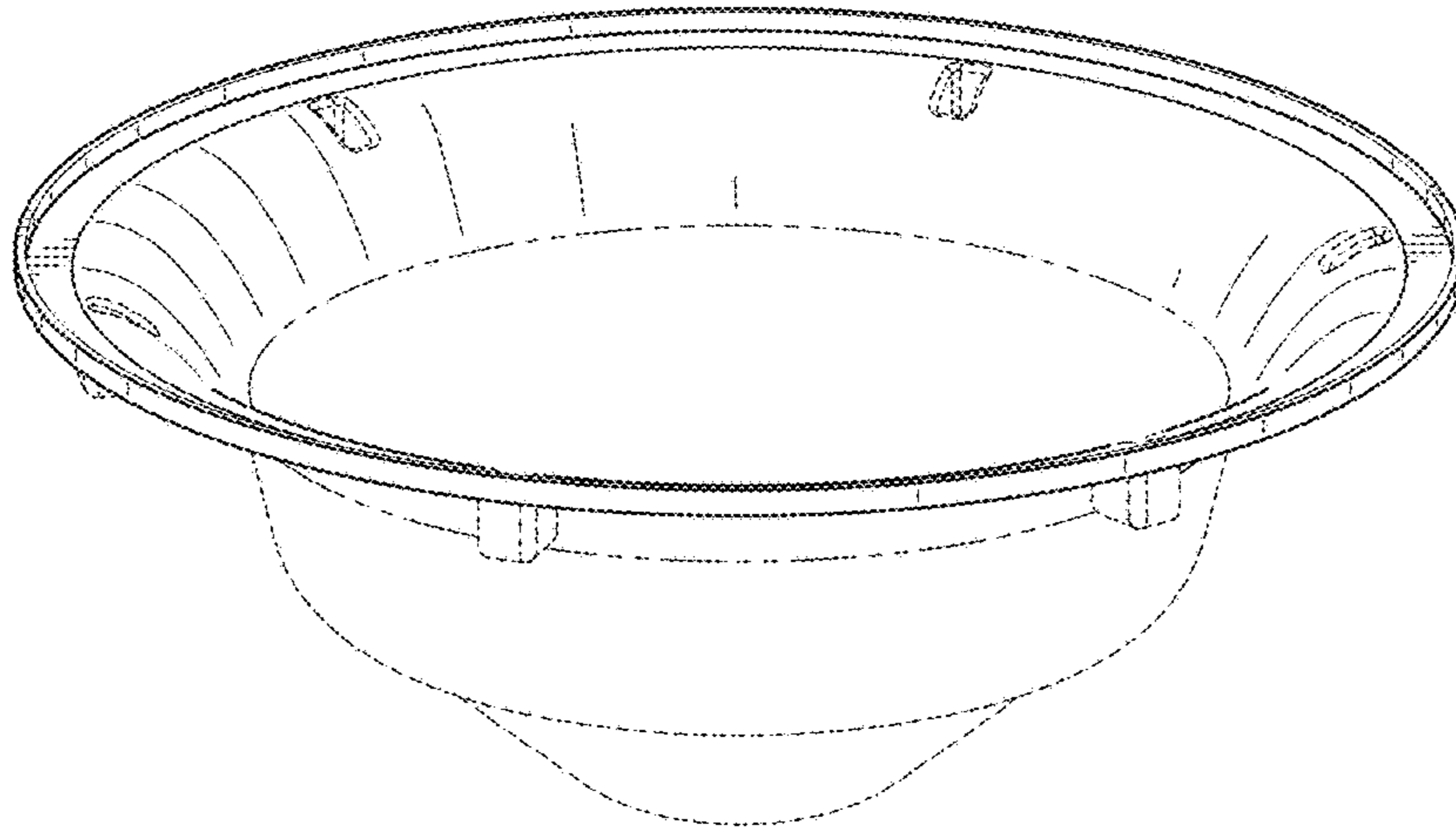


FIG. 1

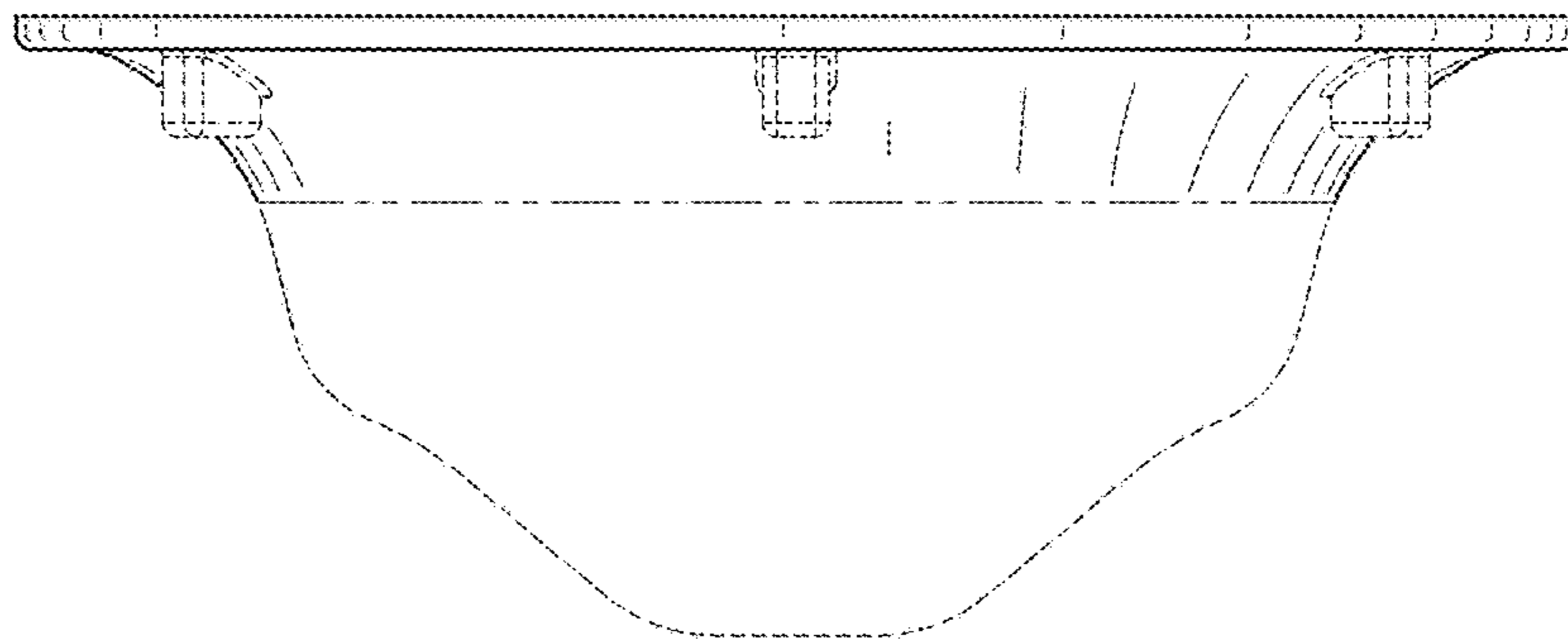


FIG. 2

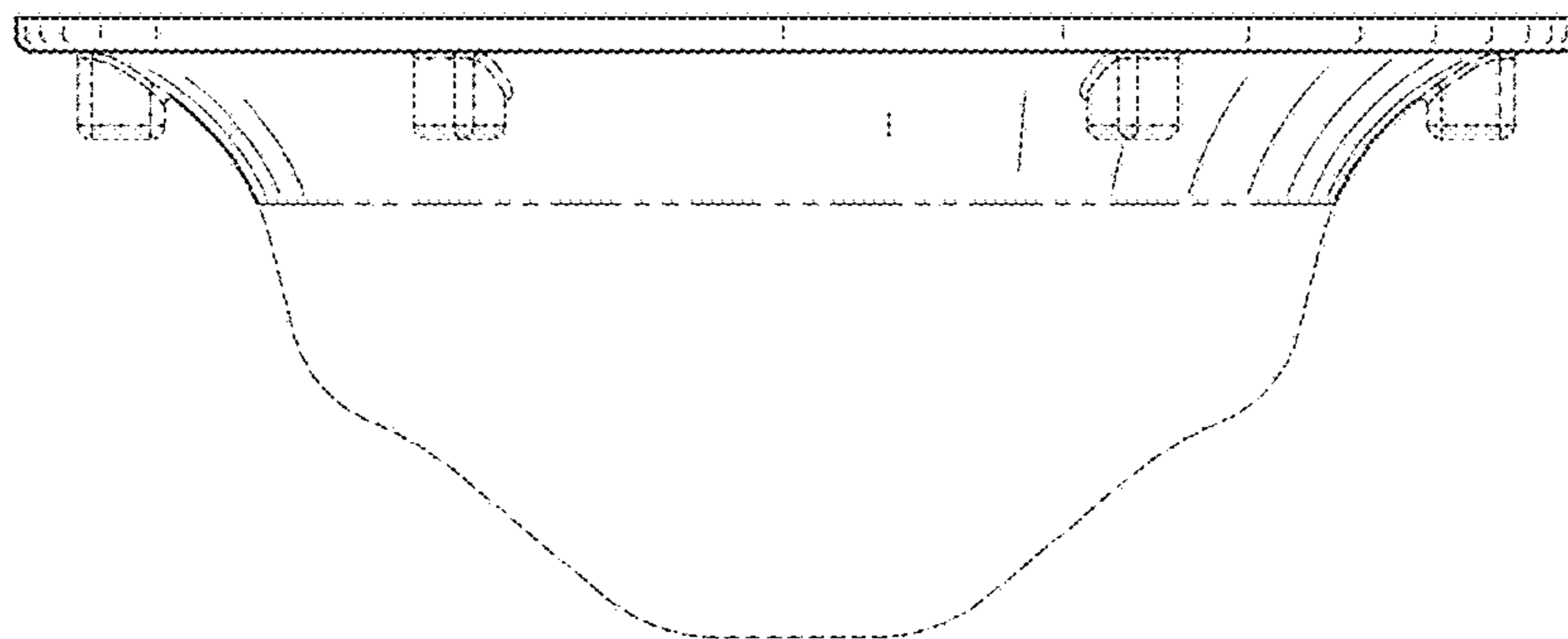


FIG. 3

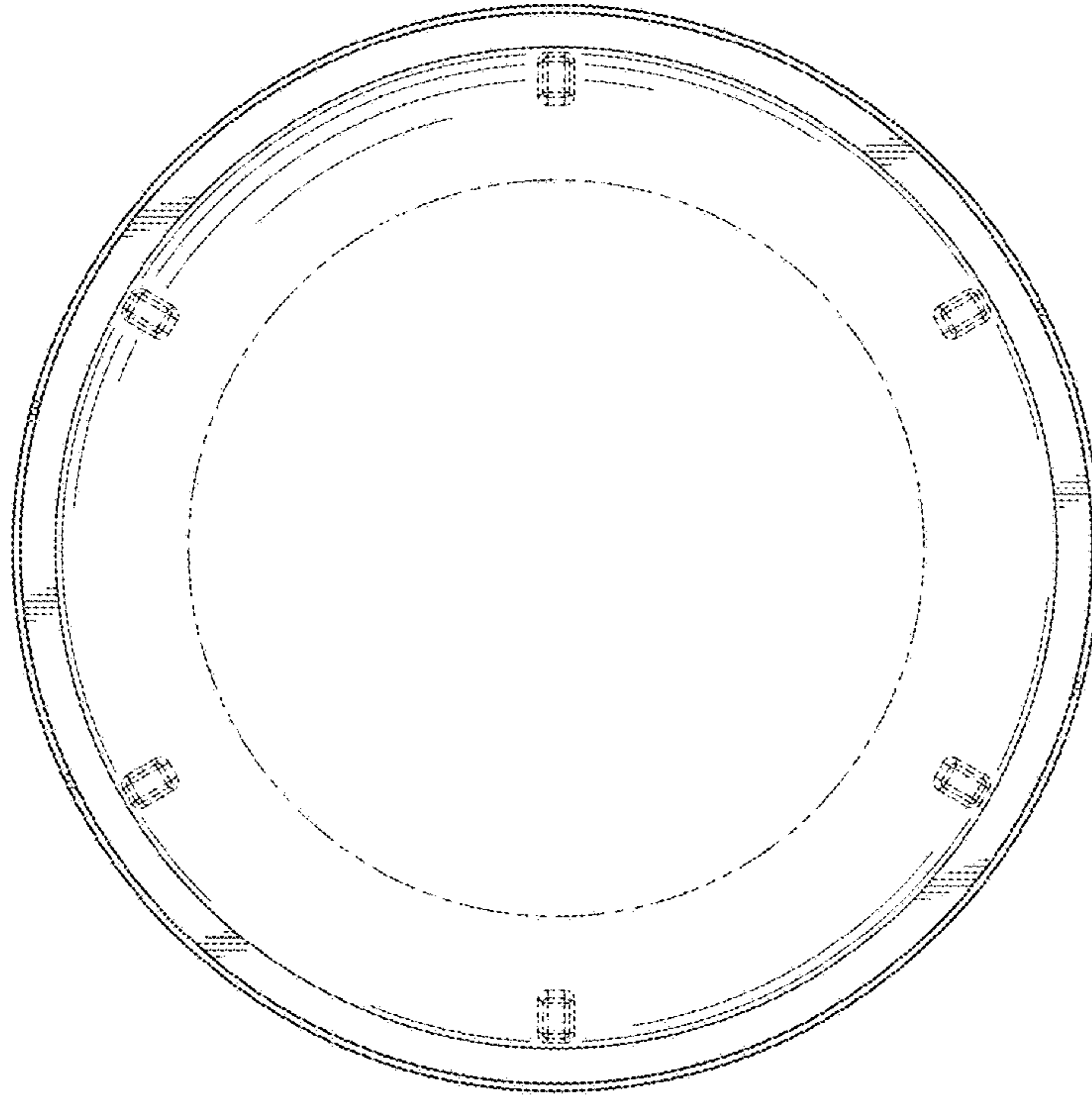


FIG. 4

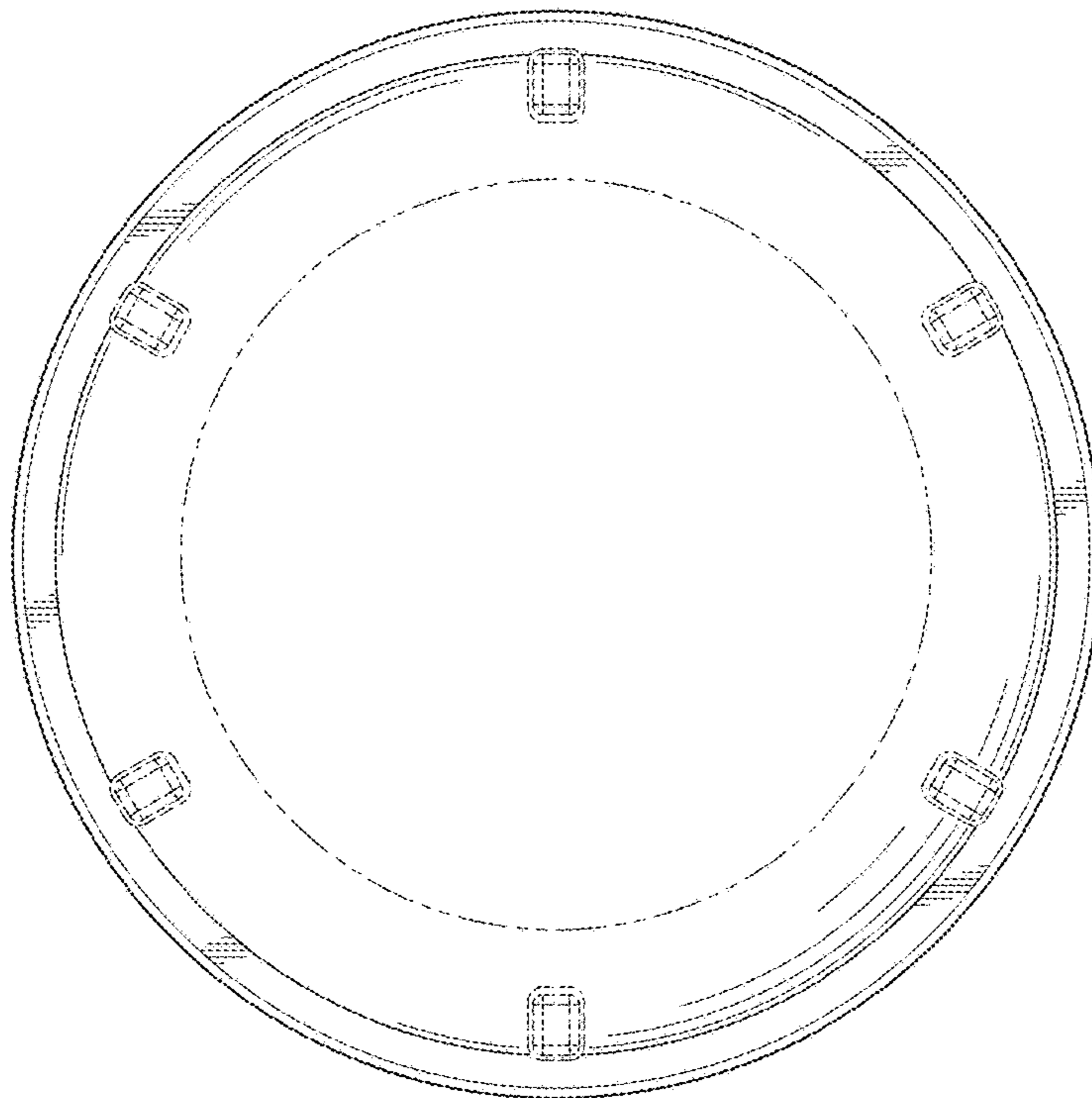


FIG. 5

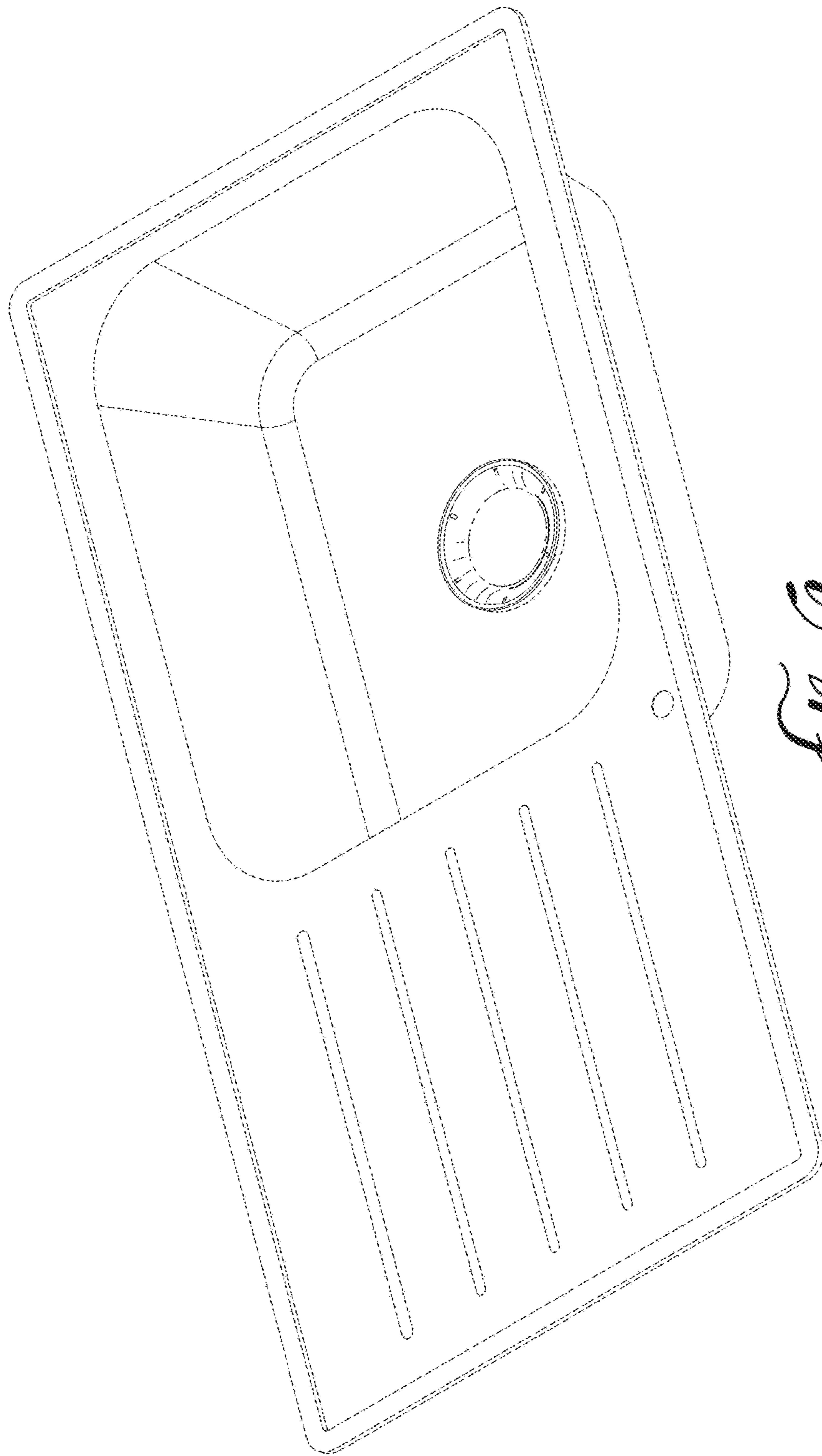


FIG. 10