



US00D837948S

(12) **United States Design Patent** (10) **Patent No.:** **US D837,948 S**
Soulier et al. (45) **Date of Patent:** **** Jan. 8, 2019**

(54) **FAUCET**
(71) Applicant: **Kohler Co.**, Kohler, WI (US)
(72) Inventors: **Jean-Hugues Soulier**, Paris (FR);
Ferran Serra Sola, Paris (FR)
(73) Assignee: **KOHLER CO.**, Kohler, WI (US)
(**) Term: **15 Years**
(21) Appl. No.: **29/658,278**
(22) Filed: **Jul. 30, 2018**

D597,175 S 7/2009 Kulig
D615,162 S 5/2010 Pan
D636,062 S 4/2011 Rubin et al.
D643,095 S * 8/2011 Matsuura D23/242
D666,276 S 8/2012 Fritz
D676,531 S 2/2013 Vibe-Petersen
D697,589 S 1/2014 Georgeson
D698,420 S 1/2014 Hahn et al.
D713,008 S 9/2014 Citterio
D735,297 S 7/2015 Sieger
D750,203 S 2/2016 Flowers
D754,295 S 4/2016 Lord
D755,350 S 5/2016 Rexach

(Continued)

Related U.S. Application Data

(62) Division of application No. 29/641,526, filed on Mar. 22, 2018, which is a division of application No. 29/595,301, filed on Feb. 27, 2017, now Pat. No. Des. 823,441.
(51) **LOC (11) Cl.** **23-01**
(52) **U.S. Cl.**
USPC **D23/255**
(58) **Field of Classification Search**
USPC D23/238-243, 249-250, 252, 254-255,
D23/257; D8/300, 307-308
CPC ... Y10T 137/9464; E03C 1/04; E03C 1/0401;
E03C 1/0402; E03C 1/0404; E03C
1/0405; E03C 1/0412
See application file for complete search history.

(56) **References Cited**

U.S. PATENT DOCUMENTS

D466,977 S 12/2002 Cummings
D469,157 S 1/2003 Lobermeier
D479,309 S 9/2003 Haug
D513,060 S 12/2005 Ouyoung
D528,189 S 9/2006 Kulig
D536,065 S 1/2007 Wang
D571,893 S 6/2008 Celli
D581,026 S * 11/2008 Citterio D23/255

OTHER PUBLICATIONS

NPL_ALLMODERN_SINGLE_HANDLE; 6 pgs.
NPL_ALLMODERN_SINGLE_HANDLE_BATHROOM; 6pgs.

Primary Examiner — Robert A Delehanty
(74) *Attorney, Agent, or Firm* — Foley & Lardner LLP

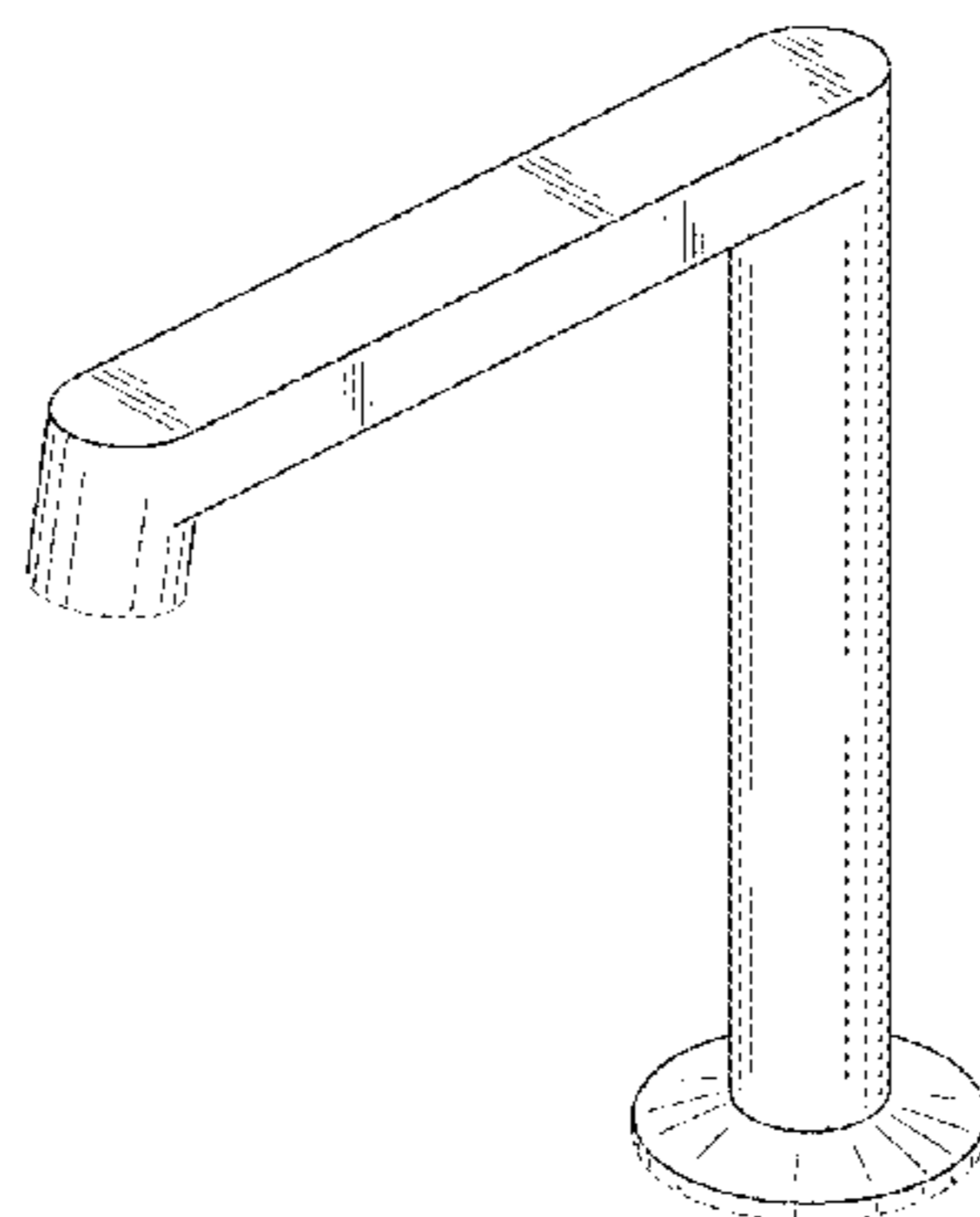
(57) **CLAIM**

We claim the ornamental design for a faucet, as shown and described.

DESCRIPTION

FIG. 1 is a top, front, right perspective view of an embodiment of the claimed design;
FIG. 2 is a right side elevation view thereof;
FIG. 3 is a left side elevation view thereof;
FIG. 4 is a front elevation view thereof;
FIG. 5 is a rear elevation view thereof;
FIG. 6 is a top plan view thereof; and,
FIG. 7 is a bottom plan view thereof.
The ornamental design which is claimed is shown in solid lines in the drawings. The broken lines in the drawings are for illustrative purposes only and form no part of the claimed design. Broken lines formed by equal length dashes show unclaimed subject matter.

1 Claim, 5 Drawing Sheets



(56)

References Cited

U.S. PATENT DOCUMENTS

D758,545 S	6/2016	Yabu
D767,724 S	9/2016	Flowers
D787,020 S	5/2017	Ziemann
D803,989 S	11/2017	Flowers
D807,476 S	1/2018	Haug
D811,552 S	2/2018	Fritz

* cited by examiner

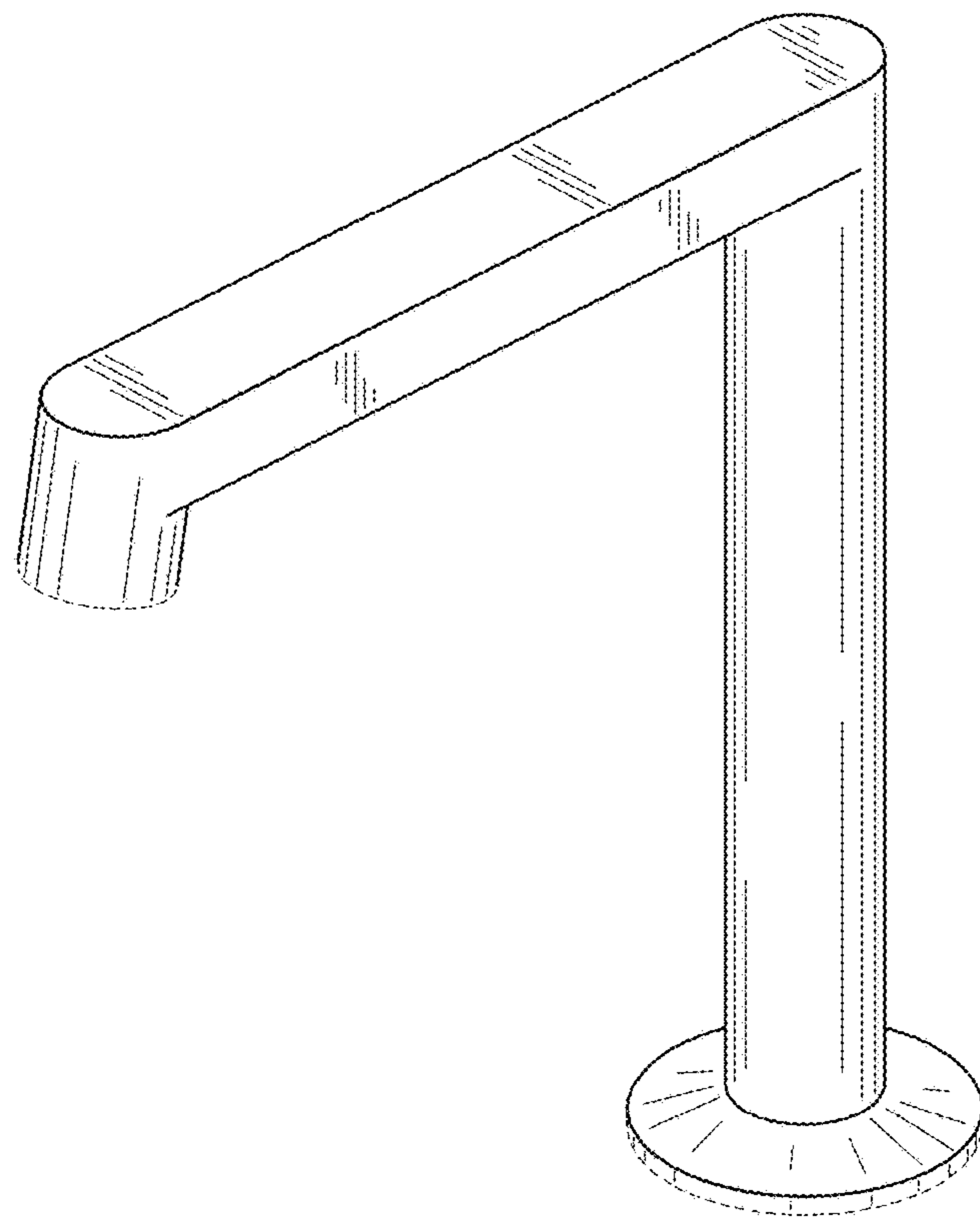


FIG. 1

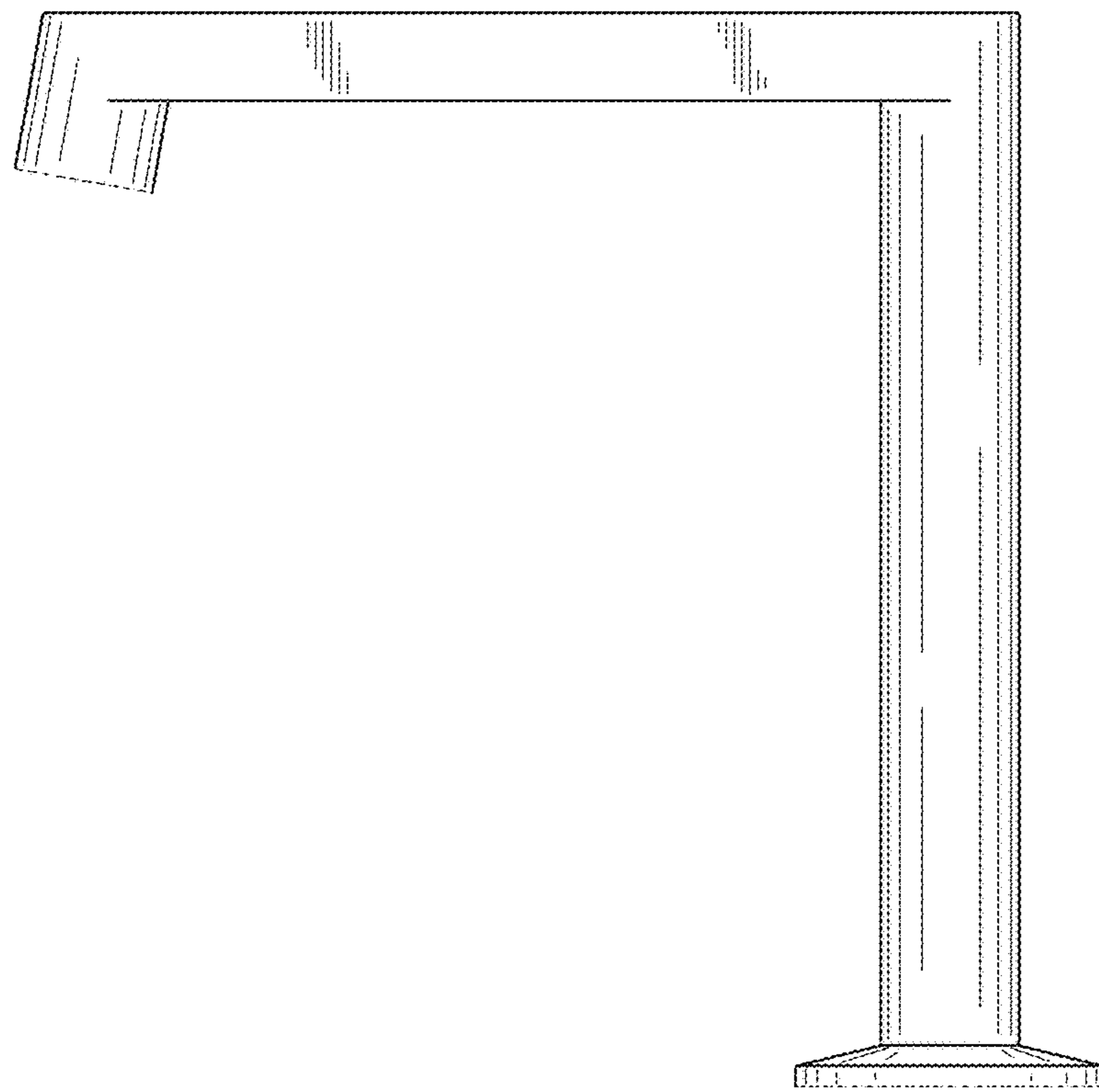


FIG. 2

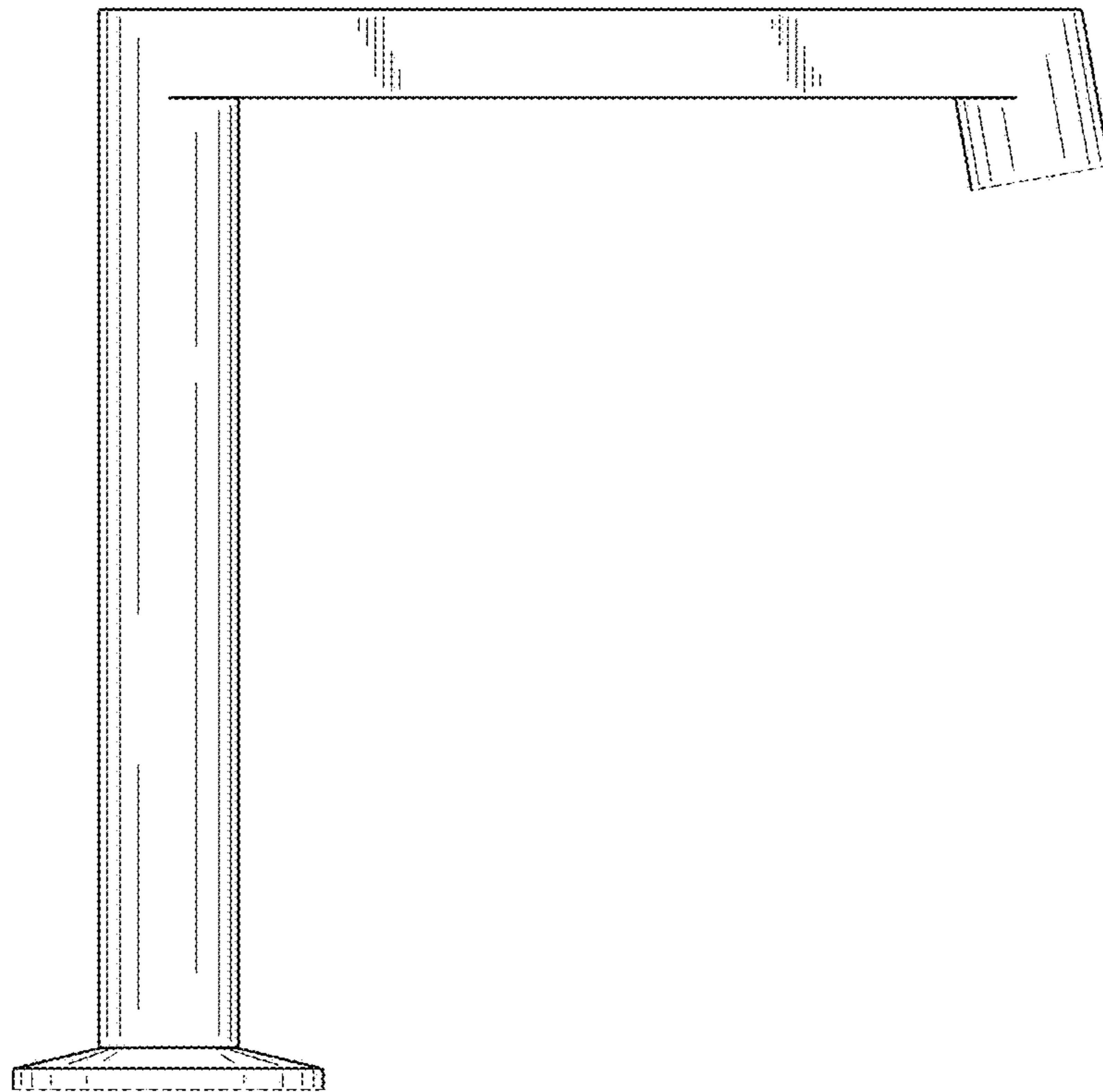


FIG. 3

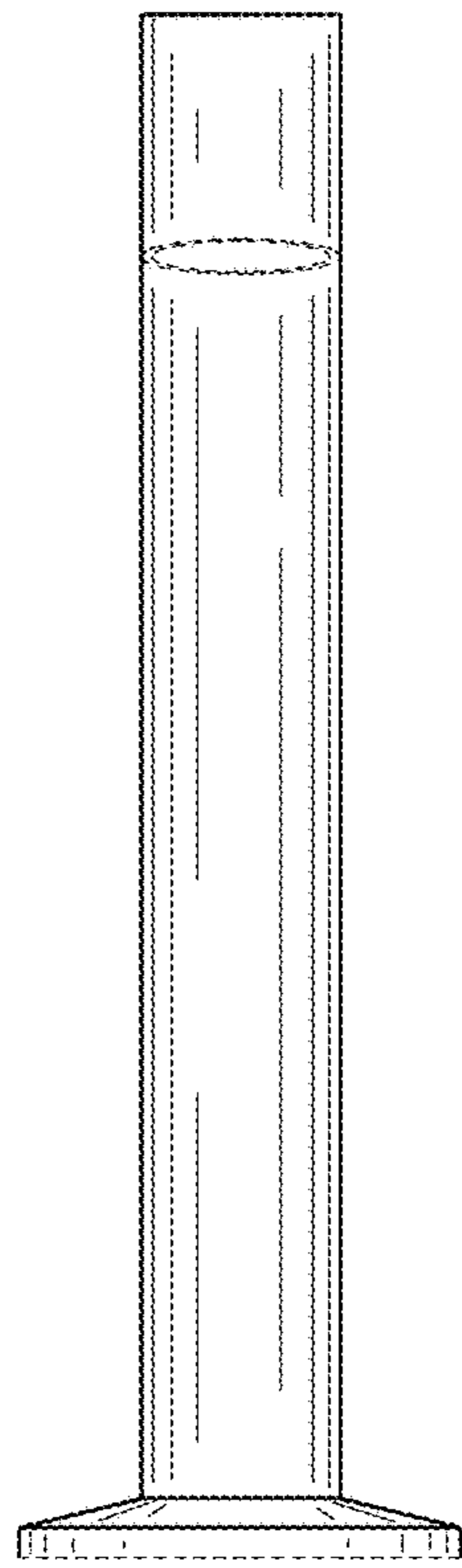


FIG. 4

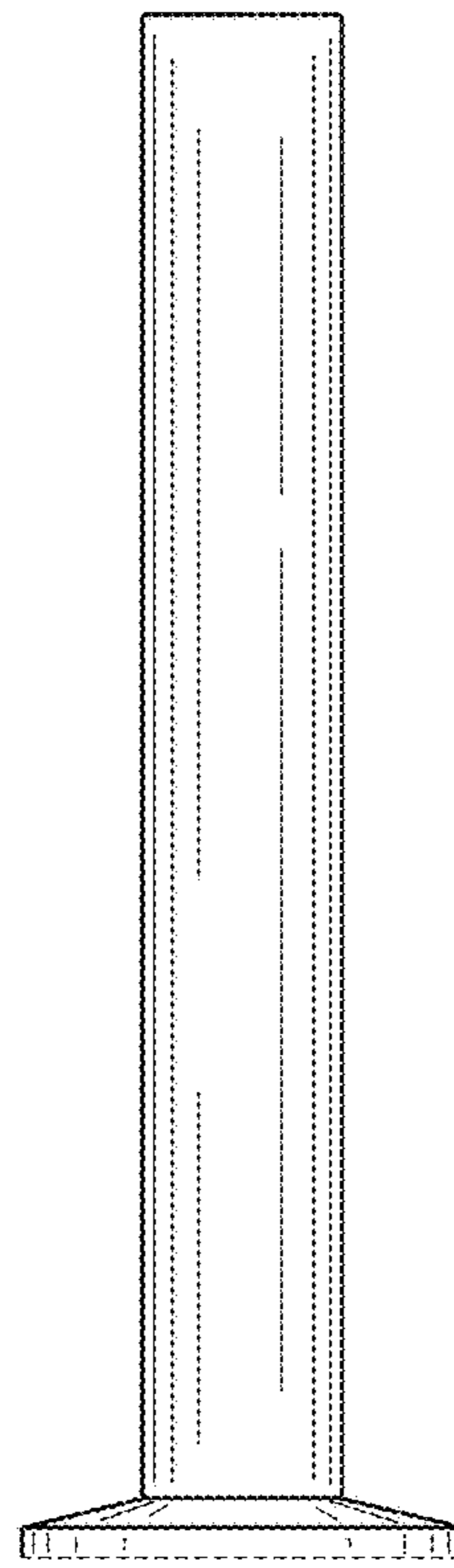


FIG. 5

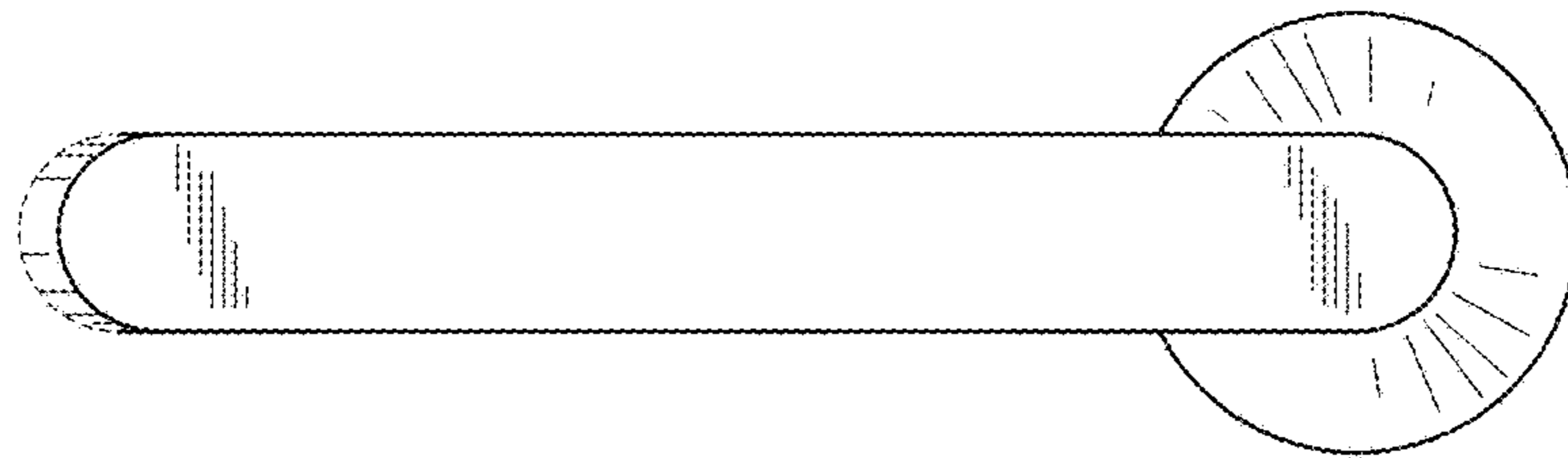


FIG. 6

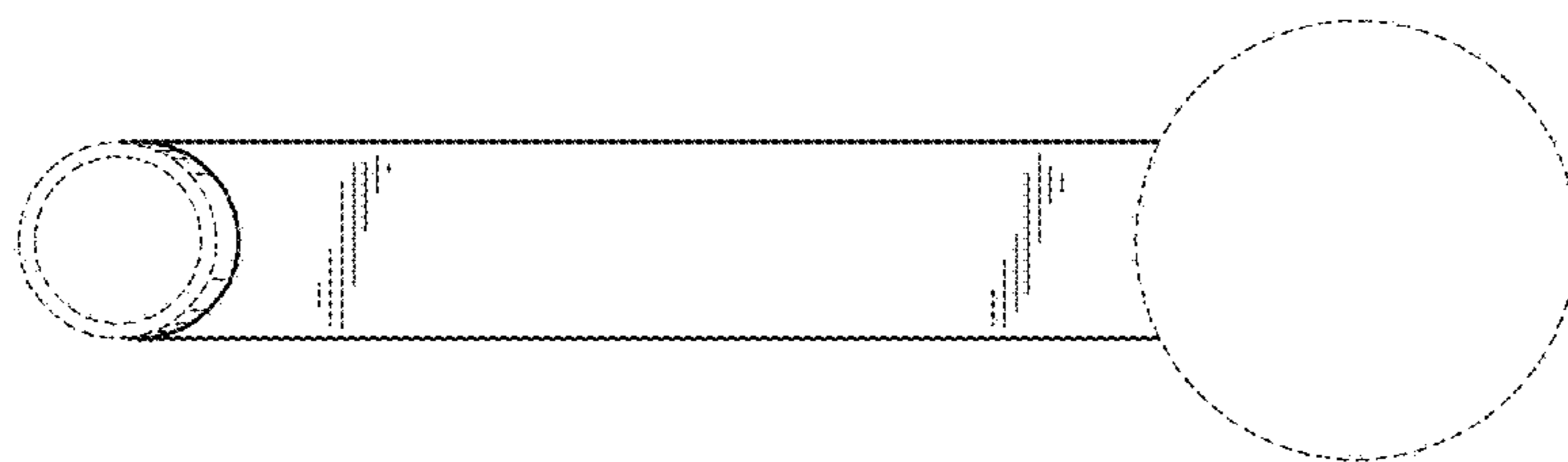


FIG. 7