



US00D837946S

(12) **United States Design Patent** (10) **Patent No.:** **US D837,946 S**
Schoenherr et al. (45) **Date of Patent:** **** Jan. 8, 2019**

(54) **FAUCET**
(71) Applicant: **Hansgrohe SE**, Schiltach (DE)
(72) Inventors: **Tom Schoenherr**, Stuttgart (DE);
Andreas Diefenbach,
Ludwigsburg-Oßweil (DE); **Marc**
Michalak, Kornwestheim (DE)

D586,881 S * 2/2009 Lammel D23/238
D613,374 S * 4/2010 Lammel D23/238
D624,988 S * 10/2010 Lammel D23/238
D635,650 S * 4/2011 Schoenherr D23/255
D646,759 S * 10/2011 Lobermeier D23/255
D752,187 S * 3/2016 Schoenherr D23/255
D773,612 S * 12/2016 Flowers D23/238

(73) Assignee: **Hansgrohe SE**, Schiltach (DE)
(**) Term: **15 Years**

FOREIGN PATENT DOCUMENTS
CN 301949103 6/2012
CN 302589649 9/2013
EM 003766088-0003 2/2017
EM 003766088-0006 2/2017

(21) Appl. No.: **29/611,168**
(22) Filed: **Jul. 19, 2017**

OTHER PUBLICATIONS
Brochure—TOTO 2012/2013 Faucets/Accessories Catalogue, 6 pgs.,
Toto, Shanghai, China, at least as early as May 23, 2012.

(30) **Foreign Application Priority Data**
Jan. 26, 2017 (EM) 001456776-0023
(51) **LOC (11) Cl.** **23-01**
(52) **U.S. Cl.**
USPC **D23/255**
(58) **Field of Classification Search**
USPC D23/238–242, 249, 255, 257
CPC Y10T 137/9464
See application file for complete search history.

* cited by examiner
Primary Examiner — Robert A Delehanty
(74) *Attorney, Agent, or Firm* — Lora J. Graentzdoerffer

(56) **References Cited**
U.S. PATENT DOCUMENTS
D355,706 S * 2/1995 Chretien D23/238
D358,867 S * 5/1995 Haug D23/238
D410,277 S * 5/1999 Lobermeier D23/238
D441,426 S * 5/2001 Lim D23/238
D441,429 S * 5/2001 Mullenmeister D23/238
D529,131 S * 9/2006 Haug D23/238

(57) **CLAIM**
The ornamental design for a faucet, as shown and described.
DESCRIPTION

FIG. 1 is a perspective view;
FIG. 2 is a front elevation view;
FIG. 3 is a rear elevation view;
FIG. 4 is a side elevation view;
FIG. 5 is a top plan view; and,
FIG. 6 is a bottom plan view.
The broken lines indicate portions of the faucet which form
no part of the claimed design.

1 Claim, 6 Drawing Sheets

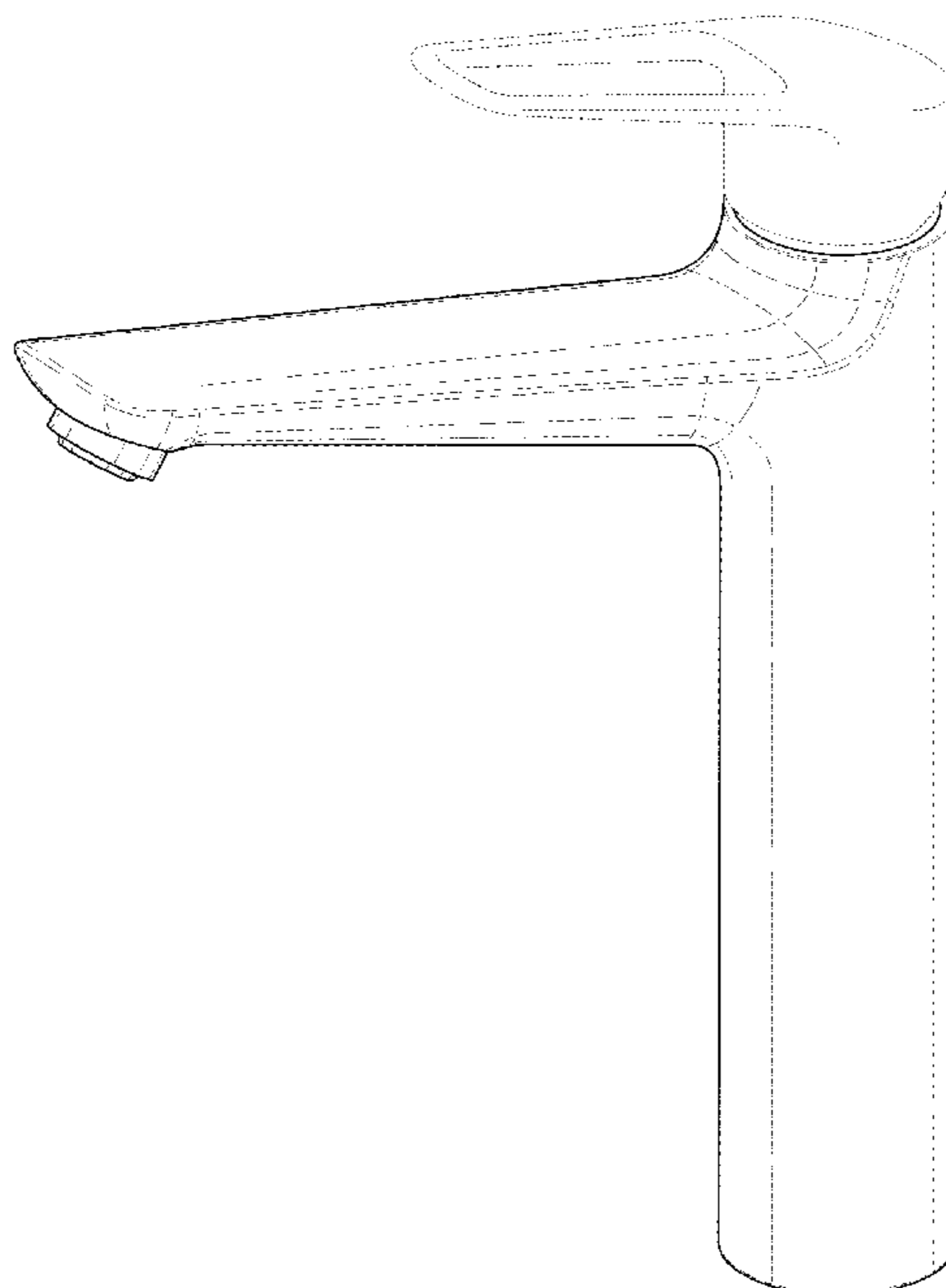


FIG. 1

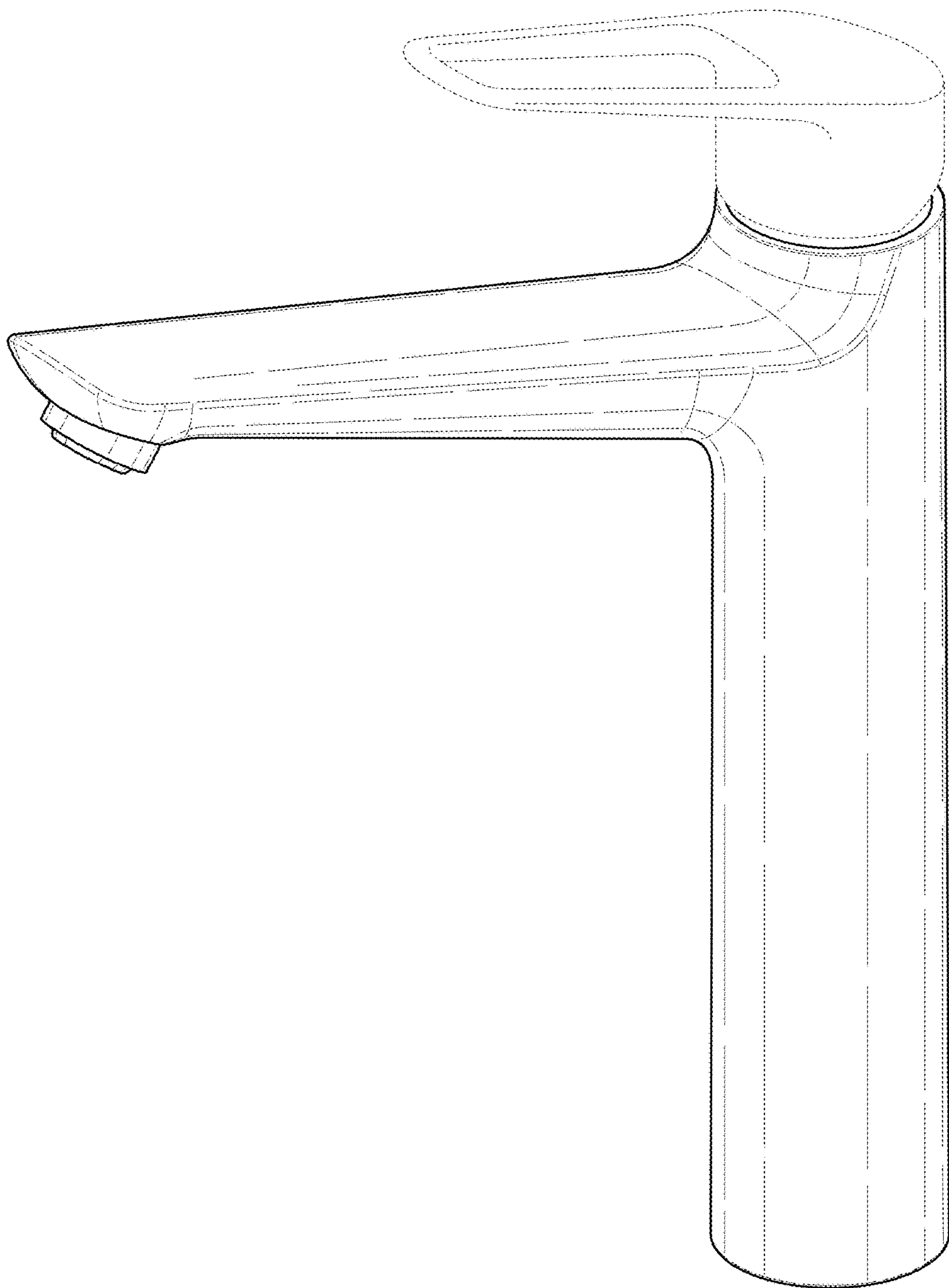


FIG. 2

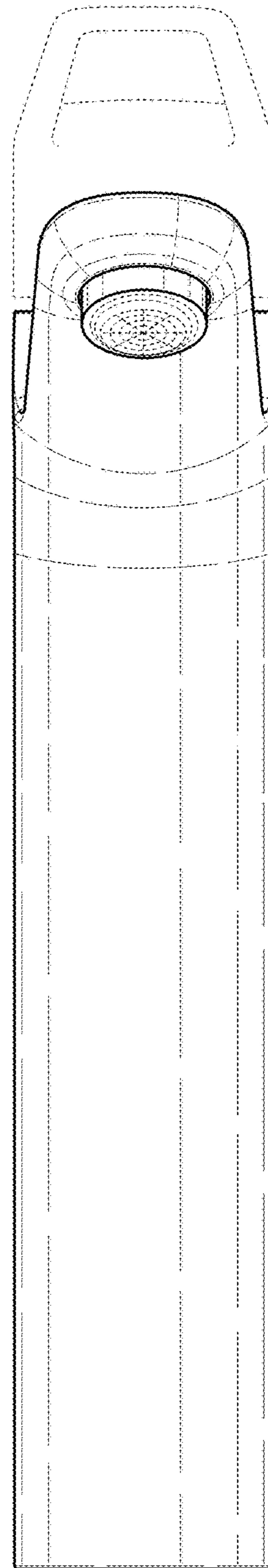


FIG. 3

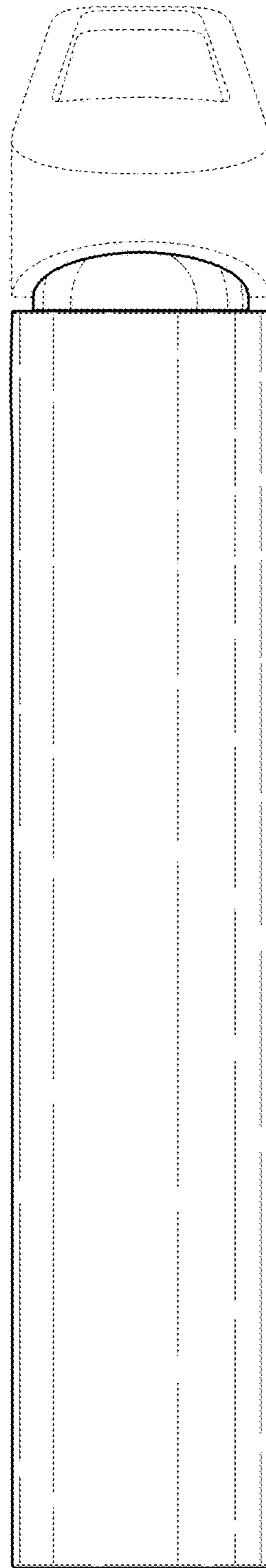


FIG. 4

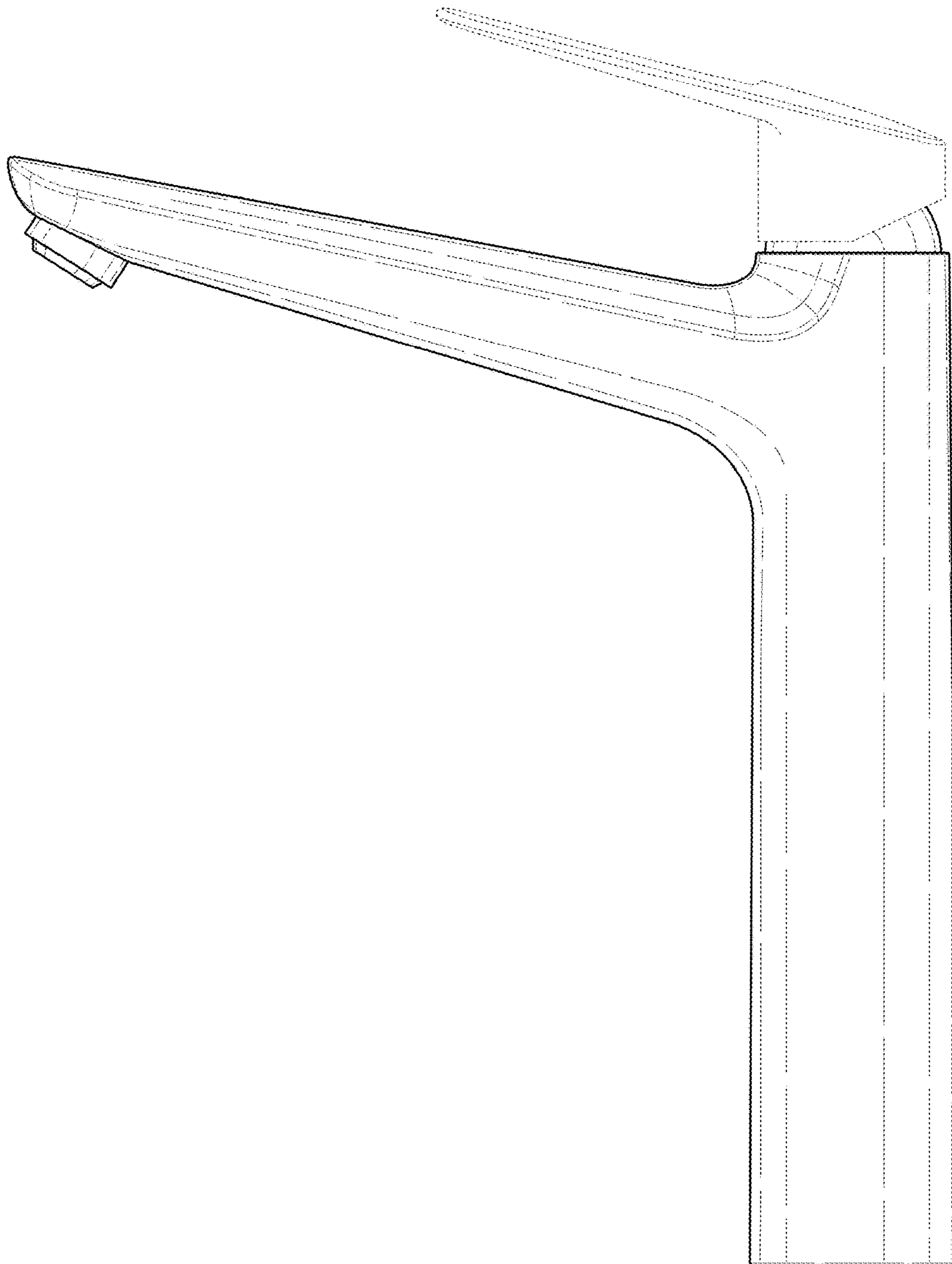


FIG. 5

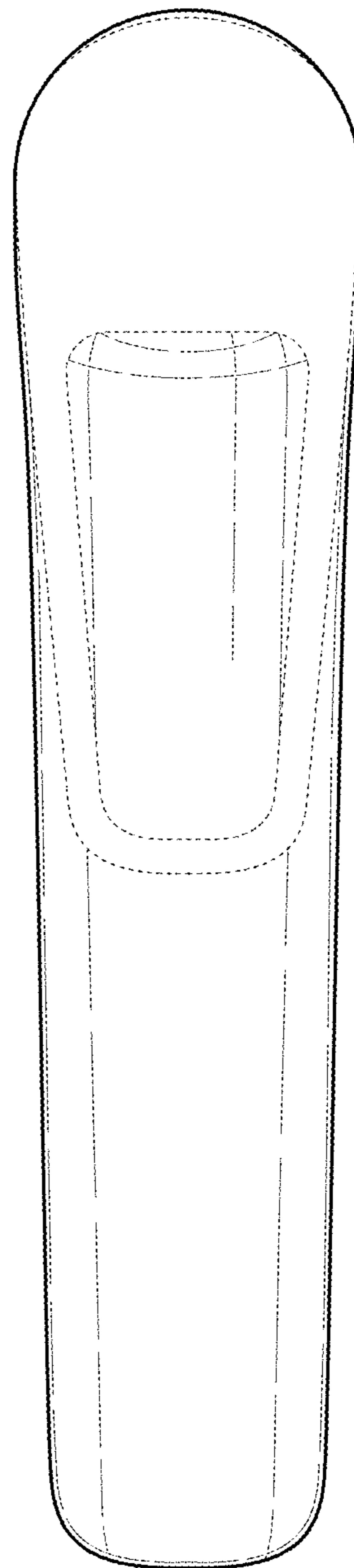


FIG. 6

