



US00D837944S

(12) **United States Design Patent** (10) **Patent No.:** **US D837,944 S**
Soulier et al. (45) **Date of Patent:** **** Jan. 8, 2019**

(54) **FAUCET HANDLE**
(71) Applicant: **Kohler Co.**, Kohler, WI (US)
(72) Inventors: **Jean-Hugues Soulier**, Paris (FR);
Ferran Serra Sola, Paris (FR); **Drew Johnson**, Sheboygan, WI (US)
(73) Assignee: **KOHLER CO.**, Kohler, WI (US)

D531,277 S 10/2006 Tsai
D531,702 S 11/2006 Haug
D535,725 S 1/2007 Chu
D541,909 S 5/2007 Schoenherr
D542,384 S 5/2007 Starck
D568,447 S 5/2008 Lai
D568,715 S 5/2008 Gustafson
D592,284 S 5/2009 Lammel
D597,632 S 8/2009 Obara
D622,820 S 8/2010 Bouroullec

(Continued)

(**) Term: **15 Years**

Primary Examiner — Robert A Delehanty

(21) Appl. No.: **29/658,296**

(74) *Attorney, Agent, or Firm* — Foley & Lardner LLP

(22) Filed: **Jul. 30, 2018**

(57) **CLAIM**

We claim the ornamental design for a faucet handle, as shown and described.

Related U.S. Application Data

(62) Division of application No. 29/641,442, filed on Mar. 22, 2018, which is a division of application No. 29/595,290, filed on Feb. 27, 2017, now Pat. No. Des. 823,440.

DESCRIPTION

(51) **LOC (11) Cl.** **23-01**
(52) **U.S. Cl.**
USPC **D23/250**

(58) **Field of Classification Search**
USPC D23/238–243, 249–250, 252, 254–255,
D23/257; D8/300, 307–310, 350, 352
CPC Y10T 137/9464
See application file for complete search history.

FIG. 1 is a top, front, left perspective view of an embodiment of the claimed design in a first position;
FIG. 2 is a right side elevation view thereof;
FIG. 3 is a top plan view thereof;
FIG. 4 is a rear elevation view thereof;
FIG. 5 is a front elevation view thereof;
FIG. 6 is a left side elevation view thereof;
FIG. 7 is a bottom plan view thereof;
FIG. 8 is a top, front, left perspective view thereof in a second position;
FIG. 9 is a right side elevation view thereof;
FIG. 10 is a top plan view thereof;
FIG. 11 is a rear elevation view thereof;
FIG. 12 is a front elevation view thereof;
FIG. 13 is a left side elevation view thereof; and,
FIG. 14 is a bottom plan view thereof.

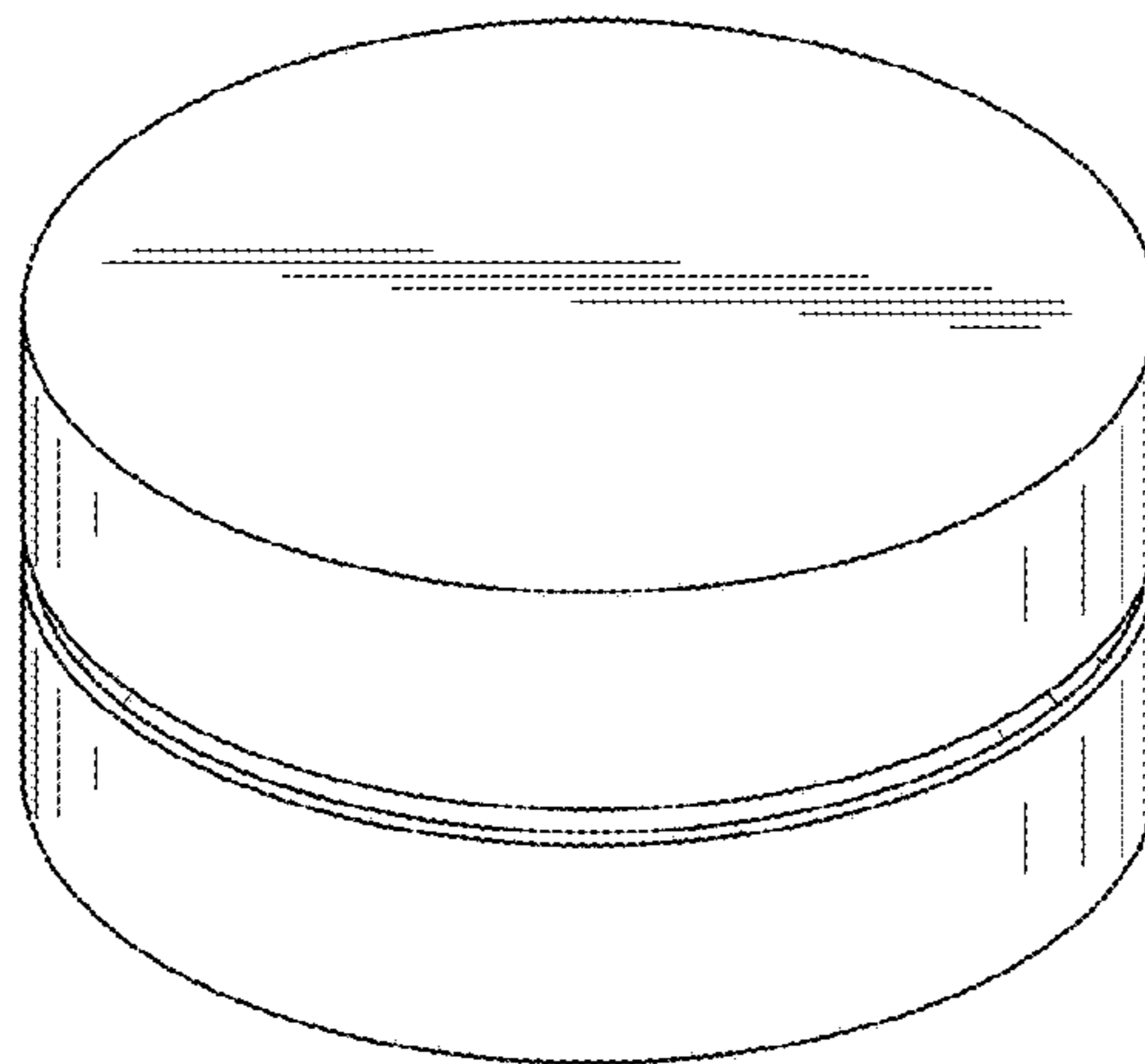
The ornamental design which is claimed is shown in solid lines in the drawings. The broken lines in the drawings are for illustrative purposes only and form no part of the claimed design. Broken lines formed by equal length dashes show unclaimed subject matter.

(56) **References Cited**

U.S. PATENT DOCUMENTS

D110,995 S 8/1938 Bellem, Jr.
D127,734 S 6/1941 Dreyfuss
D279,213 S 6/1985 Paul
D310,862 S 9/1990 Strignano
D310,865 S 9/1990 Strignano
D311,438 S 10/1990 Strignano
D312,495 S 11/1990 Joerger
D441,844 S 5/2001 Fleischmann
D442,263 S 5/2001 Warshawsky
D462,421 S 9/2002 Hundley

1 Claim, 8 Drawing Sheets



(56)

References Cited

U.S. PATENT DOCUMENTS

D624,991 S	10/2010	Kulig
D627,858 S	11/2010	Hanna
D627,861 S	11/2010	Sandee et al.
D641,456 S	7/2011	Bickerstaffe et al.
D655,786 S	3/2012	Fukasawa
D713,236 S	9/2014	Park
D714,915 S	10/2014	Von der Lancken
D726,883 S	4/2015	Flowers
D786,406 S	5/2017	Schoenherr
D787,638 S	5/2017	Schoenherr
D793,534 S	8/2017	Fritz

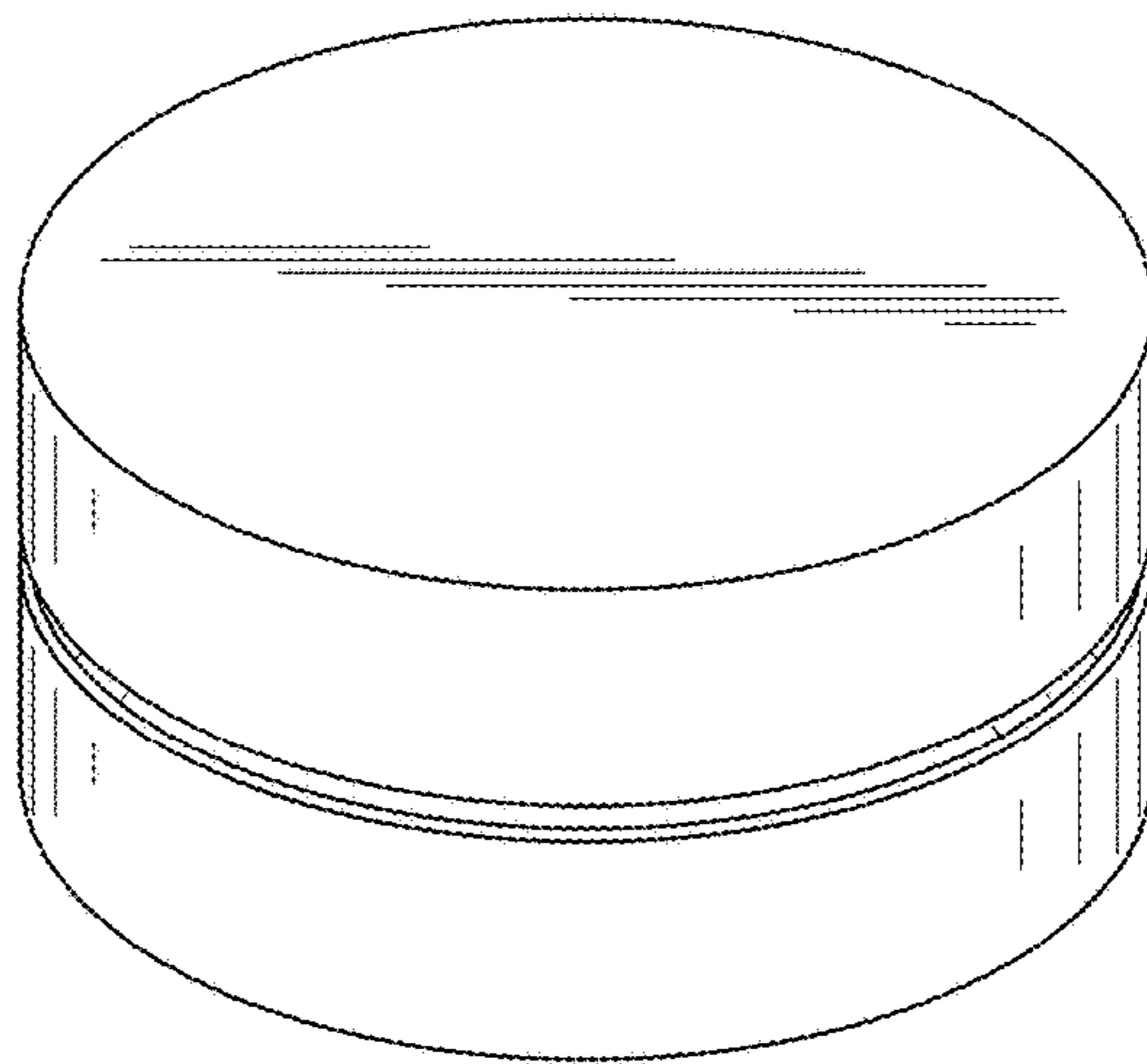


FIG. 1

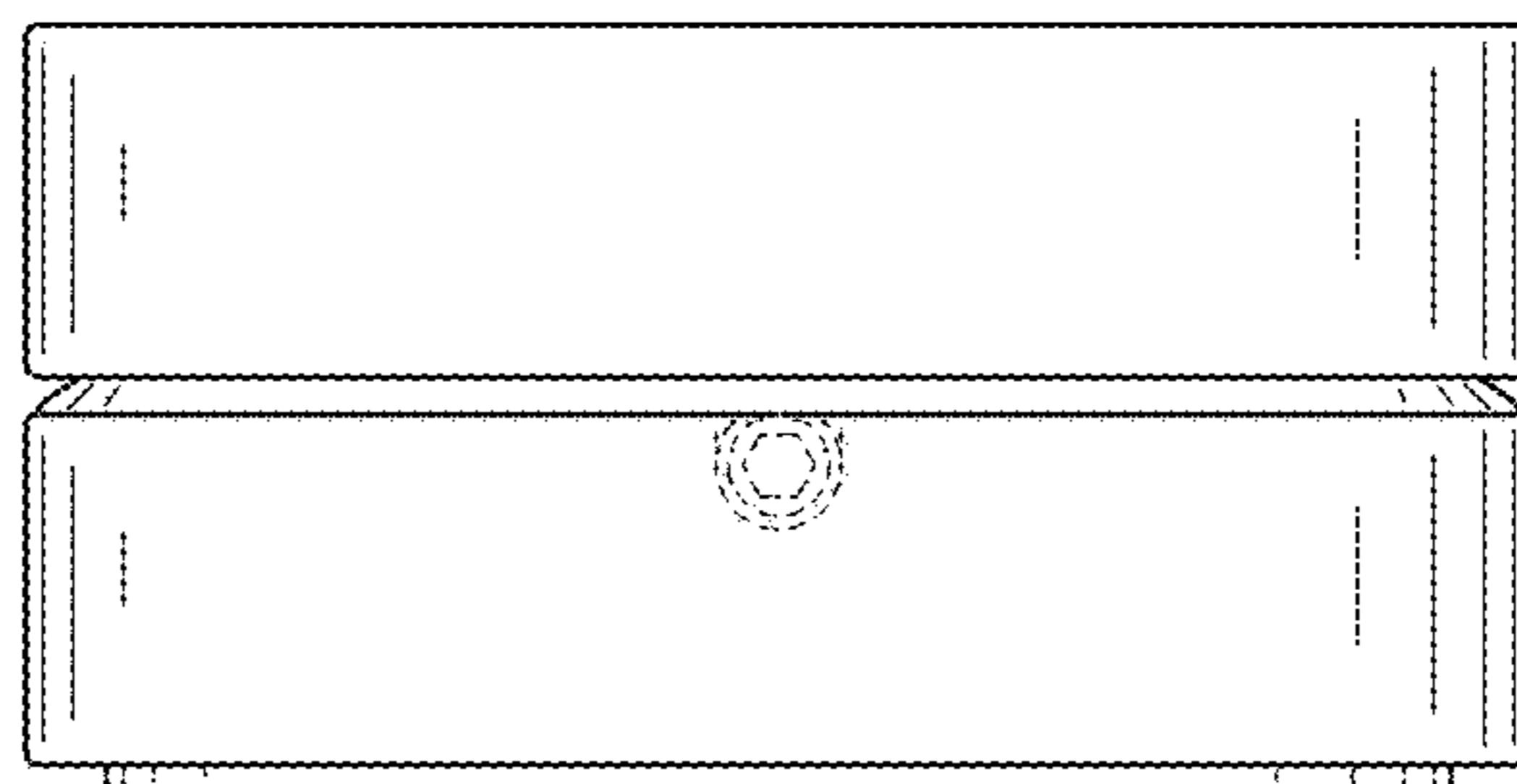


FIG. 2

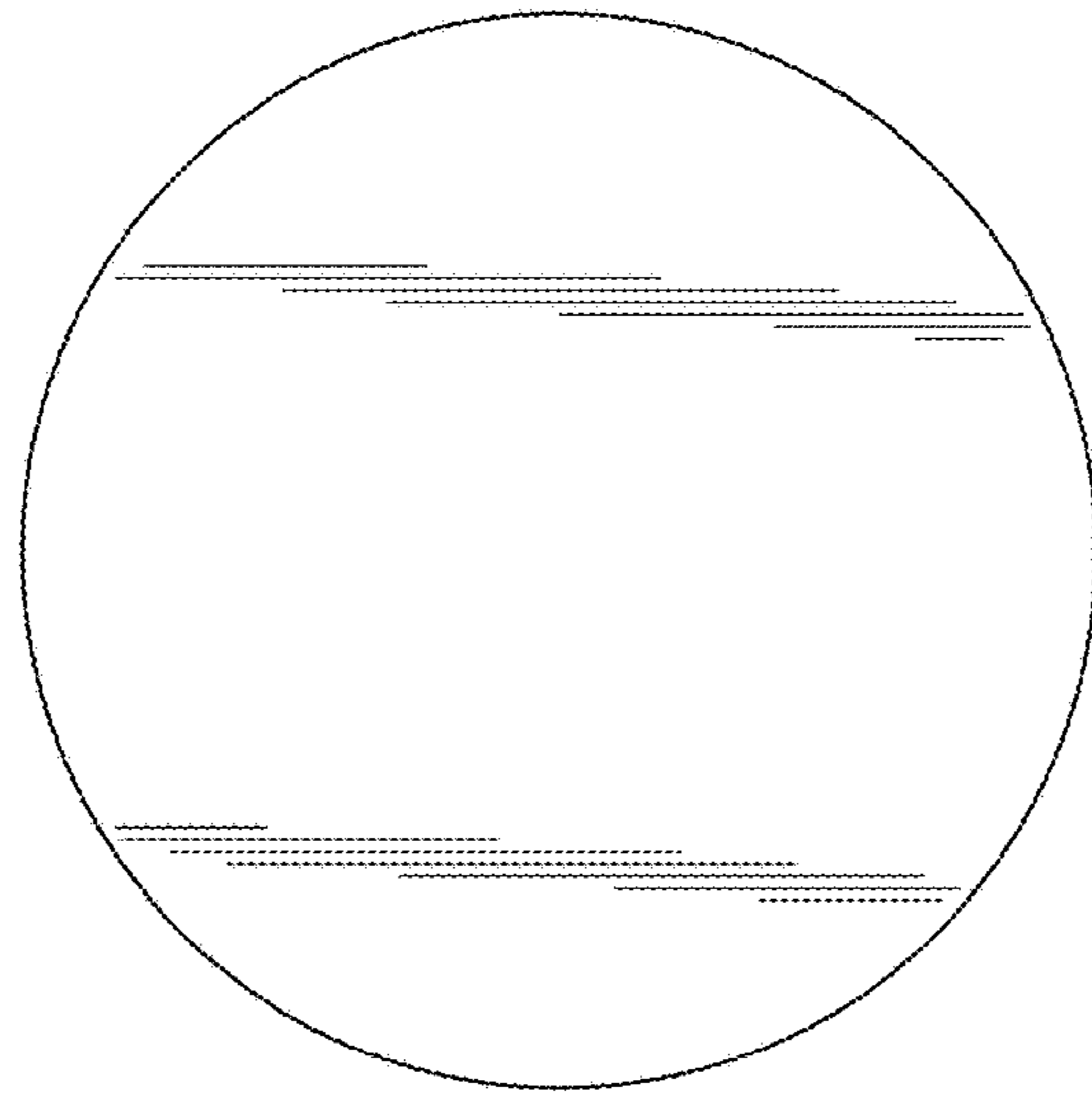


FIG. 3

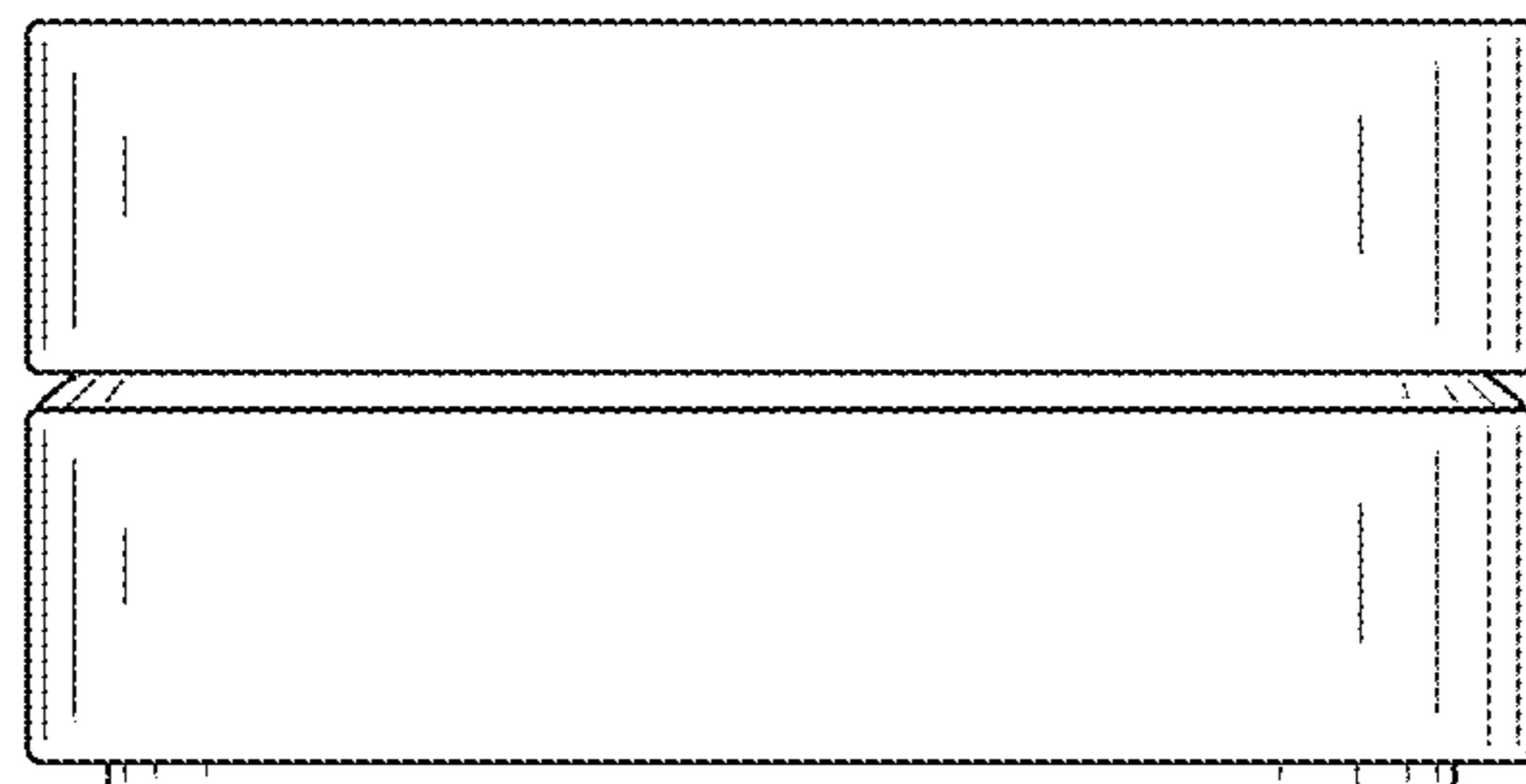


FIG. 4

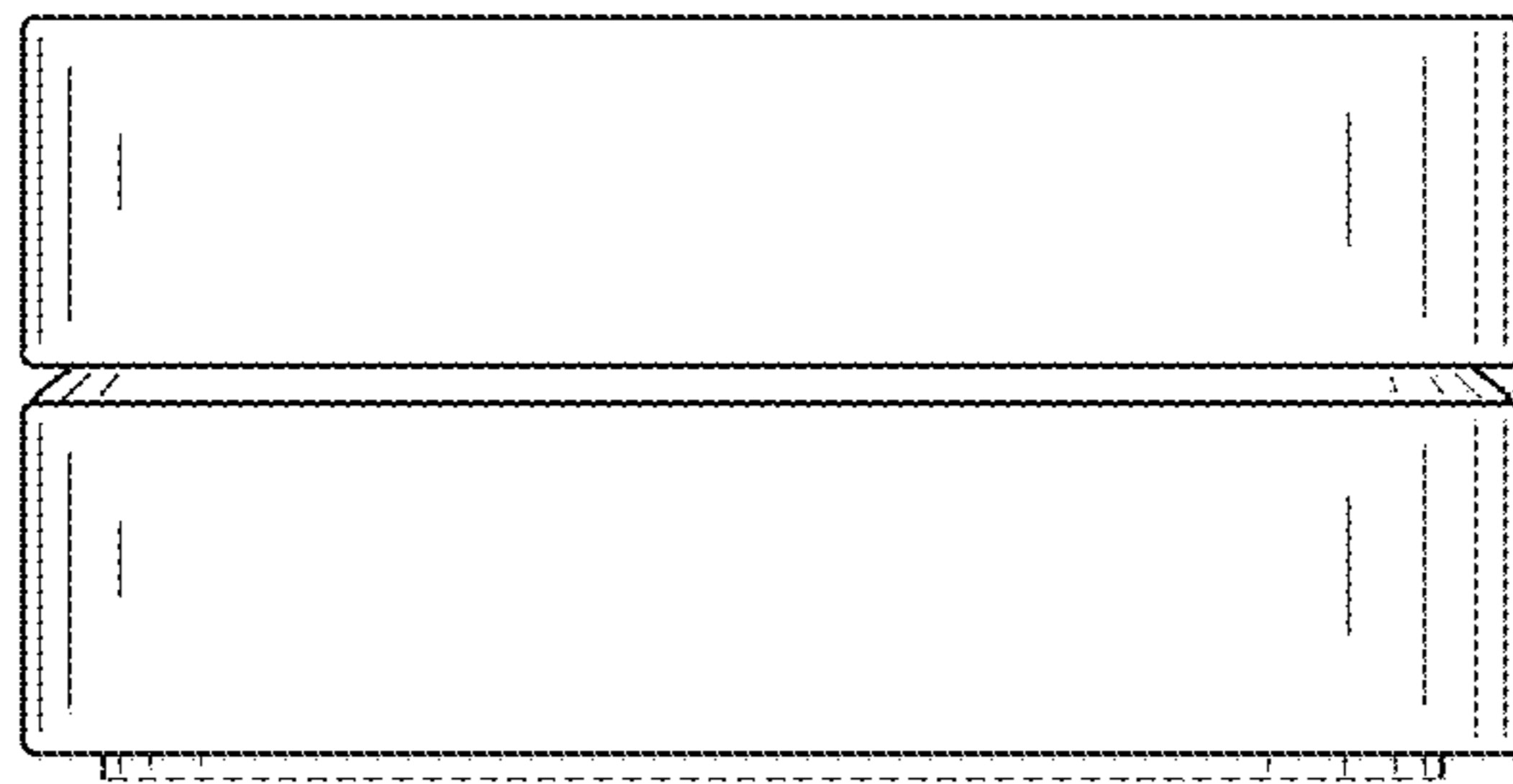


FIG. 5

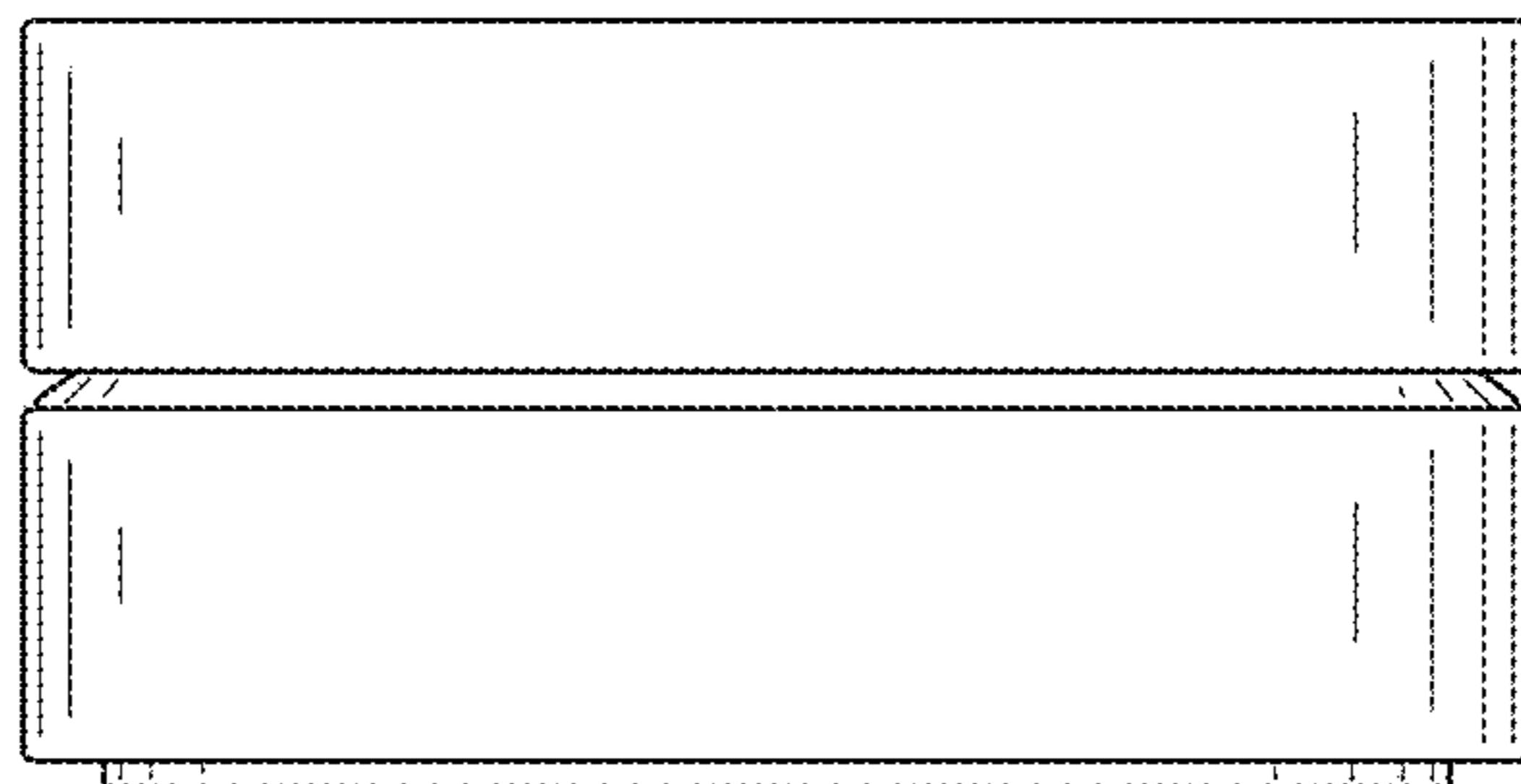


FIG. 6

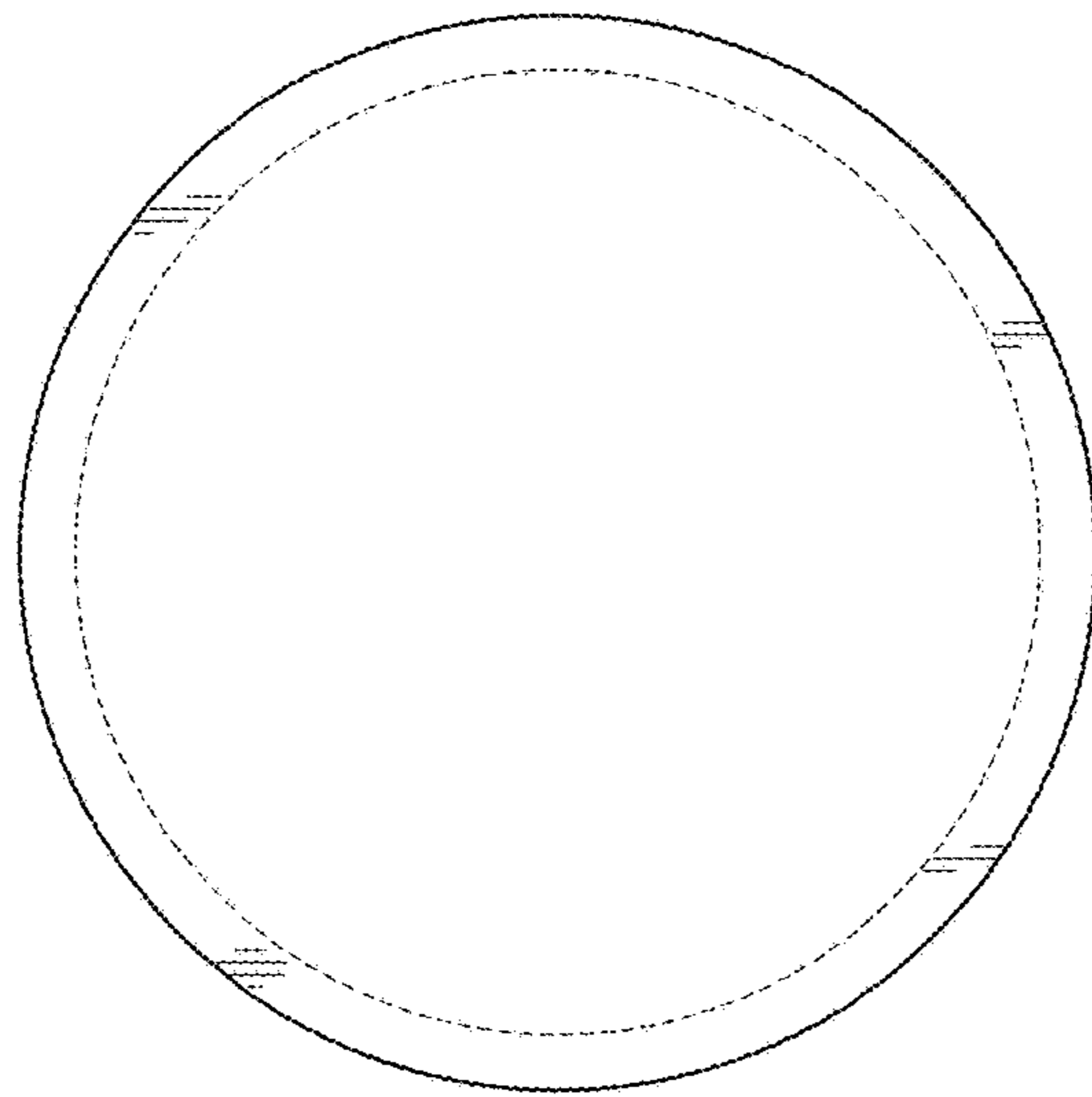


FIG. 7

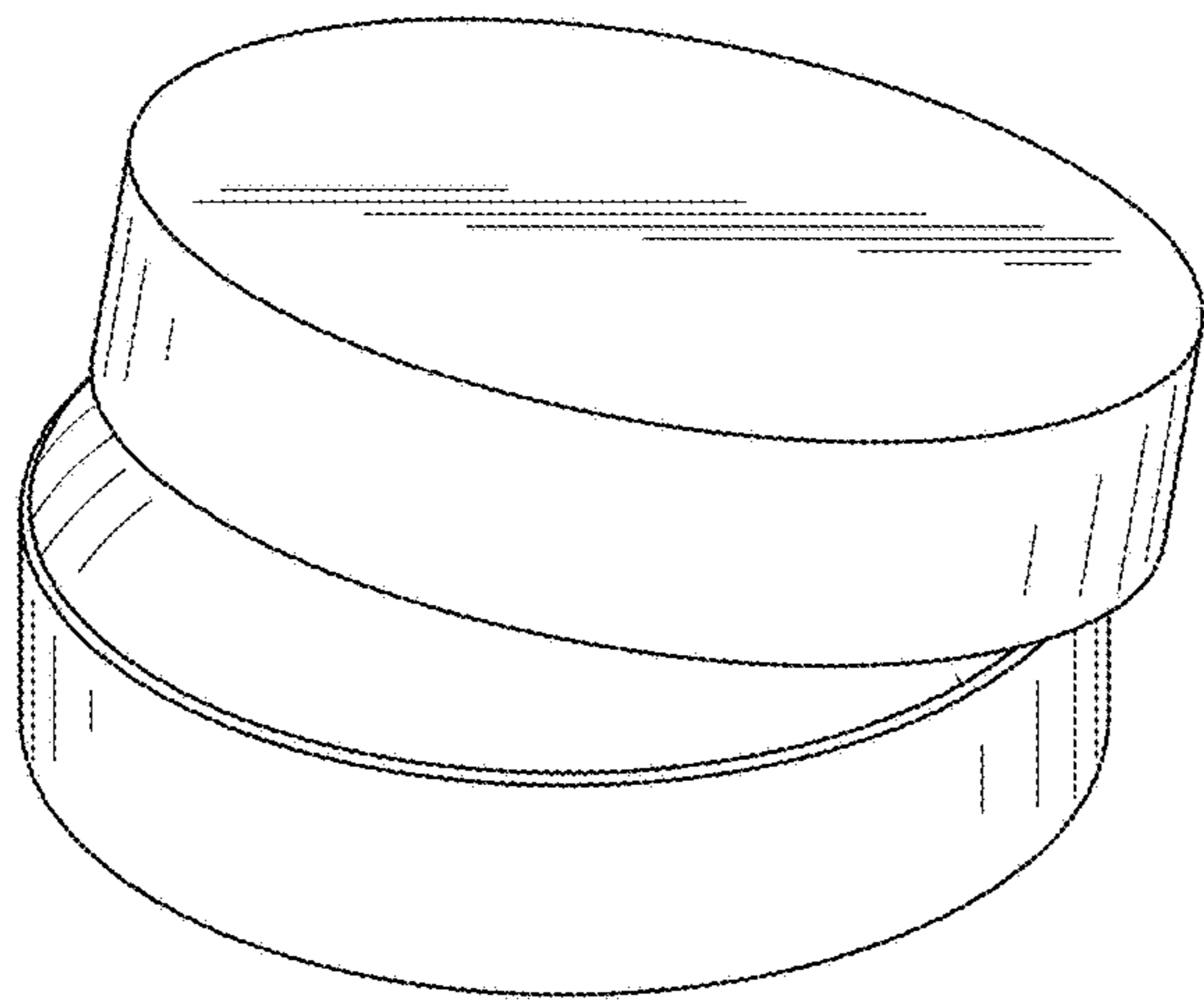


FIG. 8

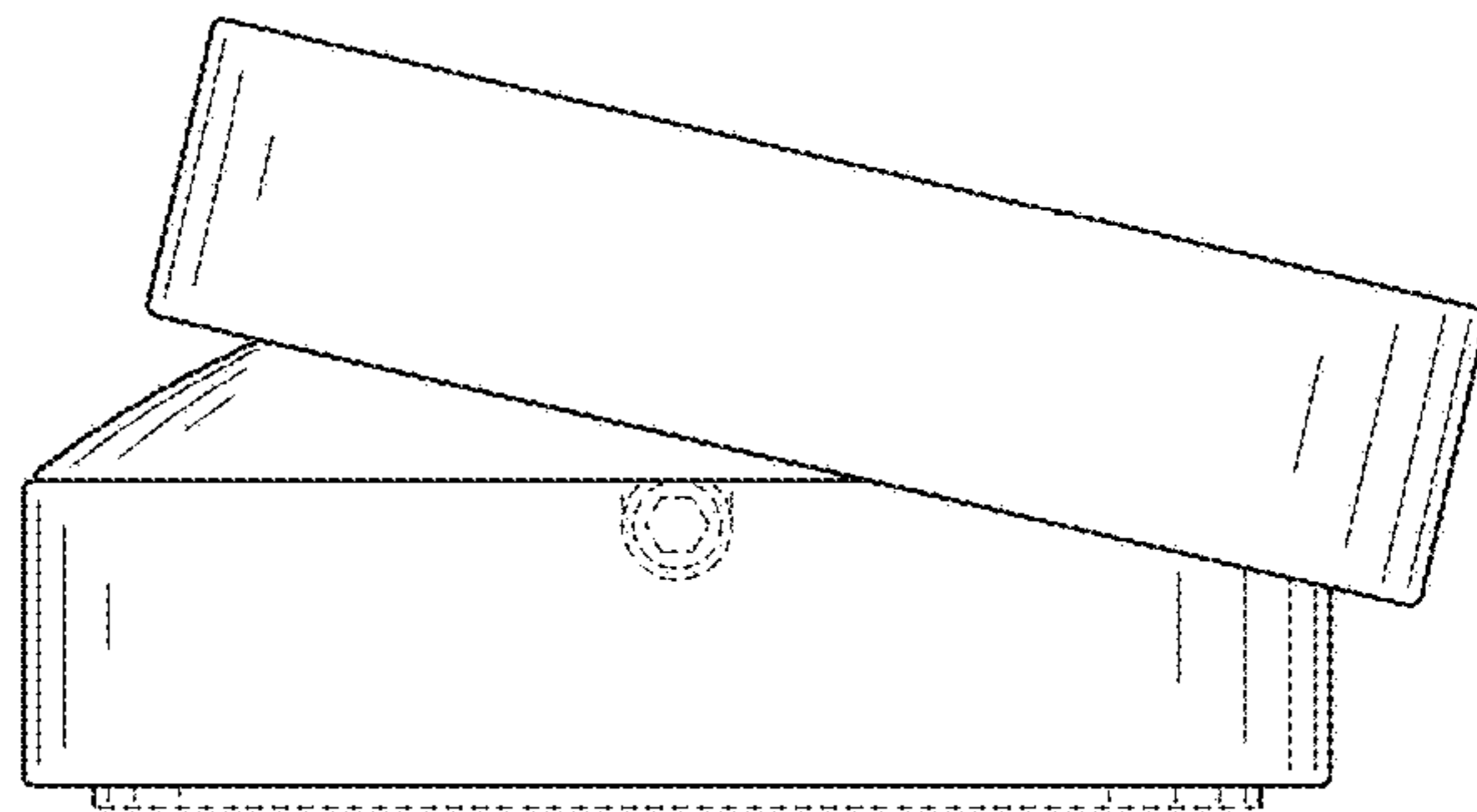


FIG. 9

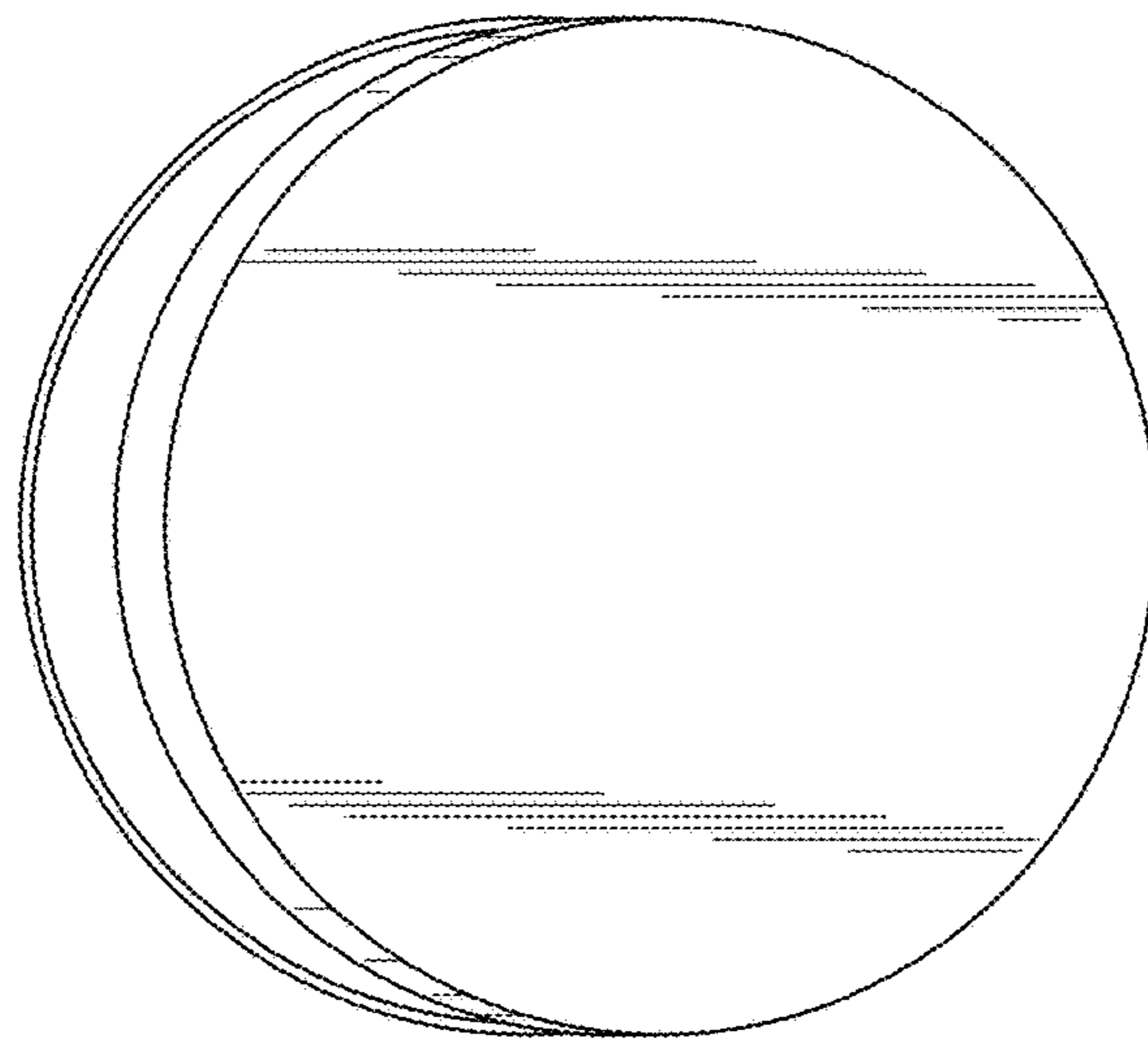


FIG. 10

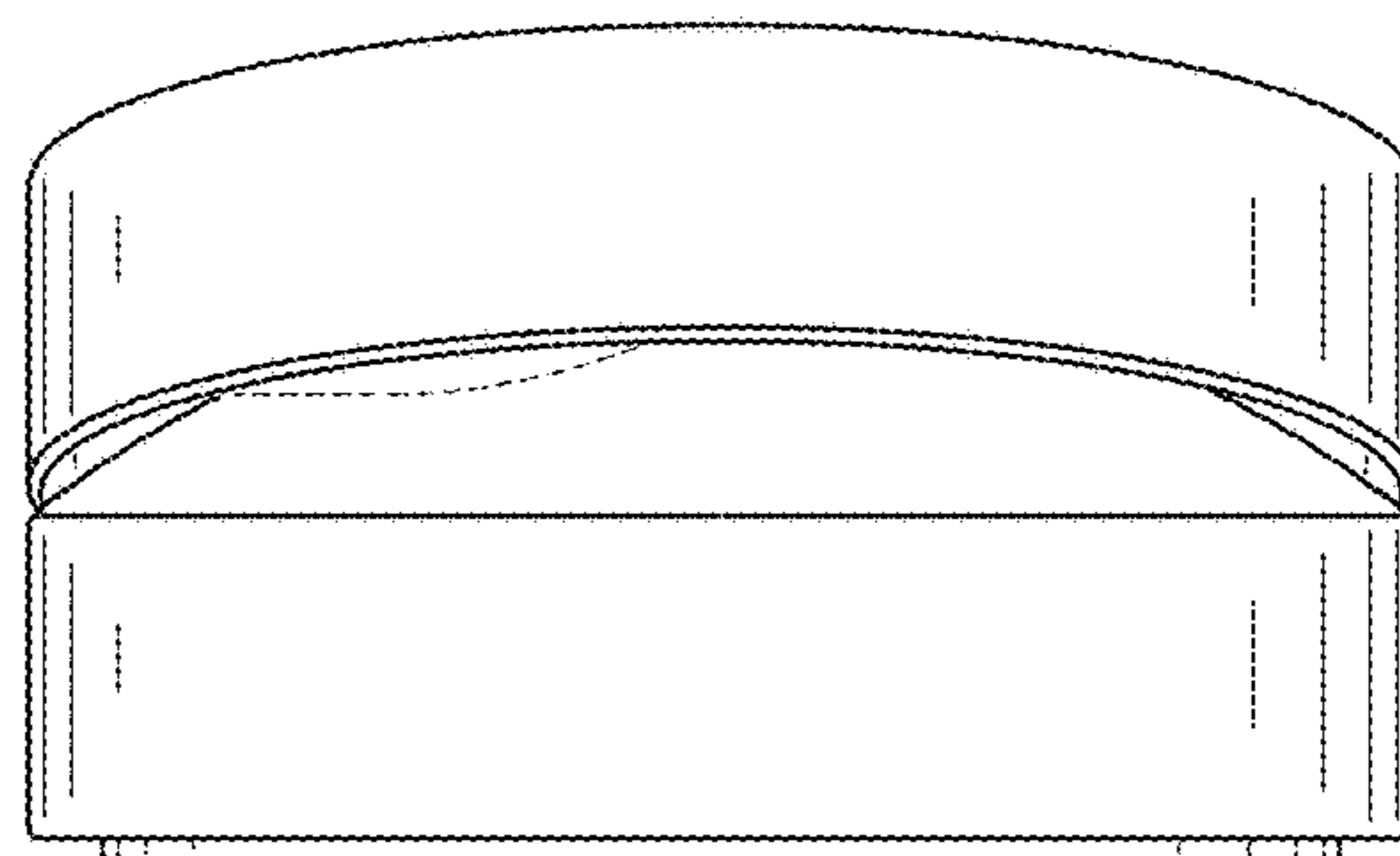


FIG. 11

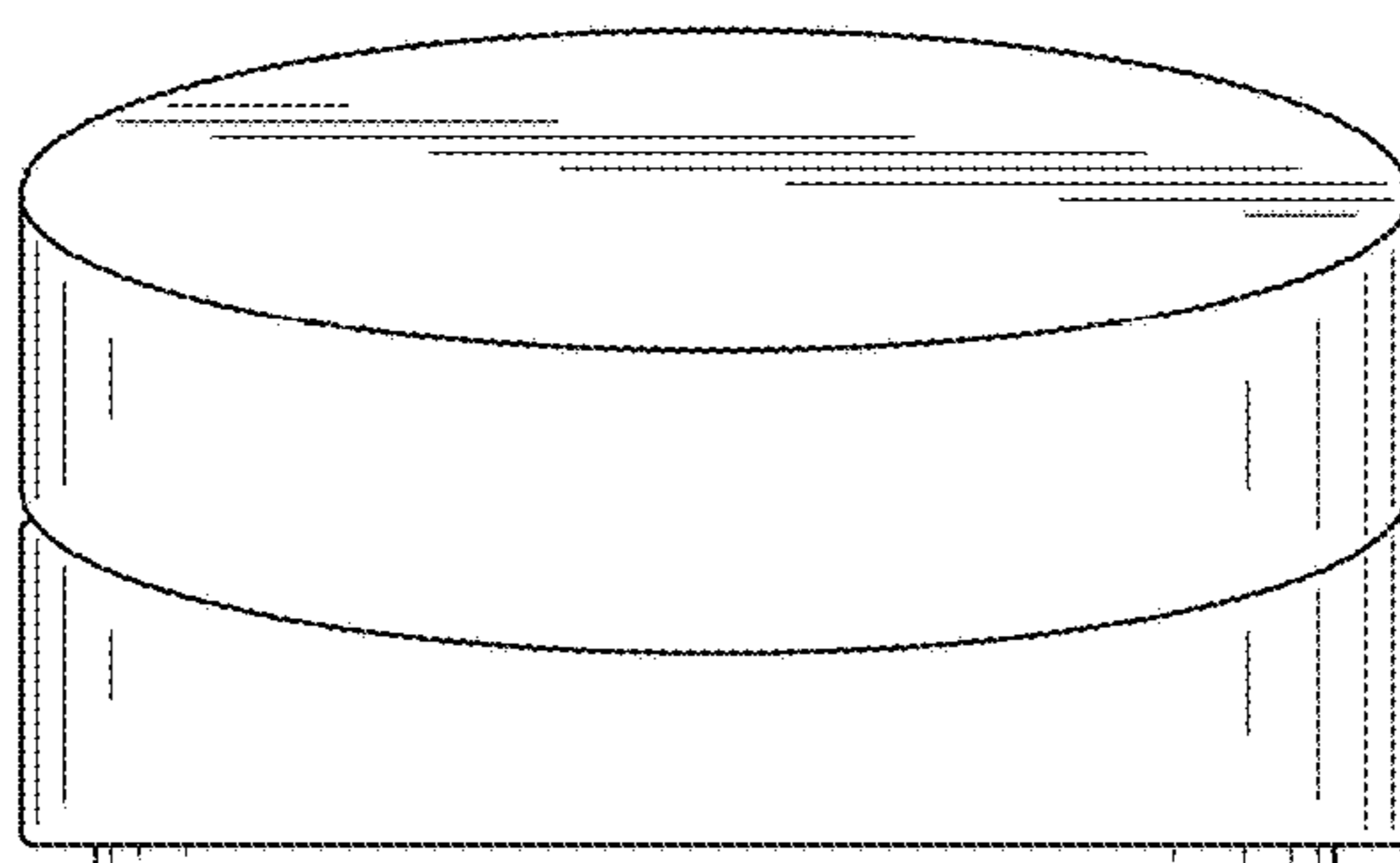


FIG. 12

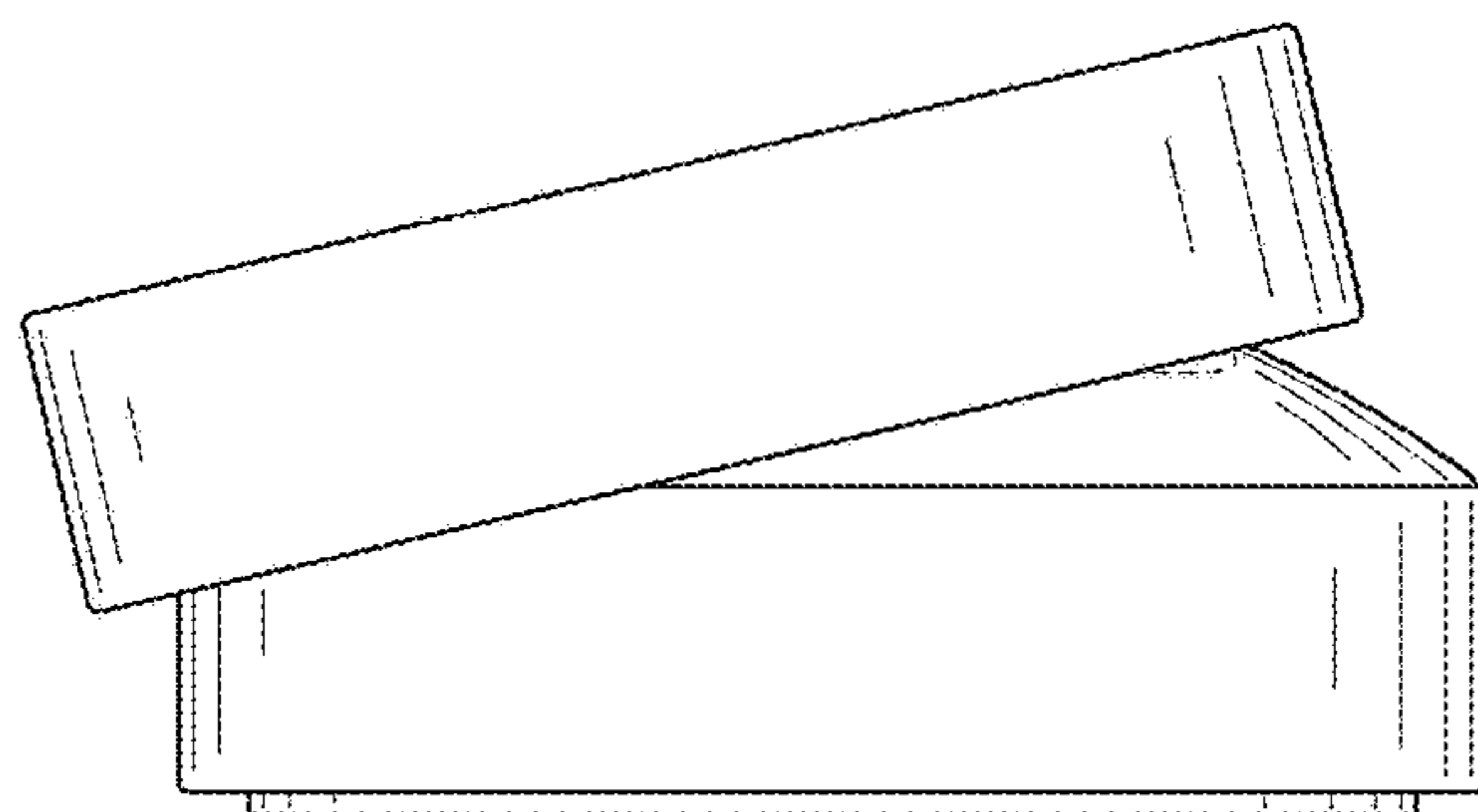


FIG. 13

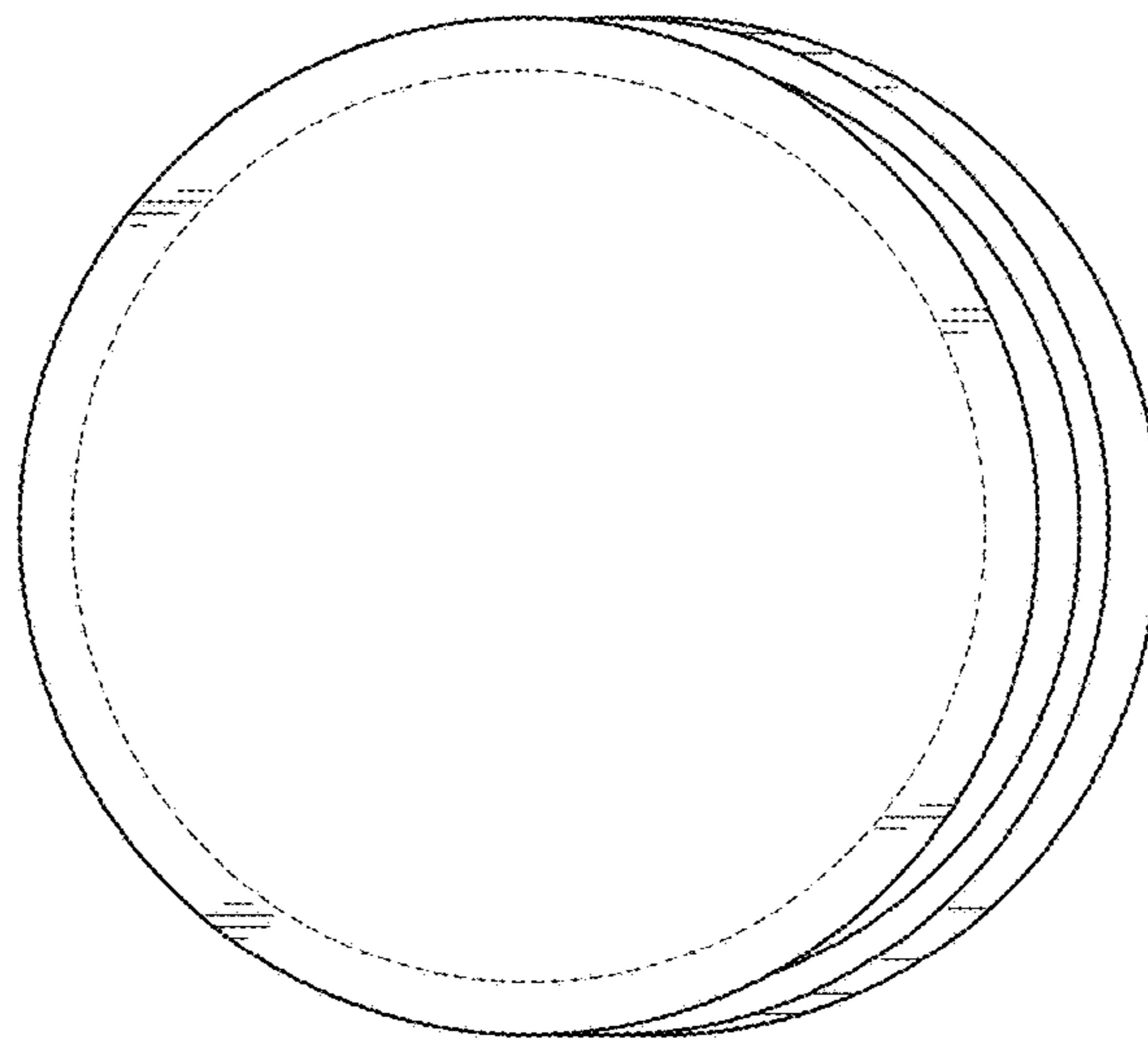


FIG. 14