



US00D837942S

(12) **United States Design Patent**
Soulier

(10) **Patent No.:** **US D837,942 S**
(45) **Date of Patent:** **** Jan. 8, 2019**

- (54) **FAUCET**
- (71) Applicant: **Kohler Co.**, Kohler, WI (US)
- (72) Inventor: **Jean-Hugues Soulier**, Paris (FR)
- (73) Assignee: **KOHLER CO.**, Kohler, WI (US)
- (**) Term: **15 Years**
- (21) Appl. No.: **29/658,311**
- (22) Filed: **Jul. 30, 2018**

- D534,993 S 1/2007 Kirar
- D540,918 S 4/2007 Haug
- D545,664 S 7/2007 Fields
- D559,956 S 1/2008 Heck
- D584,383 S 1/2009 Eilmus
- D585,529 S 1/2009 Eilmus
- D669,557 S 10/2012 Citterio
- D714,911 S 10/2014 Cai
- D786,407 S 5/2017 Clarke
- D802,101 S 11/2017 Kirar

Primary Examiner — Robert A Delehanty
(74) *Attorney, Agent, or Firm* — Foley & Lardner LLP

Related U.S. Application Data

- (62) Division of application No. 29/585,175, filed on Nov. 21, 2016, now Pat. No. Des. 827,784.
- (51) **LOC (11) Cl.** **23-01**
- (52) **U.S. Cl.**
USPC **D23/242**
- (58) **Field of Classification Search**
USPC D23/238–243, 249–250, 252, 254–255,
D23/257, 245; D8/300, 310, 343
CPC Y10T 137/9464
See application file for complete search history.

(57) **CLAIM**

I claim the ornamental design for a faucet, as shown and described.

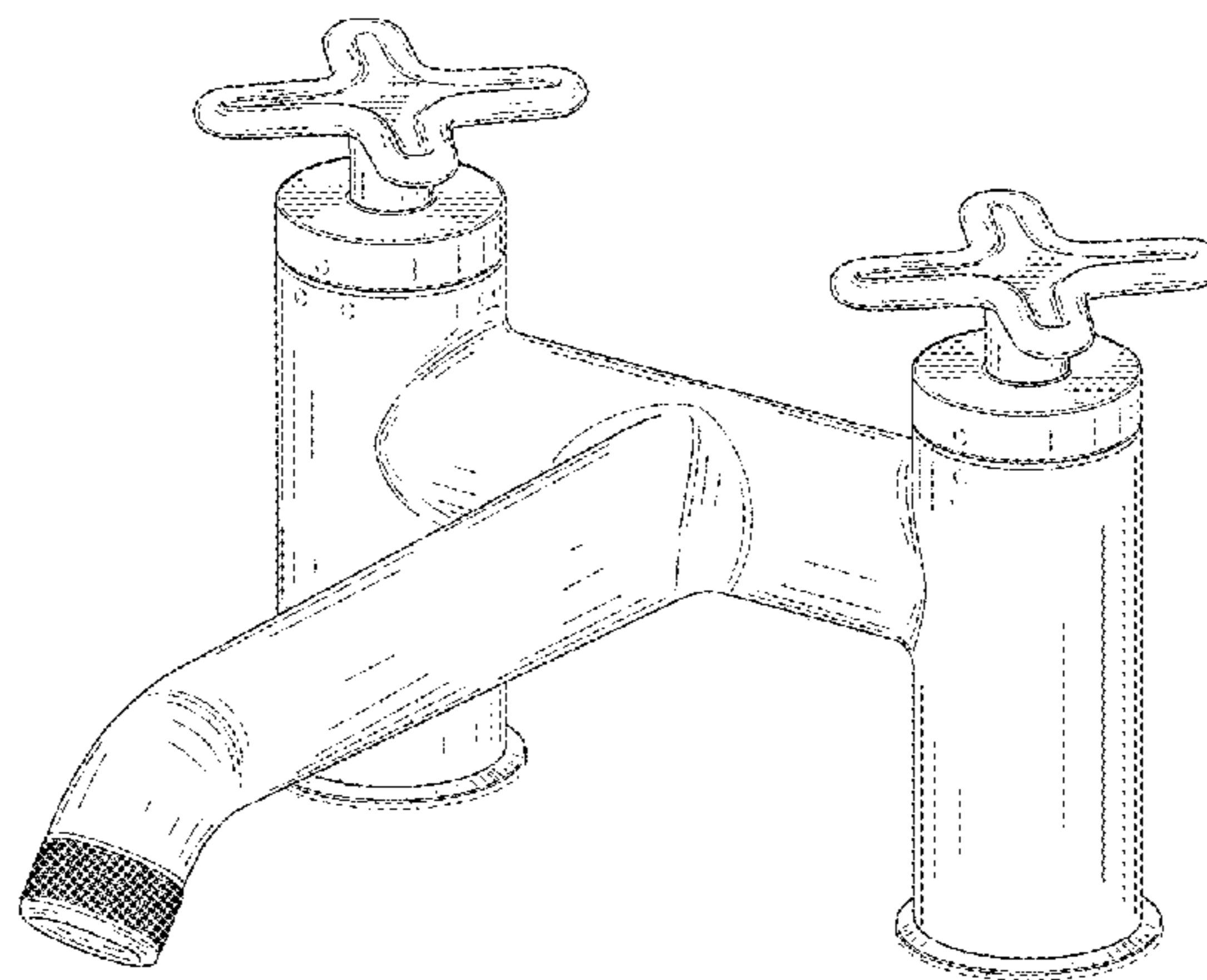
DESCRIPTION

FIG. 1 is a top, front, right perspective view of an embodiment of the claimed design;
 FIG. 2 is a front elevation view thereof;
 FIG. 3 is a rear elevation view thereof;
 FIG. 4 is a left side elevation view thereof;
 FIG. 5 is a right side elevation view thereof;
 FIG. 6 is a top plan view thereof; and,
 FIG. 7 is a bottom plan view thereof.

The ornamental design which is claimed is shown in solid lines in the drawings. The broken lines in the drawings are for illustrative purposes only and form no part of the claimed design. Broken lines formed by equal length dashes show unclaimed subject matter.

- (56) **References Cited**
U.S. PATENT DOCUMENTS
D464,249 S 10/2002 Laabs
D484,386 S 12/2003 Thomas
D532,086 S 11/2006 Haug

1 Claim, 6 Drawing Sheets



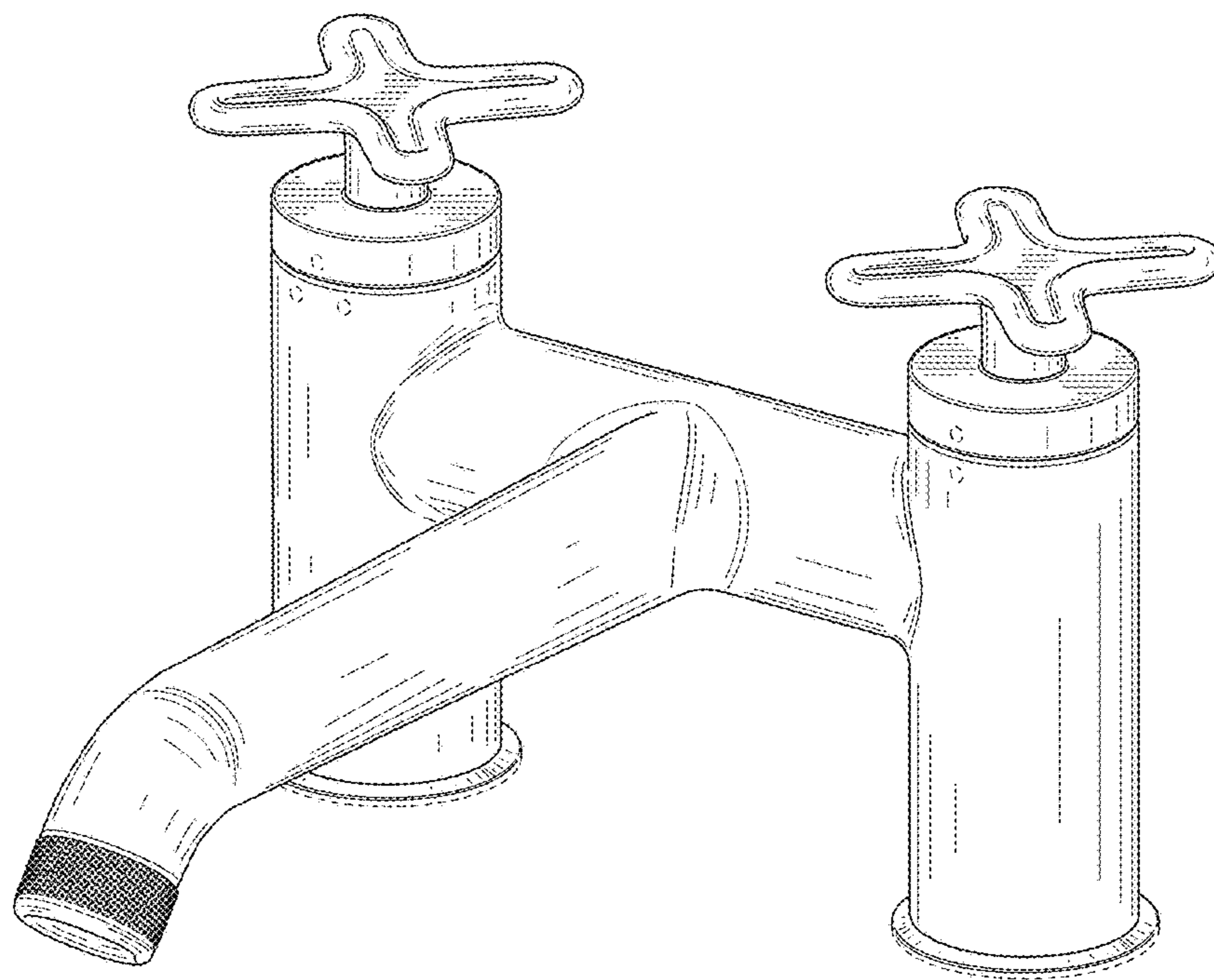


FIG. 1

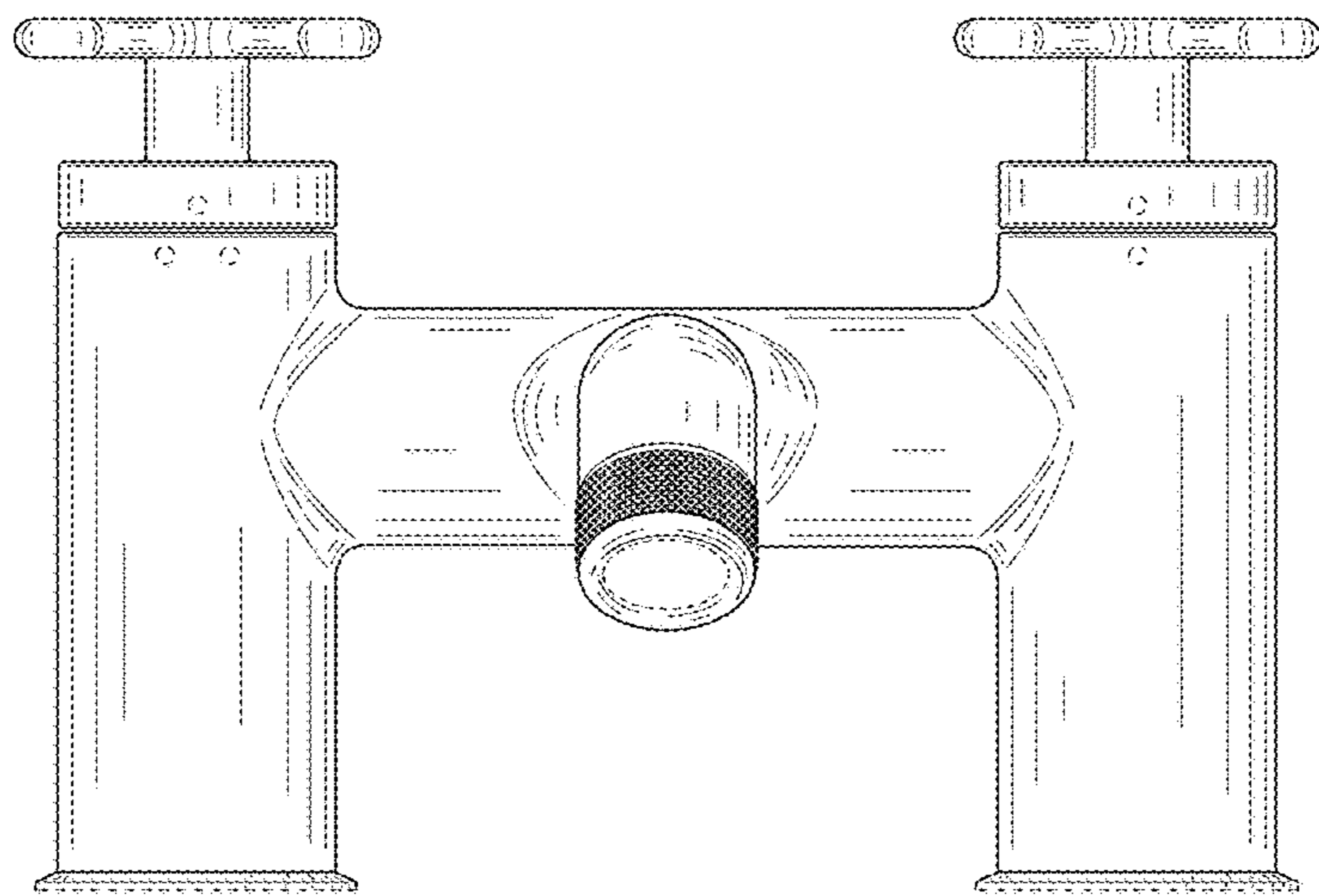


FIG. 2

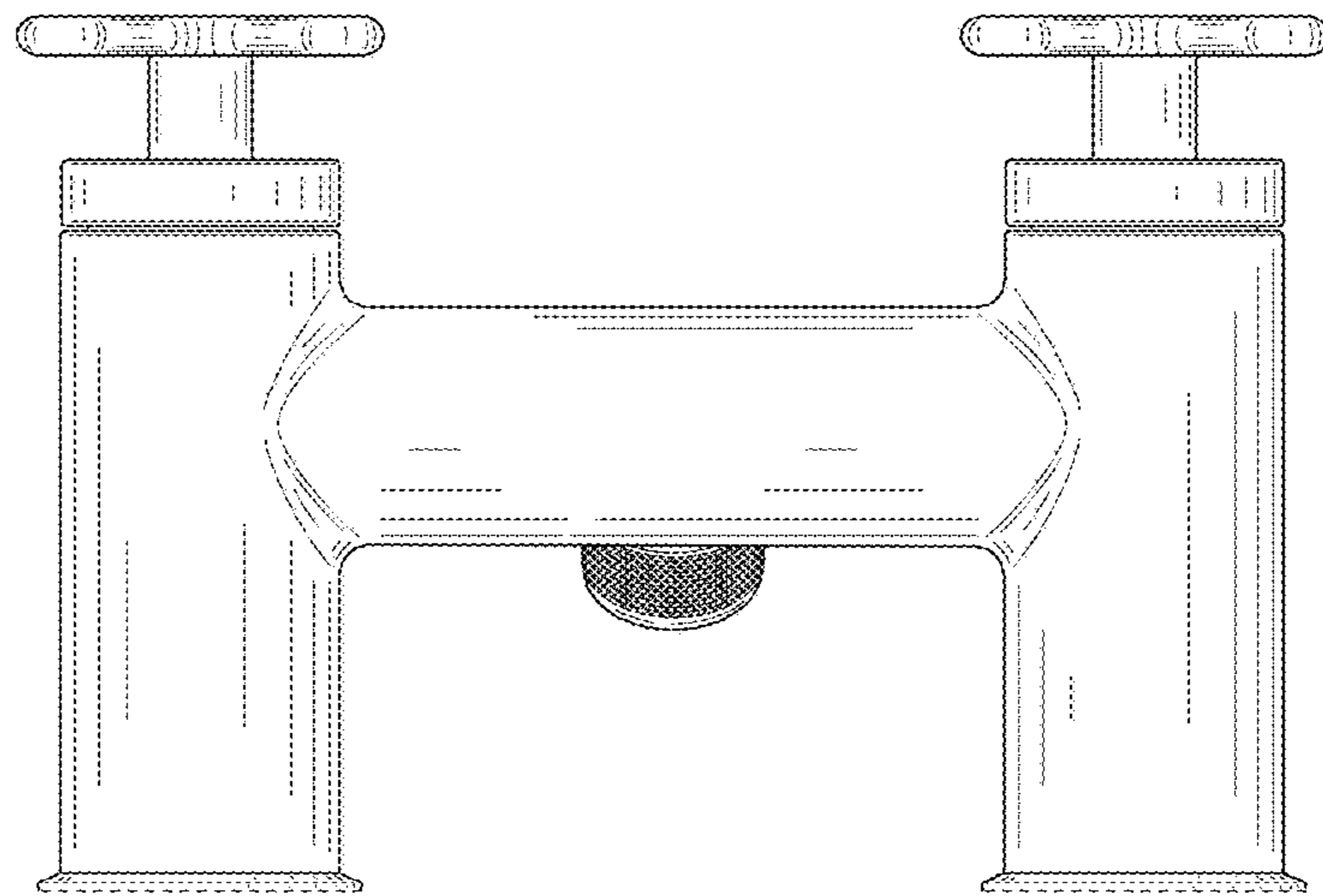


FIG. 3

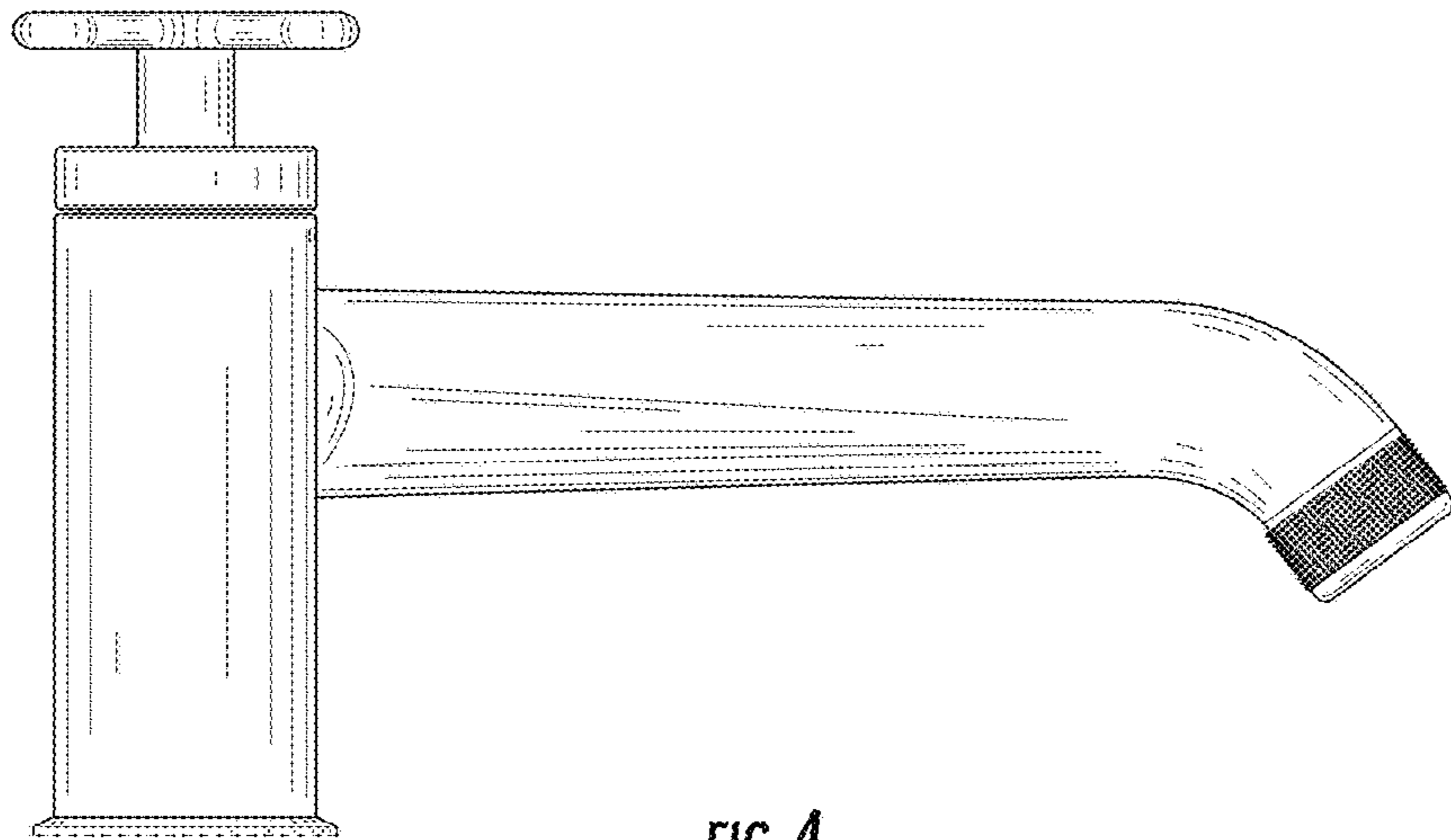


FIG. 4

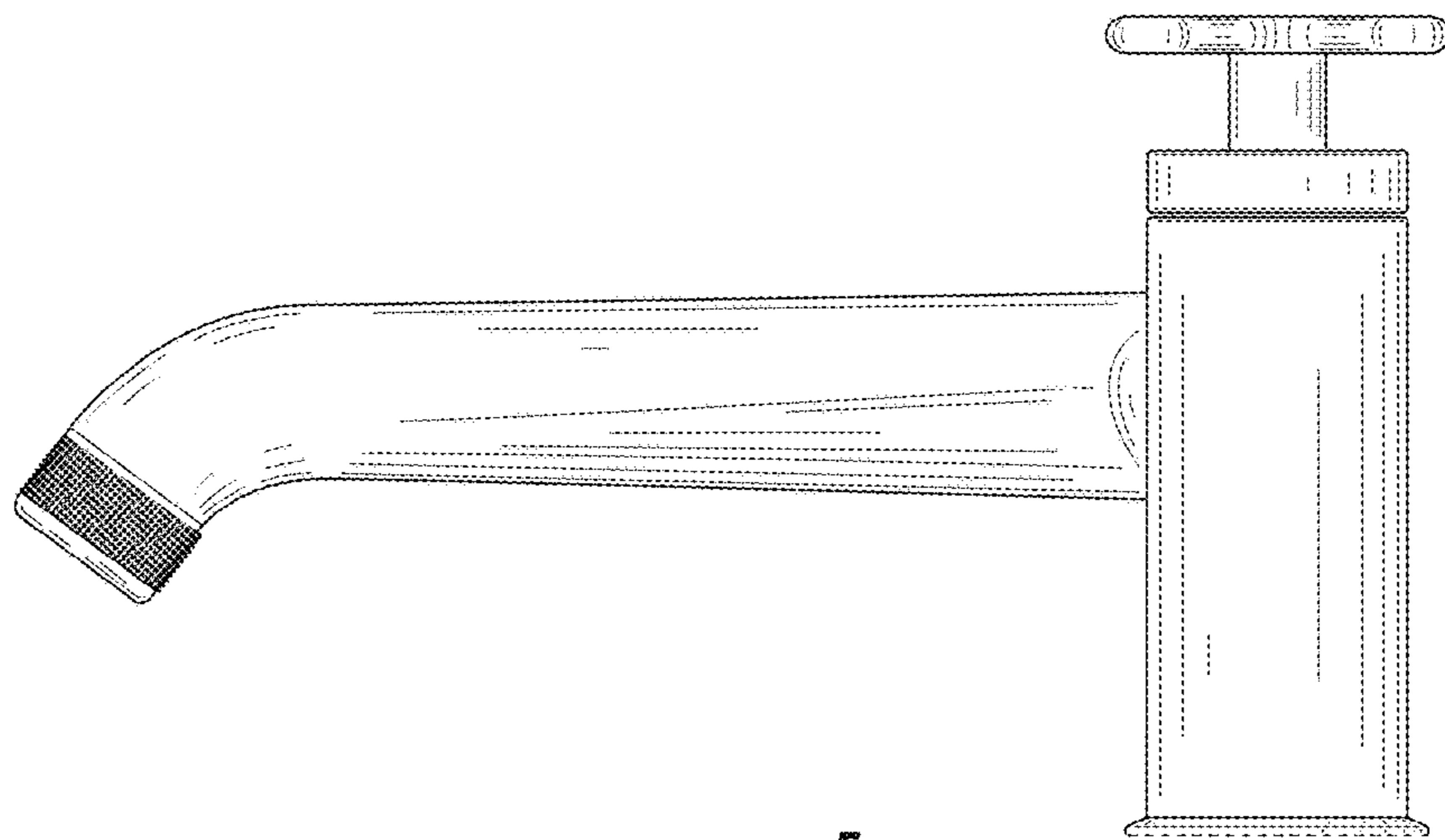


FIG. 5

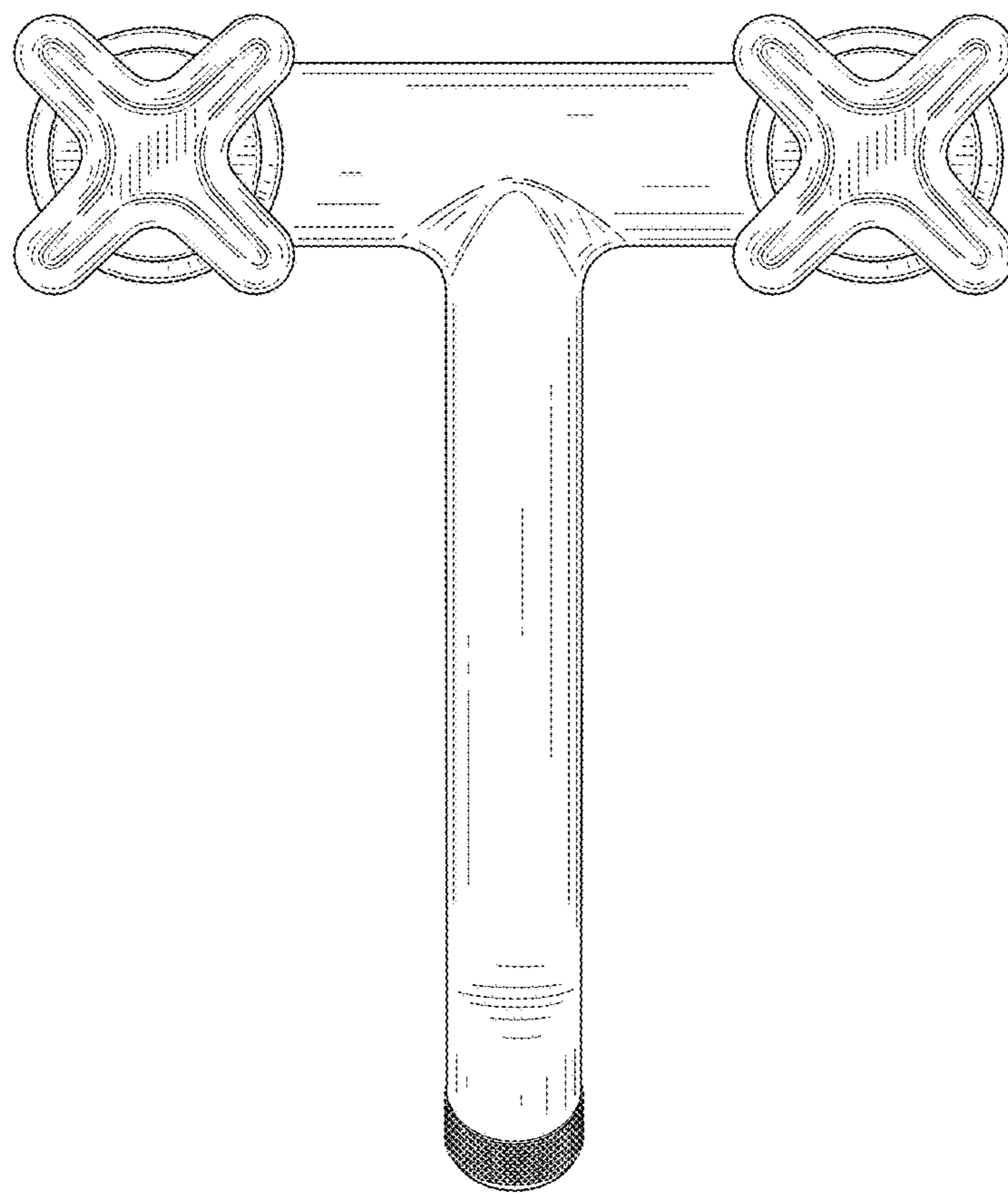


FIG. 6

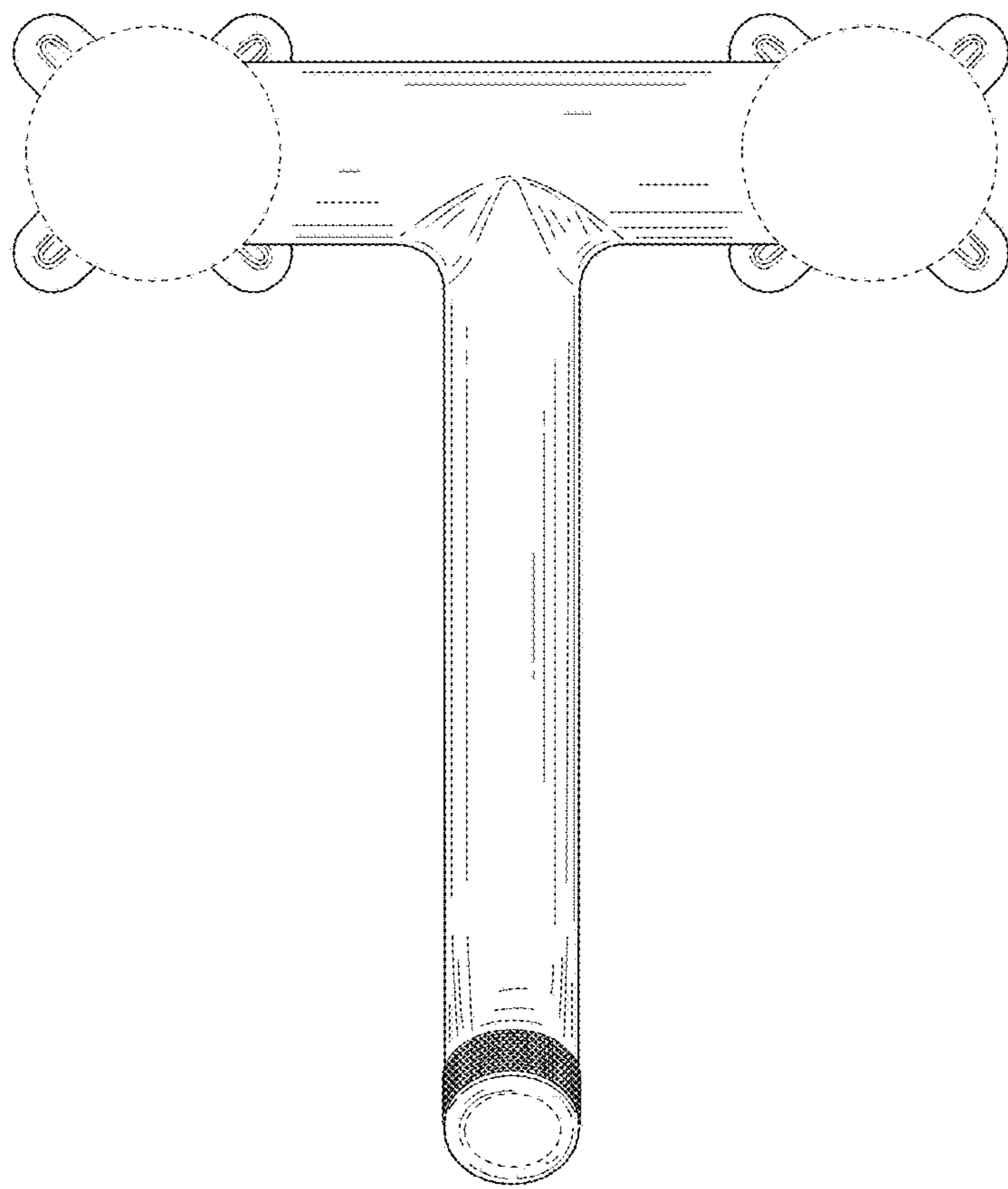


FIG. 7