



US00D837941S

(12) **United States Design Patent**
L'Henaff et al.

(10) **Patent No.:** **US D837,941 S**
(45) **Date of Patent:** **** Jan. 8, 2019**

(54) **FAUCET, HANDLE AND HAND-HELD SHOWER BRACKET ENSEMBLE**

D784,494 S *	4/2017	Wang	D23/239
D800,264 S *	10/2017	Andrew	D23/242
D811,861 S *	3/2018	Ravassa	D8/367
D815,252 S *	4/2018	Ravassa	D23/250
D817,462 S *	5/2018	L'Henaff	D23/255

(71) Applicant: **AS IP Holdco, LLC**, Piscataway, NJ (US)

(72) Inventors: **Jean-Jacques L'Henaff**, New Canaan, CT (US); **Gabriela Ravassa**, Brooklyn, NY (US)

(73) Assignee: **AS IP Holdco, LLC**, Piscataway, NJ (US)

(**) Term: **15 Years**

(21) Appl. No.: **29/590,305**

(22) Filed: **Jan. 9, 2017**

(51) **LOC (11) Cl.** **23-01**

(52) **U.S. Cl.**
USPC **D23/239**

(58) **Field of Classification Search**
USPC D23/238-242, 249, 255, 257; D8/307, D8/310

CPC Y10T 137/9464
See application file for complete search history.

(56) **References Cited**

U.S. PATENT DOCUMENTS

4,334,492 A *	6/1982	Klingler	G05G 1/10 116/309
D272,468 S *	1/1984	Bulgarelli	D23/250
D525,346 S *	7/2006	Kulig	D23/238
D582,519 S *	12/2008	Lobermeier	D23/242
D706,755 S *	6/2014	Barrall	H04L 29/08 D14/299
D716,658 S *	11/2014	Sillince	D9/447

OTHER PUBLICATIONS

Examiner's Report dated Jan. 3, 2018, directed to CA Application No. 175814; 1 pages.

First Office Action dated Nov. 16, 2017, directed to CN Application No. 201730295985.X; 2 pages.

Office Action dated May 22, 2018, directed to BR Application BR 30 2017 002766-0; 2 pages.

* cited by examiner

Primary Examiner — Robert A Delehanty

(74) *Attorney, Agent, or Firm* — Morrison & Foerster LLP

(57) **CLAIM**

The ornamental design for a faucet, handle and hand-held shower bracket ensemble, as shown and described.

DESCRIPTION

FIG. 1 is a front and right side perspective view of a faucet, handle and hand-held shower bracket ensemble showing the new design;

FIG. 2 is a front elevational view thereof;

FIG. 3 is a rear elevational view thereof;

FIG. 4 is a top plan view thereof;

FIG. 5 is a bottom plan view thereof;

FIG. 6 is a left side elevational view thereof;

FIG. 7 is a right side elevational view thereof; and,

FIG. 8 is a further perspective view thereof.

The features shown in broken lines form no part of the claimed design.

1 Claim, 5 Drawing Sheets

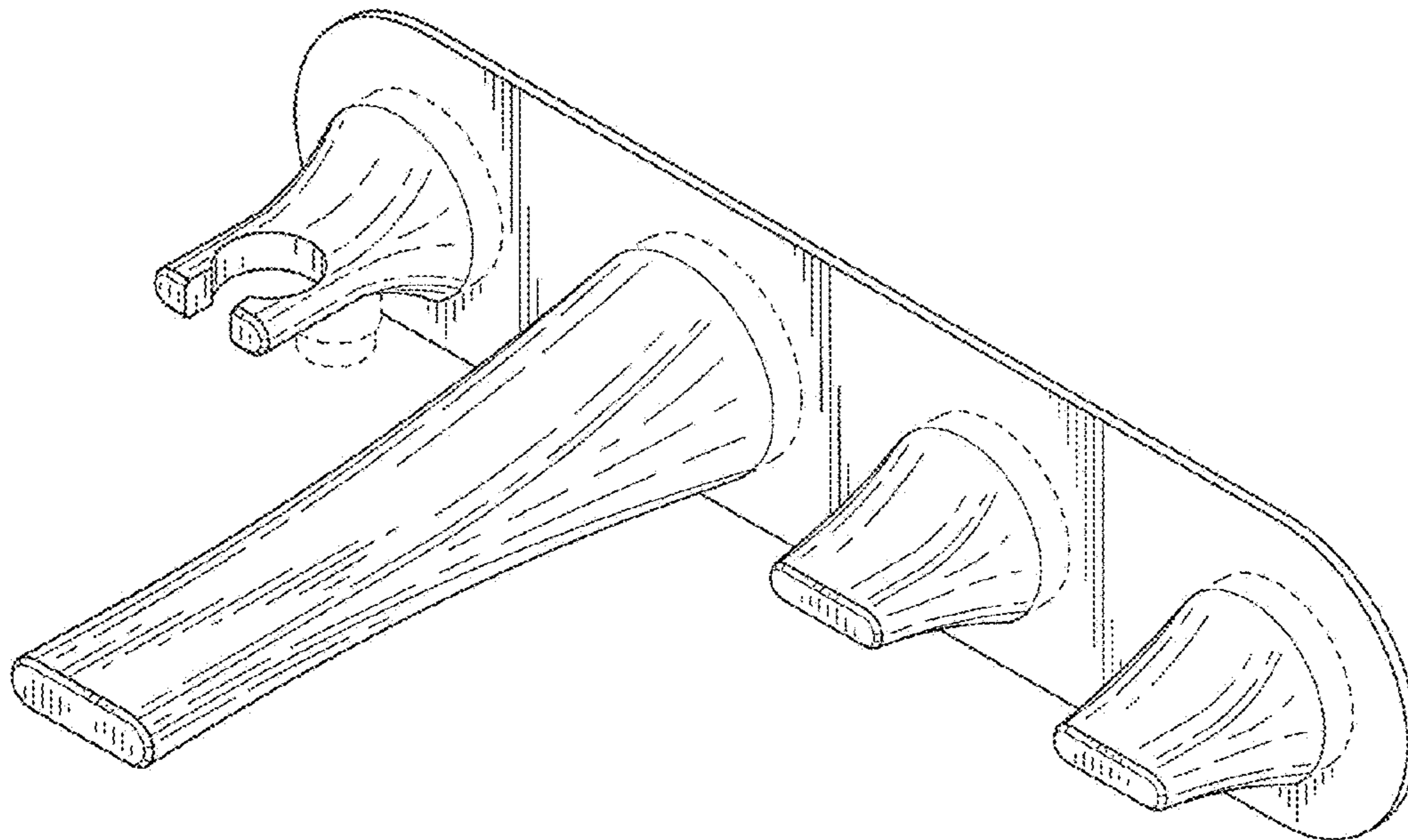


FIG. 1

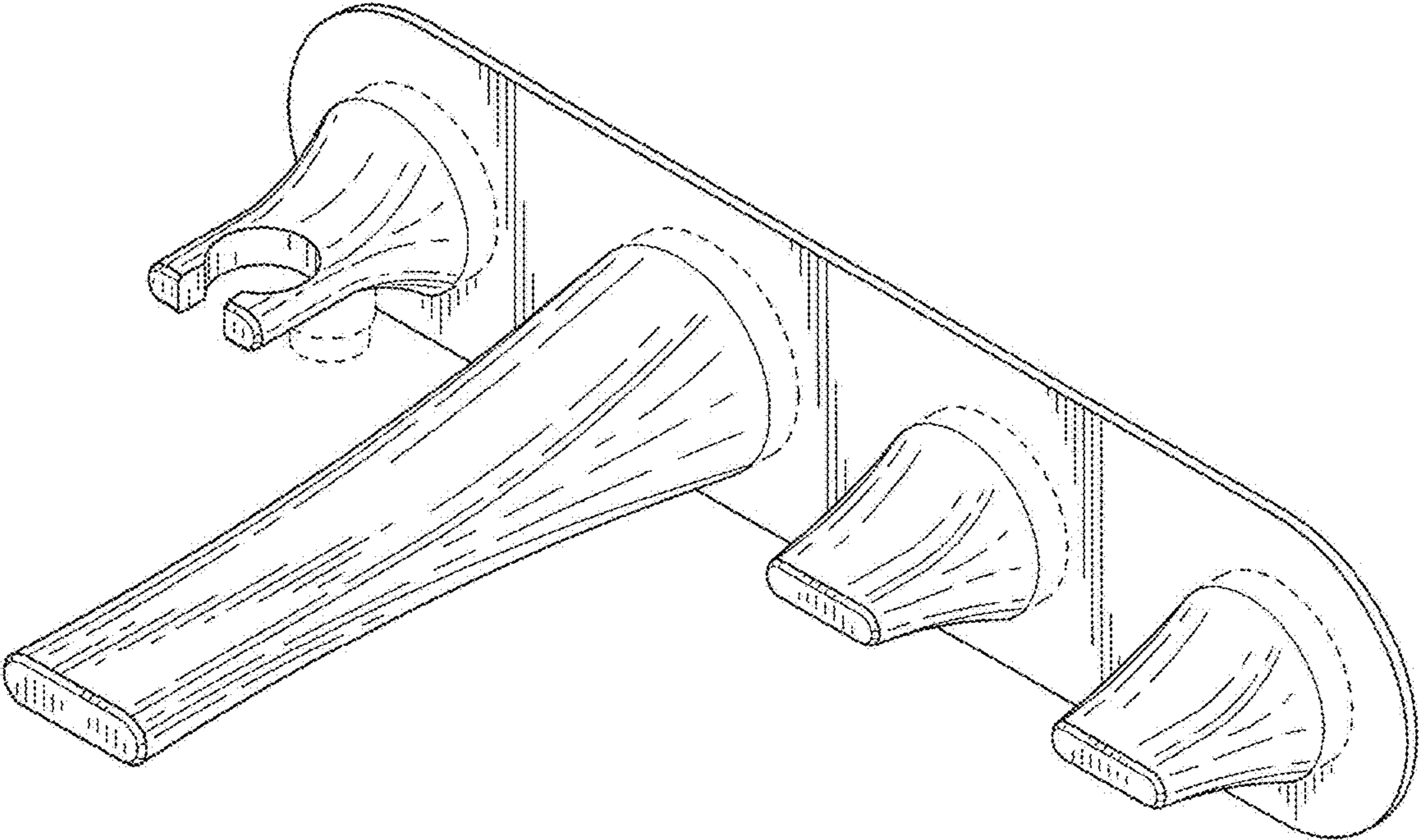


FIG. 2

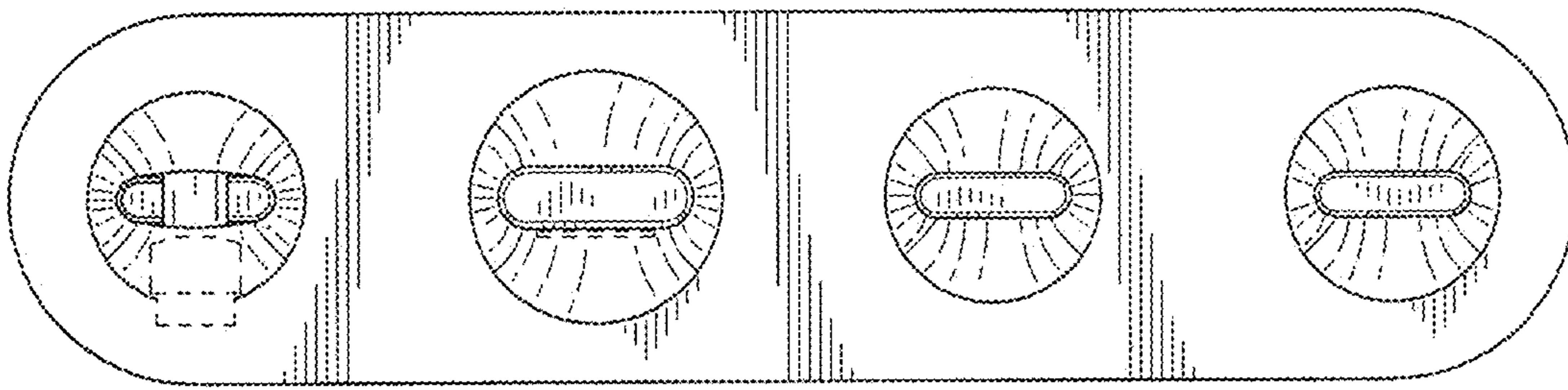


FIG. 3

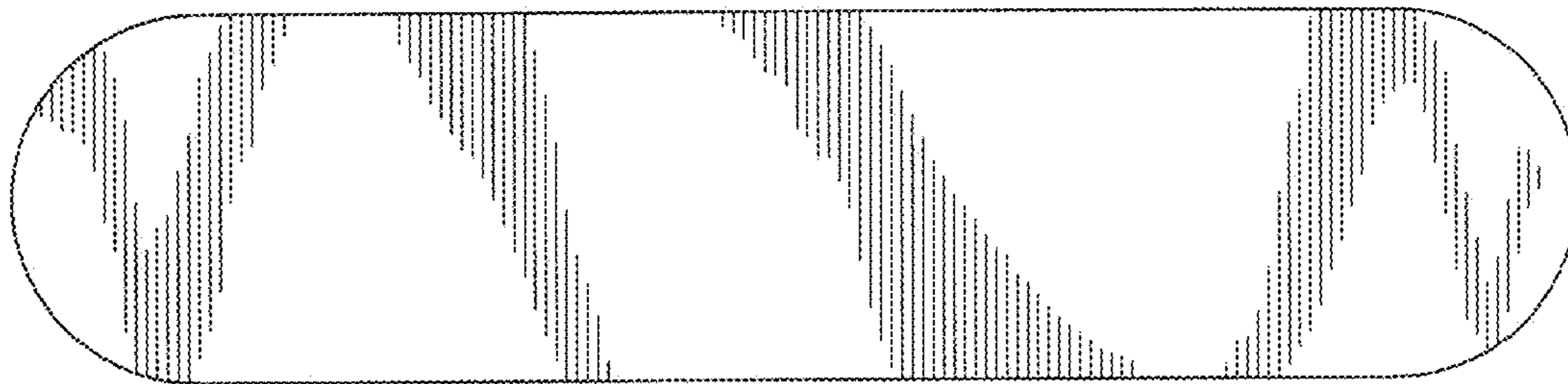


FIG. 4

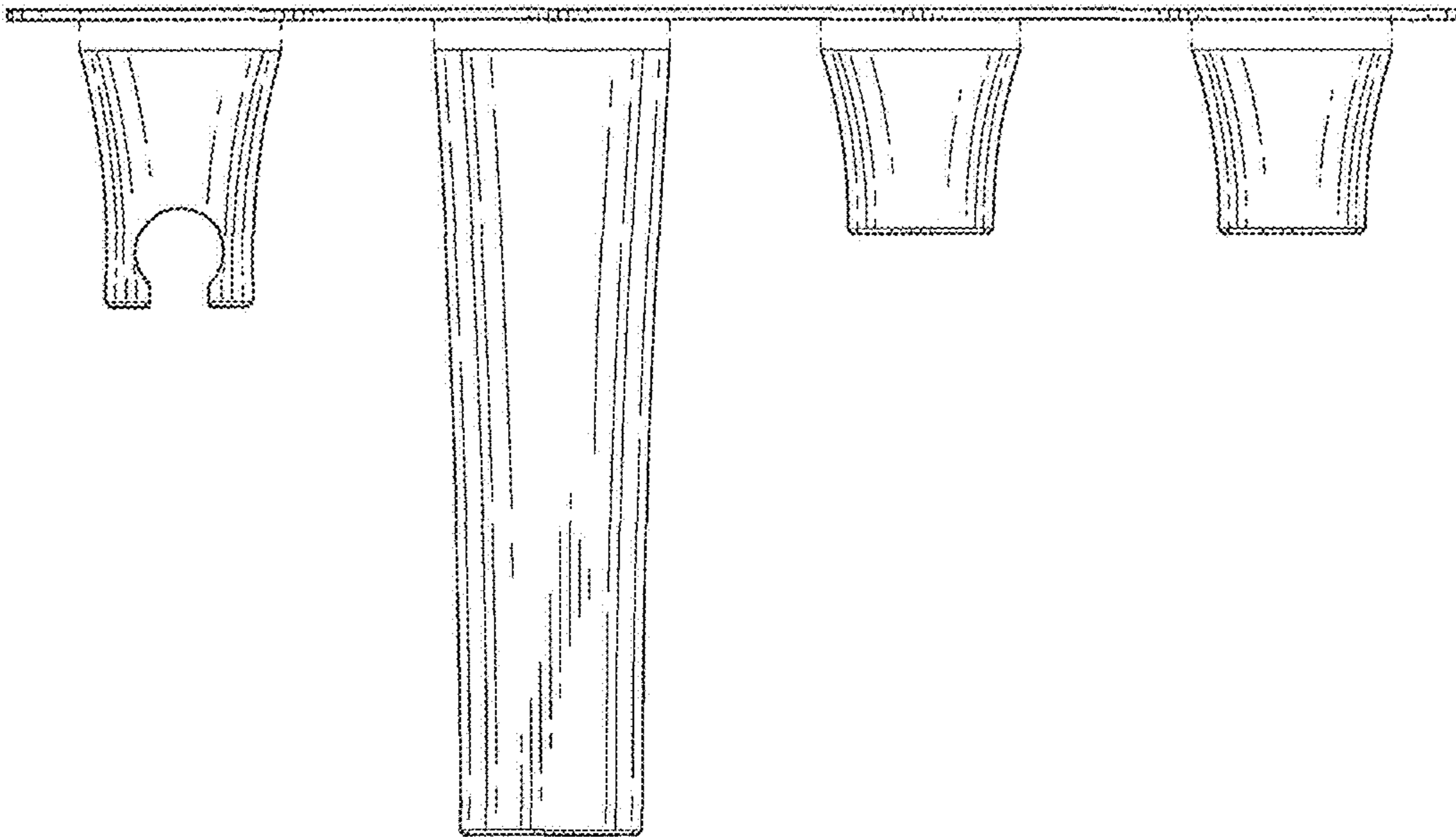


FIG. 5

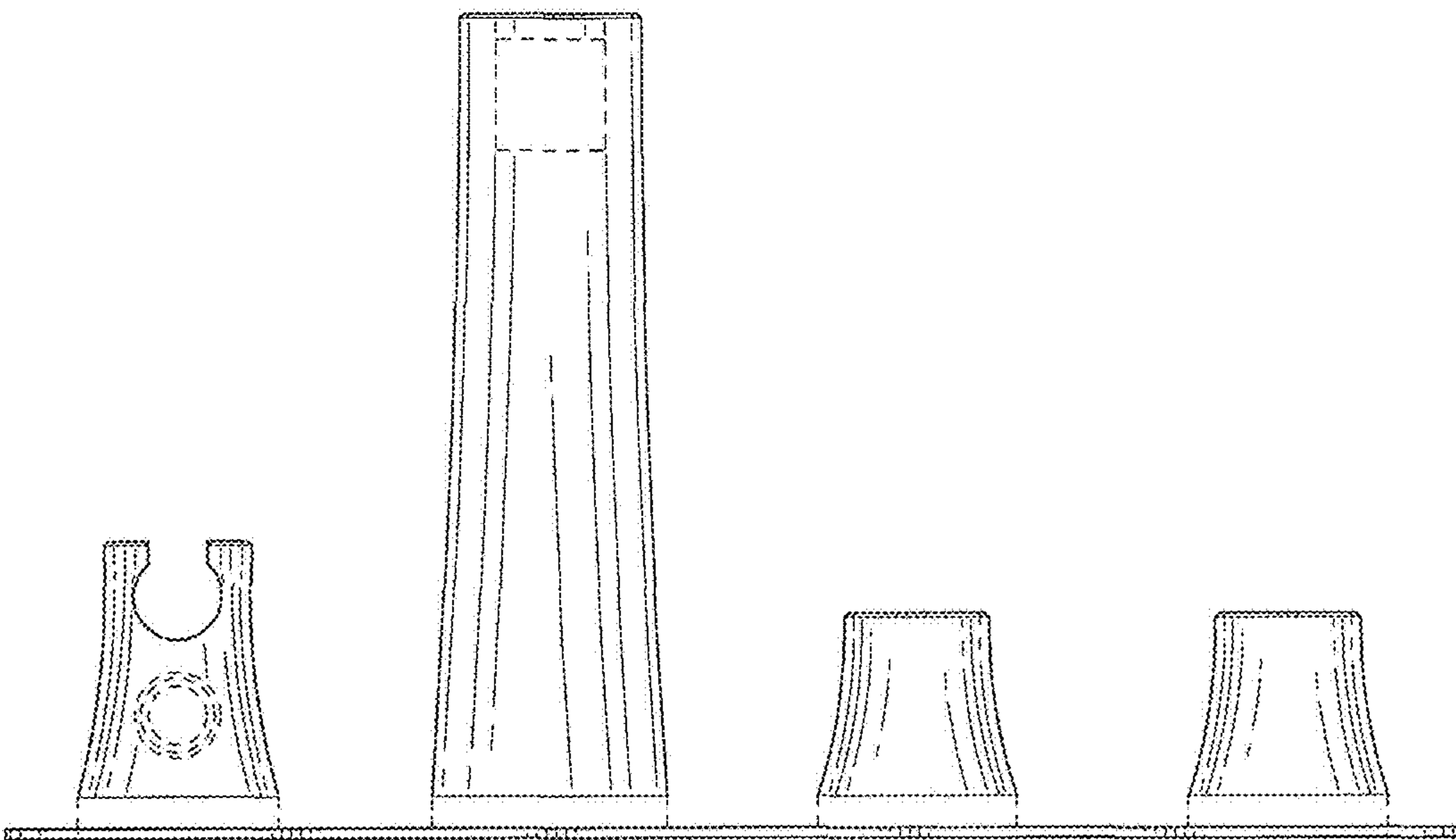


FIG. 6

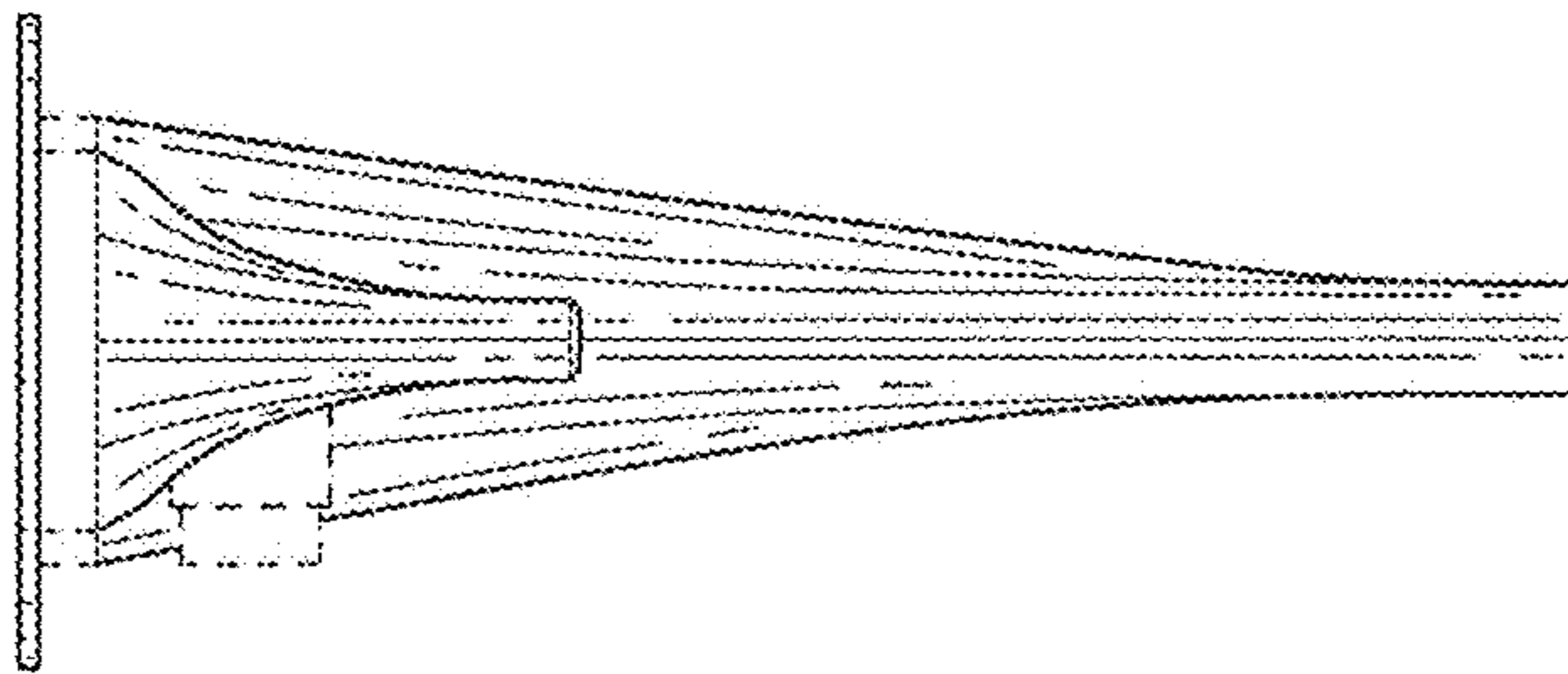


FIG. 7

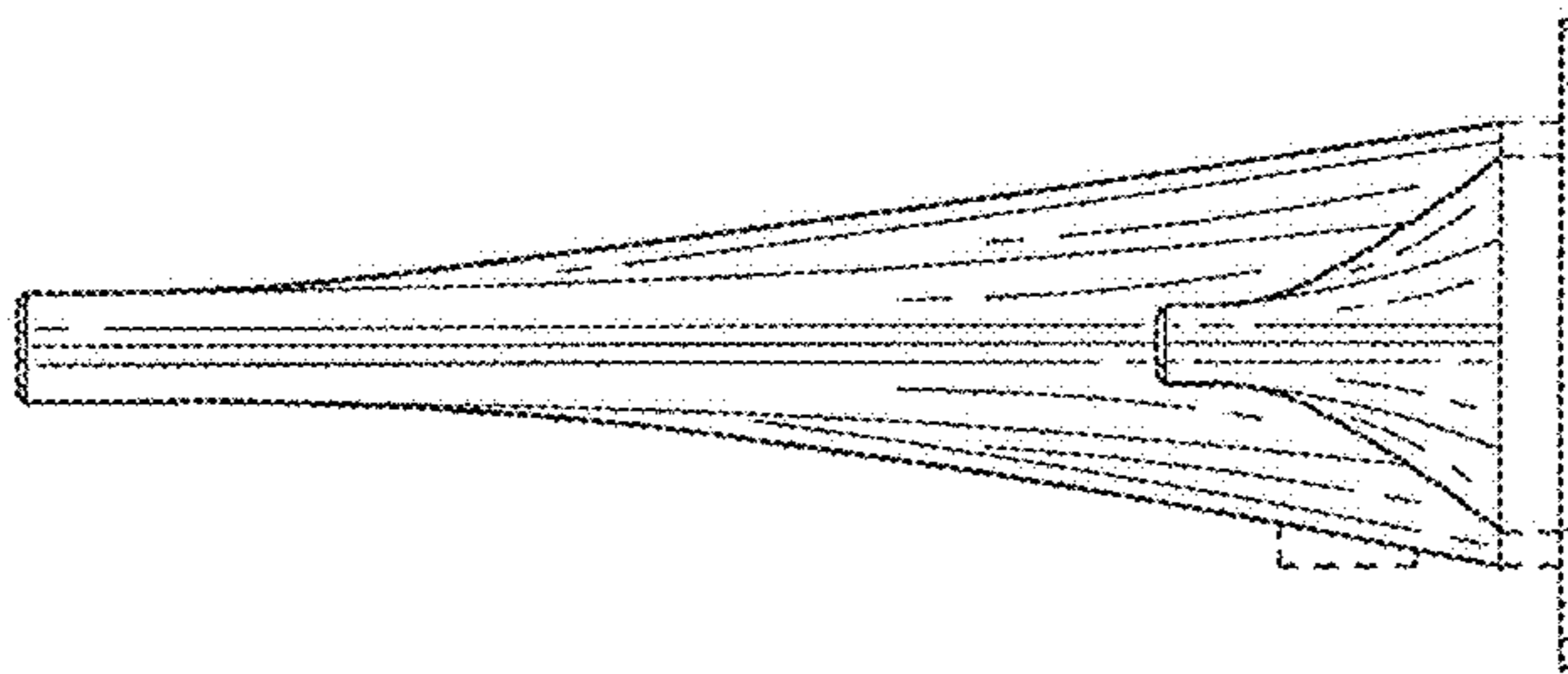


FIG. 8

