



US00D837940S

(12) **United States Design Patent**  
**Rivelsrud et al.**

(10) **Patent No.:** **US D837,940 S**

(45) **Date of Patent:** **\*\* Jan. 8, 2019**

(54) **WATER FAUCET**

(71) Applicant: **FROST WATER AS**, Fredrikstad (NO)

(72) Inventors: **Jon Asle Rivelsrud**, Eiksmarka (NO);  
**Peder Ragnvald Køltzow**, Fornebu (NO)

(73) Assignee: **Frost Water AS**, Fredrikstad (NO)

(\*\*) Term: **15 Years**

(21) Appl. No.: **35/502,741**

(22) Filed: **Oct. 5, 2016**

(80) **Hague Agreement Data**

Int. Filing Date: **Oct. 5, 2016**  
Int. Reg. No.: **DM/092931**  
Int. Reg. Date: **Oct. 5, 2016**  
Int. Reg. Pub. Date: **Apr. 7, 2017**

(30) **Foreign Application Priority Data**

Apr. 7, 2016 (NO) ..... 20160347

(51) **LOC (11) Cl.** ..... **23-01**

(52) **U.S. Cl.**  
USPC ..... **D23/238**

(58) **Field of Classification Search**  
USPC ..... D23/233, 238, 239, 241–243, 245,  
D23/248–250, 255, 257, 207, 209, 264  
CPC ..... E03C 1/04; E03C 1/0401; E03C 1/0402;  
E03C 1/0404

See application file for complete search history.

(56) **References Cited**

U.S. PATENT DOCUMENTS

D249,275 S *	9/1978	Mackay .....	D23/209
D291,826 S *	9/1987	Maddock .....	366/143
D466,977 S *	12/2002	Cummings .....	D23/238
D580,519 S *	11/2008	Citterio .....	D23/238
D598,071 S *	8/2009	Lammel .....	D23/238
D613,374 S *	4/2010	Lammel .....	D23/238
D636,062 S *	4/2011	Rubin .....	D23/238
D694,366 S *	11/2013	Hahn .....	D23/238
D734,834 S *	7/2015	Flowers .....	D23/238
D750,203 S *	2/2016	Flowers .....	D23/238
D771,224 S *	11/2016	Flowers .....	D23/238

\* cited by examiner

*Primary Examiner* — Keli L Hill

(74) *Attorney, Agent, or Firm* — Kolisch Hartwell, P.C.

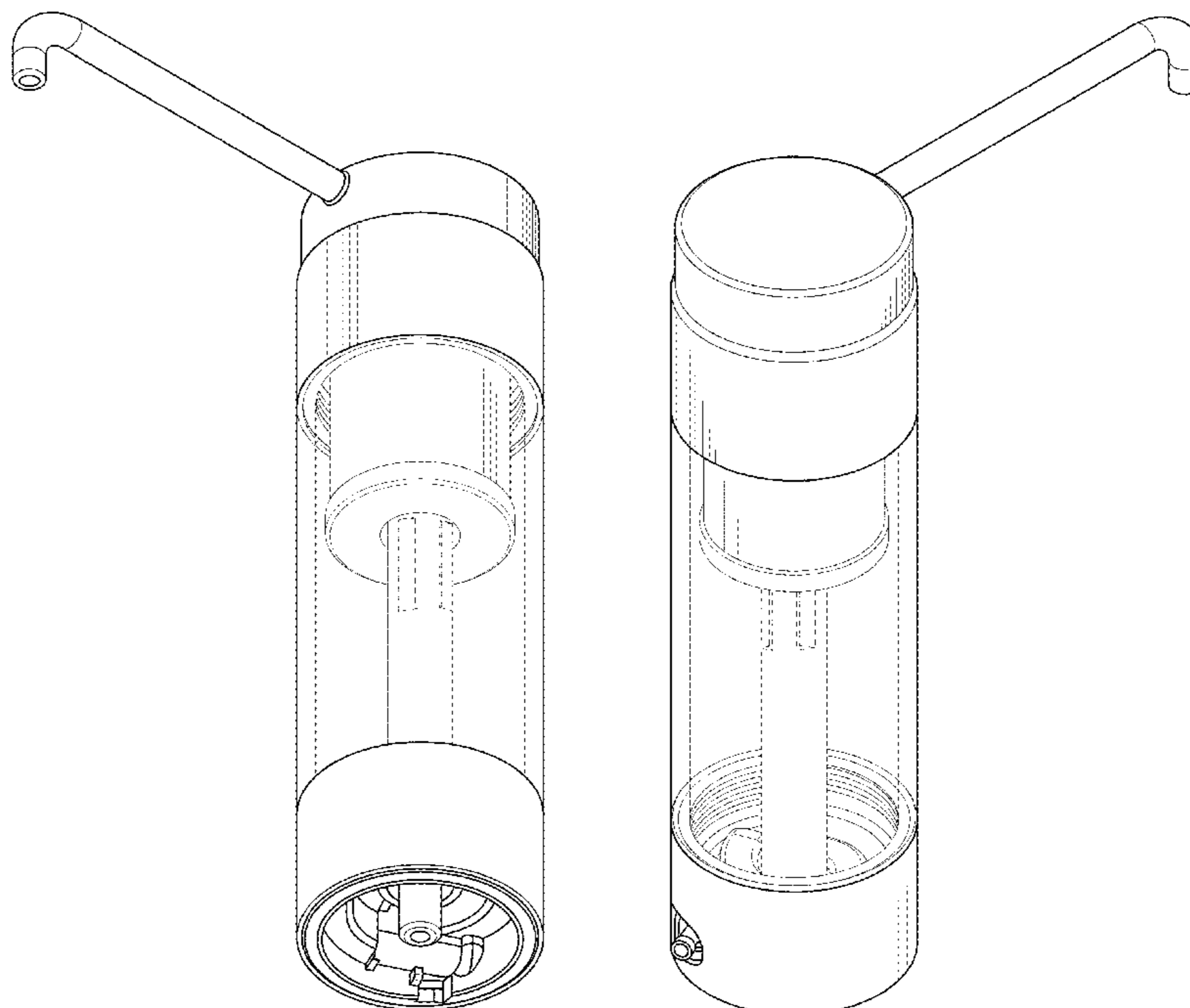
(57) **CLAIM**

The ornamental design for a water faucet, as shown and described.

**DESCRIPTION**

1.1 is a left elevation view of a water faucet showing the new design;  
1.2 is a rear elevation view thereof;  
1.3 is a bottom, front and right perspective view thereof;  
1.4 is a front elevation view thereof;  
1.5 is a top plan view thereof;  
1.6 is a bottom plan view thereof;  
1.7 is a top, rear and left perspective view thereof; and  
1.8 is a right elevation view thereof.  
The dashed lines and structures they depict form no part of the claimed design.

**1 Claim, 8 Drawing Sheets**



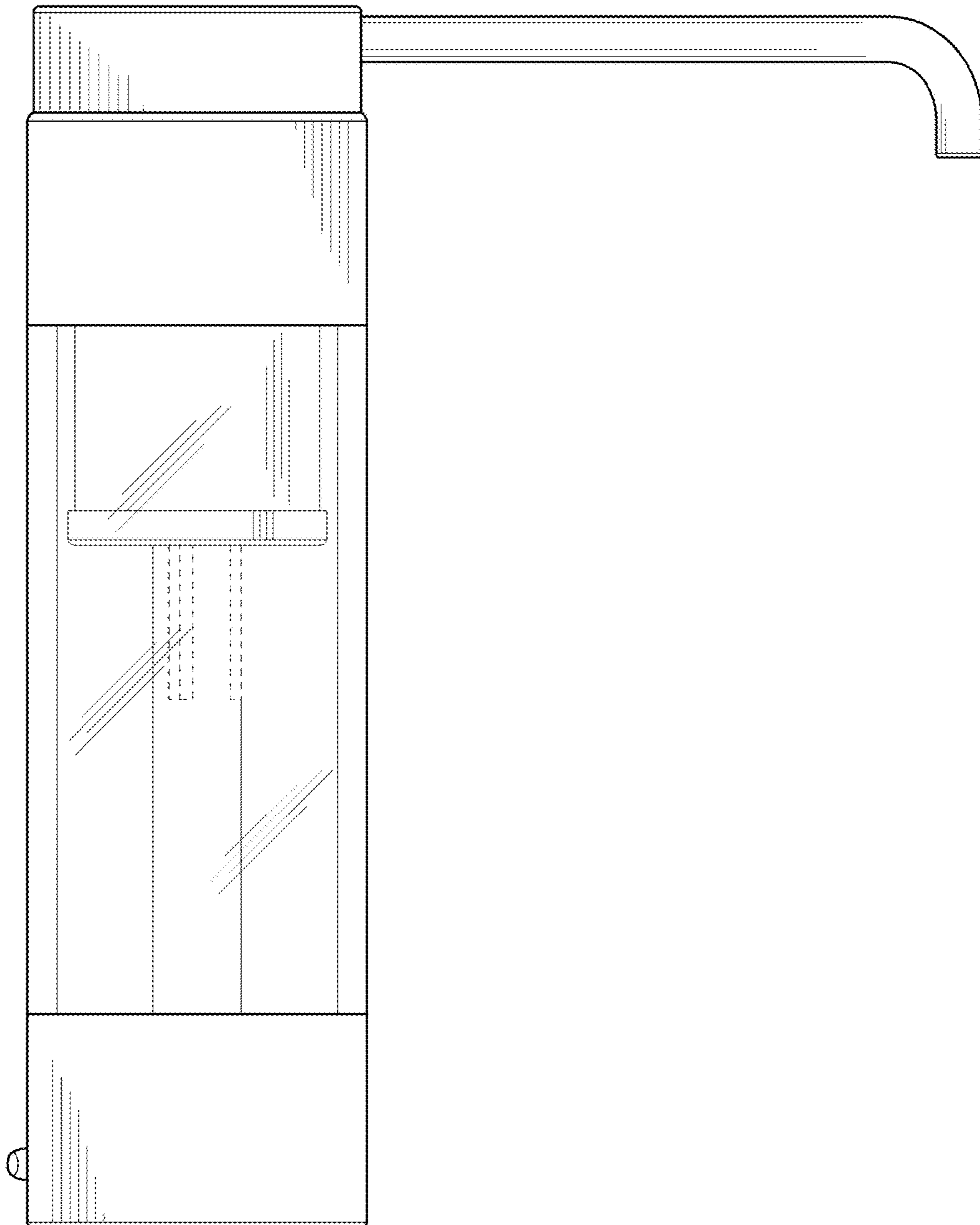


FIG. 1.1

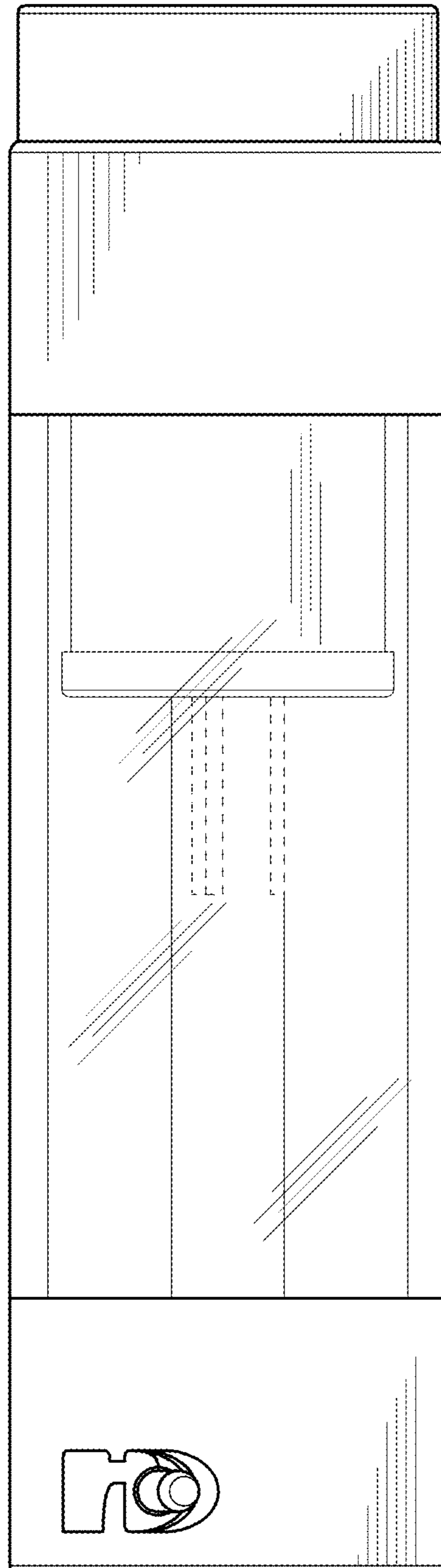


FIG. 1.2

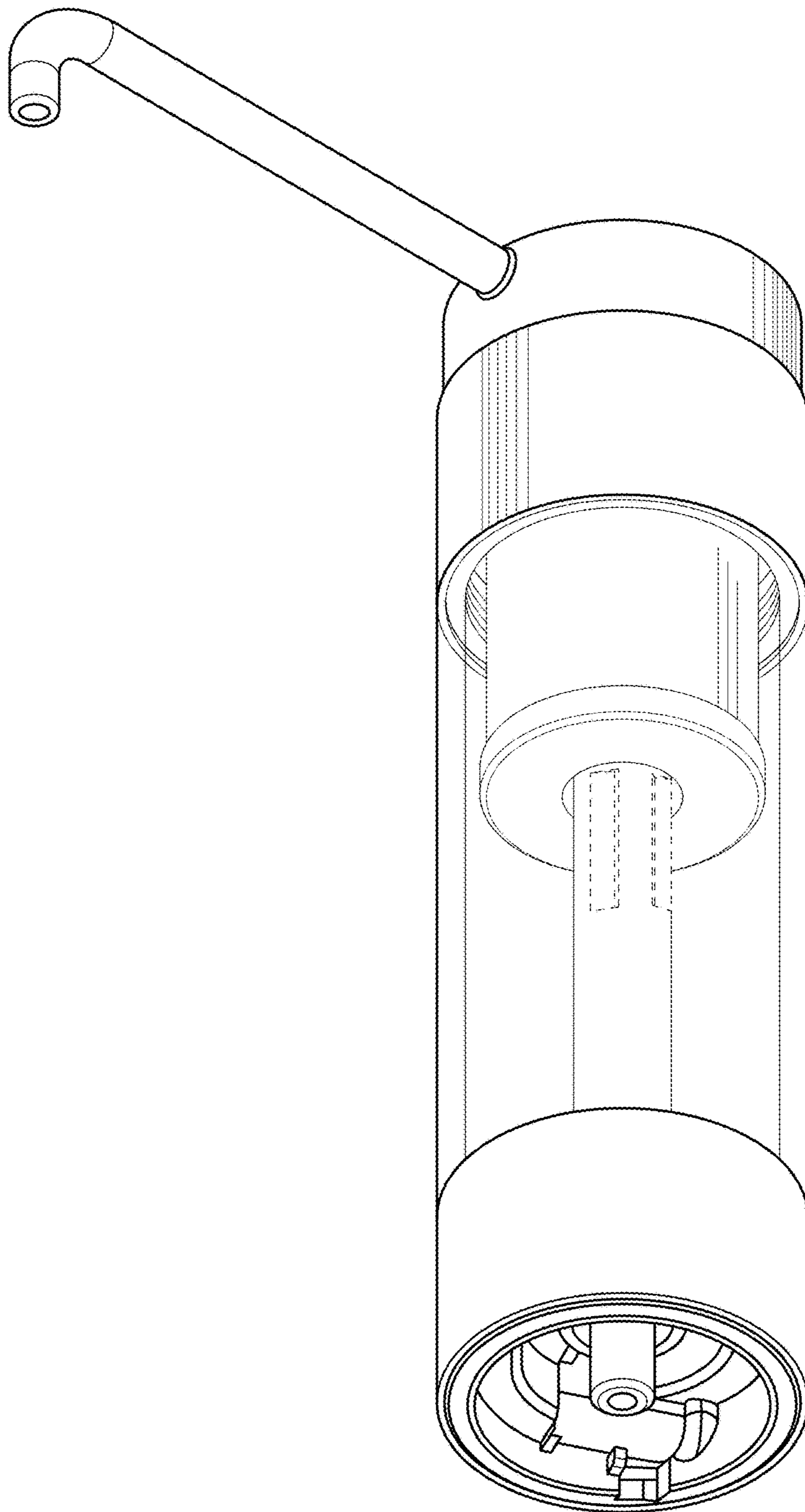


FIG. 1.3

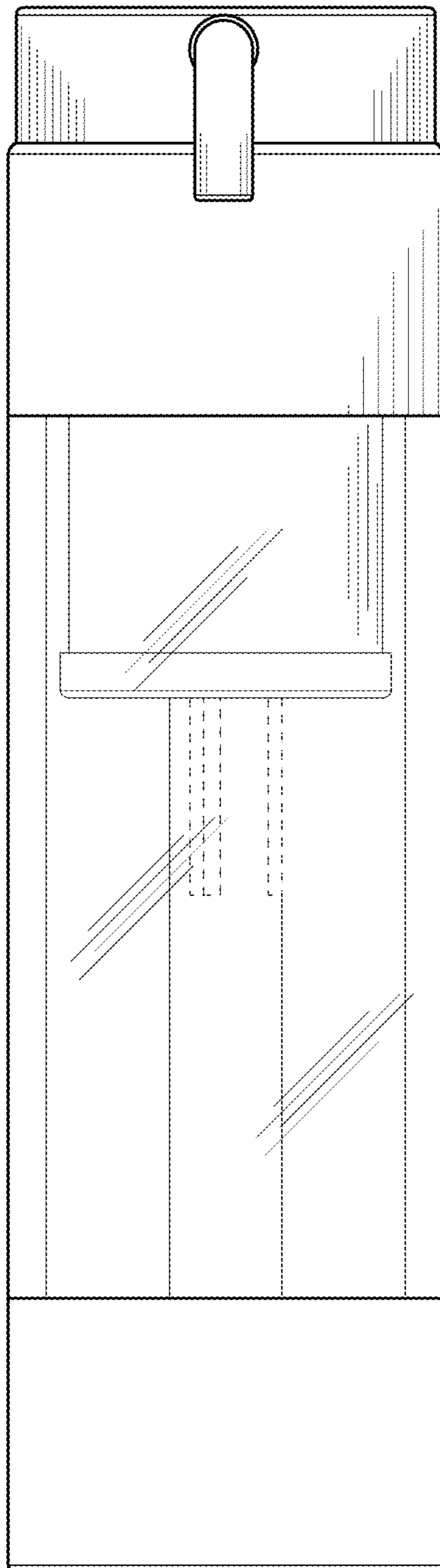


FIG. 1.4

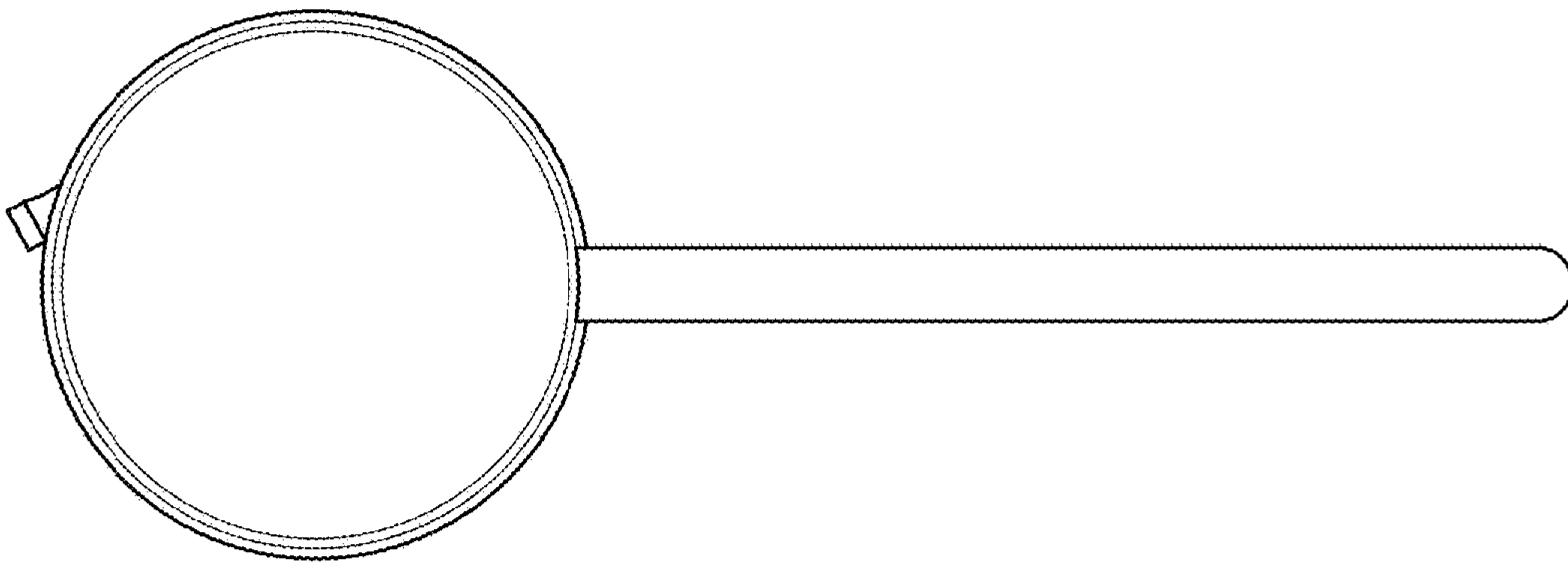


FIG. 1.5

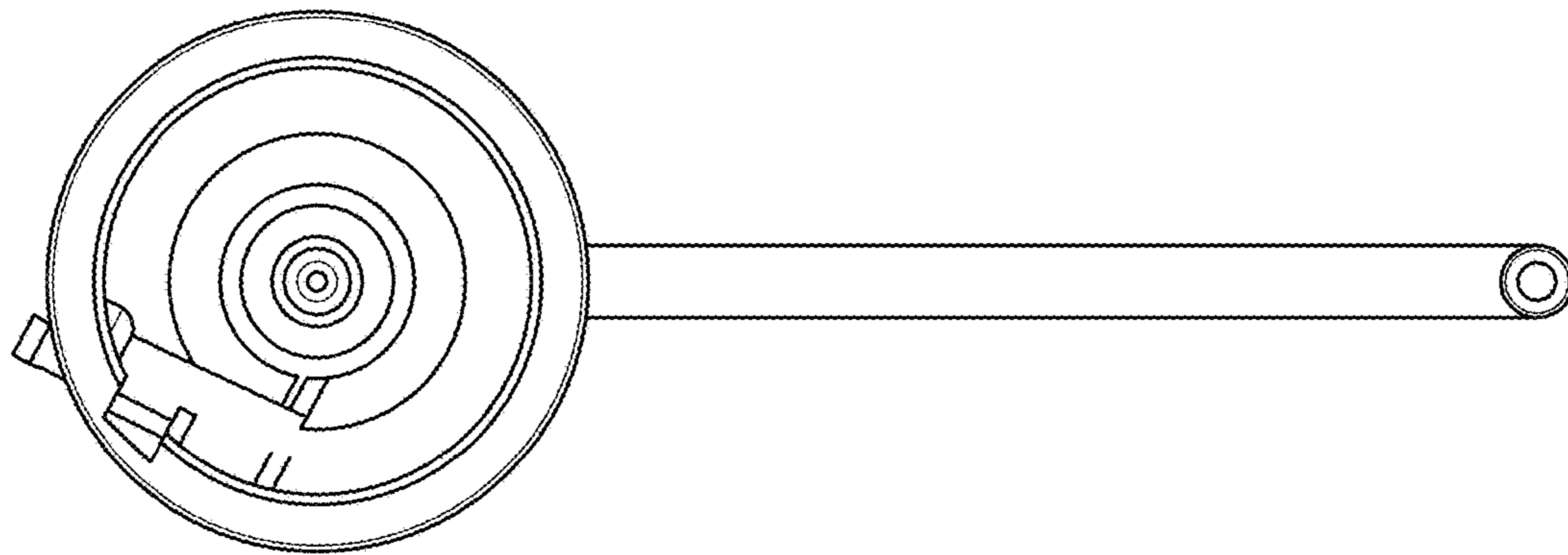


FIG. 1.6

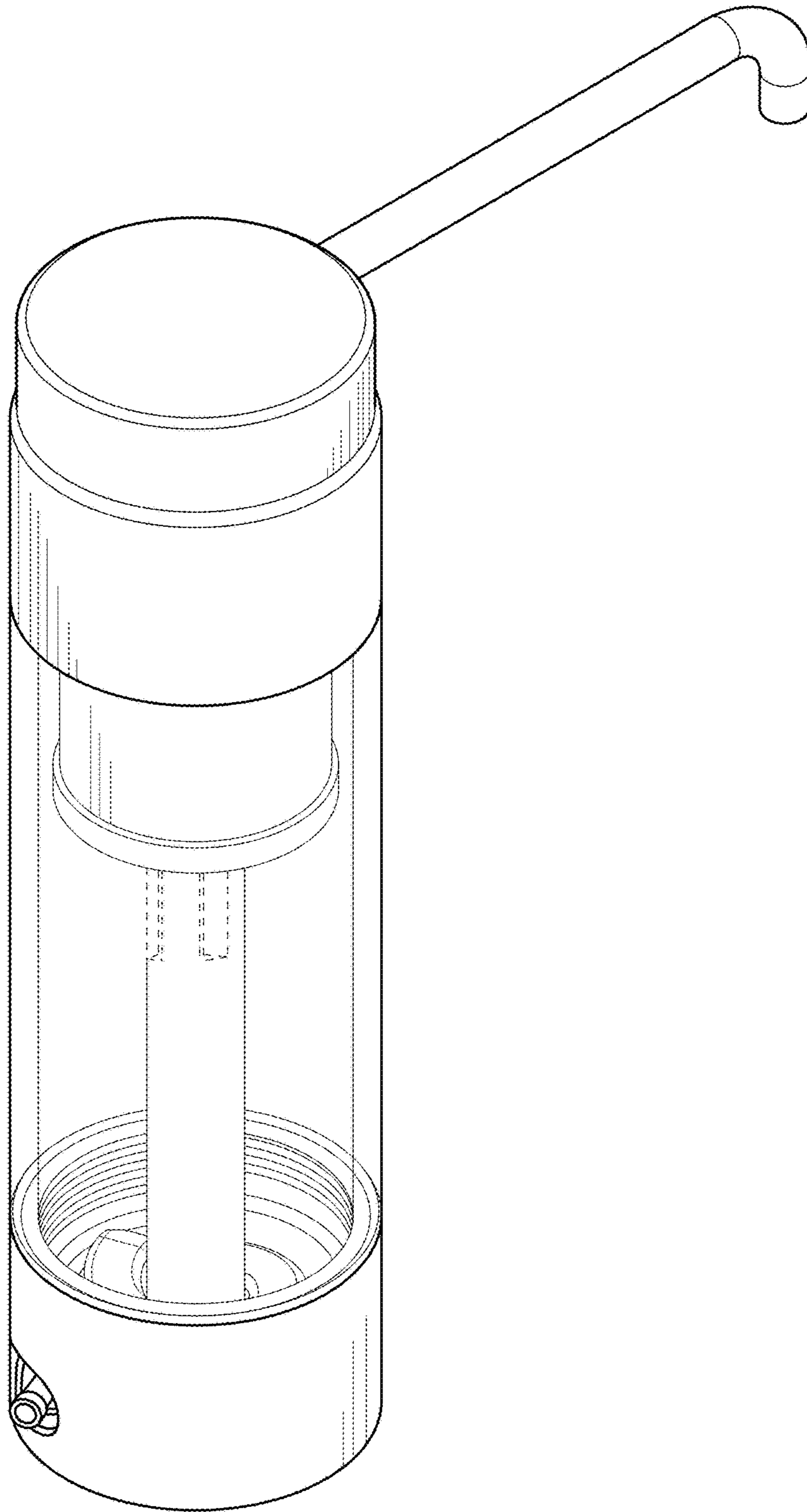


FIG. 1.7



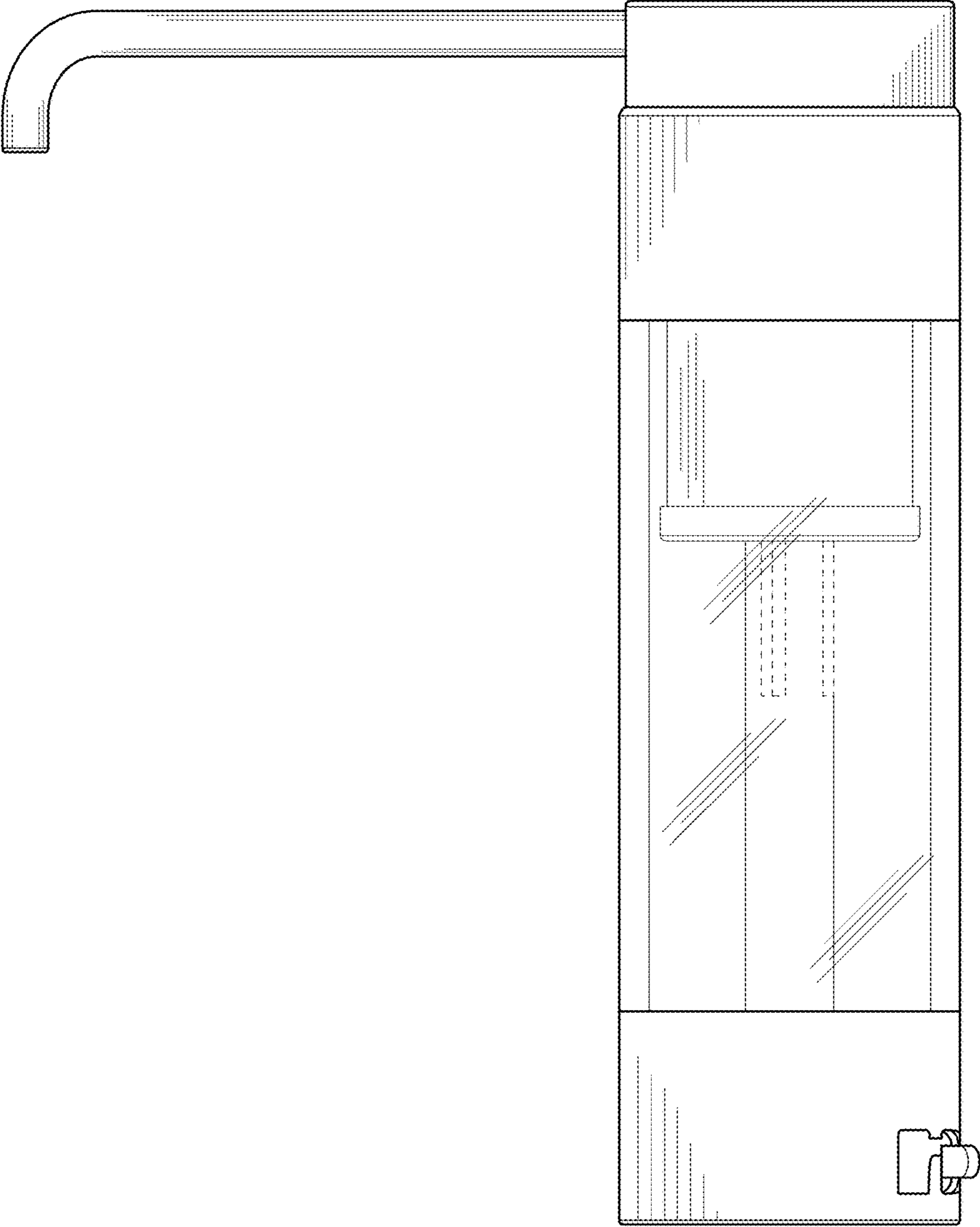


FIG. 1.8