



US00D837938S

(12) **United States Design Patent**
Clarke

(10) **Patent No.:** **US D837,938 S**
(45) **Date of Patent:** **** Jan. 8, 2019**

- (54) **FAUCET**
- (71) Applicant: **Kohler Co.**, Kohler, WI (US)
- (72) Inventor: **Gary N. Clarke**, Sheboygan, WI (US)
- (73) Assignee: **KOHLER CO.**, Kohler, WI (US)
- (**) Term: **15 Years**
- (21) Appl. No.: **29/661,919**
- (22) Filed: **Aug. 31, 2018**

- D585,110 S 1/2009 Painsi
- D587,343 S 2/2009 Nobili
- D607,544 S 1/2010 Roy
- D651,284 S 12/2011 Flowers
- D677,366 S 3/2013 Chen
- D683,825 S 6/2013 Sofield
- D691,708 S 10/2013 Georgeson et al.

(Continued)

Primary Examiner — Robert A Delehanty
(74) *Attorney, Agent, or Firm* — Foley & Lardner LLP

(57) **CLAIM**

I claim the ornamental design for a faucet, as shown and described.

Related U.S. Application Data

- (62) Division of application No. 29/637,792, filed on Feb. 22, 2018, now Pat. No. Des. 833,577, which is a division of application No. 29/610,592, filed on Jul. 13, 2017, now Pat. No. Des. 819,178, which is a division of application No. 29/594,722, filed on Feb. 22, 2017, now Pat. No. Des. 795,397, which is a division of application No. 29/566,968, filed on Jun. 3, 2016, now Pat. No. Des. 783,780.

(51) **LOC (11) Cl.** **23-01**

(52) **U.S. Cl.**
USPC **D23/238**

(58) **Field of Classification Search**
USPC D23/238, 249–250, 252, 254
CPC . E03C 1/00; E03C 1/0404; E03C 1/02; E03C 1/021; E03C 2001/0411; E03C 2001/0415; E03C 2001/0417; Y10T 137/9464; B05B 15/065; A47L 17/00
See application file for complete search history.

(56) **References Cited**

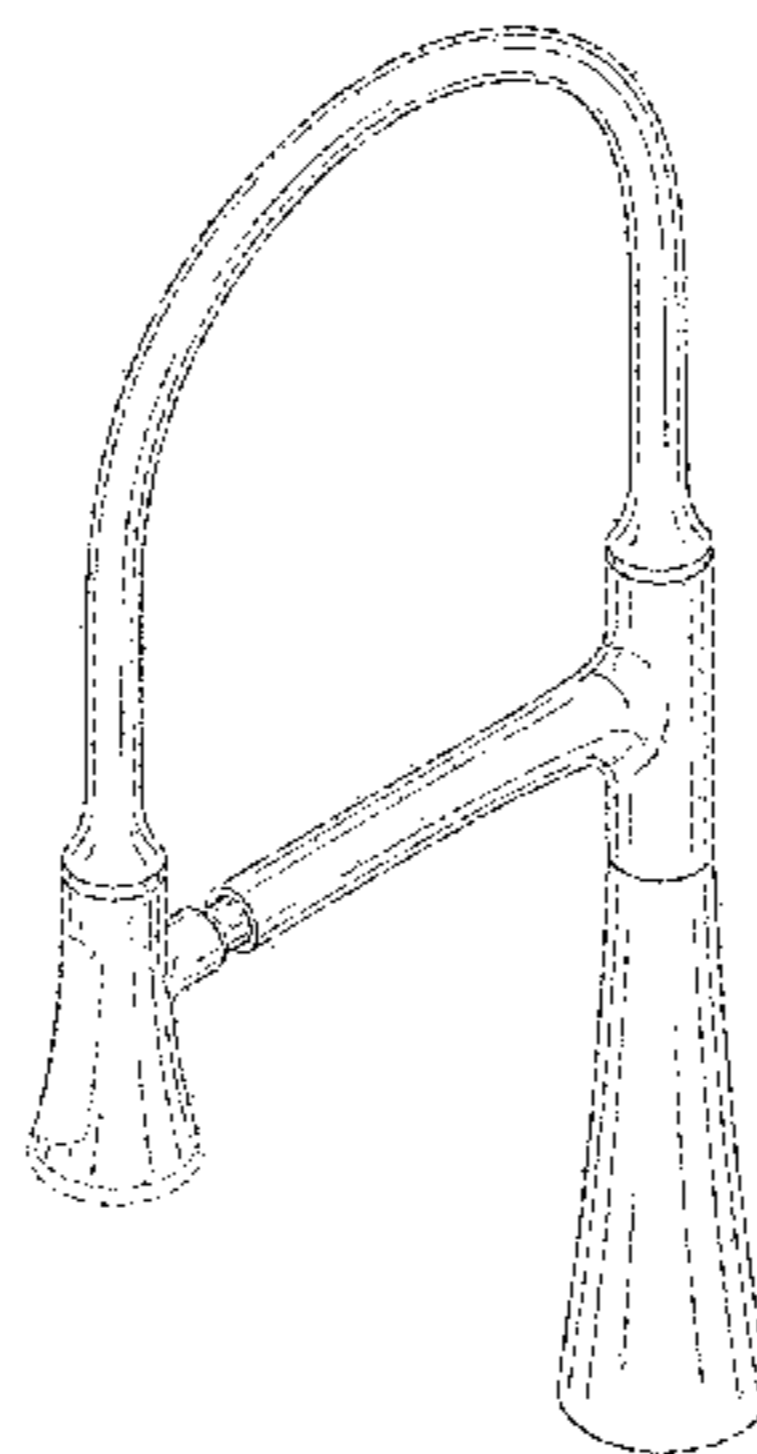
U.S. PATENT DOCUMENTS

- 4,709,715 A 12/1987 Knight
- D491,253 S 6/2004 Hansle
- D573,696 S 7/2008 Eilmus
- D576,705 S 9/2008 McKeone

DESCRIPTION

FIG. 1 is a perspective view of the claimed design in a use position;
 FIG. 2 is a side view of the claimed design shown in FIG. 1;
 FIG. 3 is a front side view of the claimed design shown in FIG. 1;
 FIG. 4 is a top view of the claimed design shown in FIG. 1;
 FIG. 5 is a perspective view of the claimed design shown in FIG. 1 in another use position;
 FIG. 6 is a side view of the claimed design shown in FIG. 5;
 FIG. 7 is a front side view of the claimed design shown in FIG. 5; and,
 FIG. 8 is a top view of the claimed design shown in FIG. 5.
 The ornamental design that is claimed is shown in the drawings as solid lines and surfaces having surface shading. The broken lines in the drawings are for illustrative purposes only and form no part of the claimed design. For example, broken lines formed by equal length dashes show unclaimed portions of the design. Broken lines formed of unequal length dashes (i.e., dash-dot) show boundaries between either claimed and unclaimed portions of the design or between unclaimed and unclaimed portions of the design.

1 Claim, 6 Drawing Sheets



(56)

References Cited

U.S. PATENT DOCUMENTS

D697,589 S	1/2014	Georgeson
D703,789 S	4/2014	Mazz et al.
D703,790 S	4/2014	Mazz et al.
D713,939 S	9/2014	Mazz et al.
8,869,821 B2	10/2014	Laera
D723,665 S	3/2015	Kulig
9,435,107 B2	9/2016	Rexach

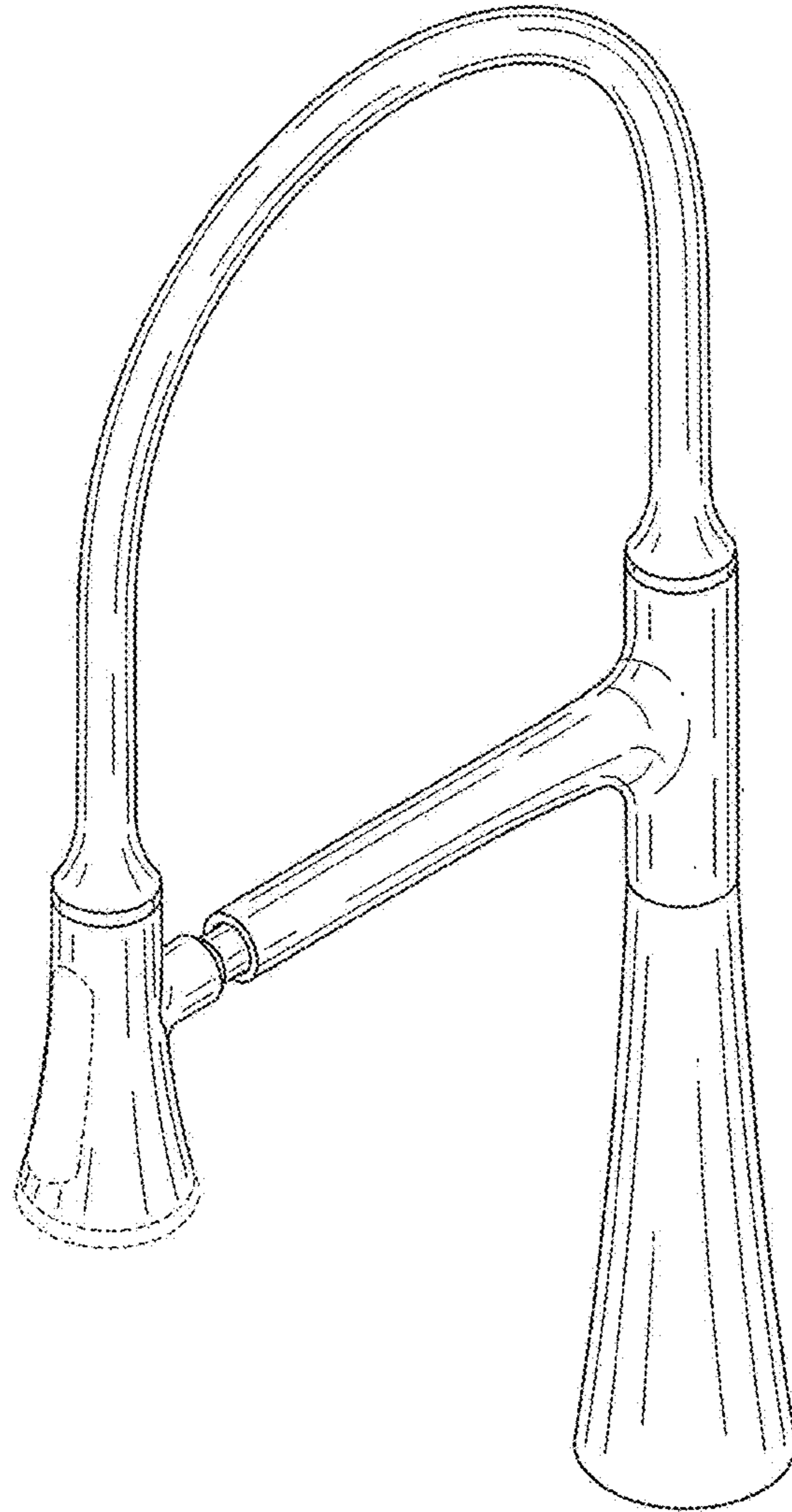


FIG. 1

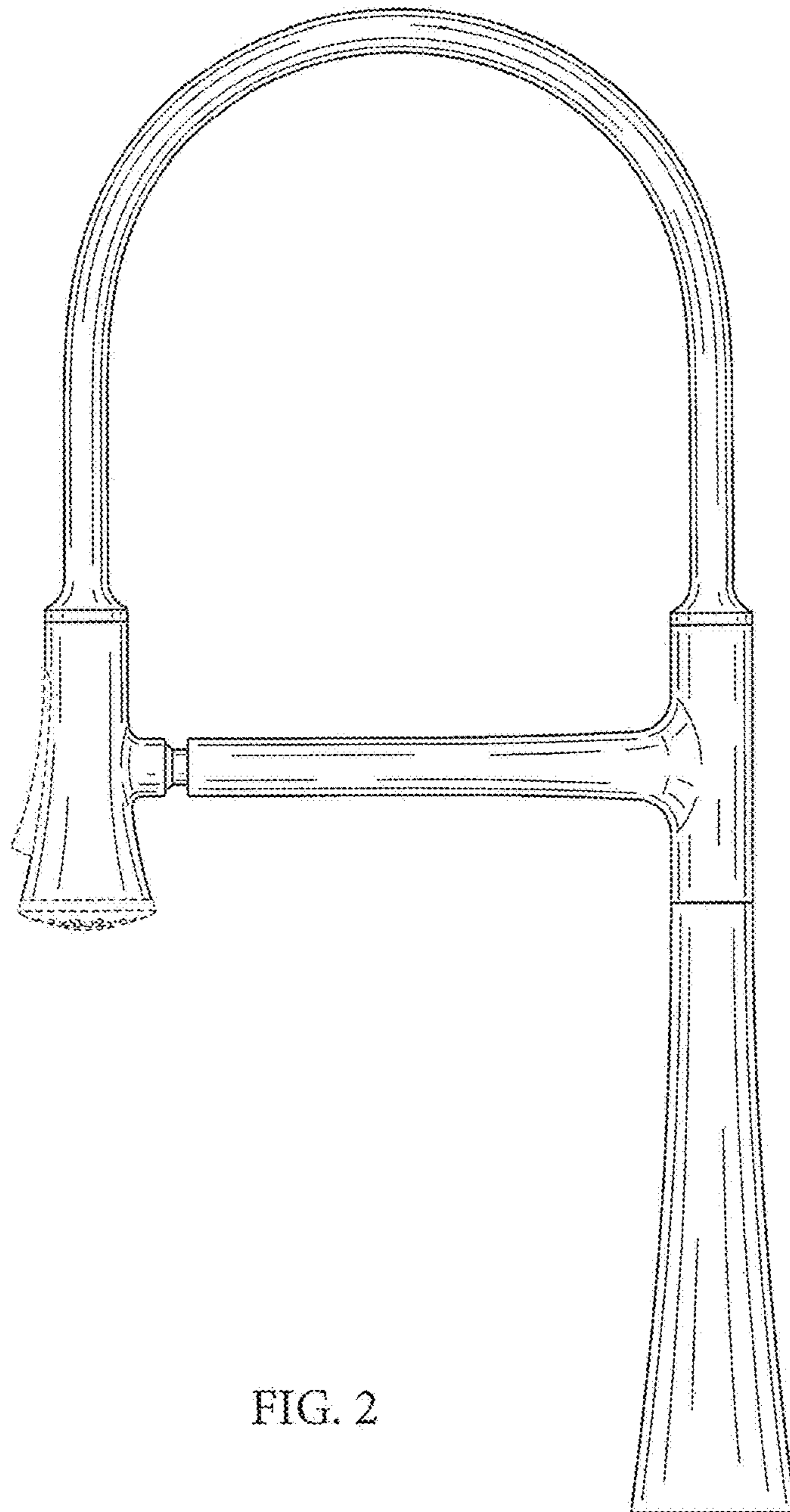


FIG. 2

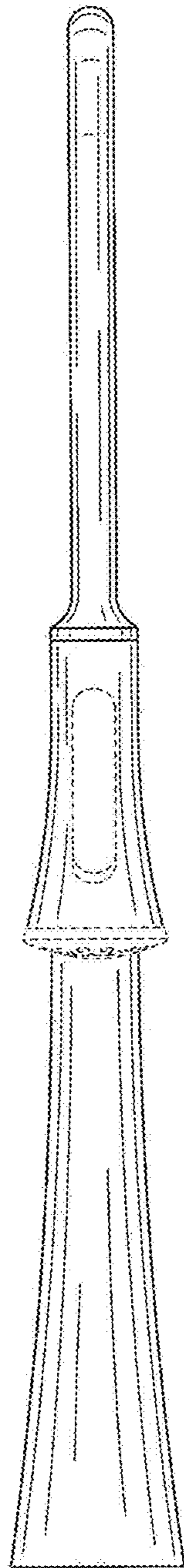


FIG. 3

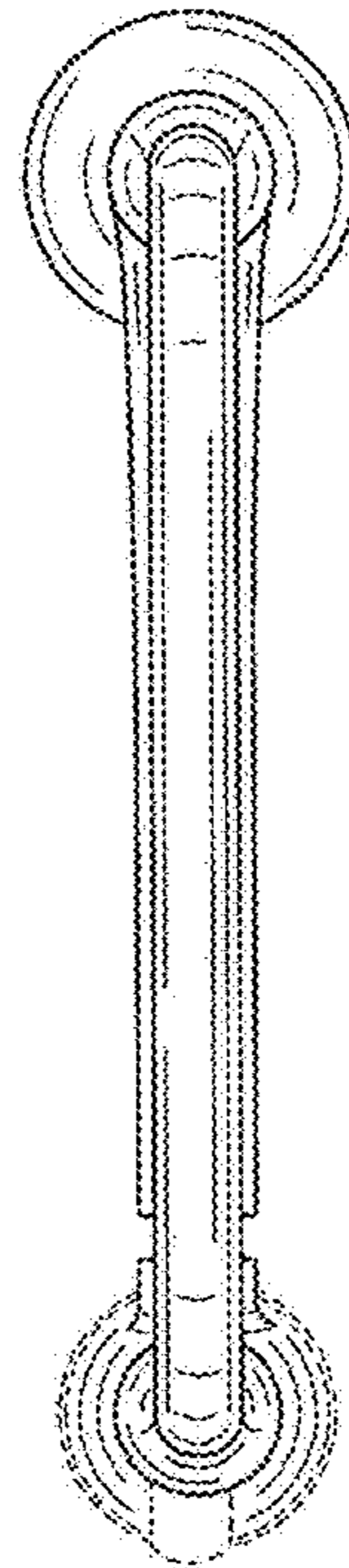


FIG. 4

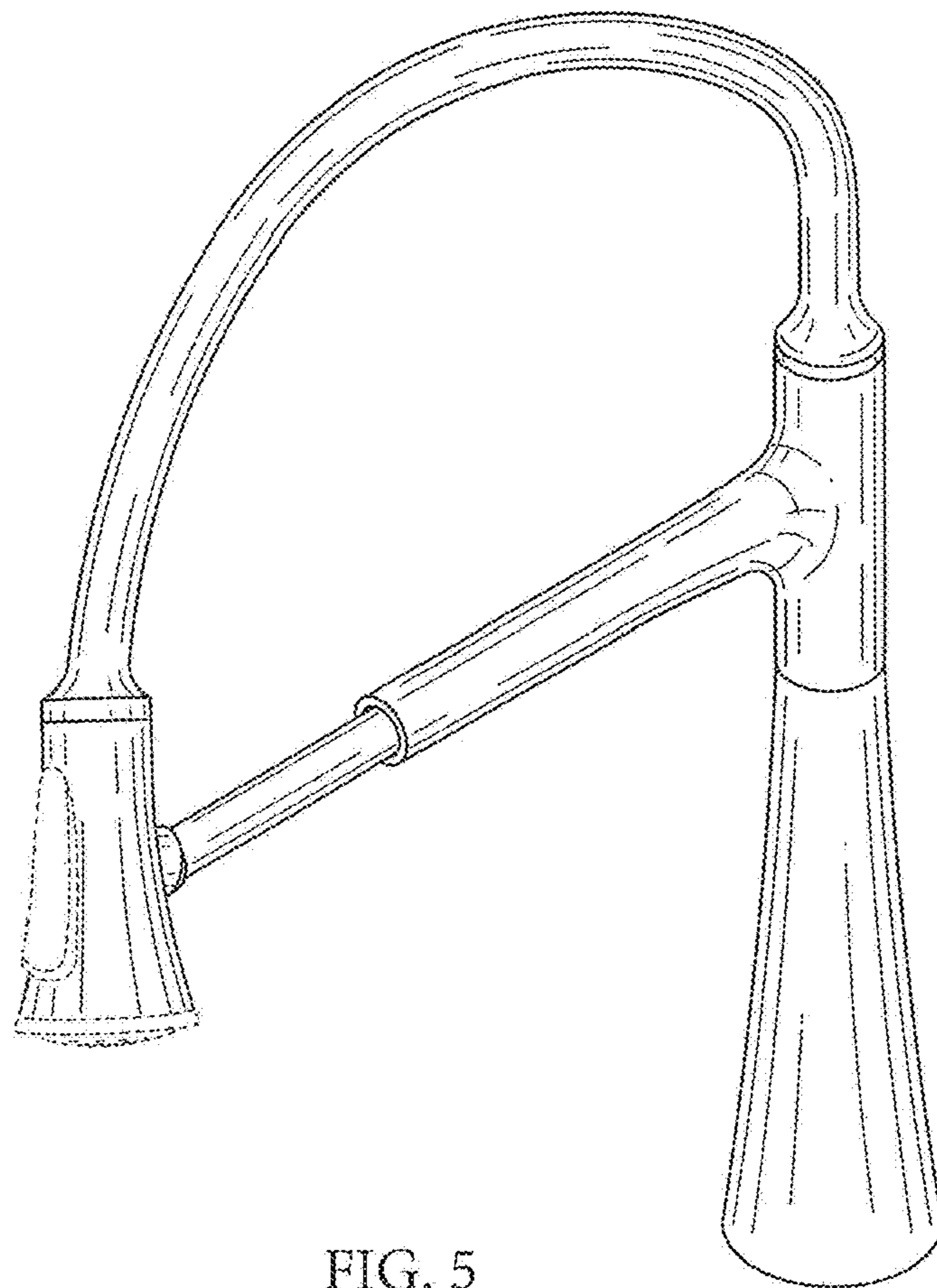


FIG. 5

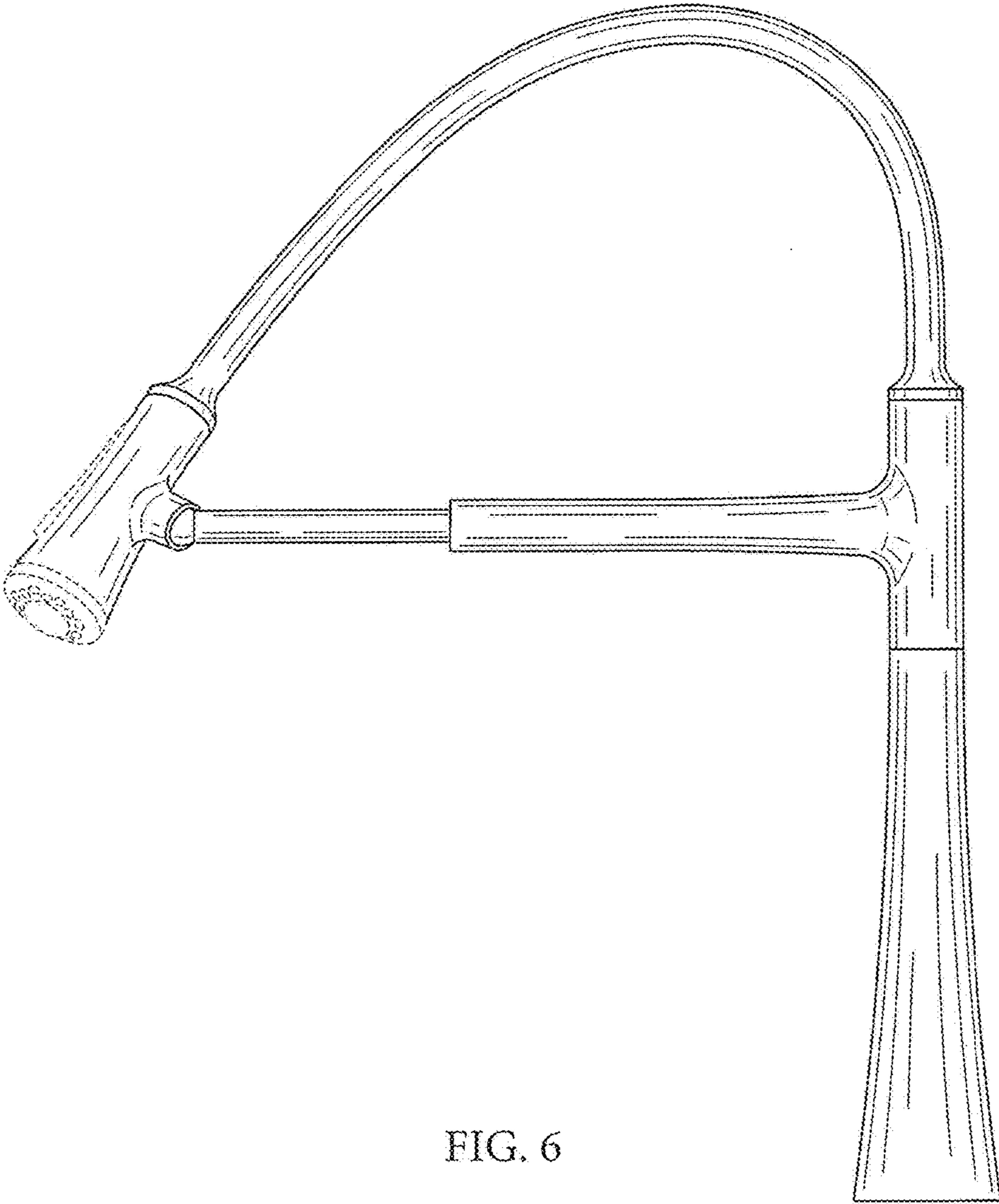


FIG. 6

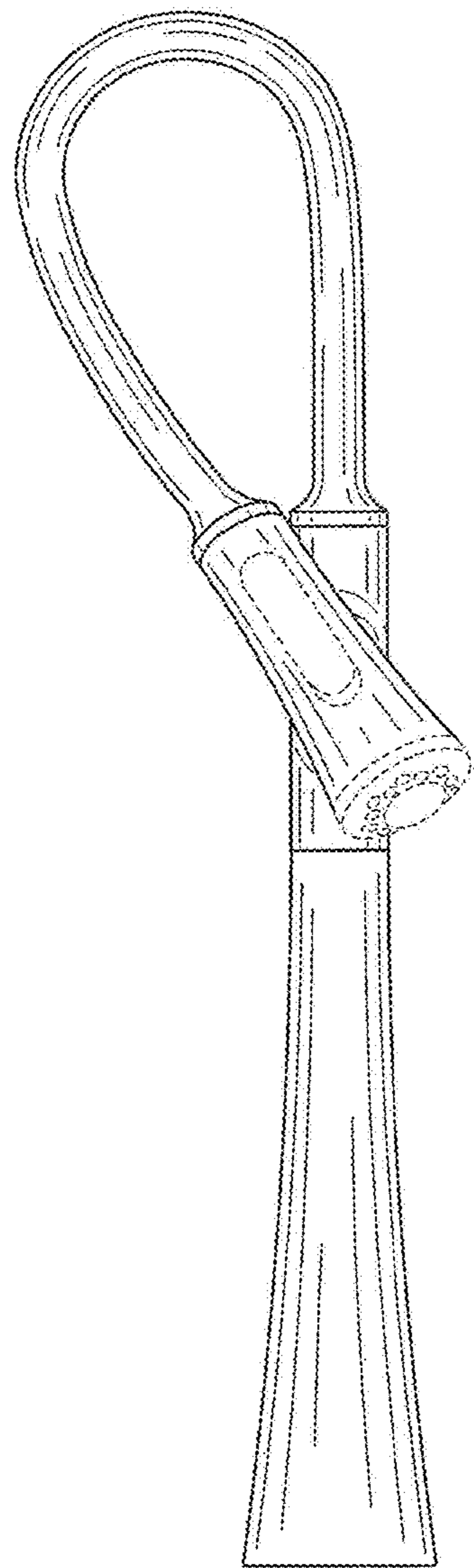


FIG. 7

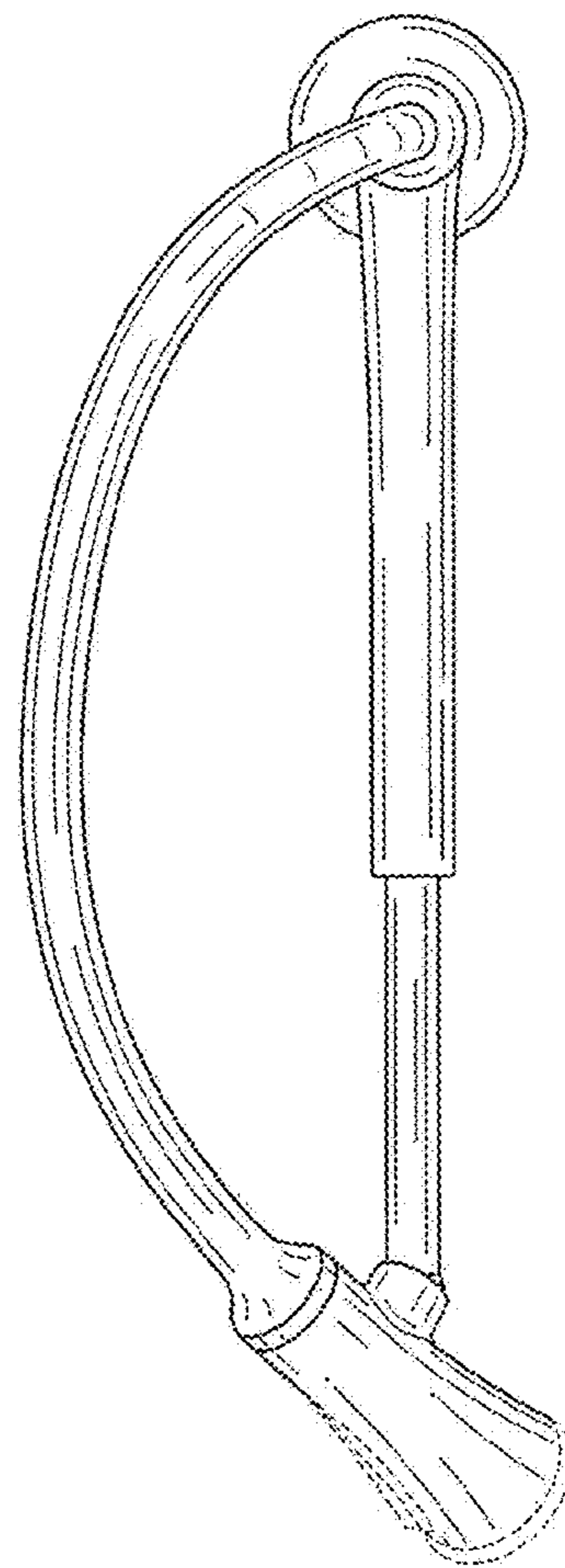


FIG. 8