



US00D837936S

(12) **United States Design Patent**
D'Ambrosia

(10) **Patent No.:** **US D837,936 S**
(45) **Date of Patent:** **** Jan. 8, 2019**

(54) **REFILLABLE HAND-HELD PAINT SPRAYER**

(71) Applicant: **Seth D'Ambrosia Design LLC**, Seattle, WA (US)

(72) Inventor: **Seth D'Ambrosia**, Seattle, WA (US)

(73) Assignee: **Seth D'Ambrosia Design LLC**, Seattle, WA (US)

(**) Term: **15 Years**

(21) Appl. No.: **29/611,384**

(22) Filed: **Jul. 20, 2017**

(51) **LOC (11) Cl.** **23-01**

(52) **U.S. Cl.**
USPC **D23/225**

(58) **Field of Classification Search**
USPC D23/213, 225, 202; 239/152-154, 337, 239/373, 302, 308, 312, 317
CPC B05B 9/08; B05B 9/0816; B05B 7/2443; B05B 7/2408; B05B 7/2421
See application file for complete search history.

(56) **References Cited**

U.S. PATENT DOCUMENTS

- 2,951,644 A * 9/1960 Mahon A61M 11/06 222/162
- D643,092 S * 8/2011 Bandawat F24F 6/14 D23/202
- D814,609 S * 4/2018 Walton D23/225

* cited by examiner

Primary Examiner — Robin V Webster

(74) *Attorney, Agent, or Firm* — Chernoff, Vilhauer, McClung & Stenzel, LLP

(57) **CLAIM**

The ornamental design for a refillable hand-held paint sprayer, as shown and described.

DESCRIPTION

FIG. 1 is a perspective view from the upper left front refillable hand-held paint sprayer including a first embodiment of my new design;

FIG. 2 is a front elevational view thereof;

FIG. 3 is a left side elevational view thereof;

FIG. 4 is a right side elevational view thereof;

FIG. 5 is a rear elevational view thereof;

FIG. 6 is a top plan view thereof; and

FIG. 7 is a bottom plan view thereof; and in which

FIG. 8 is a perspective view from the upper left front of a refillable hand-held paint sprayer including a second embodiment of my new design;

FIG. 9 is a front elevational view thereof;

FIG. 10 is a left side elevational view thereof;

FIG. 11 is a right side elevational view thereof;

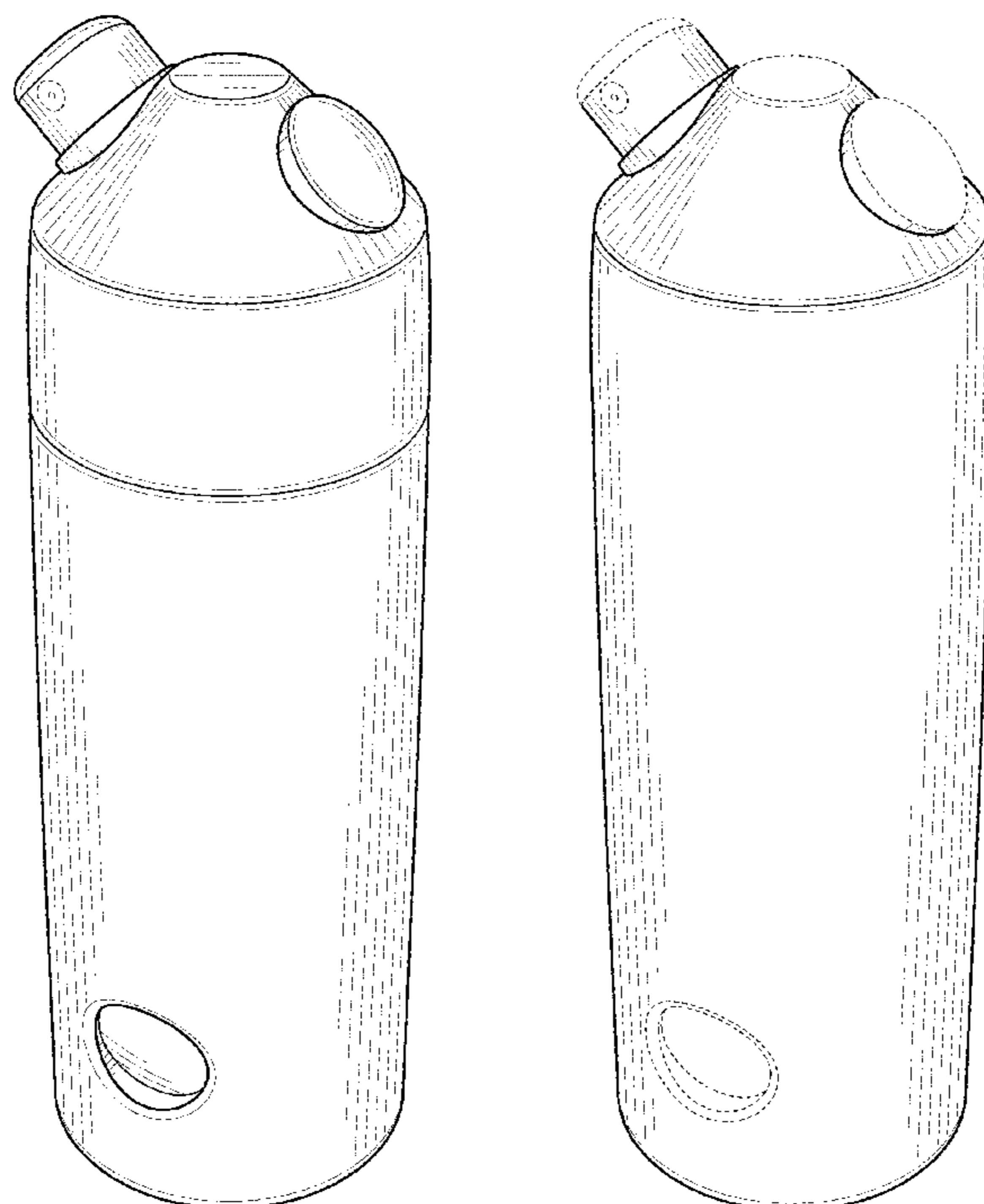
FIG. 12 is a rear elevational view thereof;

FIG. 13 is a top plan view thereof; and,

FIG. 14 is a bottom plan view thereof.

Portions of the refillable hand-held paint sprayer are shown in broken line in FIGS. 8-14 and are included merely for illustrative purposes and form no part of the claimed design. The broken lines represent unclaimed boundaries of the design.

1 Claim, 12 Drawing Sheets



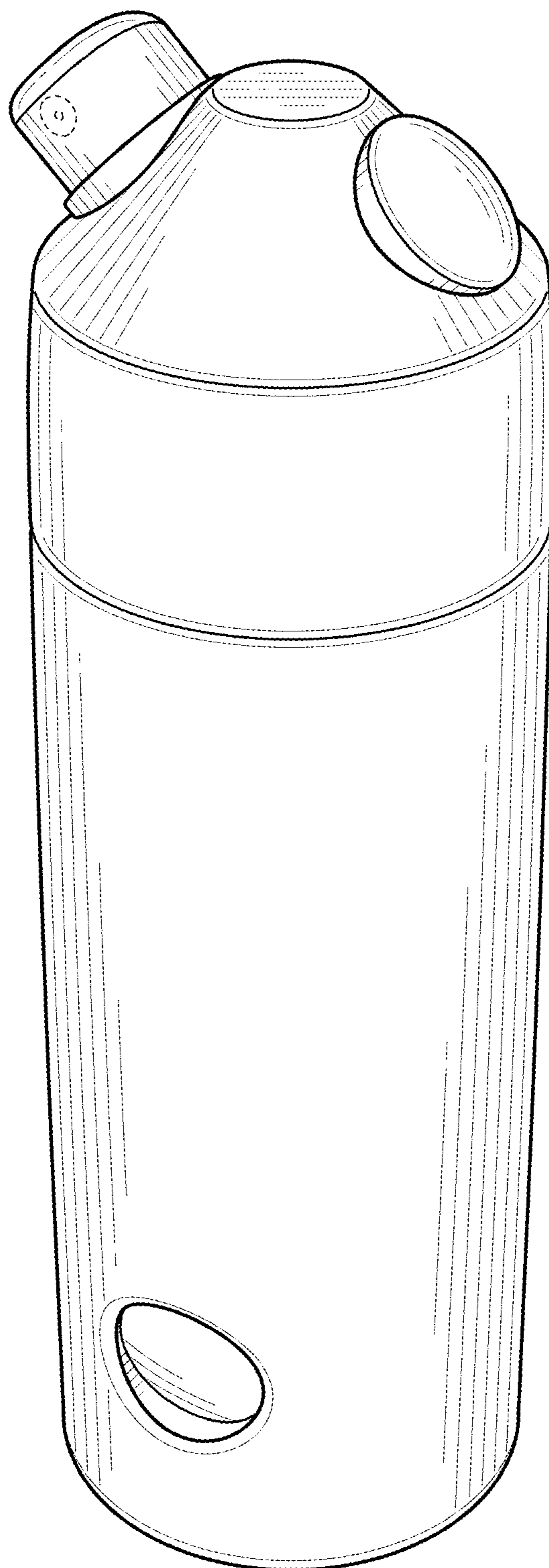


FIG. 1

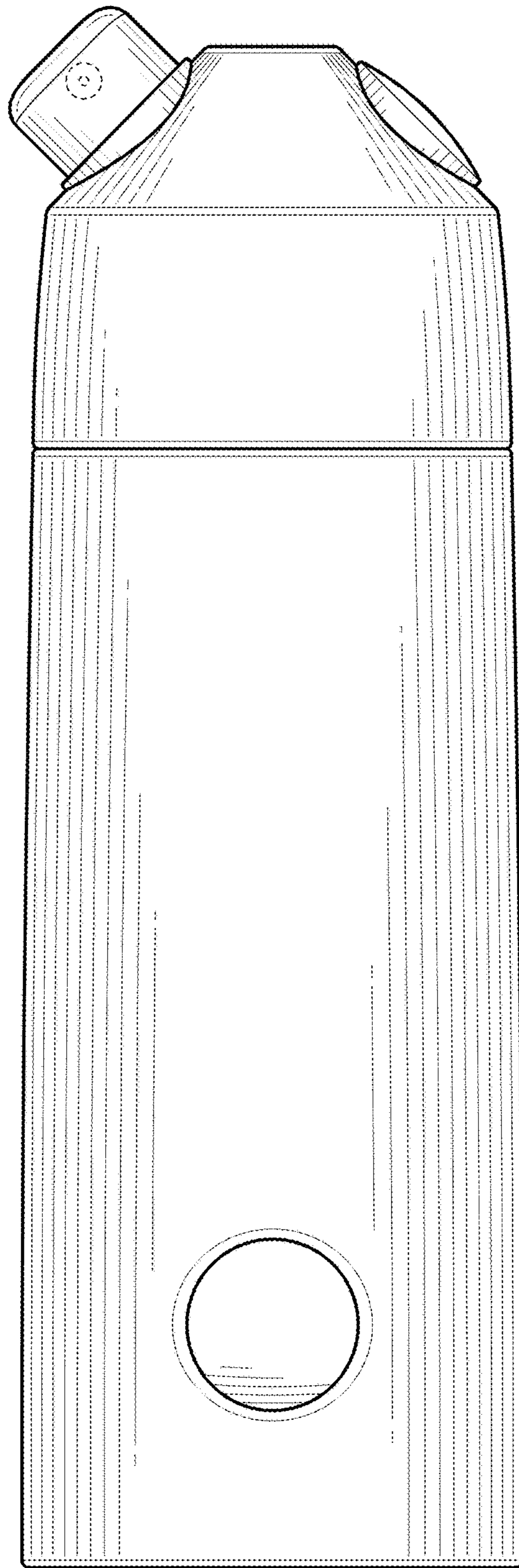


FIG. 2

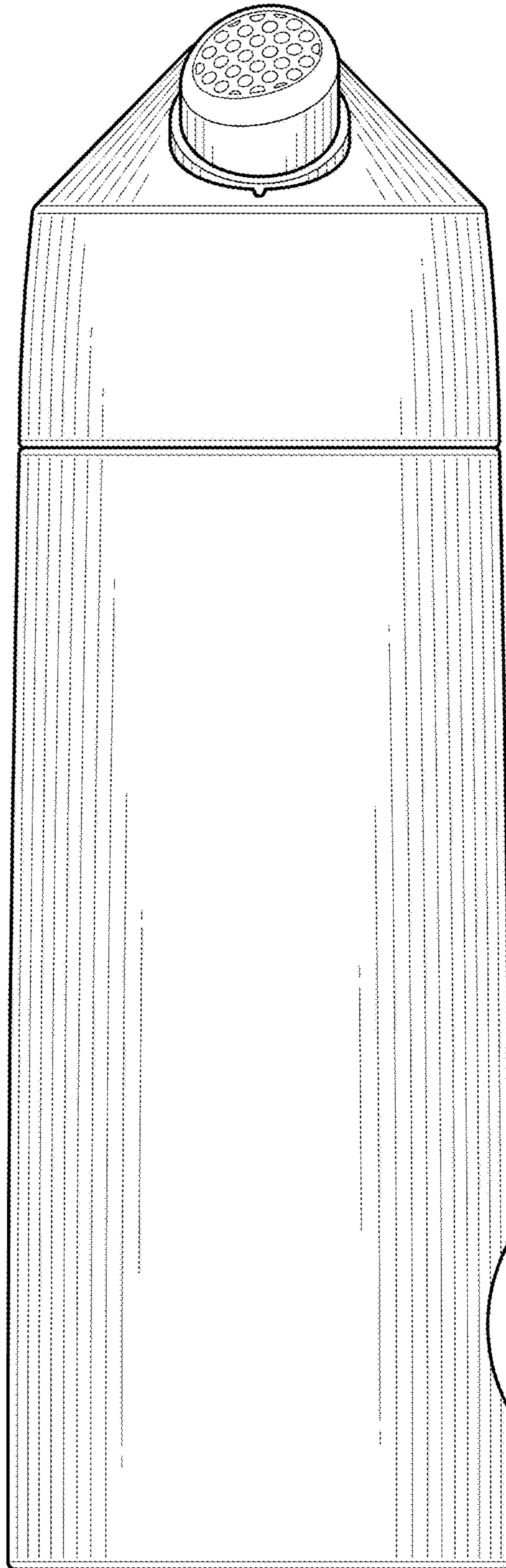


FIG. 3

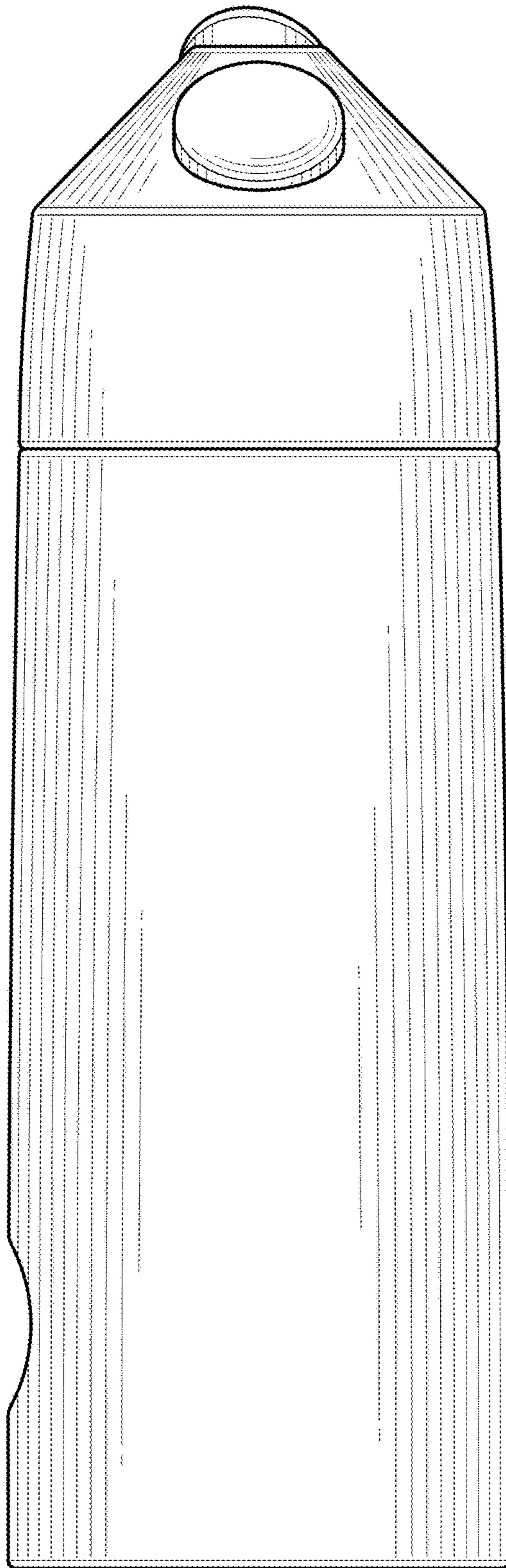


FIG. 4

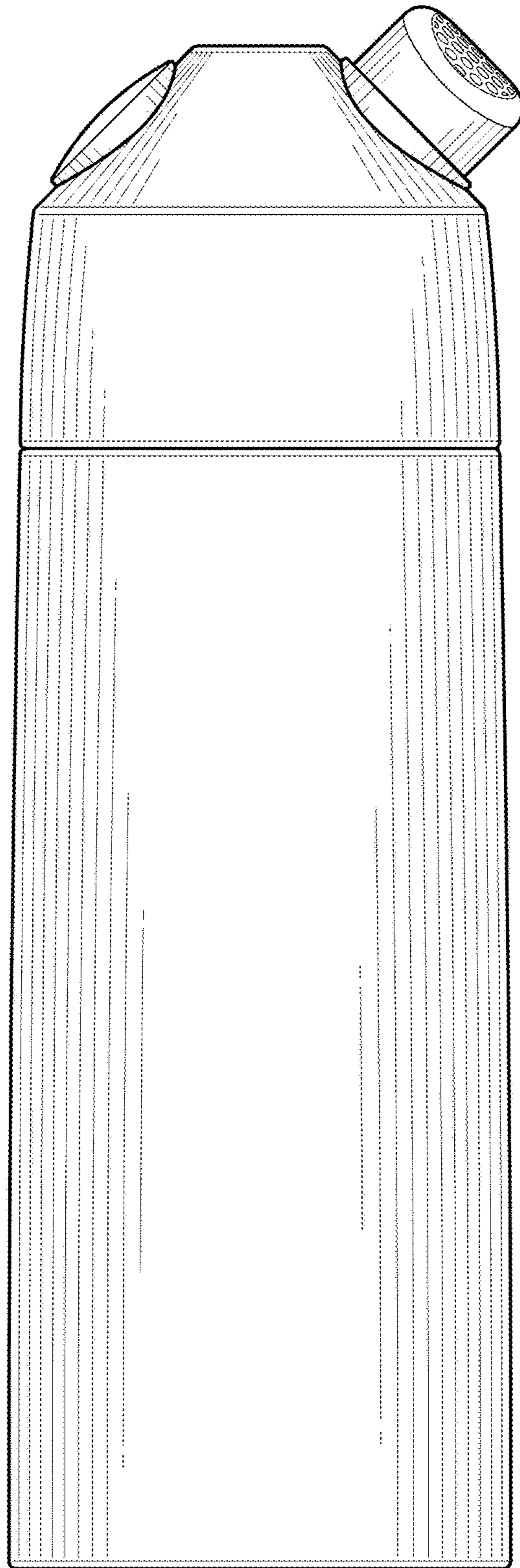


FIG. 5

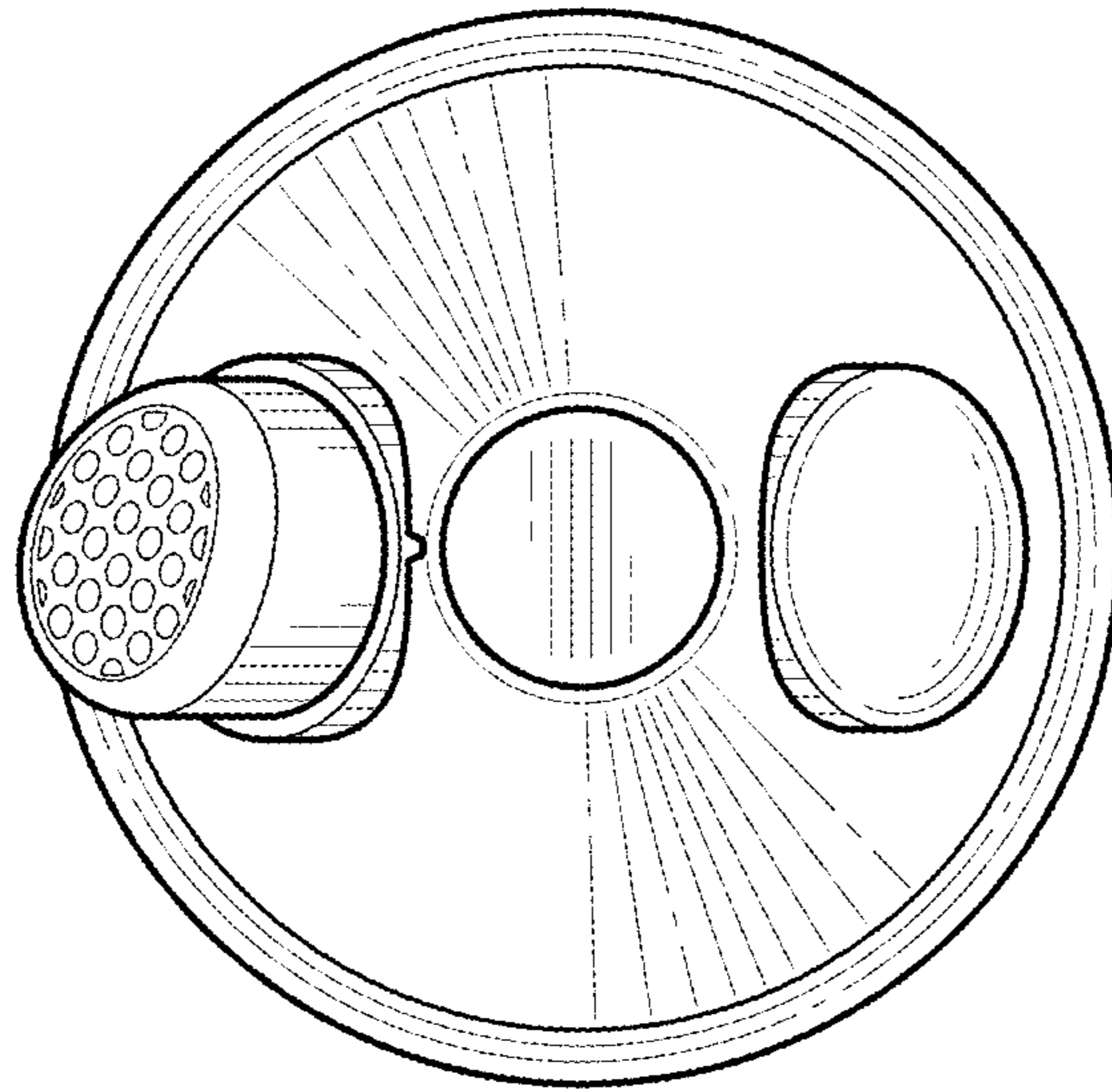


FIG. 6

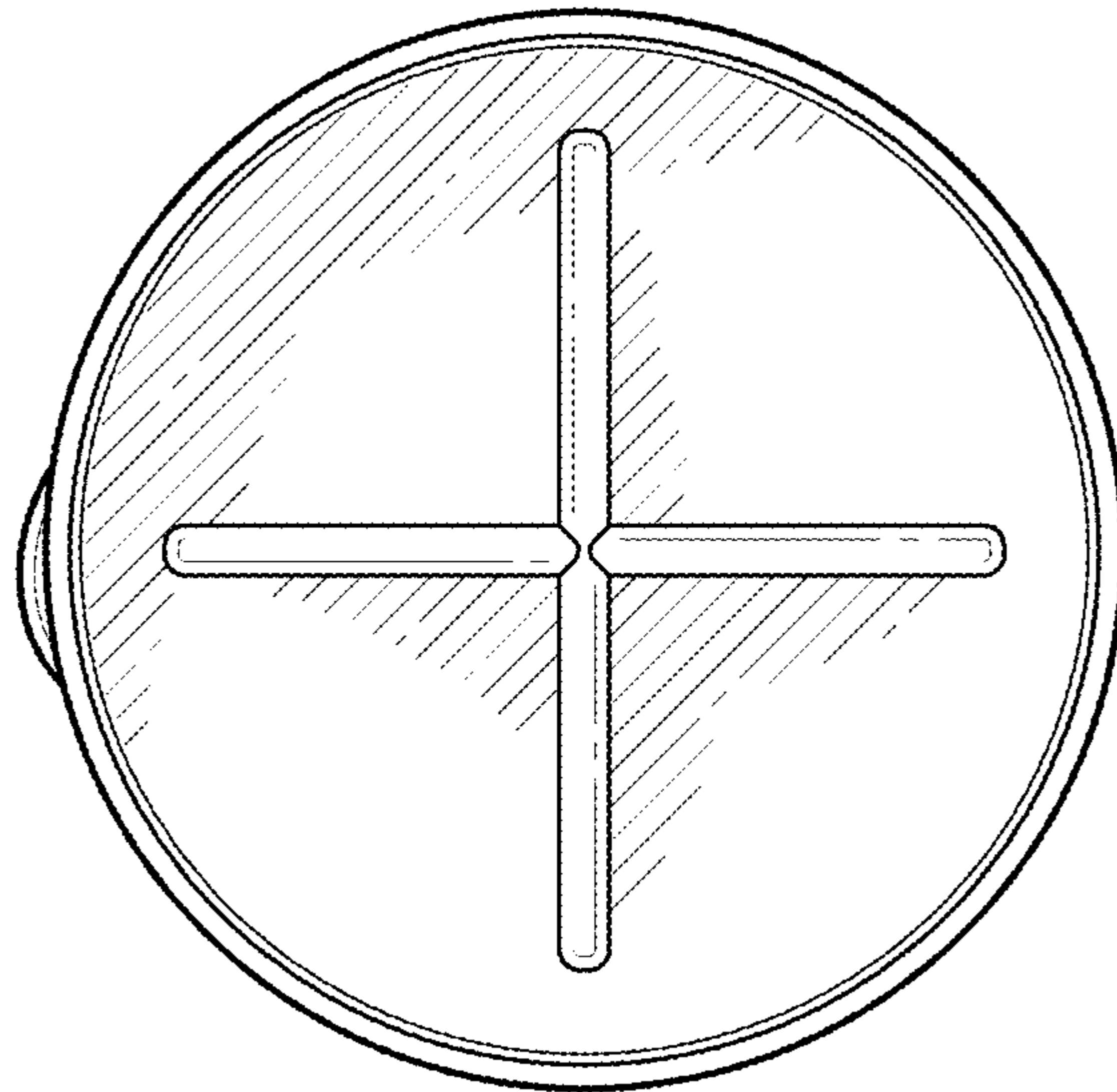


FIG. 7

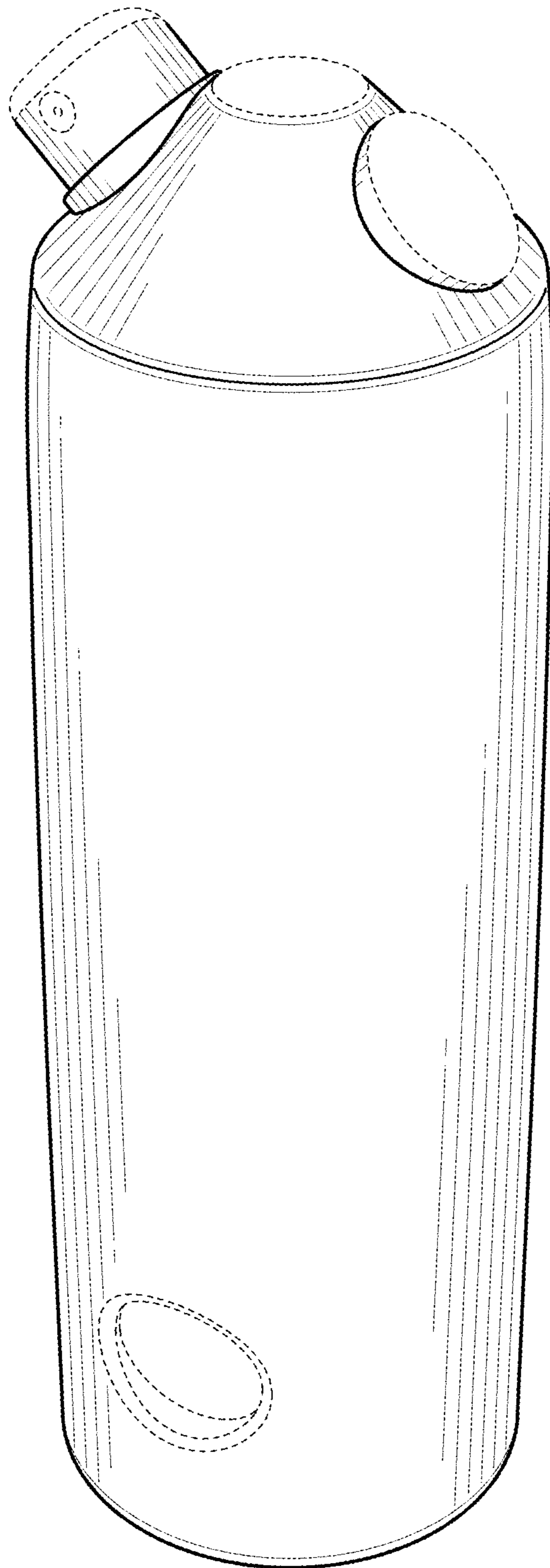


FIG. 8

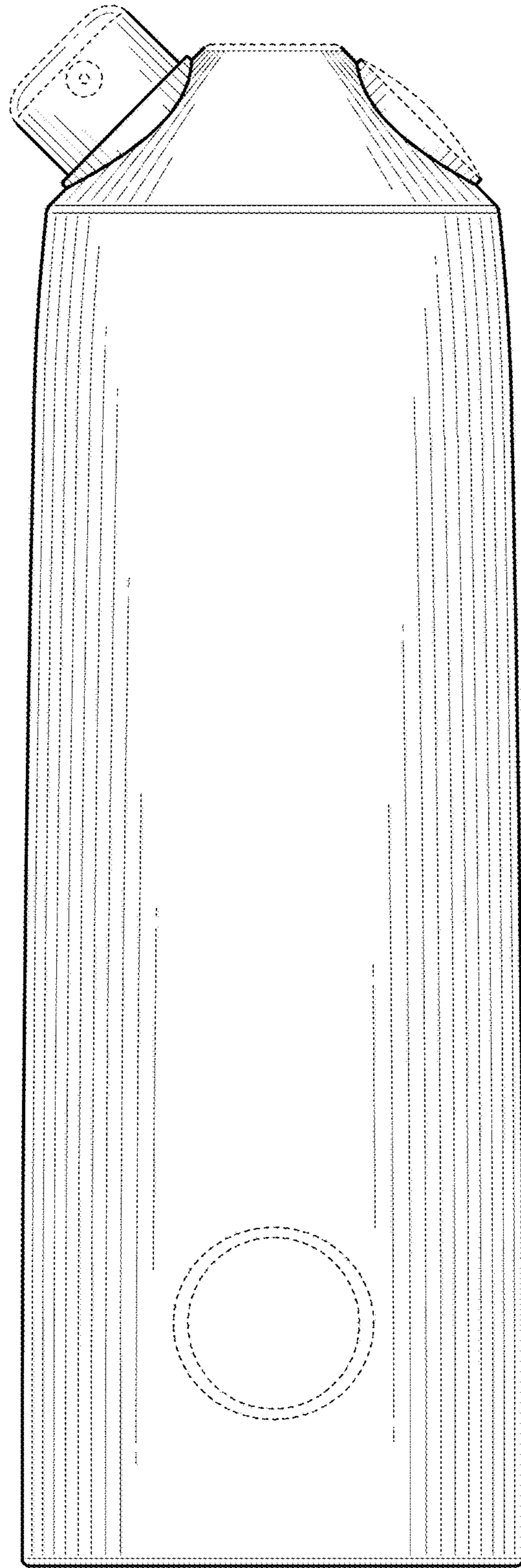


FIG. 9

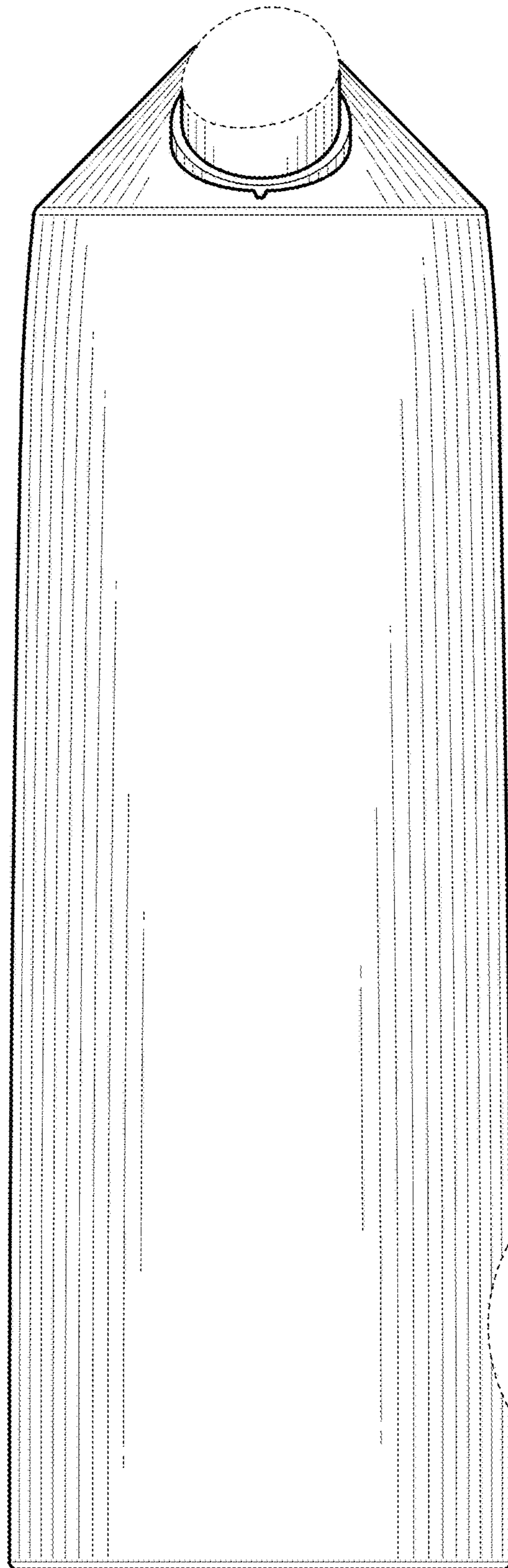


FIG. 10

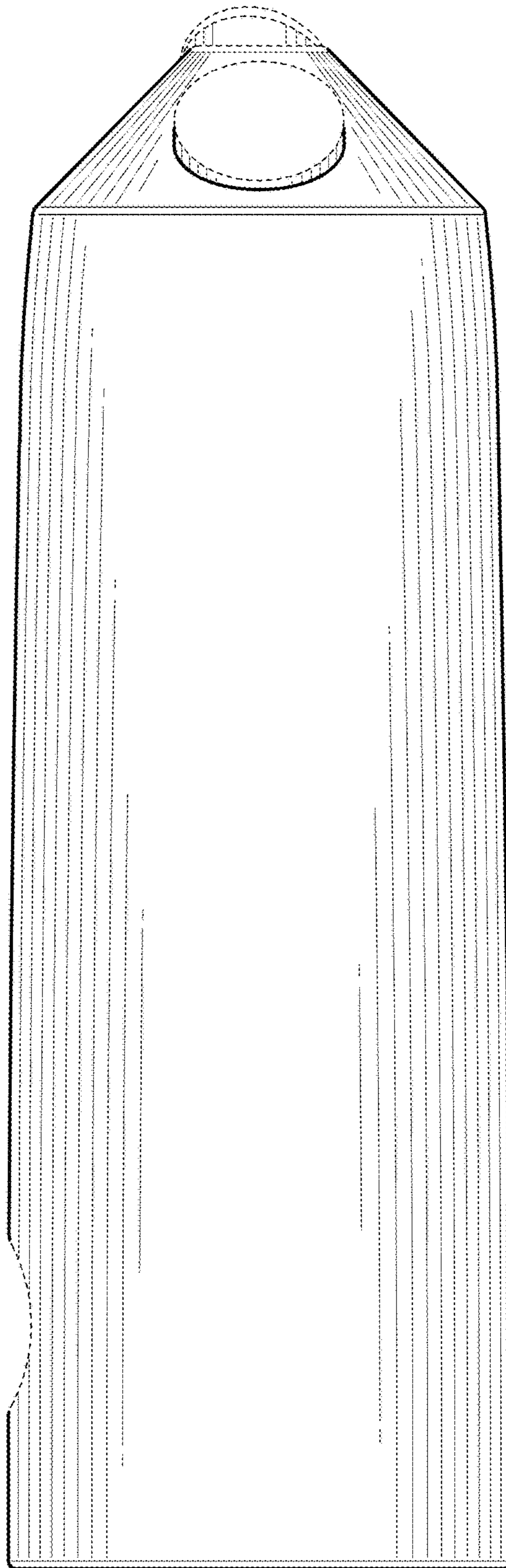


FIG. 11

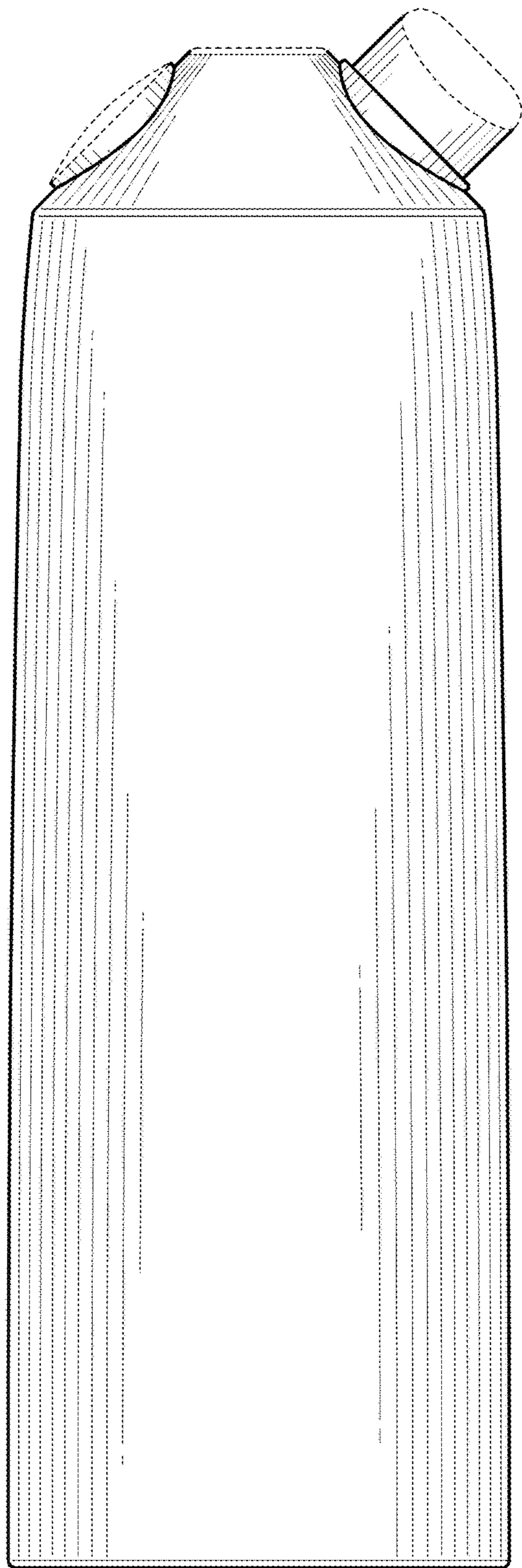


FIG. 12

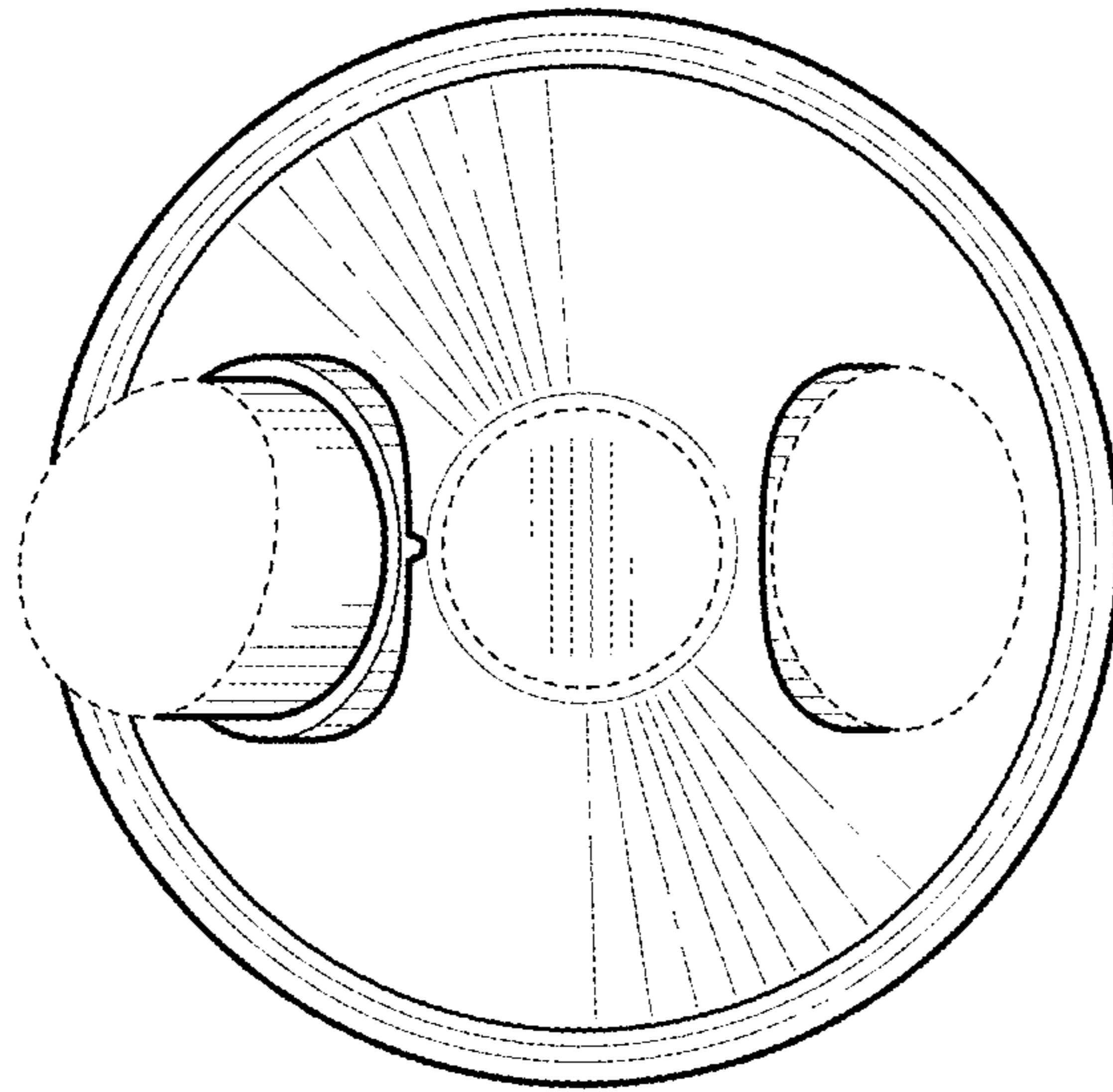


FIG. 13

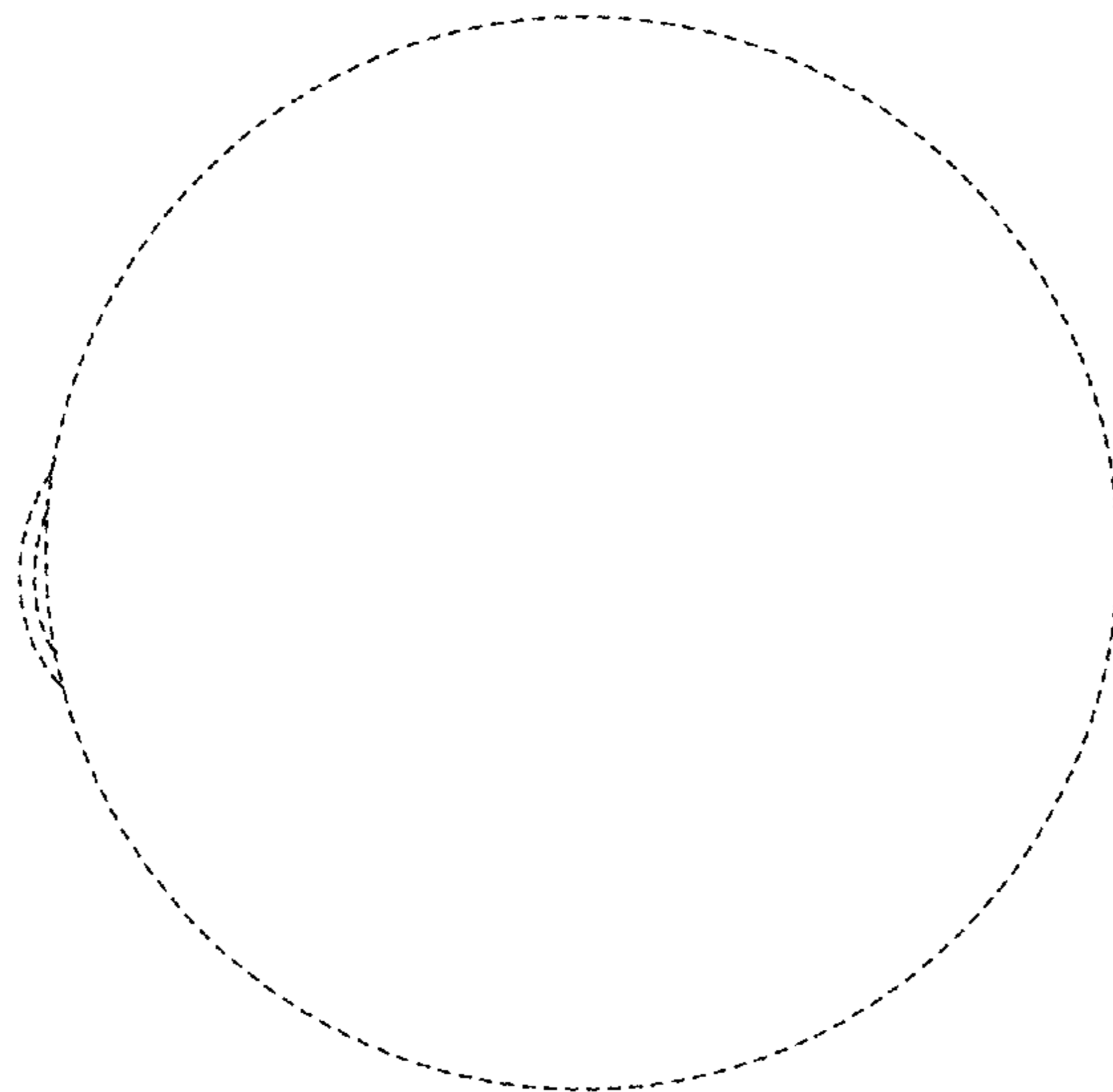


FIG. 14