



US00D837931S

(12) **United States Design Patent** (10) **Patent No.:** **US D837,931 S**  
**Timper** (45) **Date of Patent:** **\*\* Jan. 8, 2019**

(54) **INSECT REPELLENT CONTAINER**

(71) Applicant: **Jeffrey Timper**, San Clemente, CA (US)

(72) Inventor: **Jeffrey Timper**, San Clemente, CA (US)

(\*\*) Term: **15 Years**

(21) Appl. No.: **29/625,234**

(22) Filed: **Nov. 8, 2017**

(51) **LOC (11) Cl.** ..... **22-06**

(52) **U.S. Cl.**  
USPC ..... **D22/122**

(58) **Field of Classification Search**  
USPC ..... D22/119-124; D23/366-367, 369;  
D28/76, 82, 91; 43/58, 60-61, 107,  
43/112-113, 121, 124, 131, 132.1  
CPC ..... A01M 1/14; A01M 1/103; A01M 1/2005  
See application file for complete search history.

D510,762 S \* 10/2005 Ashford ..... D23/366  
D585,129 S \* 1/2009 Huang ..... D23/366  
D698,910 S \* 2/2014 Lin ..... D23/366  
D712,503 S \* 9/2014 Aiston ..... D22/122  
D722,128 S \* 2/2015 Wang ..... D22/122  
D734,894 S \* 7/2015 Schlatter ..... D28/76  
D811,517 S \* 2/2018 Chapin ..... D22/122

\* cited by examiner

*Primary Examiner* — Catherine R Oliver-Garcia  
(74) *Attorney, Agent, or Firm* — Eric Karich; Karich & Associates

(56) **References Cited**

U.S. PATENT DOCUMENTS

D89,900 S \* 5/1933 Lippert ..... D22/122  
D251,984 S \* 5/1979 Gombert ..... D23/369  
D368,771 S \* 4/1996 Patel ..... D23/366  
D404,459 S \* 1/1999 Furner ..... D22/119  
6,216,384 B1 \* 4/2001 Dickson ..... A01M 1/2005  
43/131  
D509,890 S \* 9/2005 Stavale ..... D23/366

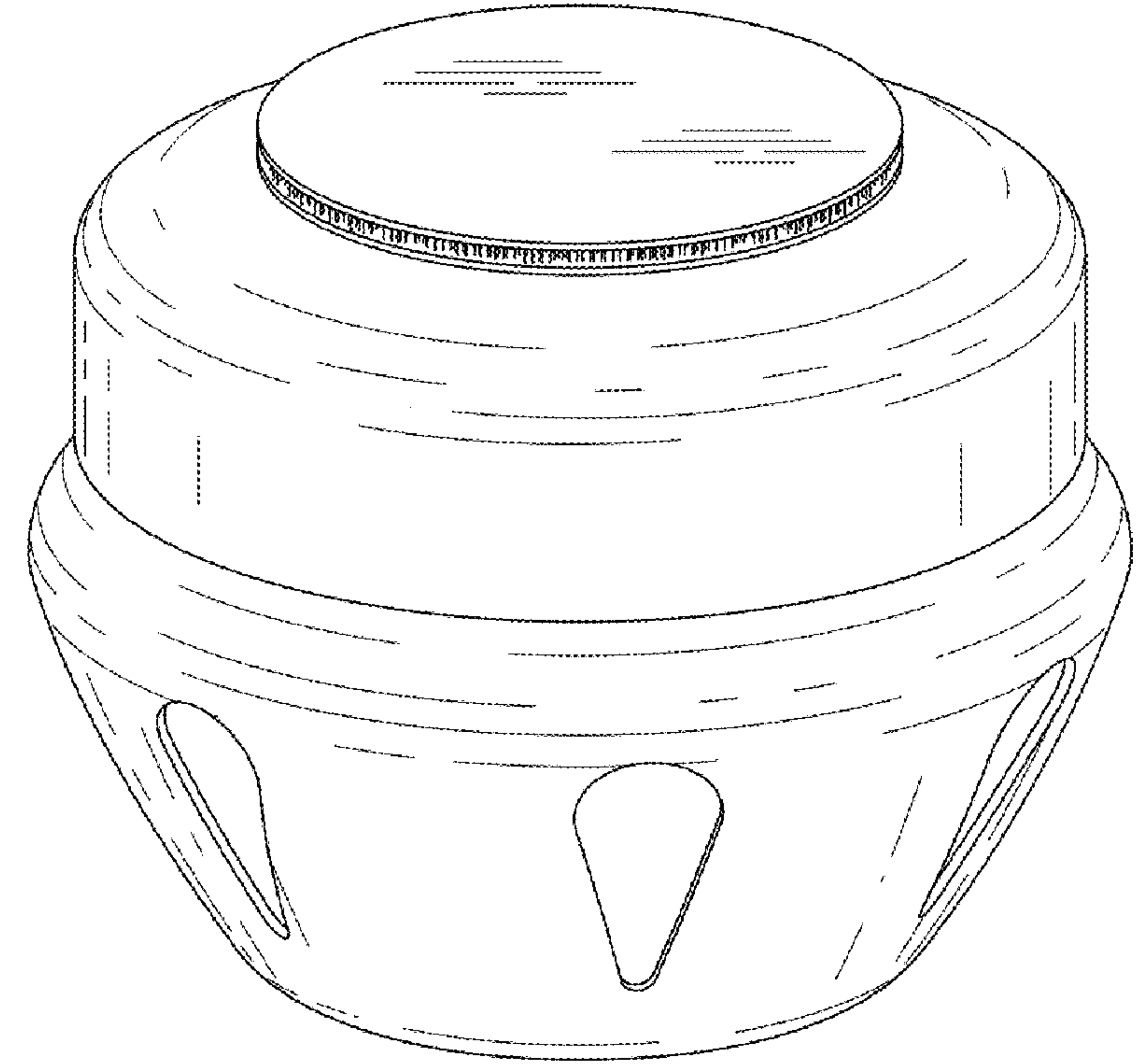
(57) **CLAIM**

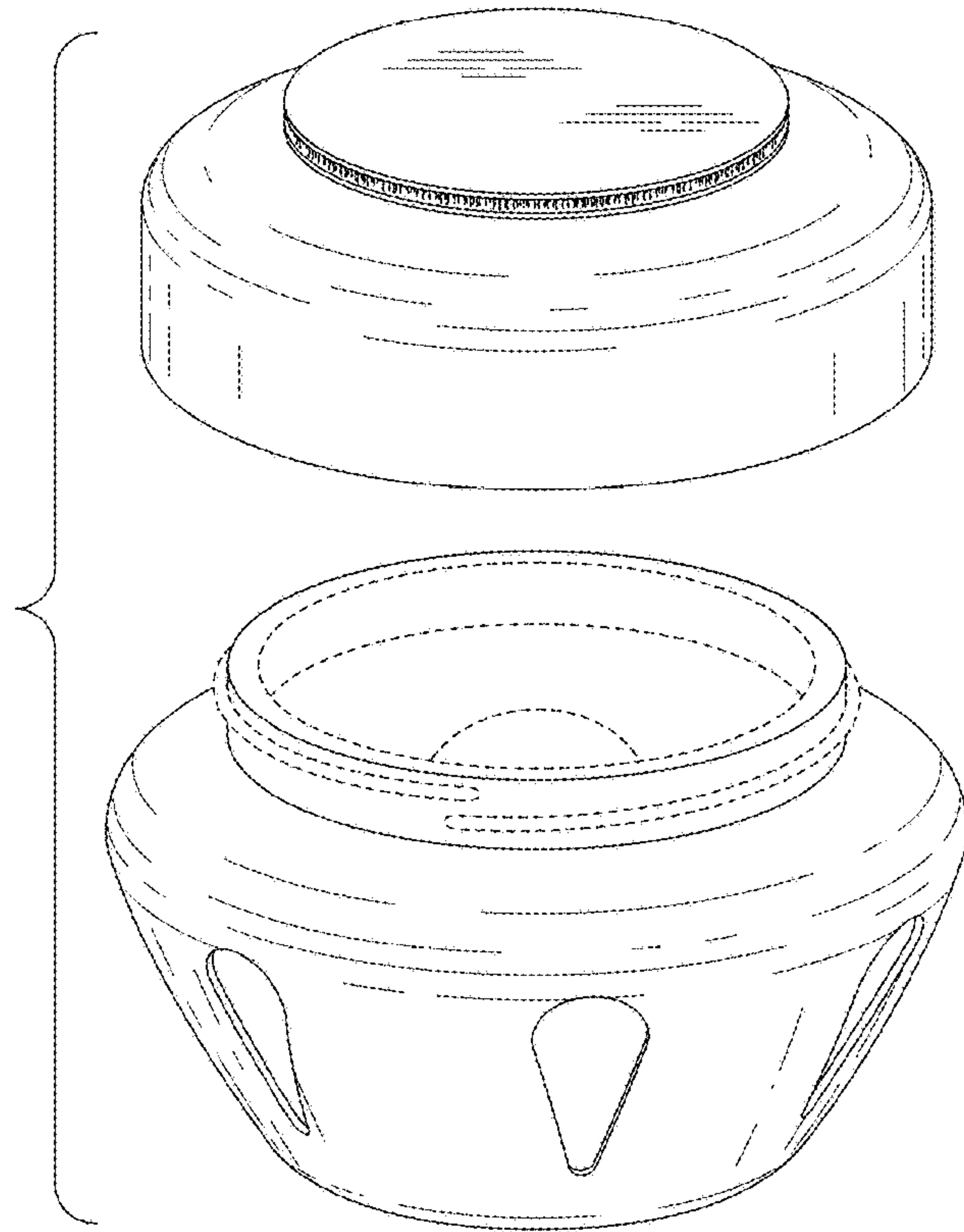
The ornamental design for a insect repellent container, as shown and described.

**DESCRIPTION**

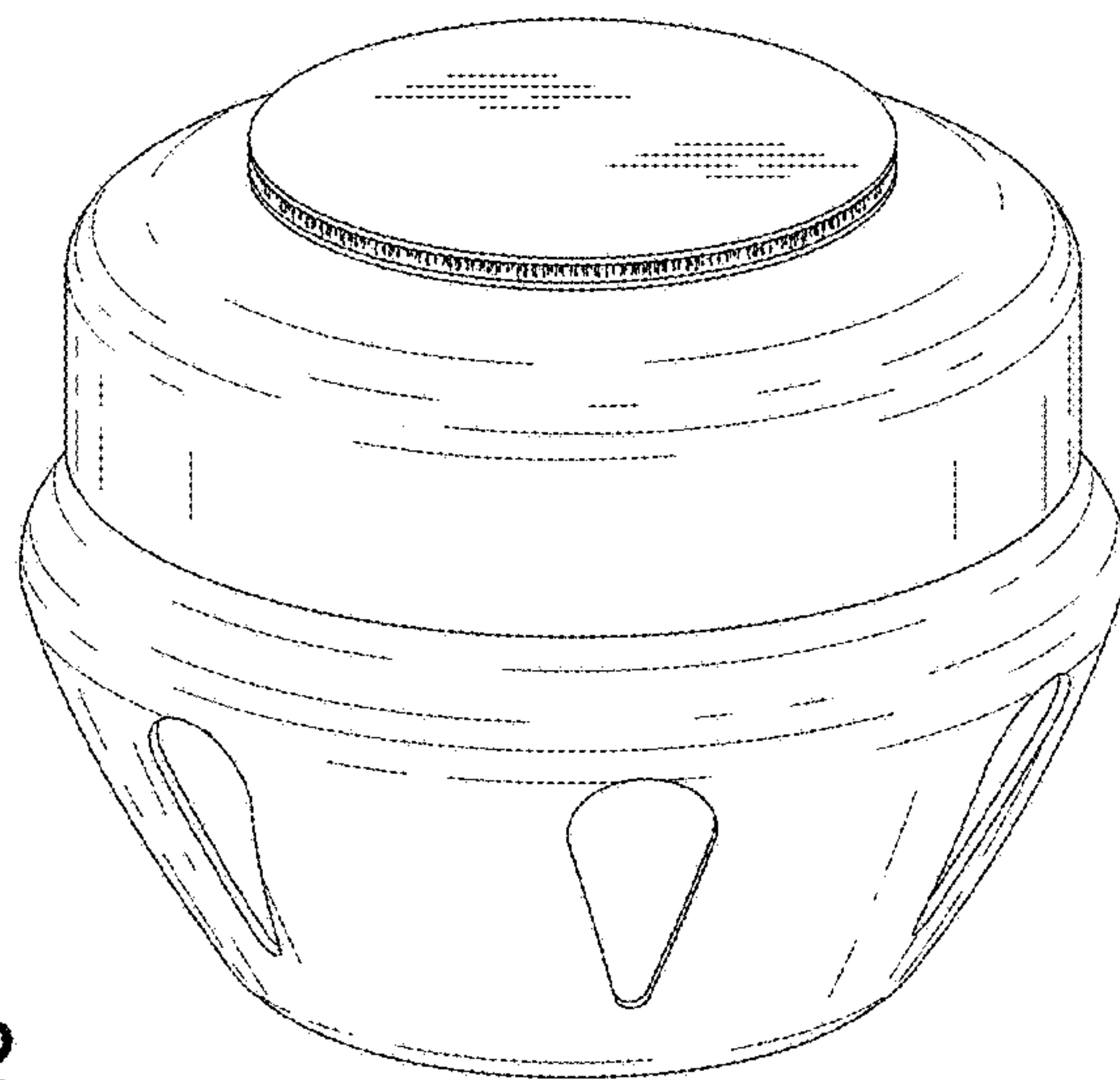
FIG. 1 is an exploded perspective view of an insect repellent container, showing my new design;  
FIG. 2 is a perspective view thereof once assembled;  
FIG. 3 is a bottom perspective view thereof;  
FIG. 4 is a front elevational view thereof;  
FIG. 5 is a rear elevational view thereof;  
FIG. 6 is a left side elevational view thereof;  
FIG. 7 is a right side elevational view thereof;  
FIG. 8 is a top plan view thereof; and,  
FIG. 9 is a bottom plan view thereof.

**1 Claim, 3 Drawing Sheets**

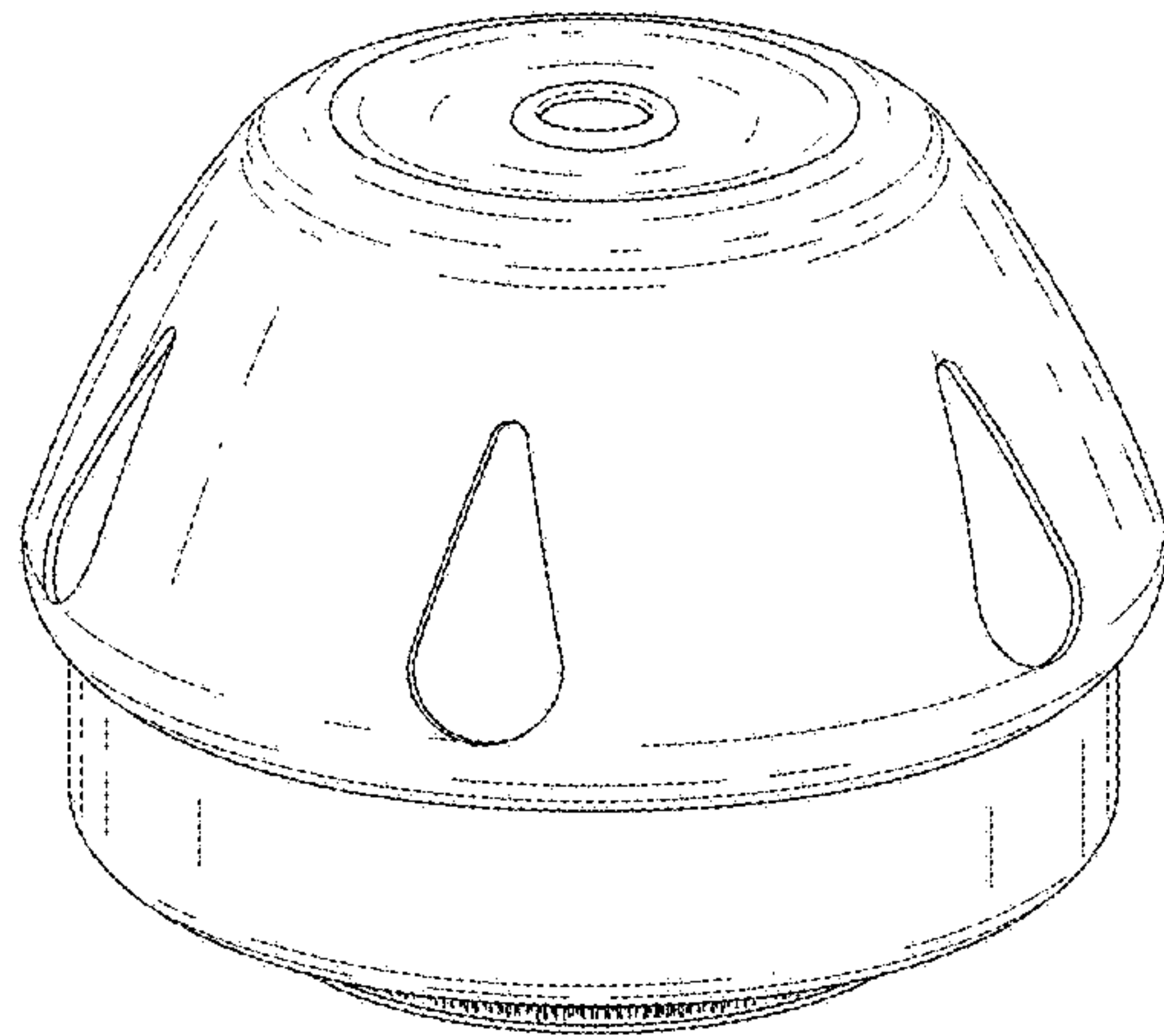




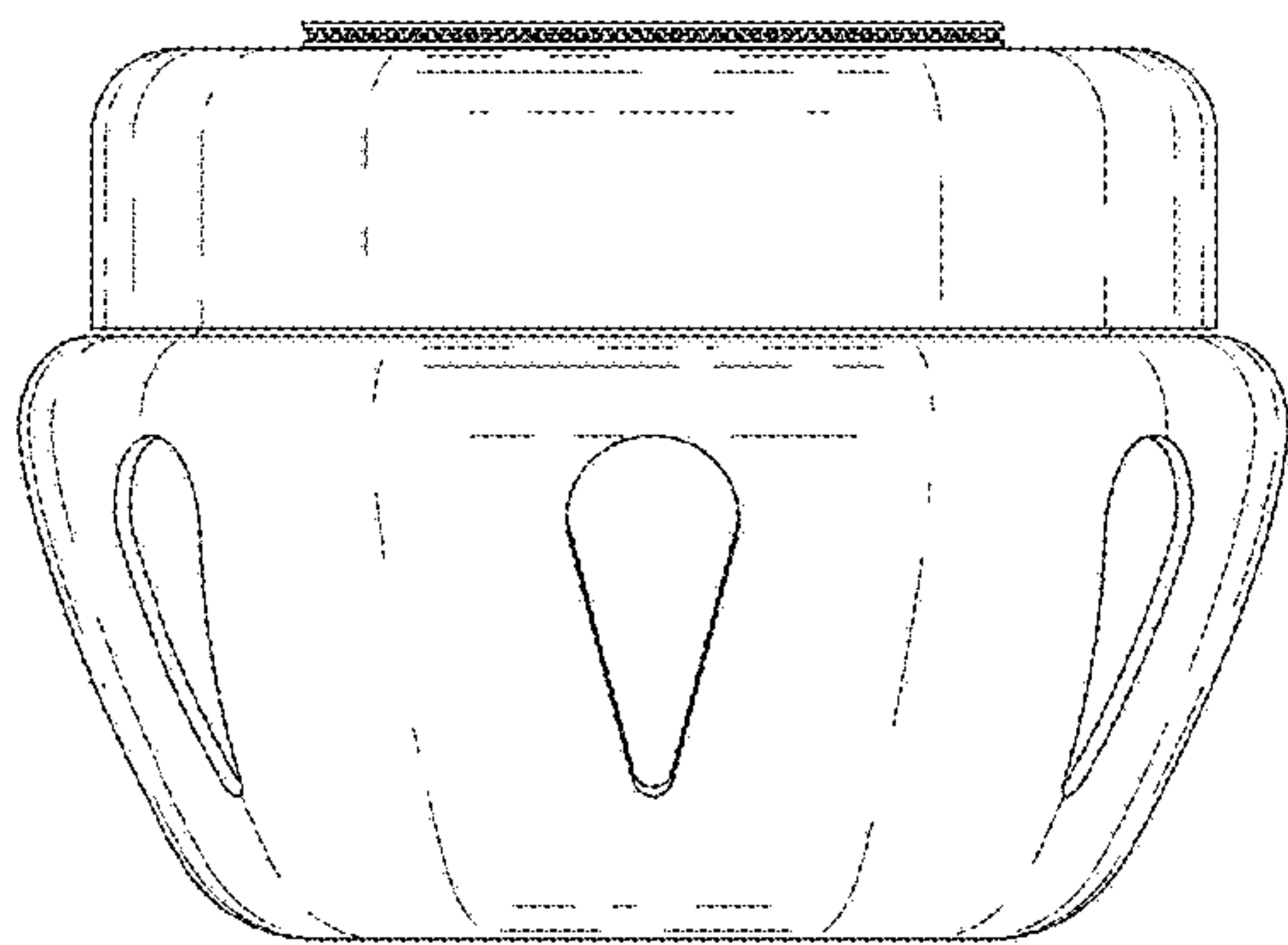
*Fig. 1*



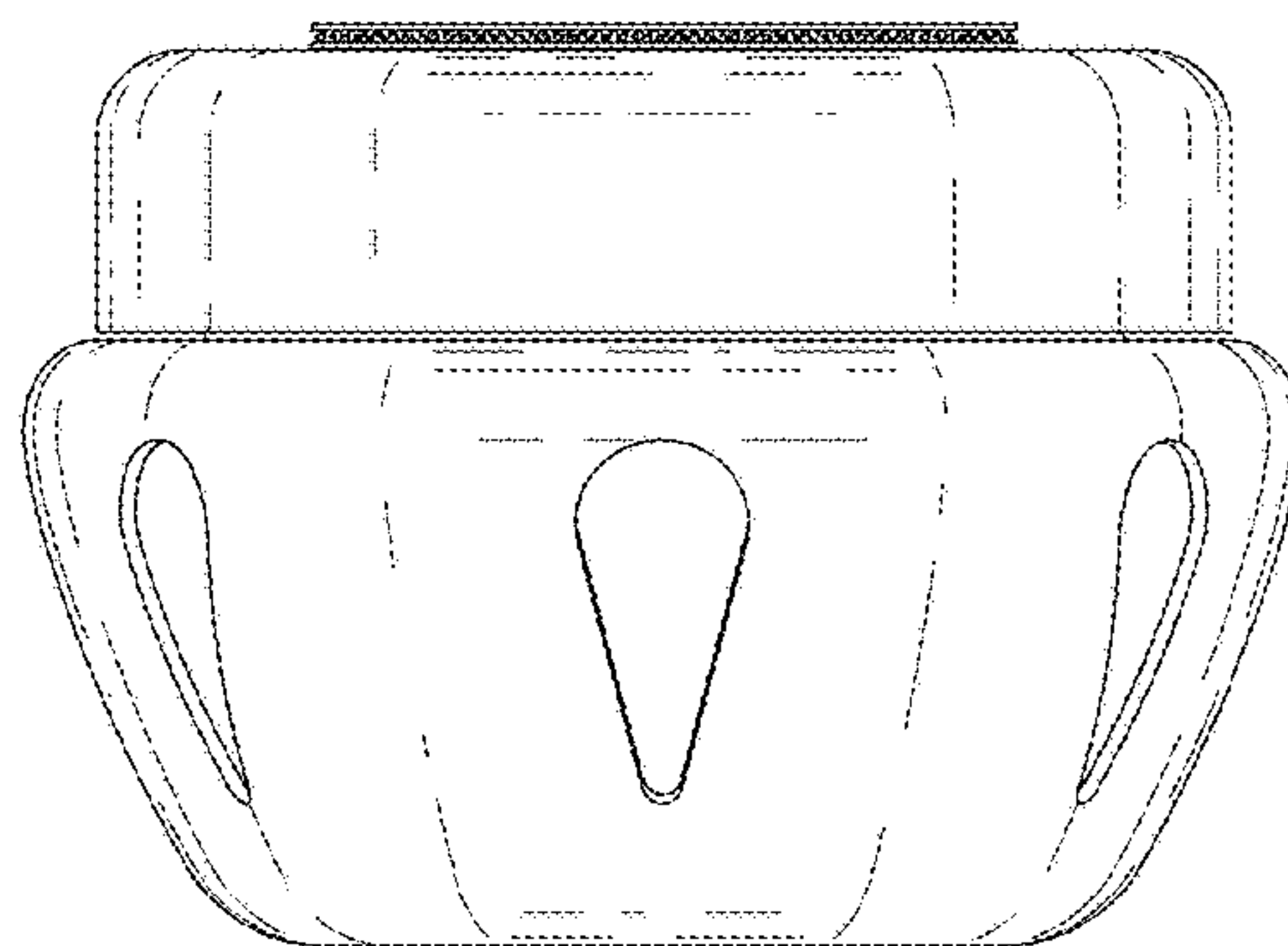
*Fig. 2*



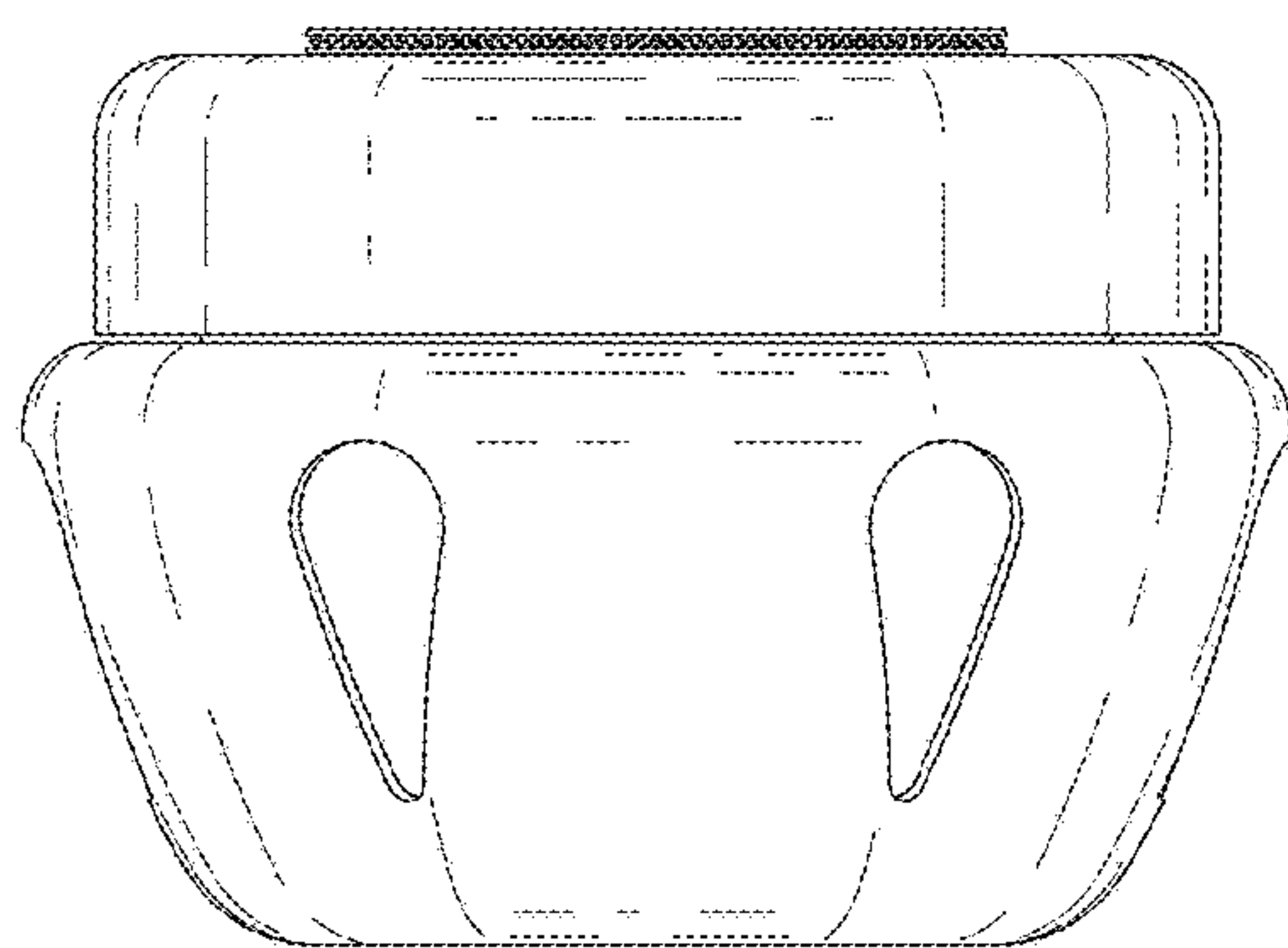
*Fig. 3*



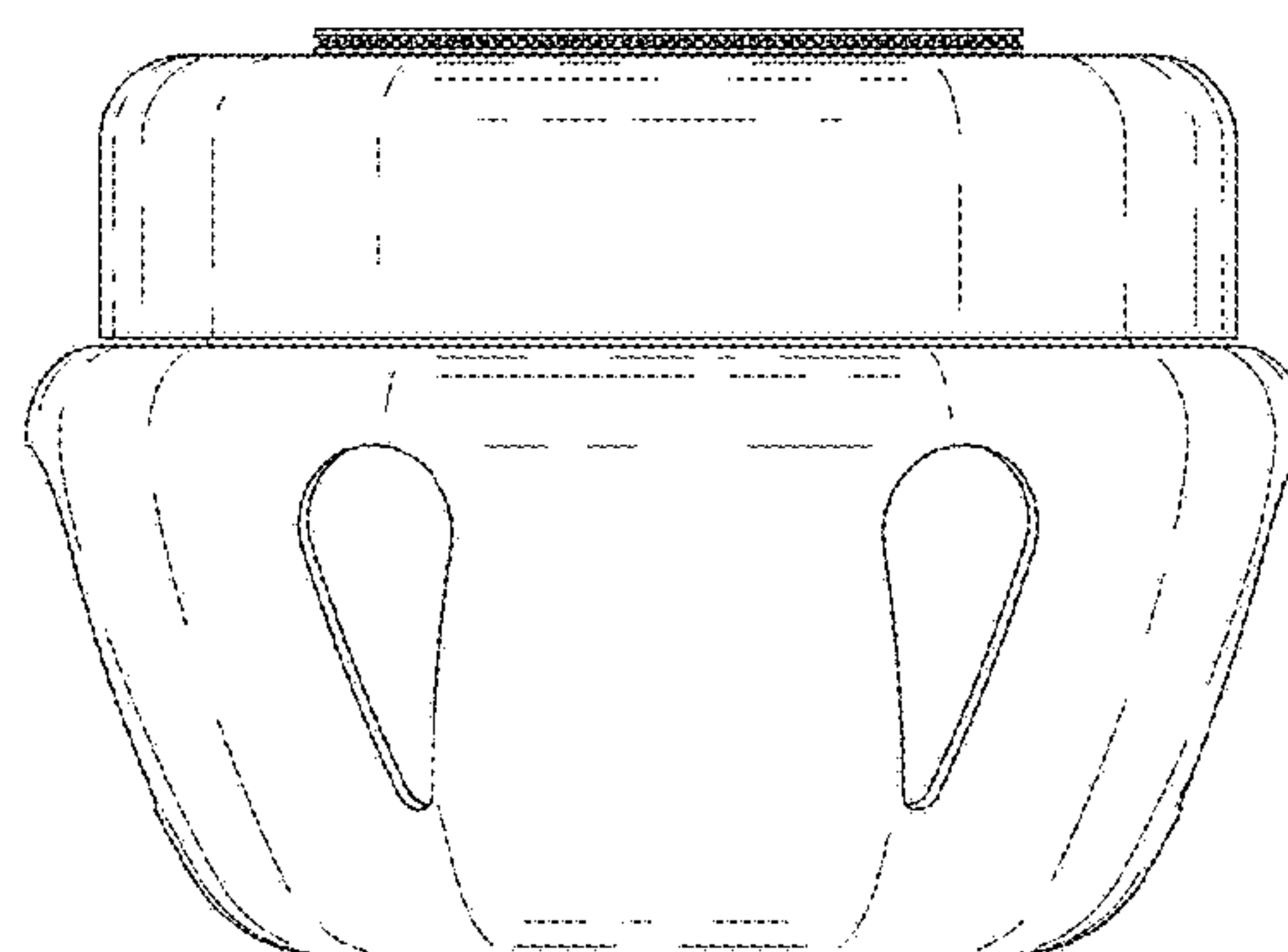
*Fig. 4*



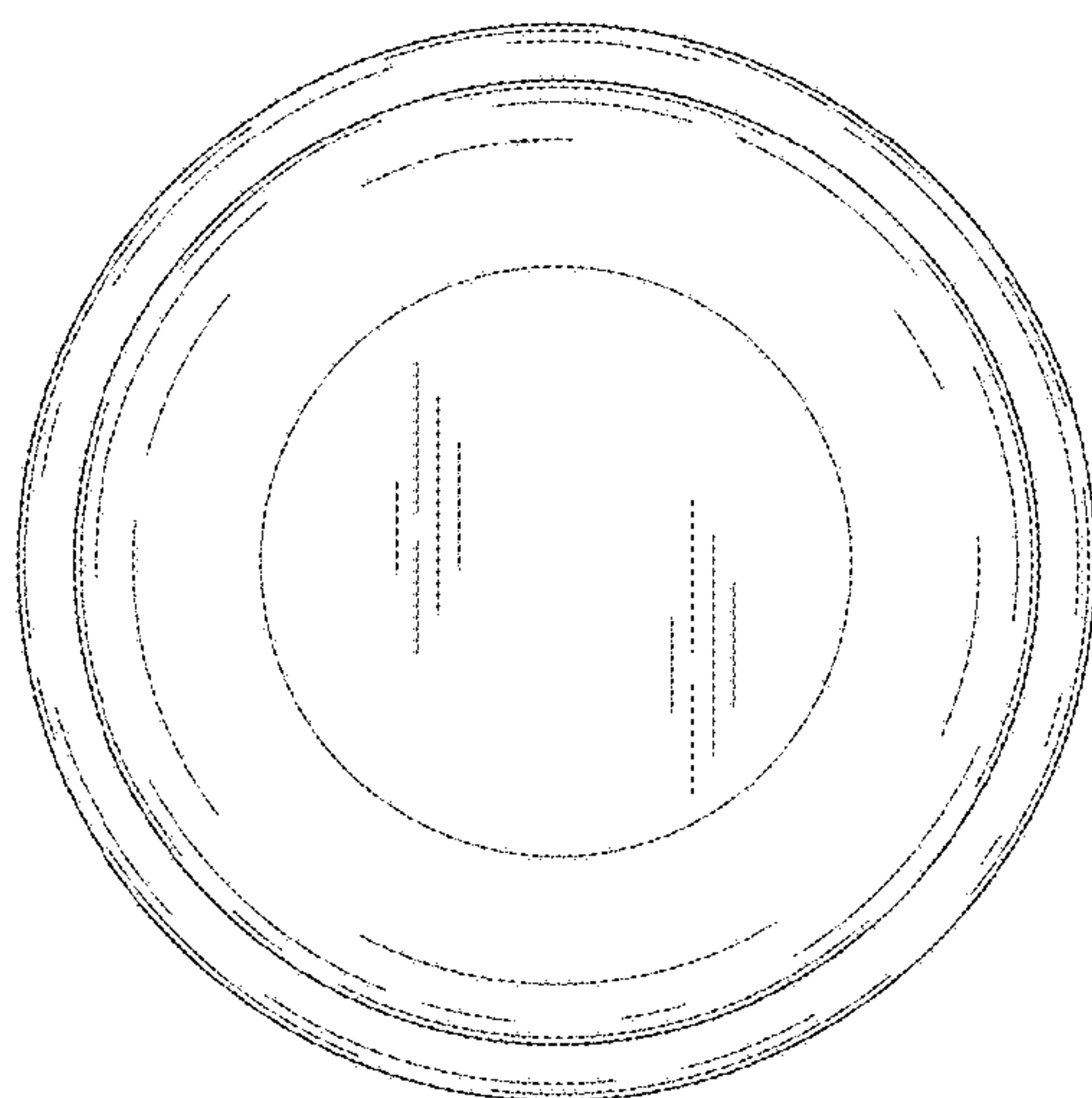
*Fig. 5*



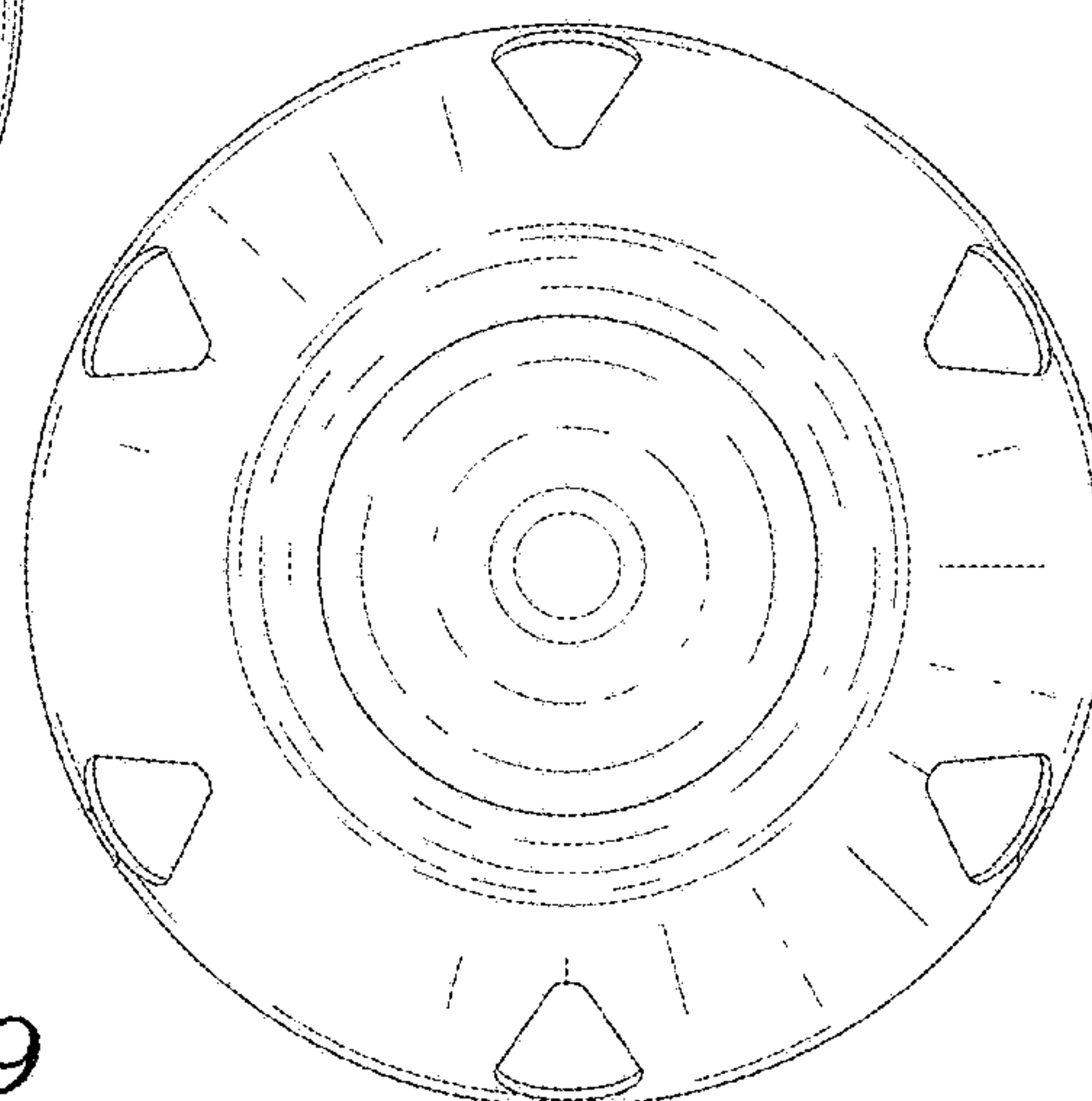
*Fig. 6*



*Fig. 7*



*Fig. 8*



*Fig. 9*