



US00D837929S

(12) **United States Design Patent**
Wright et al.

(10) **Patent No.:** **US D837,929 S**
(45) **Date of Patent:** **** Jan. 8, 2019**

(54) **SCOPE MOUNT**
(71) Applicant: **Bushnell Inc.**, Overland Park, KS (US)
(72) Inventors: **Aden P. Wright**, Chico, CA (US); **Joe Dunning**, Gridley, CA (US)
(73) Assignee: **Bushnell Inc.**, Overland Park, KS (US)
(**) Term: **15 Years**

2,479,886 A 8/1949 Whittemore
2,493,254 A 1/1950 Leupold
2,493,865 A 1/1950 Foster
2,510,289 A 6/1950 Livermore
2,545,419 A 3/1951 Williams
2,555,030 A 5/1951 Fluty
2,624,946 A 1/1953 Miller
2,743,525 A 5/1956 Leupold
2,803,907 A 8/1957 Weaver
3,187,435 A 6/1965 Miller, Jr.

(Continued)

(21) Appl. No.: **29/622,765**
(22) Filed: **Oct. 19, 2017**
(51) **LOC (11) Cl.** **22-01**
(52) **U.S. Cl.**
USPC **D22/110**
(58) **Field of Classification Search**
USPC D22/100, 101, 103, 106, 108, 109, 110,
D22/111, 117, 199; D21/300, 301, 570,
D21/573, 574, 575
CPC F41B 5/14; F41B 5/00; F41C 27/00; F41C
23/14; F41C 23/06; F41C 3/00; F41C
7/00; F41C 23/20; F41C 23/08; F41C
23/10; F41G 11/003; F41G 1/18; F41G
1/38; F41G 1/545
See application file for complete search history.

OTHER PUBLICATIONS

<https://www.amazon.com/dp/B0002IMQ3Y>—Earliest product review date of Sep. 7, 2011.*

(Continued)

Primary Examiner — Manpreet S Matharu
Assistant Examiner — Mojtaba Tehrani
(74) *Attorney, Agent, or Firm* — Christensen, Fonder,
Dardi & Herbert PLLC

(57) **CLAIM**

We claim the ornamental design for a scope mount, as shown and described.

DESCRIPTION

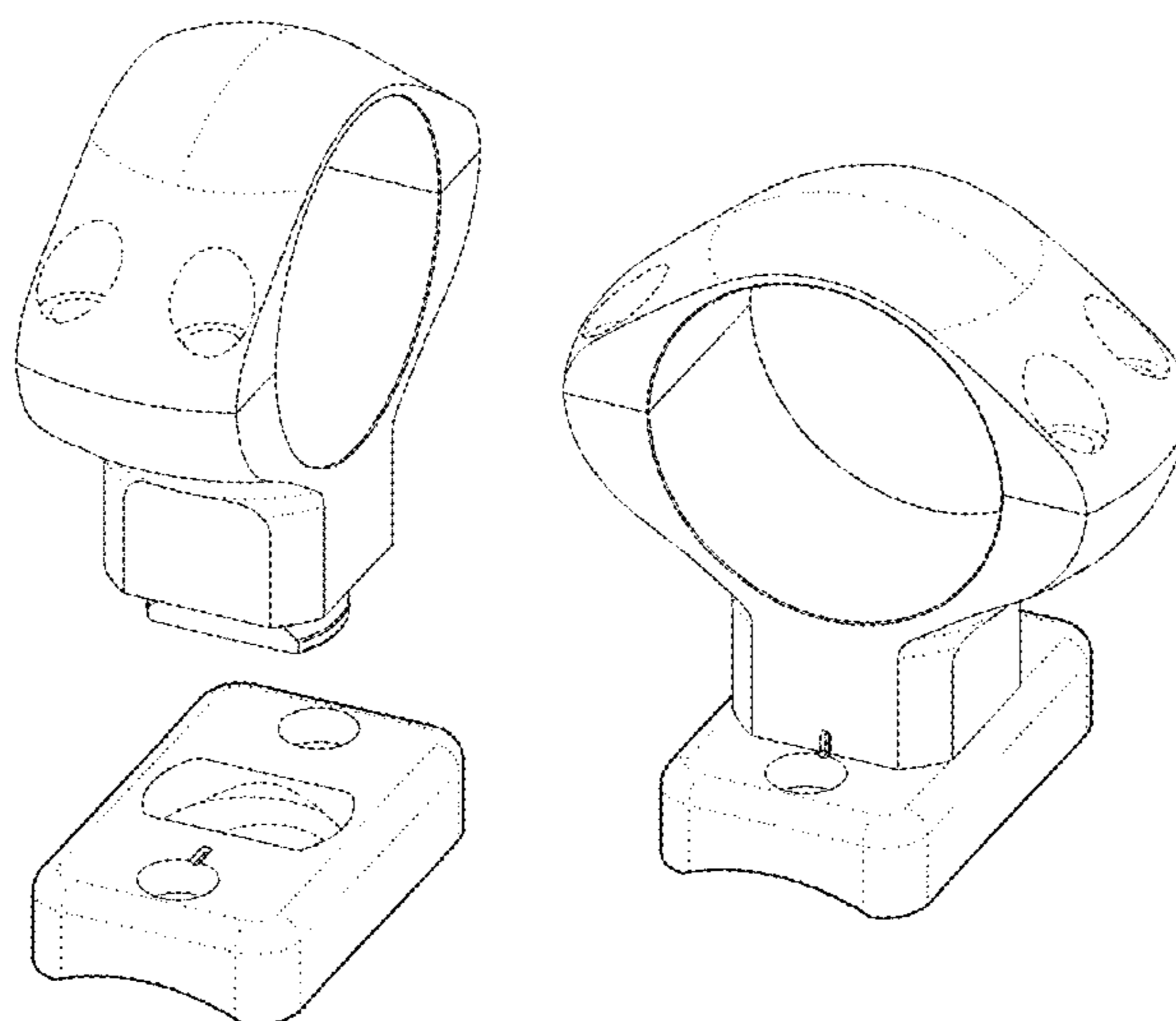
FIG. 1 is a perspective view of a scope mount in its first stage, showing our new design; FIG. 2 is a perspective view thereof in its second stage; FIG. 3 is a perspective view thereof in its third stage; FIG. 4 is a top plan view thereof in its second stage; and, FIG. 5 is a top plan view thereof in its third stage.

Views not shown in the drawings form no part of the claimed design.

The dotted CAD line within the drawings depicts contour. The evenly broken line within the drawings depicts unclaimed portion of the scope mount only and forms no part of the claimed design.

1 Claim, 5 Drawing Sheets

(56) **References Cited**
U.S. PATENT DOCUMENTS
1,194,208 A 8/1916 Meyer
1,418,935 A 6/1922 Knoble
1,837,290 A 12/1928 Redfield
1,816,195 A 7/1931 Redfield
2,036,290 A 4/1936 McCann
2,061,040 A 11/1936 Mossberg
2,135,774 A 11/1938 Tilden
2,187,054 A 1/1940 Redfield
2,306,972 A 12/1942 Meisel
2,445,595 A 7/1944 Bengert
2,365,976 A 12/1944 Sorensen
2,452,145 A 10/1948 Pike



(56)

References Cited

U.S. PATENT DOCUMENTS

3,253,361 A 5/1966 Kingsbury
 3,276,127 A * 10/1966 Abrahamson F41G 11/001
 42/124
 D209,049 S 10/1967 Holden
 D212,690 S 11/1968 Kuharsky, Jr.
 3,491,975 A 1/1970 Weaver
 D226,430 S 3/1973 Johannsen
 3,785,603 A 1/1974 Apel
 D231,674 S 5/1974 Jimenez et al.
 D232,633 S 9/1974 Weast
 3,835,565 A 9/1974 Weast
 3,880,389 A 4/1975 Burris
 4,026,055 A 5/1977 Weast
 D246,983 S 1/1978 Bechtel
 D248,309 S 6/1978 Weast
 D249,538 S 9/1978 Weast
 4,121,363 A 10/1978 York
 D255,140 S 5/1980 Weast
 4,205,473 A 6/1980 Wilson
 4,216,600 A 8/1980 Brueckner et al.
 D257,564 S 11/1980 Weast
 D259,204 S 5/1981 Weast
 D259,944 S 7/1981 Burris
 4,310,980 A * 1/1982 Pilkington F41G 11/006
 42/127
 4,353,180 A * 10/1982 Wilson F41G 11/006
 42/127
 D269,449 S 6/1983 Bechtel
 D269,450 S 6/1983 Bechtel
 4,397,107 A 8/1983 Holden
 D275,494 S 9/1984 Ruger
 4,574,508 A 3/1986 Ross
 4,703,576 A * 11/1987 Burris F41G 11/003
 42/125
 4,742,636 A 5/1988 Swan
 D317,344 S 6/1991 Klumpp
 5,111,587 A 5/1992 Plank
 D346,198 S * 4/1994 Herringshaw D22/110
 5,390,419 A 2/1995 Sirkis
 D383,826 S * 9/1997 Weigand D22/109
 D391,335 S 2/1998 Bechtel
 D403,393 S 12/1998 Weast
 D417,679 S 12/1999 Cross et al.

D420,719 S 2/2000 Bell
 D435,284 S 12/2000 Sutula
 D554,730 S * 11/2007 Coggins D22/110
 7,730,655 B2 6/2010 Spuhr
 D638,089 S * 5/2011 Ding D22/109
 7,971,384 B2 * 7/2011 Lippard F41G 11/007
 42/124
 D691,237 S * 10/2013 Beckett D22/109
 D693,423 S * 11/2013 Beckett D22/108
 D698,000 S * 1/2014 Beckett D22/109
 9,157,698 B2 10/2015 Cosentino
 D755,342 S * 5/2016 Ding D22/109
 9,523,553 B2 12/2016 Sharron et al.
 D777,289 S * 1/2017 Cheng D22/109
 D779,623 S * 2/2017 Geissele D22/110
 9,574,853 B2 2/2017 Crispin
 D802,703 S * 11/2017 Perales D22/109
 D806,822 S * 1/2018 Bengtsson D22/110
 D806,823 S * 1/2018 Bengtsson D22/110
 2004/0148842 A1 * 8/2004 Aalto F41G 11/003
 42/127
 2005/0241212 A1 * 11/2005 Swan F41G 11/003
 42/127
 2006/0010758 A1 * 1/2006 Zeh F41G 11/001
 42/124
 2006/0123686 A1 * 6/2006 Larue F41G 11/003
 42/127
 2009/0133311 A1 * 5/2009 Hollenbach F41G 11/001
 42/124
 2010/0043271 A1 * 2/2010 Williams F41G 11/003
 42/124
 2011/0247255 A1 * 10/2011 Ding F41G 11/003
 42/90
 2012/0055062 A1 * 3/2012 Mironichev F41C 23/02
 42/85
 2013/0283663 A1 * 10/2013 Joplin F41G 11/003
 42/124

OTHER PUBLICATIONS

<http://www.browning.com/products/shooting-accessories/scope-rings-and-bases/abolt-integrated-scope-mount-system.html>—Retrieved on Jul. 24, 2018.*

* cited by examiner

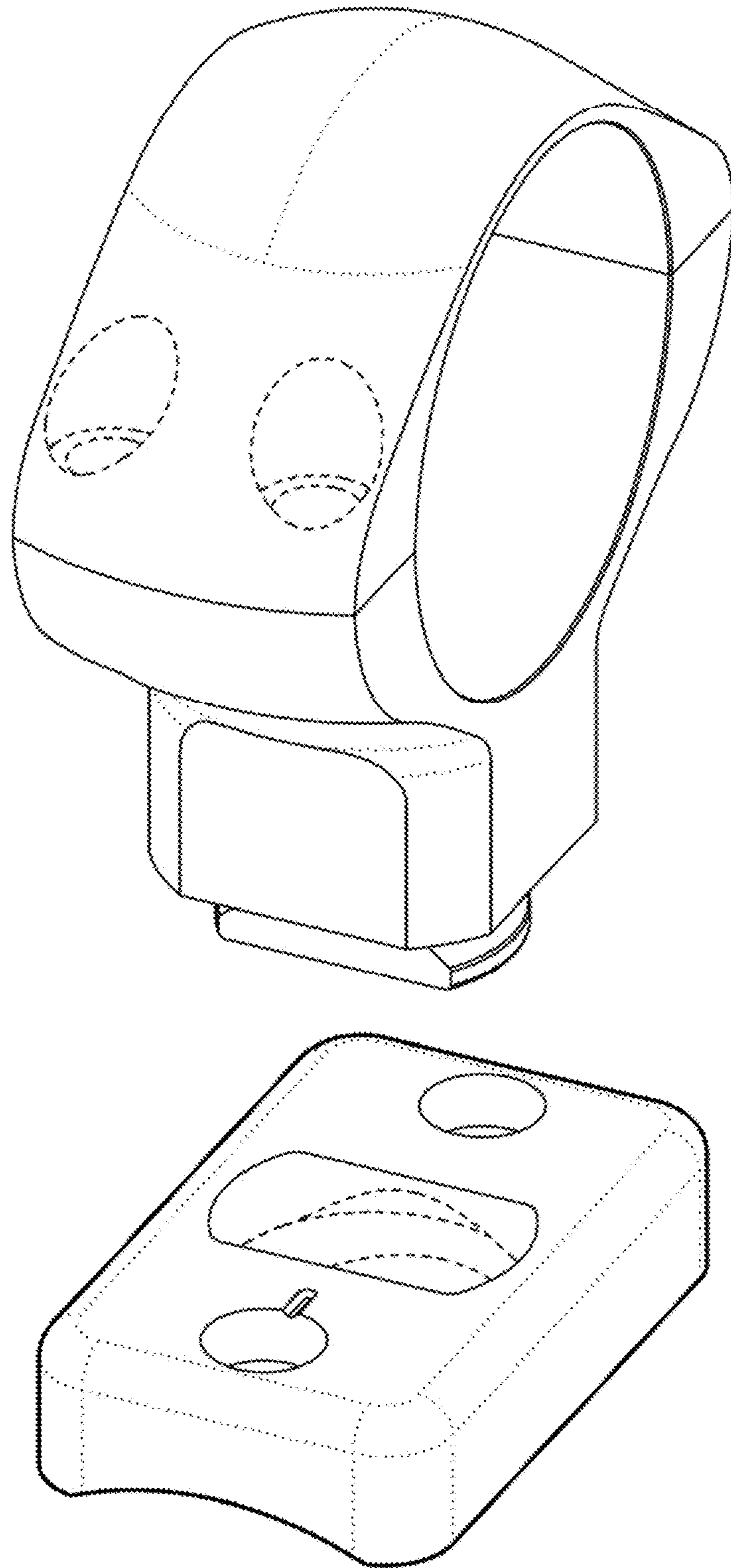


FIG. 1

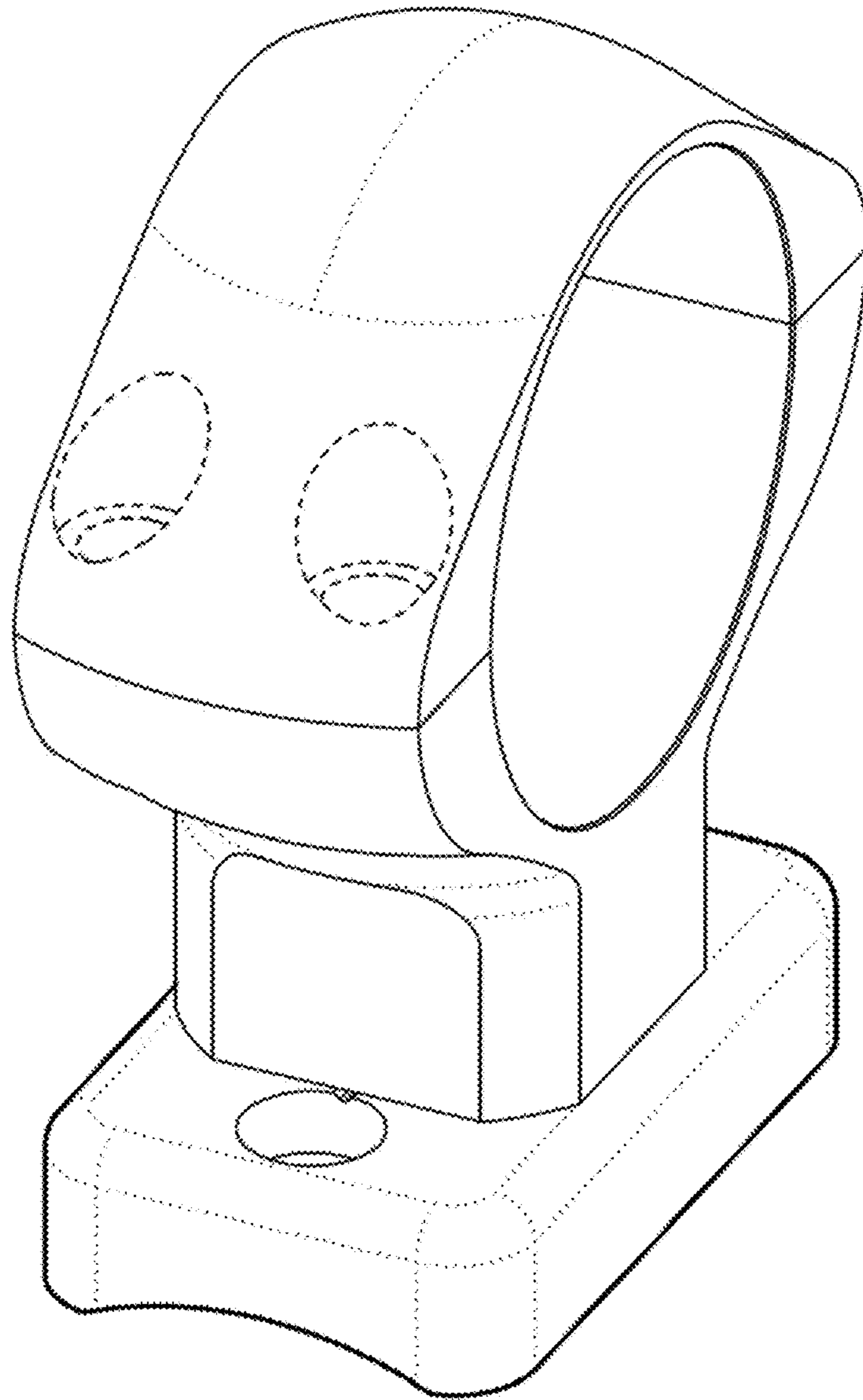


FIG. 2

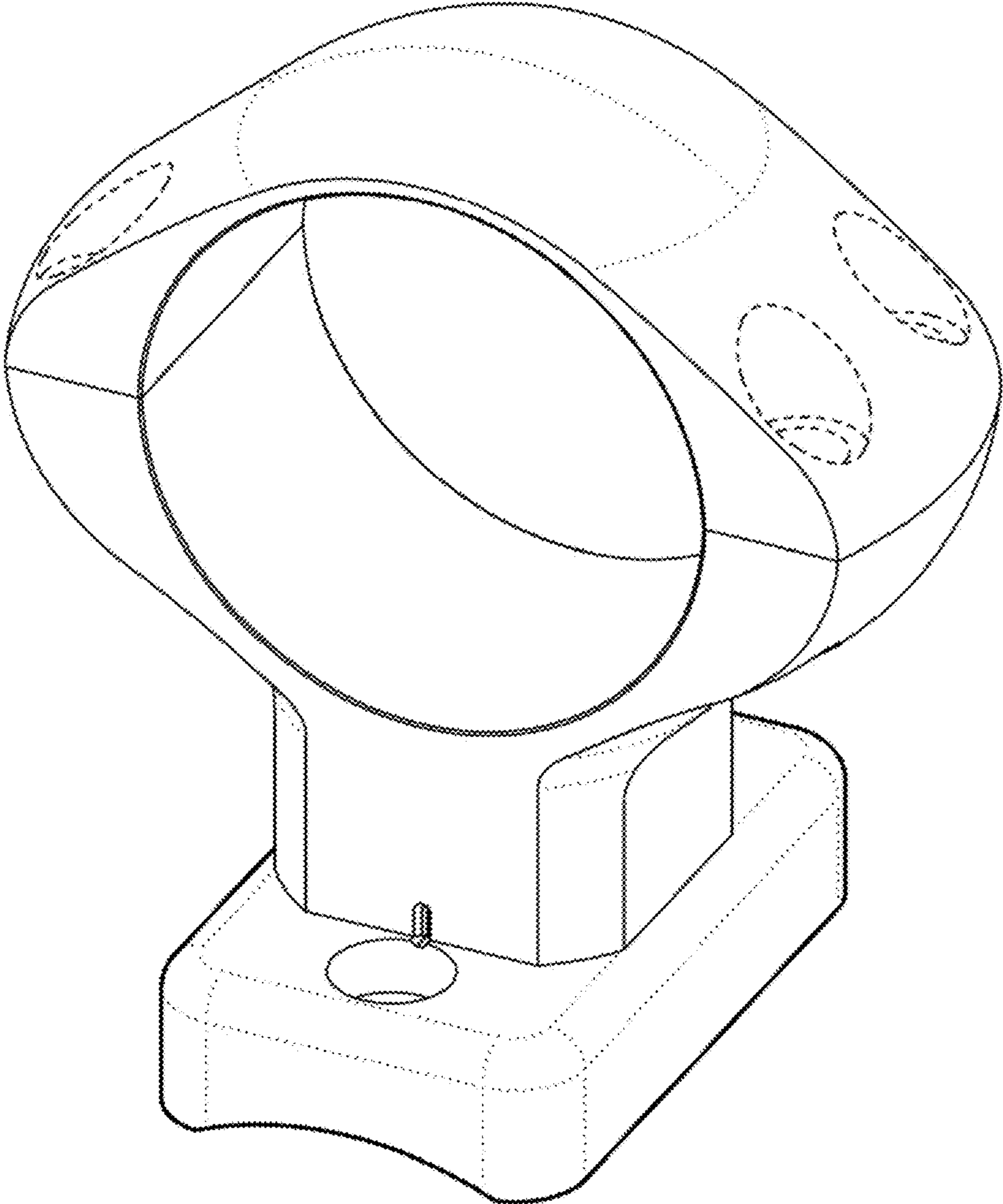


FIG. 3

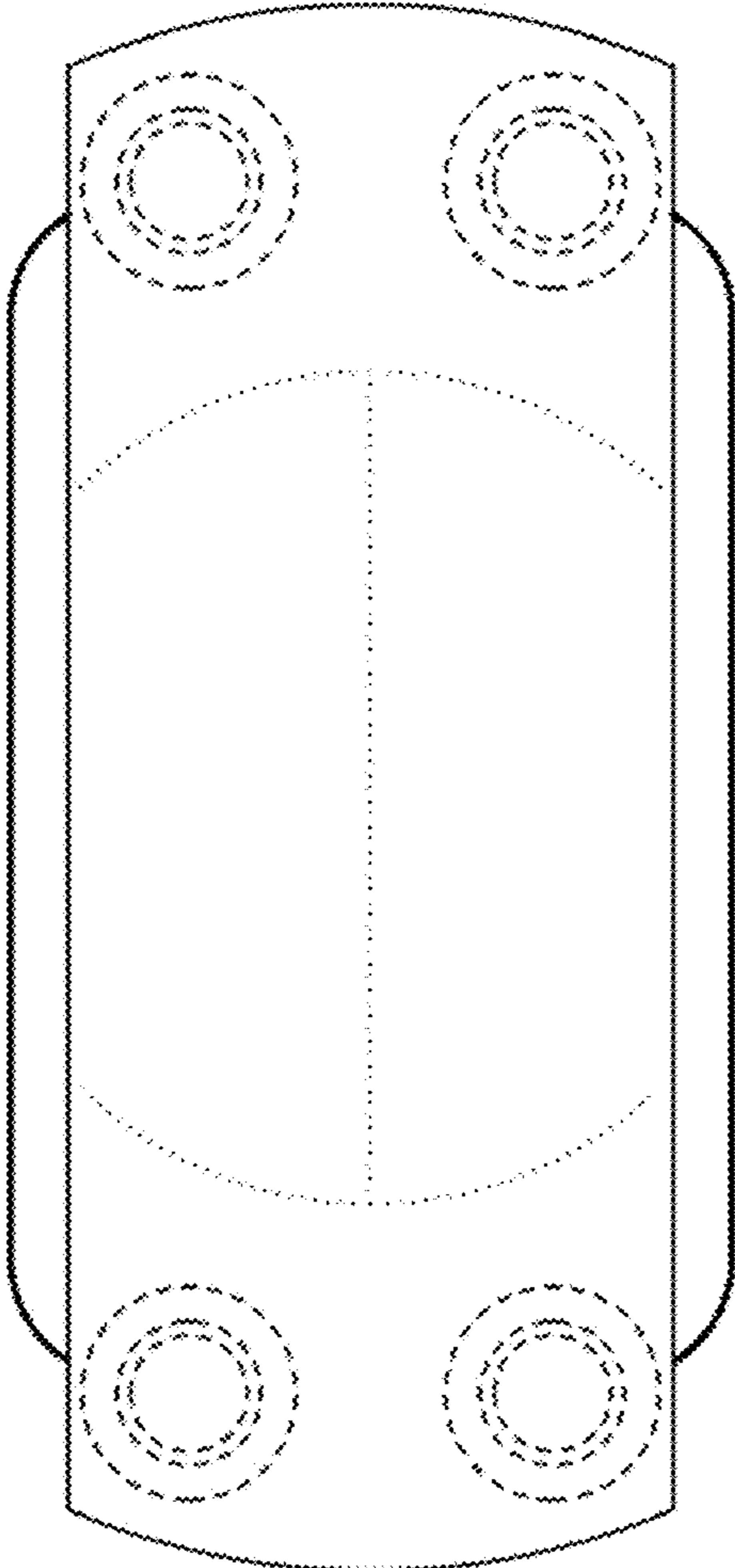


FIG. 4

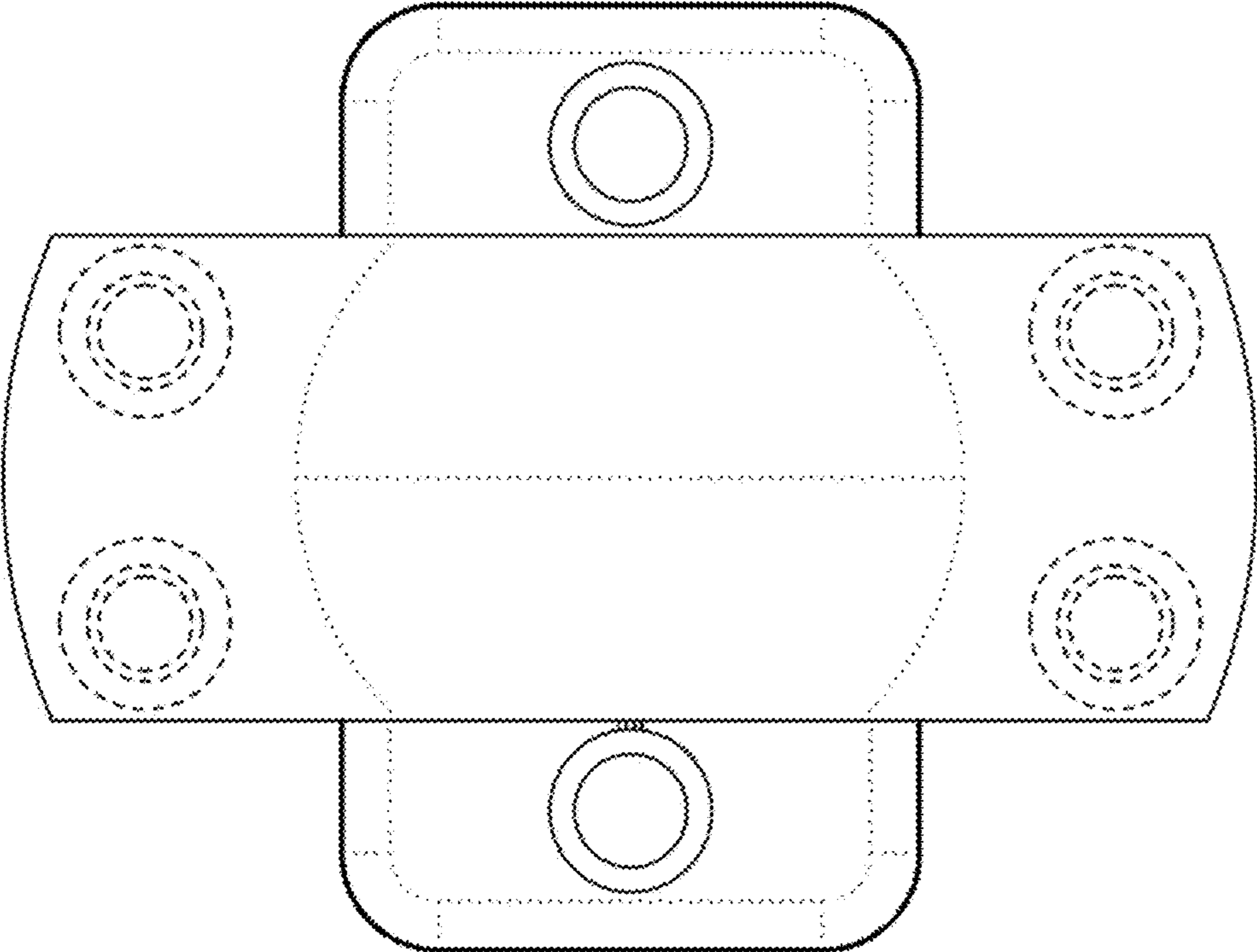


FIG. 5