



US00D837928S

(12) **United States Design Patent** (10) **Patent No.:** **US D837,928 S**  
**Planck** (45) **Date of Patent:** **\*\* Jan. 8, 2019**

(54) **LASER DEVICE**  
(71) Applicant: **Crimson Trace Corporation,**  
Wilsonville, OR (US)  
(72) Inventor: **William A. Planck,** Hillsboro, OR (US)  
(73) Assignee: **Crimson Trace Corporation,**  
Wilsonville, OR (US)  
(\*\*) Term: **15 Years**

D692,518 S \* 10/2013 Anderson ..... D22/108  
D693,898 S \* 11/2013 Essig ..... D22/108  
D694,847 S \* 12/2013 Anderson ..... D22/108  
D694,848 S \* 12/2013 Anderson ..... D22/109  
D696,376 S \* 12/2013 Anderson ..... D22/109  
D709,981 S \* 7/2014 Johnston ..... D22/108  
D738,456 S \* 9/2015 Hughes ..... D22/109  
D738,457 S \* 9/2015 Johnston ..... D22/109  
D757,206 S \* 5/2016 Delgado Acarreta ..... D22/109  
D763,399 S \* 8/2016 Anderson ..... D22/109  
D763,400 S \* 8/2016 Johnston ..... D22/109

(Continued)

(21) Appl. No.: **29/590,950**  
(22) Filed: **Jan. 13, 2017**  
(51) **LOC (11) Cl.** ..... **22-01**  
(52) **U.S. Cl.**  
USPC ..... **D22/109**  
(58) **Field of Classification Search**  
USPC ..... D22/100, 101, 102, 103, 104, 105, 106,  
D22/107, 108, 109, 110, 111  
CPC .... F41B 5/14; F41B 5/00; F41C 27/00; F41C  
23/14; F41C 23/06; F41C 3/00; F41C  
7/00; F41C 23/20; F41C 23/08; F41C  
23/10; F41G 11/003; F41G 1/18; F41G  
1/38; F41G 1/545  
See application file for complete search history.

**OTHER PUBLICATIONS**

<https://www.amazon.com/Crimson-Trace-LG-489G-Laserguard-Pistols/dp/B00L0RXDHO/>—Retrieved Feb. 22, 2018.\*

(Continued)

*Primary Examiner* — Manpreet S Matharu  
*Assistant Examiner* — Mojtaba Tehrani  
(74) *Attorney, Agent, or Firm* — Schwabe, Williamson & Wyatt, P.C.

(57) **CLAIM**

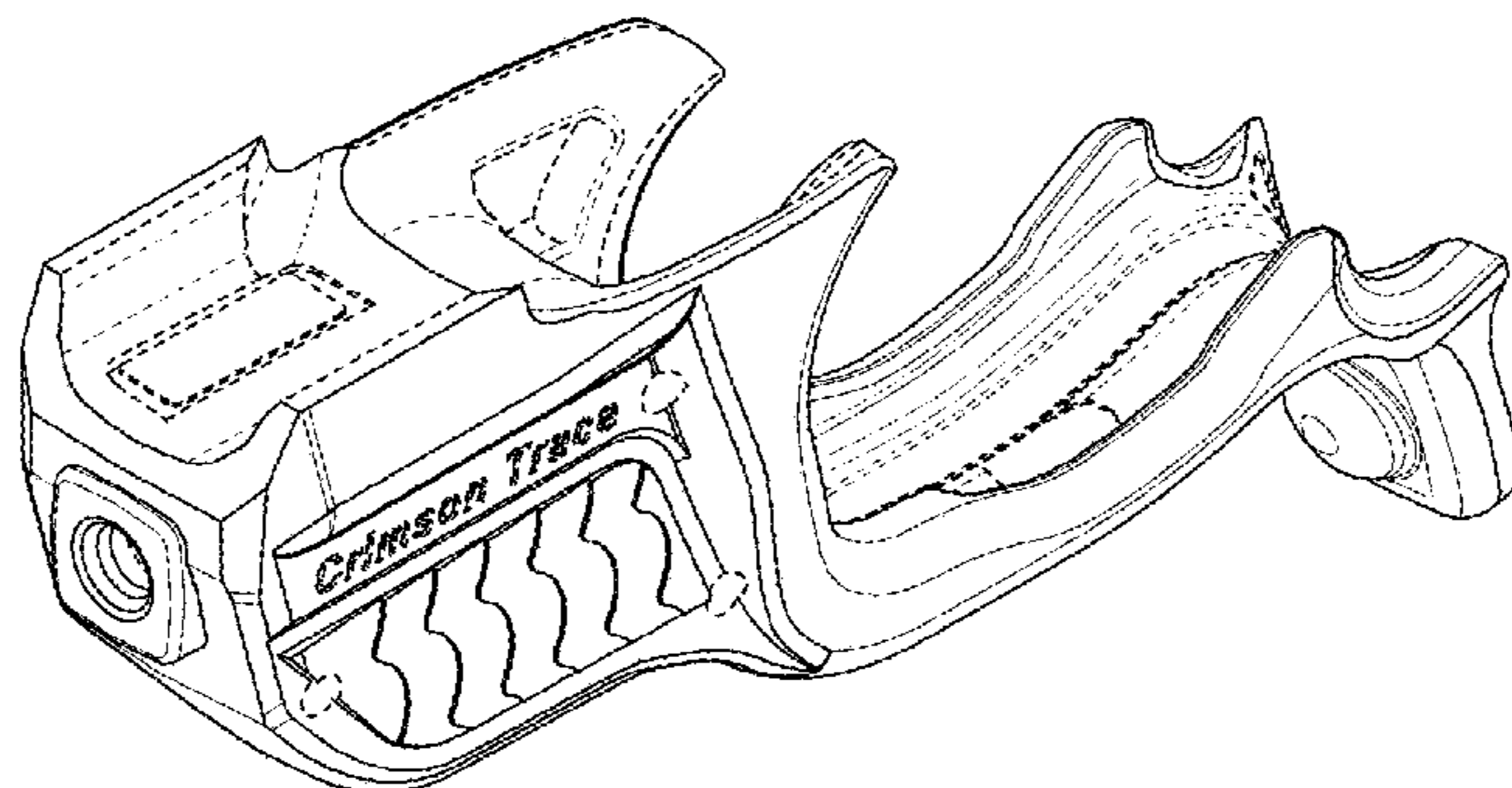
The ornamental design for a laser device, as shown and described.

**DESCRIPTION**

FIG. 1 is a perspective view of a laser device, showing our new design;  
FIG. 2 is a front view thereof;  
FIG. 3 is a rear view thereof;  
FIG. 4 is a right side view thereof;  
FIG. 5 is a left side view thereof;  
FIG. 6 is a top view thereof; and,  
FIG. 7 is a bottom view thereof.  
The broken line within the drawings depicts unclaimed portion of the laser device only and forms no part of the claimed design.

**1 Claim, 7 Drawing Sheets**

(56) **References Cited**  
U.S. PATENT DOCUMENTS  
D603,478 S \* 11/2009 Hughes ..... F41G 11/001  
D22/110  
D636,049 S \* 4/2011 Hughes ..... F41G 11/001  
D22/109  
D636,837 S \* 4/2011 Hughes ..... F41G 11/001  
D22/109  
D669,553 S \* 10/2012 Hughes ..... D22/109  
D669,958 S \* 10/2012 Essig ..... D22/108  
D669,959 S \* 10/2012 Johnston ..... D22/108  
D674,861 S \* 1/2013 Johnston ..... D22/109  
D674,862 S \* 1/2013 Johnston ..... D22/109  
D687,120 S \* 7/2013 Hughes ..... D22/109



(56)

**References Cited**

U.S. PATENT DOCUMENTS

D778,390 S \* 2/2017 Zhang ..... D22/109  
D792,544 S \* 7/2017 Hartley ..... D22/108  
D796,622 S \* 9/2017 Sharrah ..... D22/109  
D802,704 S \* 11/2017 Planck ..... D22/109  
2012/0124885 A1\* 5/2012 Caulk ..... F41G 1/35  
42/146  
2013/0145672 A1\* 6/2013 Tuller, Jr. .... F41G 1/00  
42/114  
2015/0369554 A1\* 12/2015 Kramer ..... F41A 17/063  
386/227

OTHER PUBLICATIONS

<https://www.amazon.com/LaserMax-Shield-Centerfire-Laser-SHIELD/dp/B0080R1XCY/>—Retrieved Feb. 22, 2018.\*

\* cited by examiner

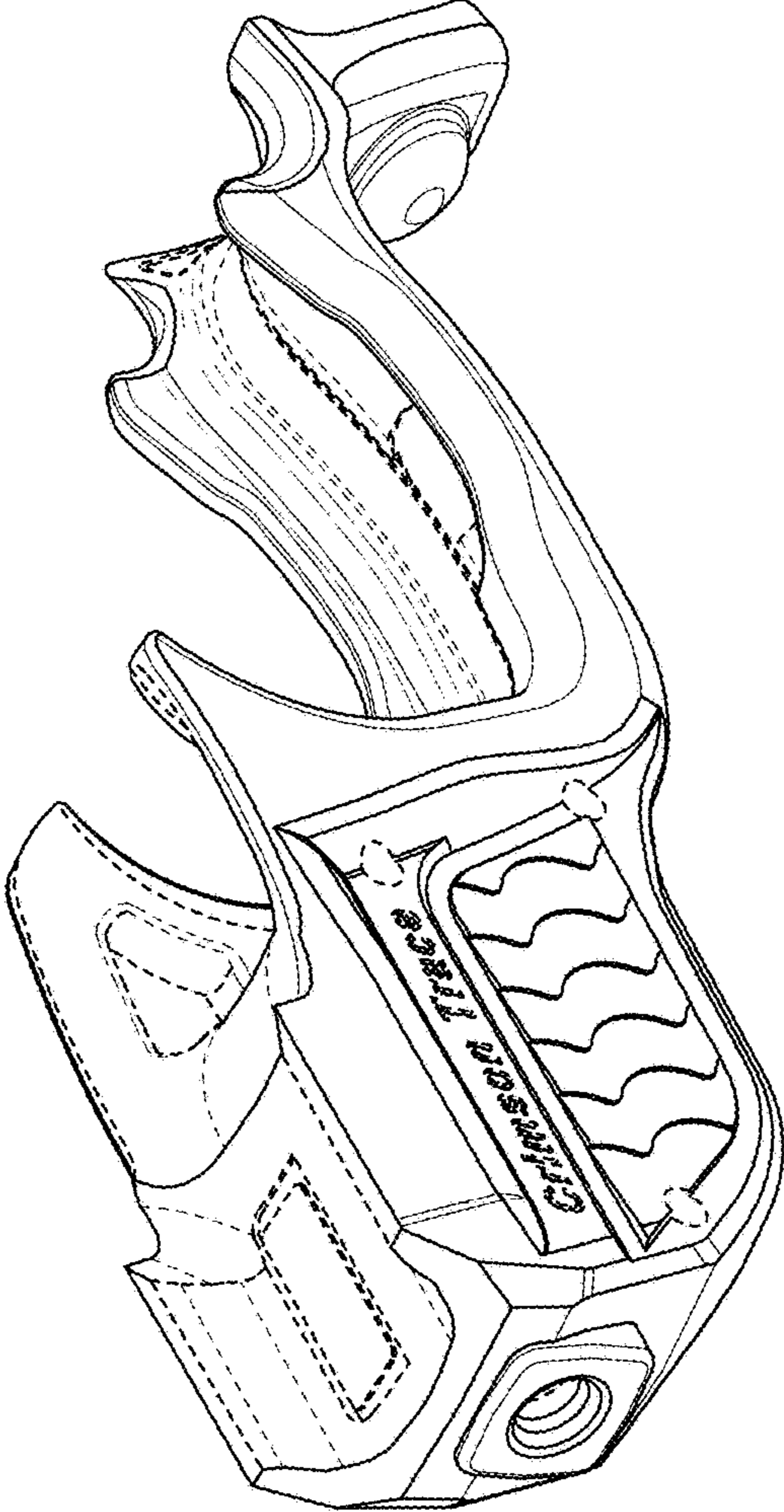


FIG. 1

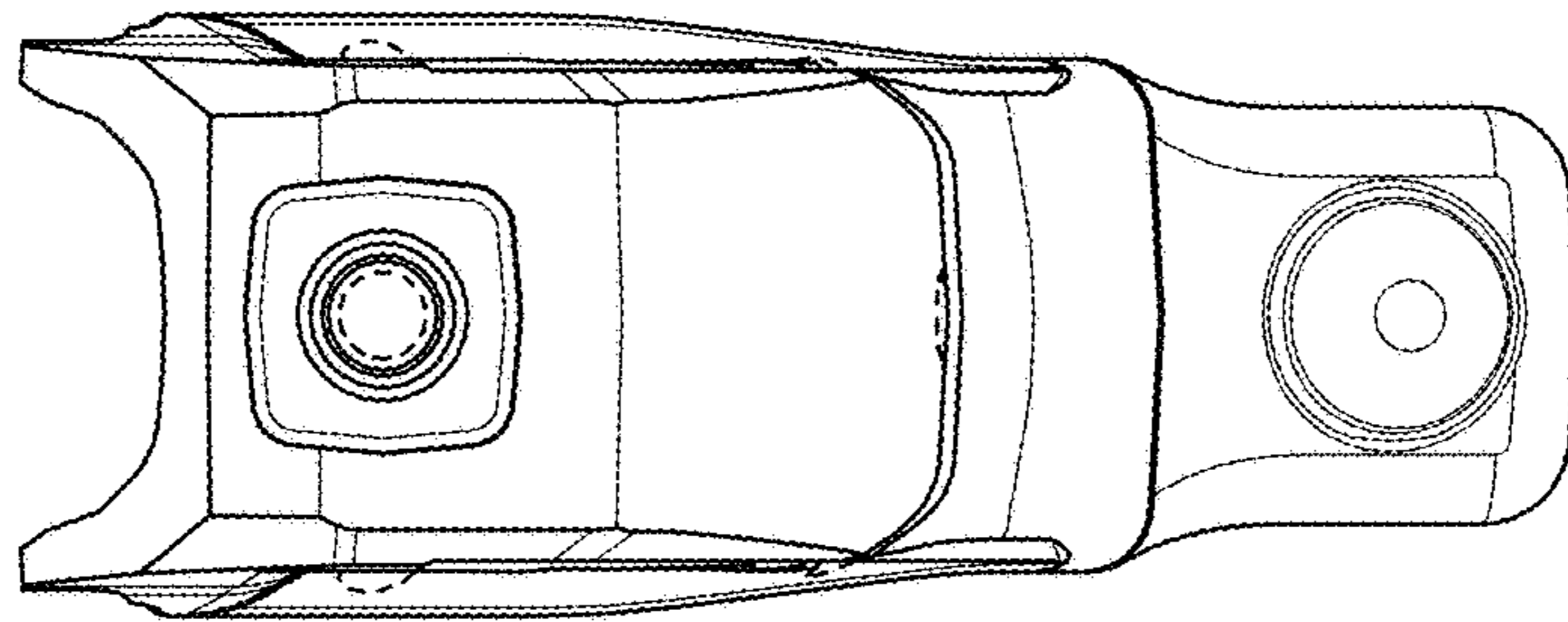


FIG. 2

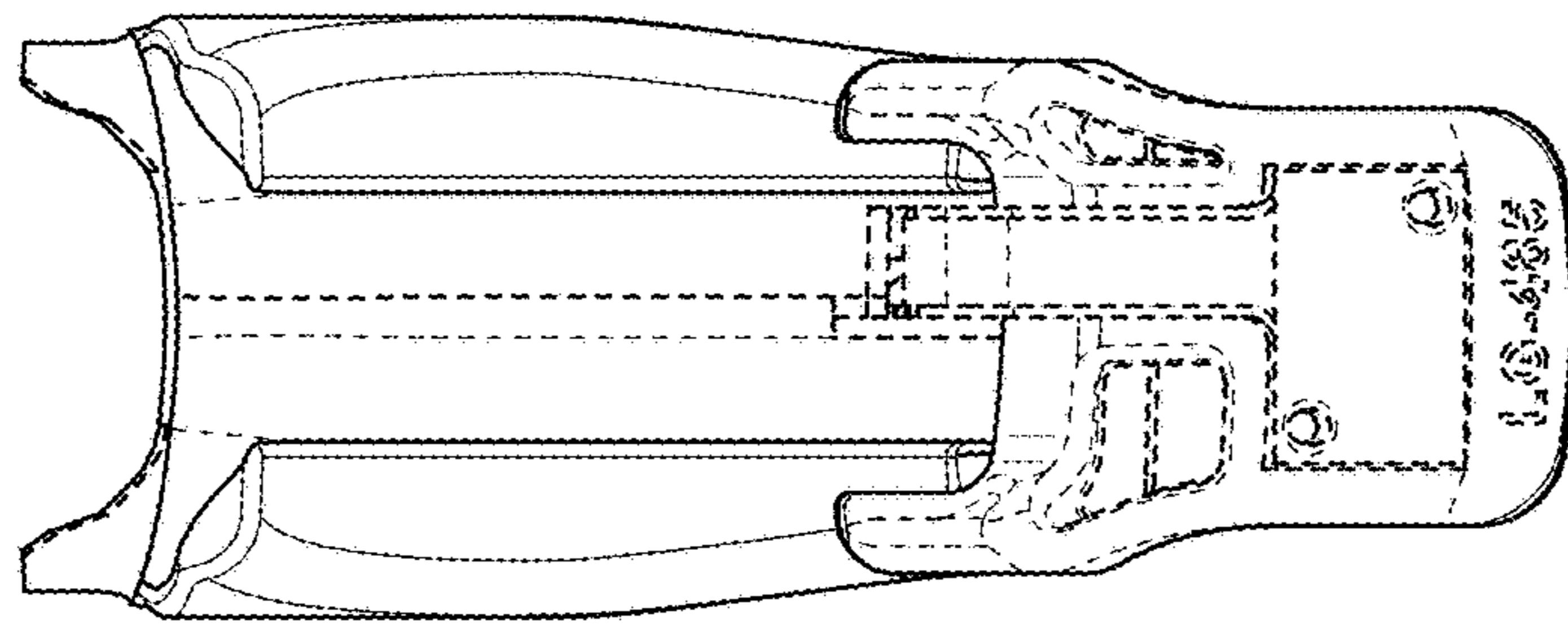


FIG. 3

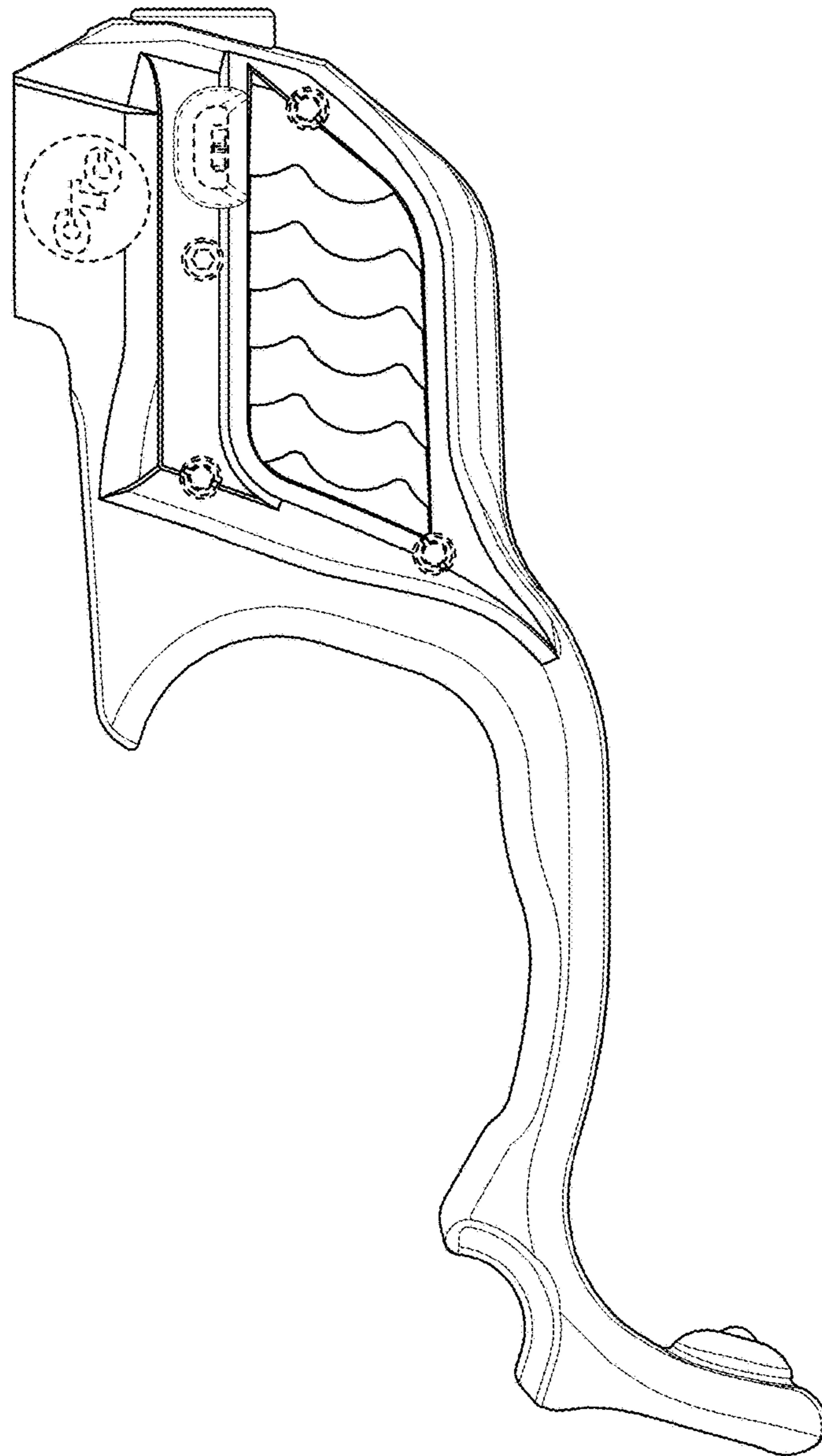


FIG. 4

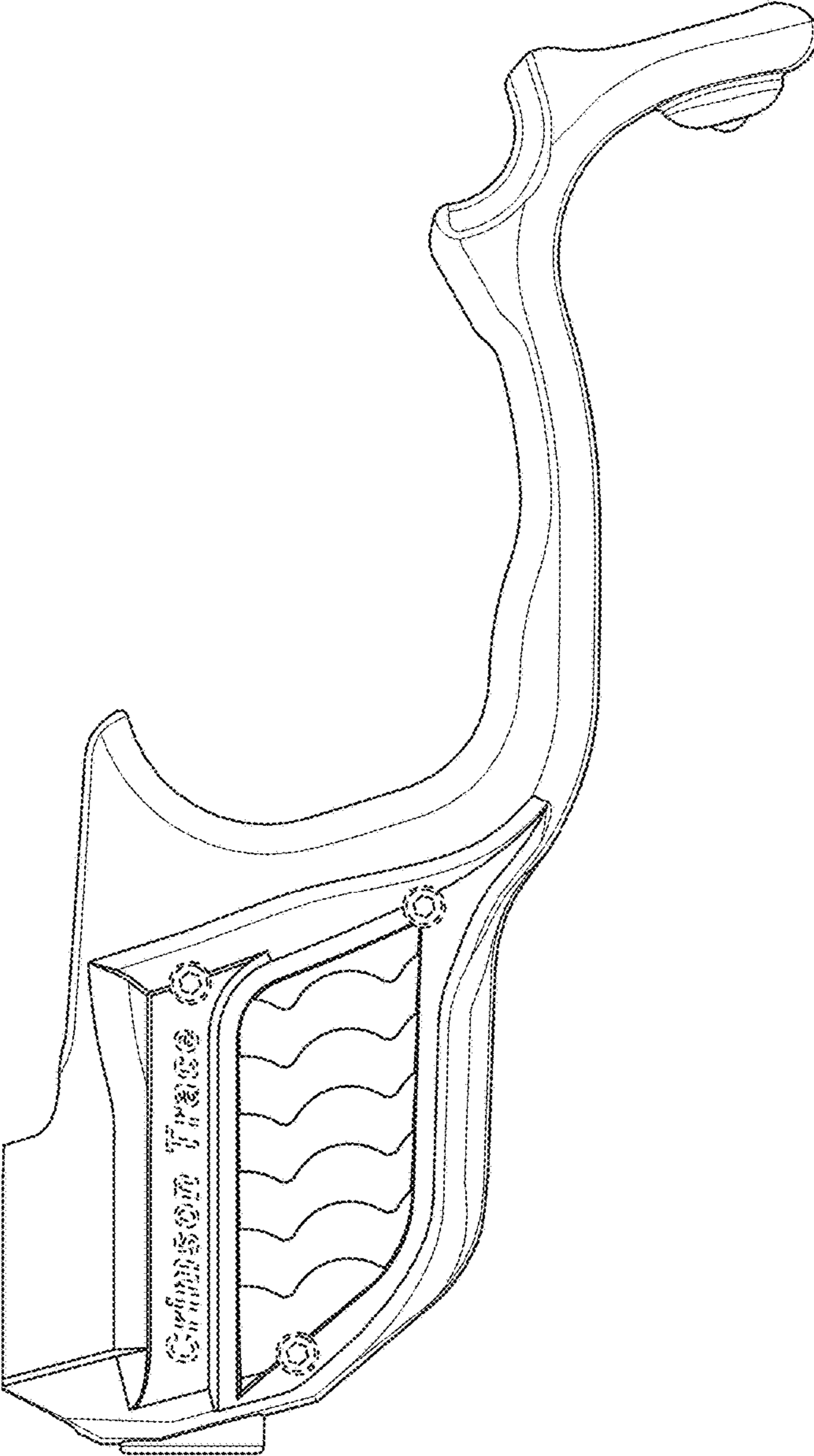


FIG. 5

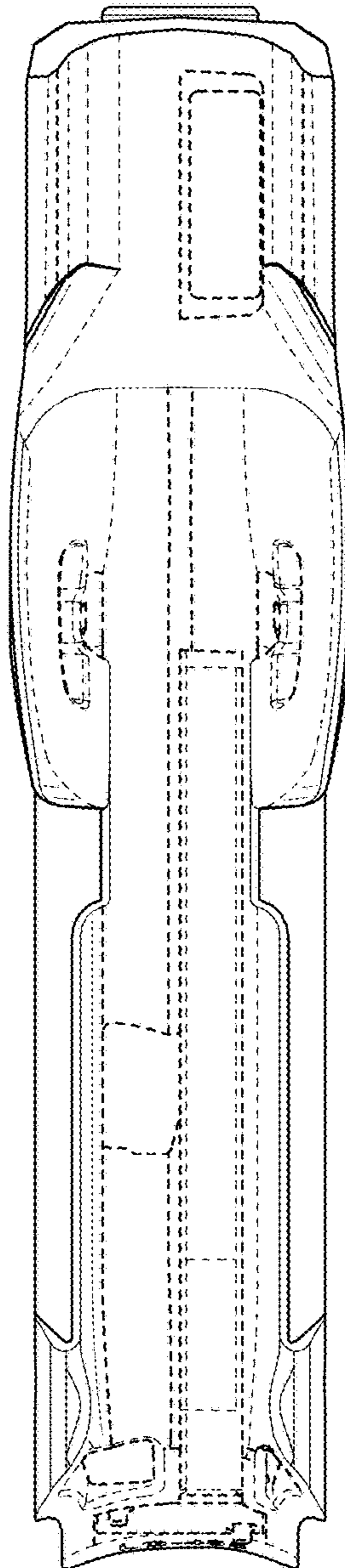


FIG. 6



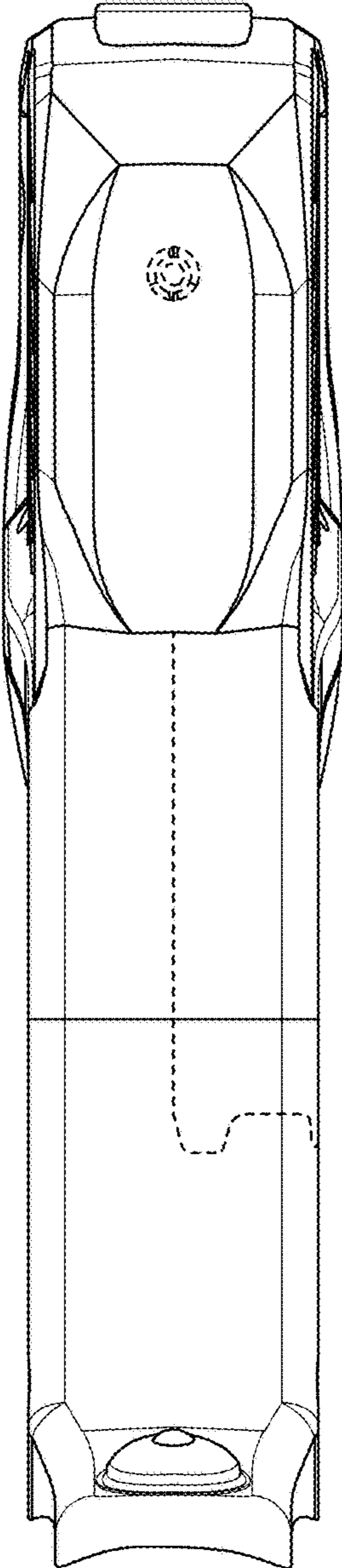


FIG. 7