

US00D837927S

(12) **United States Design Patent**
Trulsson

(10) **Patent No.:** **US D837,927 S**

(45) **Date of Patent:** **** Jan. 8, 2019**

(54) **SIGHT**

(71) Applicant: **Aimpoint AB**, Malmö (SE)

(72) Inventor: **Håkan Trulsson**, Vellinge (SE)

(73) Assignee: **AIMPOINT AB**, Malmo (SE)

(**) Term: **15 Years**

(21) Appl. No.: **29/585,247**

(22) Filed: **Nov. 22, 2016**

(30) **Foreign Application Priority Data**

May 27, 2016 (EM) 003157155-0001

(51) **LOC (11) Cl.** **22-01**

(52) **U.S. Cl.**
USPC **D22/109**

(58) **Field of Classification Search**
USPC D22/108-111; D16/132, 134, 330, 205,
D16/200, 202, 203, 218, 219, 221, 222,
D16/230; 42/85, 111, 113-114, 117-119,
42/122-123, 129, 130-133, 135-136,
42/140-146; D26/49; 348/143, 373-376;
396/427, 535-541
CPC . F41G 11/003; F41G 1/00; F41G 1/16; F41G
1/345

See application file for complete search history.

(56) **References Cited**

U.S. PATENT DOCUMENTS

4,940,324 A * 7/1990 Nichols F41G 1/30
356/247
D378,936 S * 4/1997 DePaoli D22/109
6,490,060 B1 * 12/2002 Tai G02B 5/32
33/333
7,225,576 B2 * 6/2007 Ballard F41G 1/01
356/255

D612,006 S * 3/2010 Kohler D22/109
8,082,688 B2 * 12/2011 Elpedes F41G 1/14
42/131
D662,566 S * 6/2012 Estes D22/109
D676,096 S * 2/2013 Gambino D22/109
D704,296 S * 5/2014 Cheng D22/109
D707,743 S * 6/2014 Nakashima D16/202
D720,034 S * 12/2014 Cheng D22/109

(Continued)

OTHER PUBLICATIONS

Breaking: New Aimpoint Nano Mini Red Dot Sight, TheFirearmBlog.com, Posted Jun. 28, 2016 by Patrick R., [online], [site visited Jan. 5, 2018]. <URL: <http://www.thefirearmblog.com/blog/2016/06/28/breaking-new-aimpoint-nano-mini-red-dot-sight/>> (Year: 2016).*

(Continued)

Primary Examiner — T Chase Nelson

Assistant Examiner — Jonathan J. Han

(74) *Attorney, Agent, or Firm* — Thomas|Horstemeyer, LLP

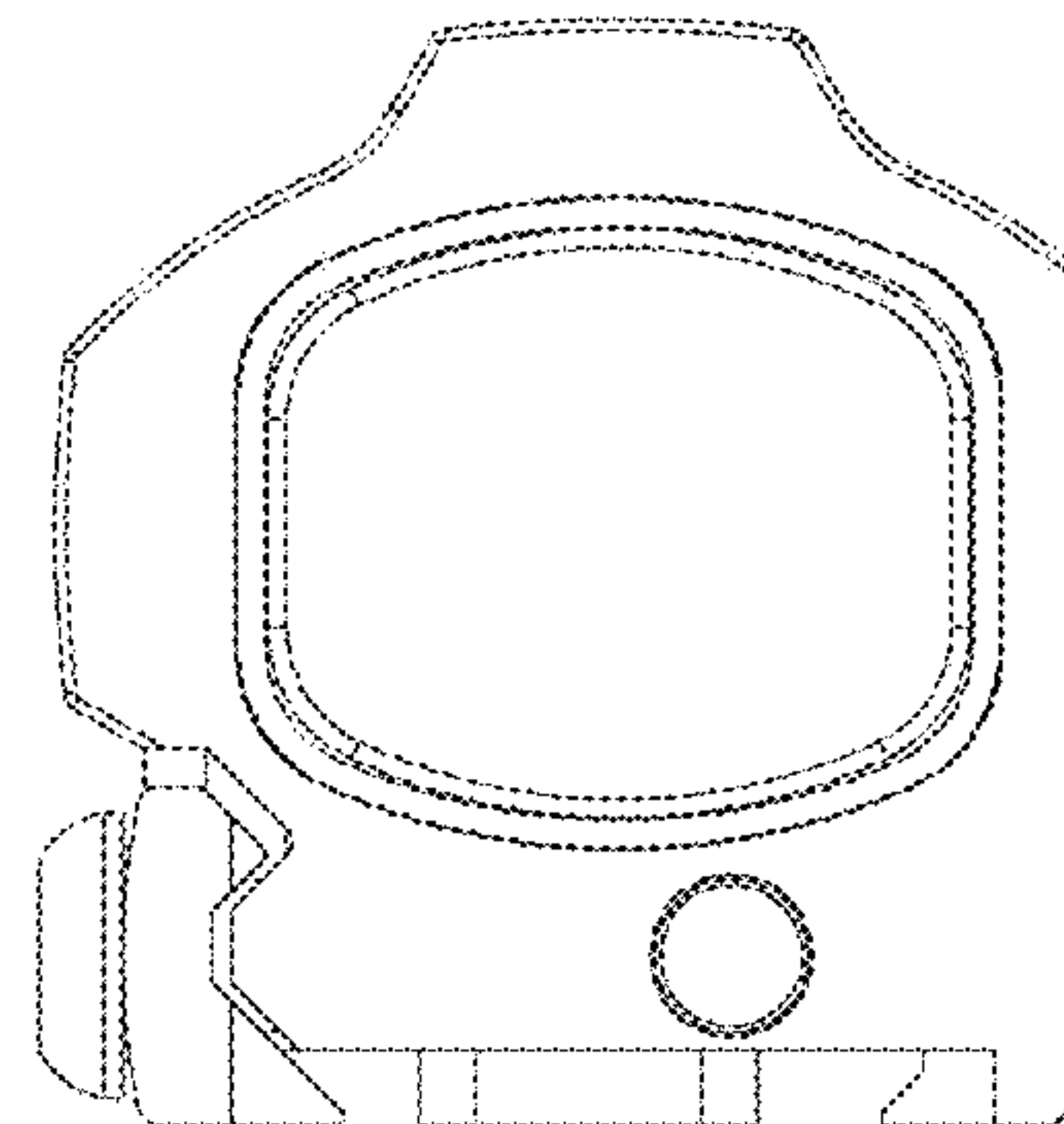
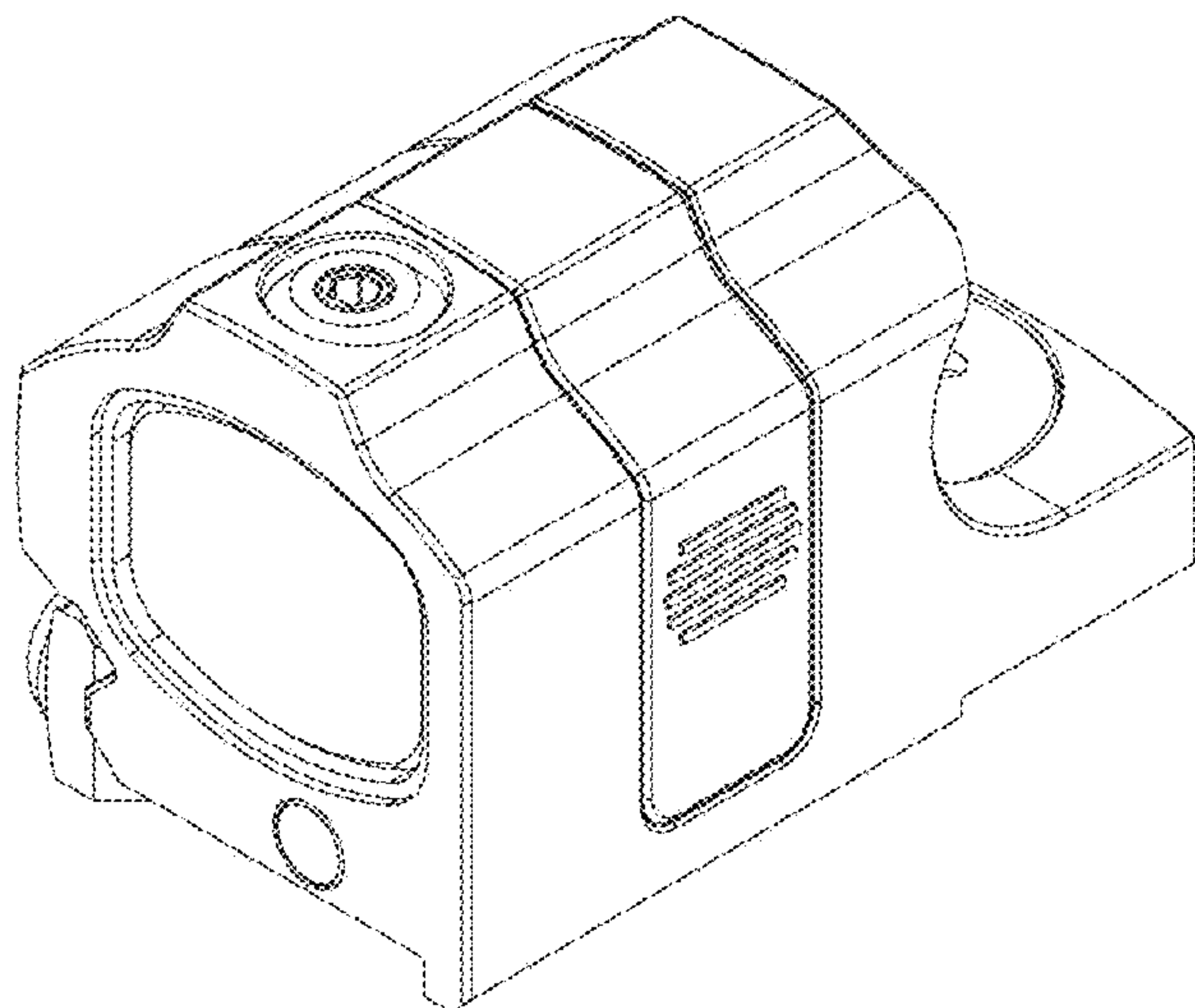
(57) **CLAIM**

The ornamental design for a sight, as shown and described.

DESCRIPTION

FIG. 1 is a perspective view of a sight showing my new design;
FIG. 2 is a front view thereof;
FIG. 3 is a back view thereof, from an end opposite that of FIG. 2;
FIG. 4 is a right side view thereof;
FIG. 5 is a left side view thereof, from a side opposite that of FIG. 4;
FIG. 6 is a top plan view thereof; and,
FIG. 7 is a bottom plan view thereof.
The broken lines shown in the drawings illustrate portions of the sight that form no part of the claimed design.

1 Claim, 7 Drawing Sheets



(56)

References Cited

U.S. PATENT DOCUMENTS

8,984,795 B2 * 3/2015 Jung F41G 1/30
42/113
D730,477 S * 5/2015 Huynh D22/109
9,065,995 B2 * 6/2015 Hirakawa H04N 5/2254
D742,992 S * 11/2015 Arnedo Vera D22/109
D747,431 S * 1/2016 Cheng D22/109
9,316,460 B2 * 4/2016 Cheng F41G 1/345
9,423,212 B2 * 8/2016 Campean F41G 1/18
9,500,442 B2 * 11/2016 Collin G03H 1/0005
9,506,726 B2 * 11/2016 Wolf F41G 1/26
RE46,226 E * 12/2016 Gambino D22/109
D784,480 S * 4/2017 Oz D22/109
9,752,853 B2 * 9/2017 Teetzel F41G 1/35
9,835,412 B1 * 12/2017 Finnegan F41G 1/30
2008/0216379 A1 * 9/2008 Javorsky F41G 1/12
42/115
2014/0096431 A1 * 4/2014 Tang F41G 1/30
42/132
2014/0109456 A1 * 4/2014 Jung F41G 1/30
42/113
2015/0198415 A1 * 7/2015 Campean F41G 1/18
42/137

2016/0102943 A1 * 4/2016 Teetzel F41G 1/35
42/113
2017/0205194 A1 * 7/2017 Teetzel F41G 1/30
2017/0341257 A1 * 11/2017 Teetzel B27B 7/00

OTHER PUBLICATIONS

The B&T USW—Universal Service Weapon and Aimpoint Nano in detail (many pictures), TheFirearmBlog.com, Posted Jan. 31, 2017 by Eric B., [online], [site visited Jan. 5, 2018]. <URL: <http://www.thefirearmblog.com/blog/2017/01/31/bt-usw-universal-service-weapon-aimpoint-nano-detail-many-pictures/>> (Year: 2017).*

Cvlife Red & Green Dot Sight 4 Reticles Reflex Sight, Amazon.com, [online], [site visited Jan. 5, 2018]. <URL: https://www.google.com/searchq=reflex+sight&source=lnms&tbm=isch&sa=X&ved=0ahUKEwj7YrDI8LYAhXIYt8KHbtyDLsQ_AUICygC&biw=1884&bih=892> (Year: 2018).*

Aimpoint's Nano Sight Available as Component of B&T's Universal Service Weapon, SoldierSystems.net, Posted Wednesday, Mar. 1, 2017 at 16:00, [online], [site visited Jan. 5, 2018]. <URL: <http://soldiersystems.net/2017/03/01/aimpoints-nano-sight-available-component-bts-universal-service-weapon/>> (Year: 2017).*

* cited by examiner

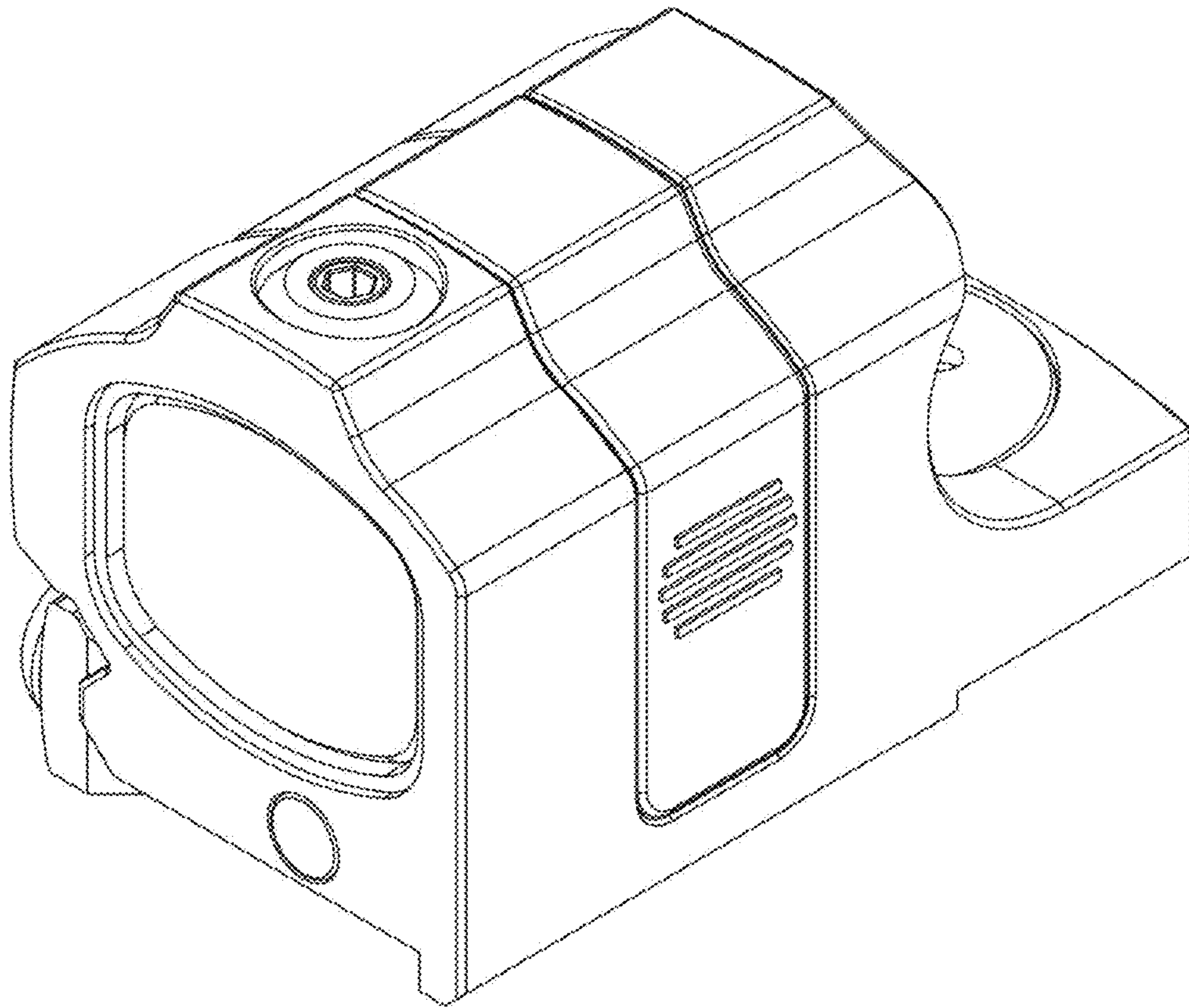


FIG. 1

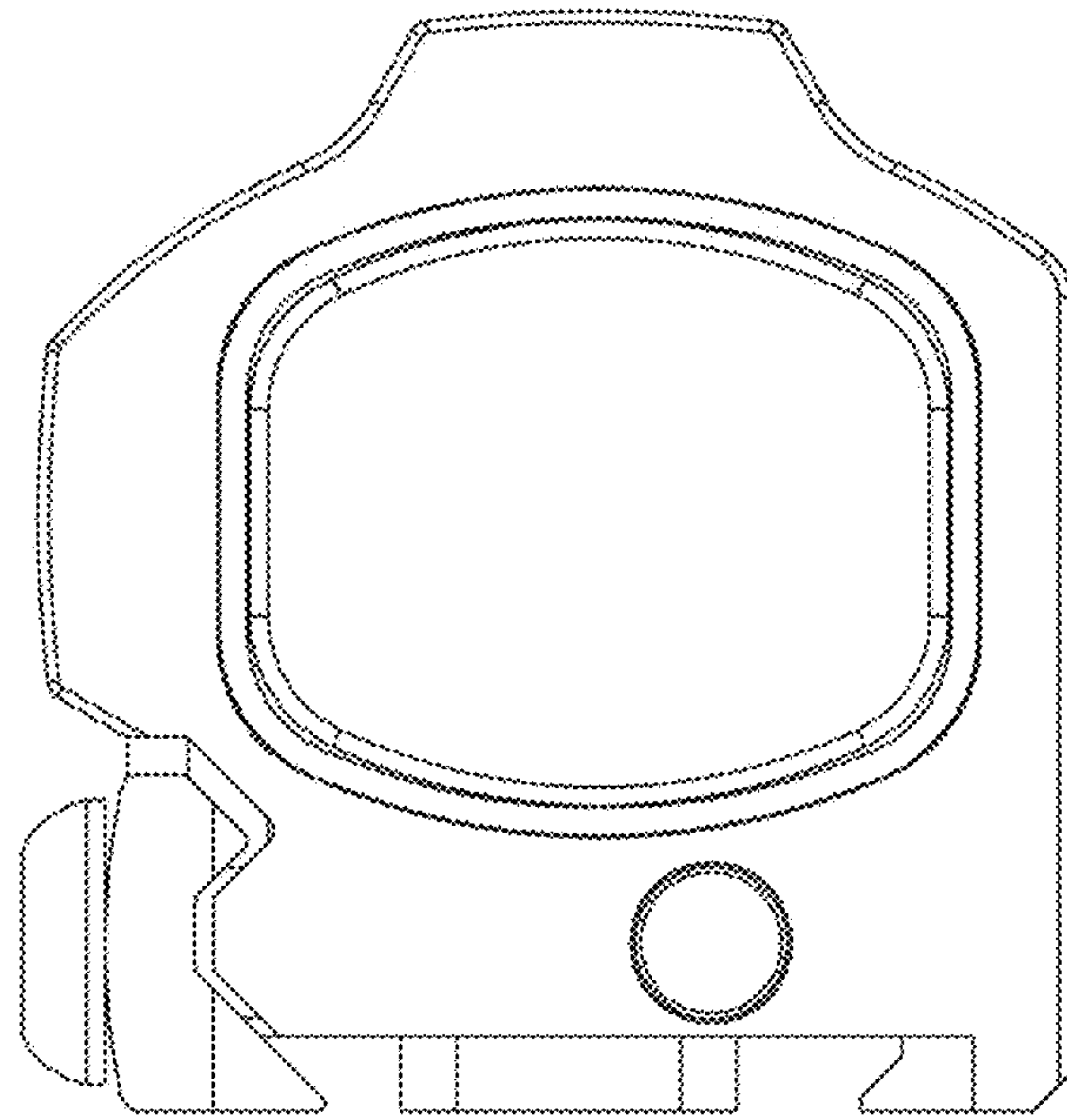


FIG. 2

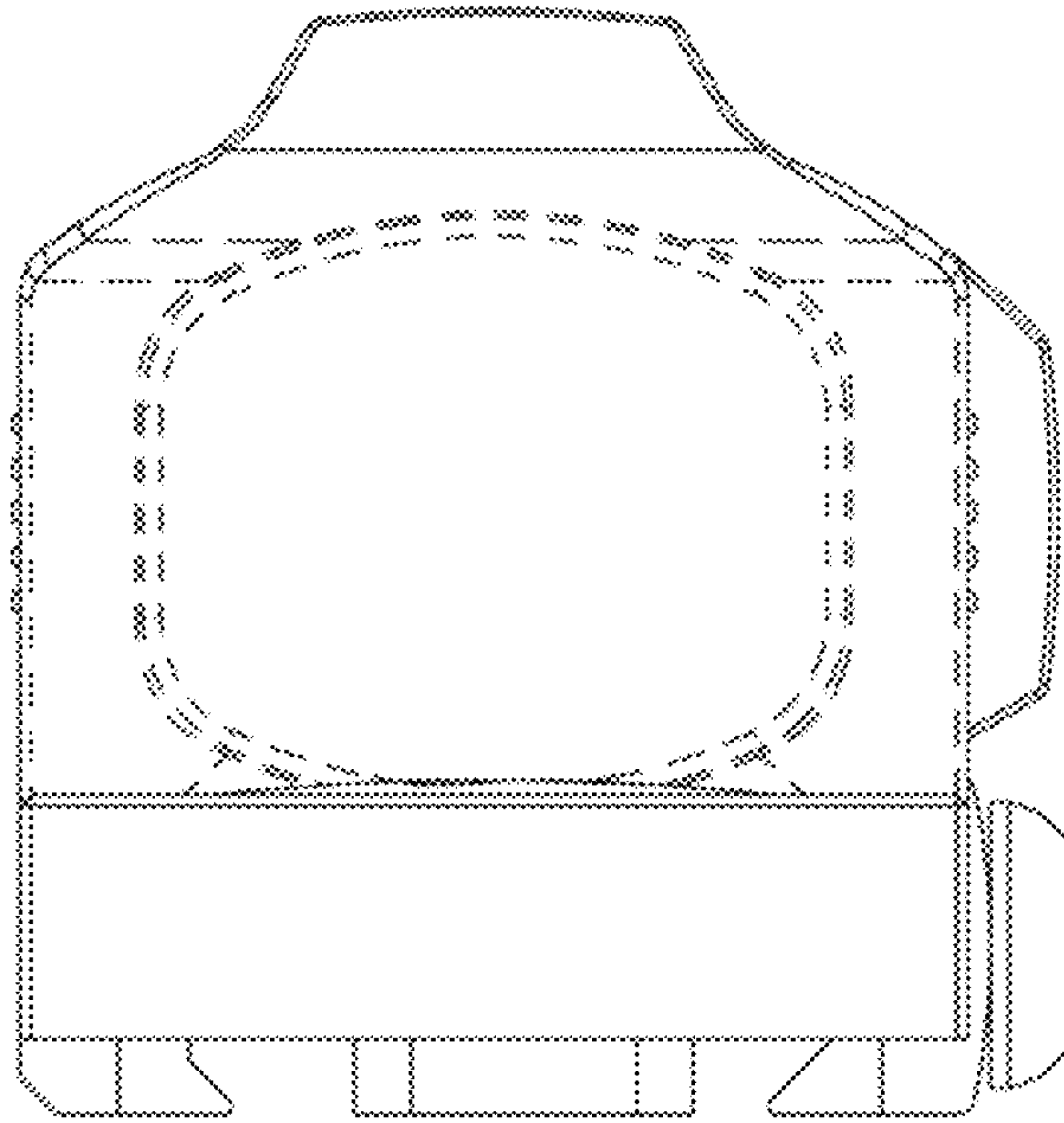


FIG. 3

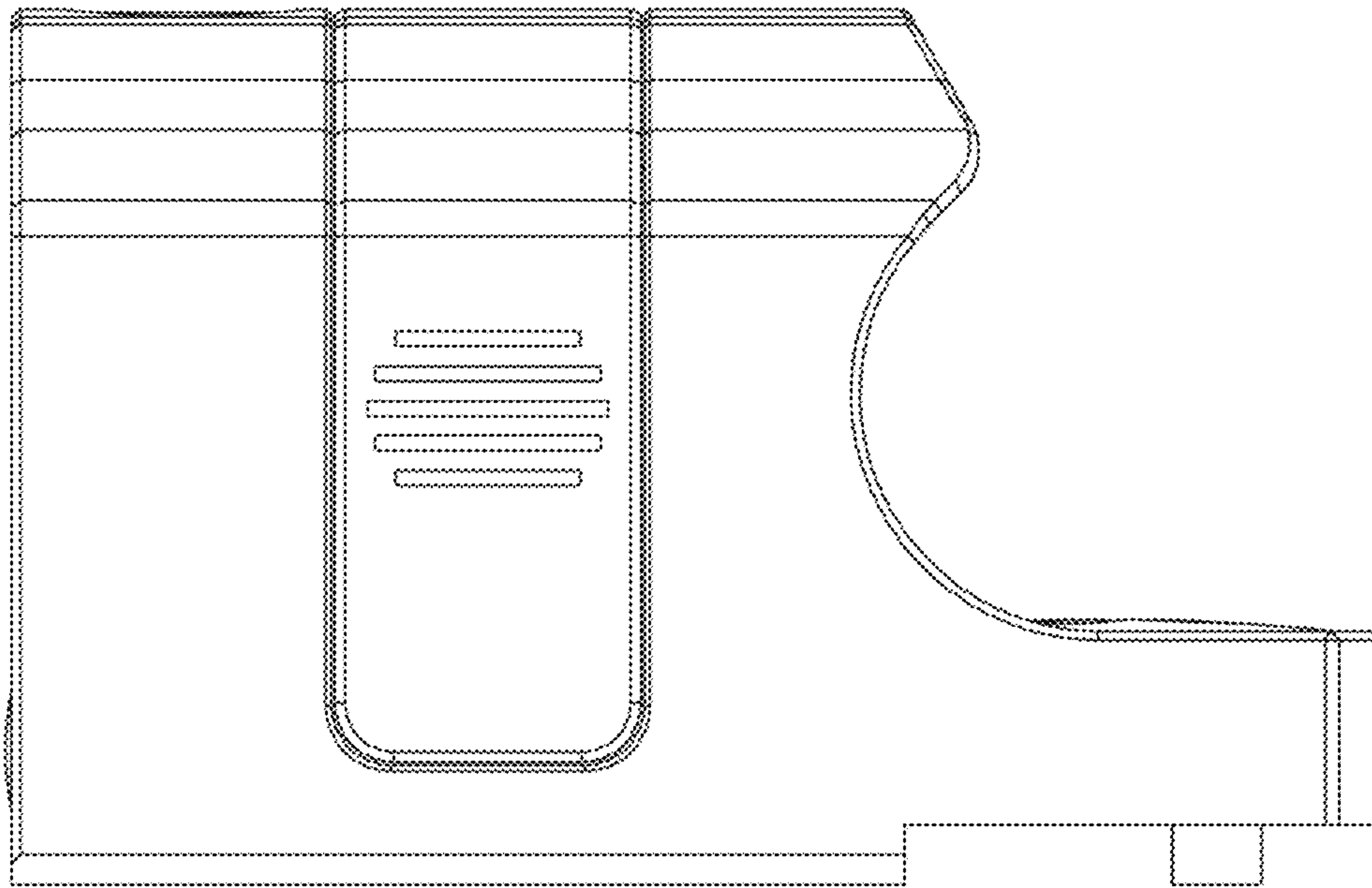


FIG. 4

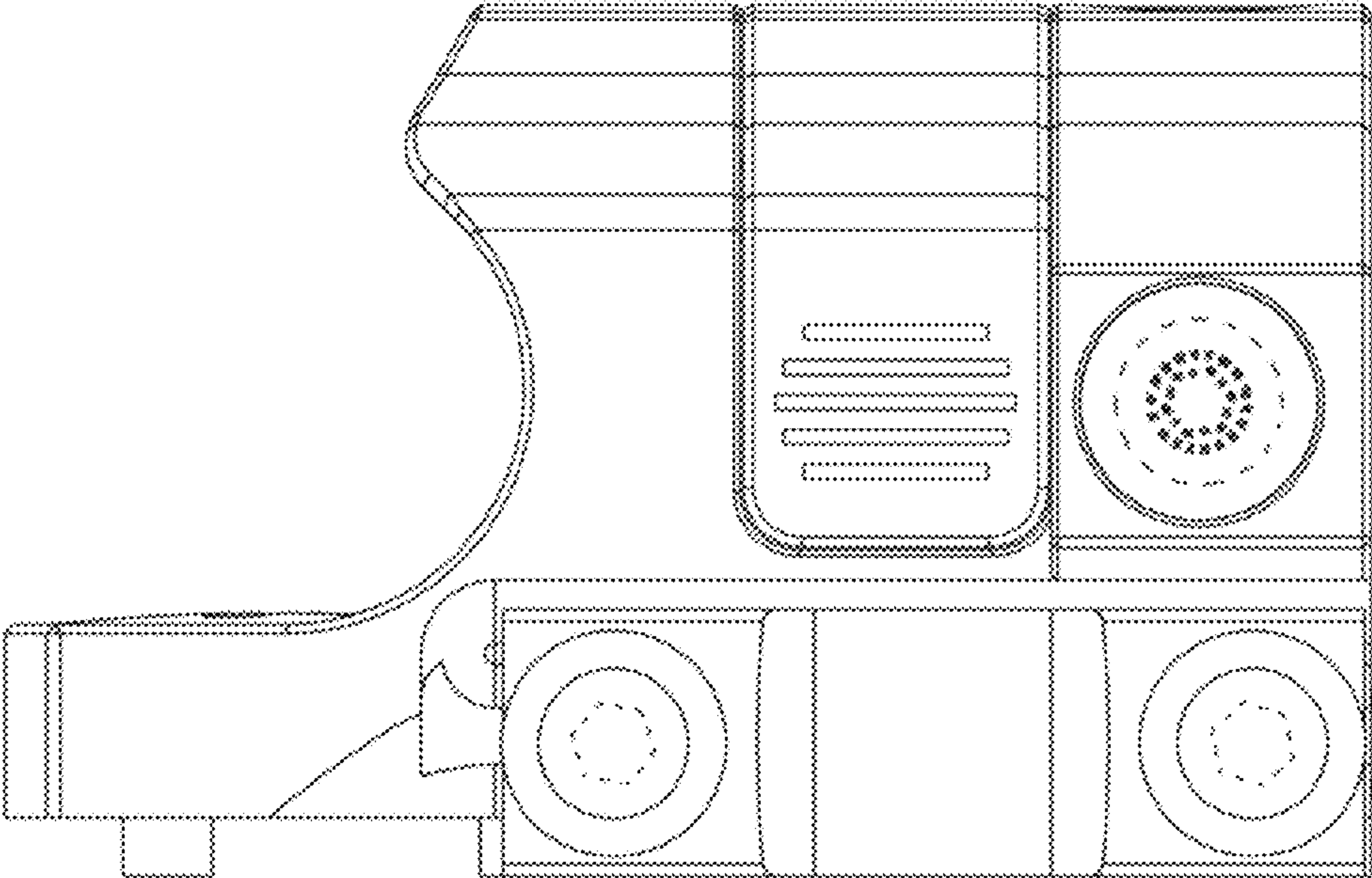


FIG. 5

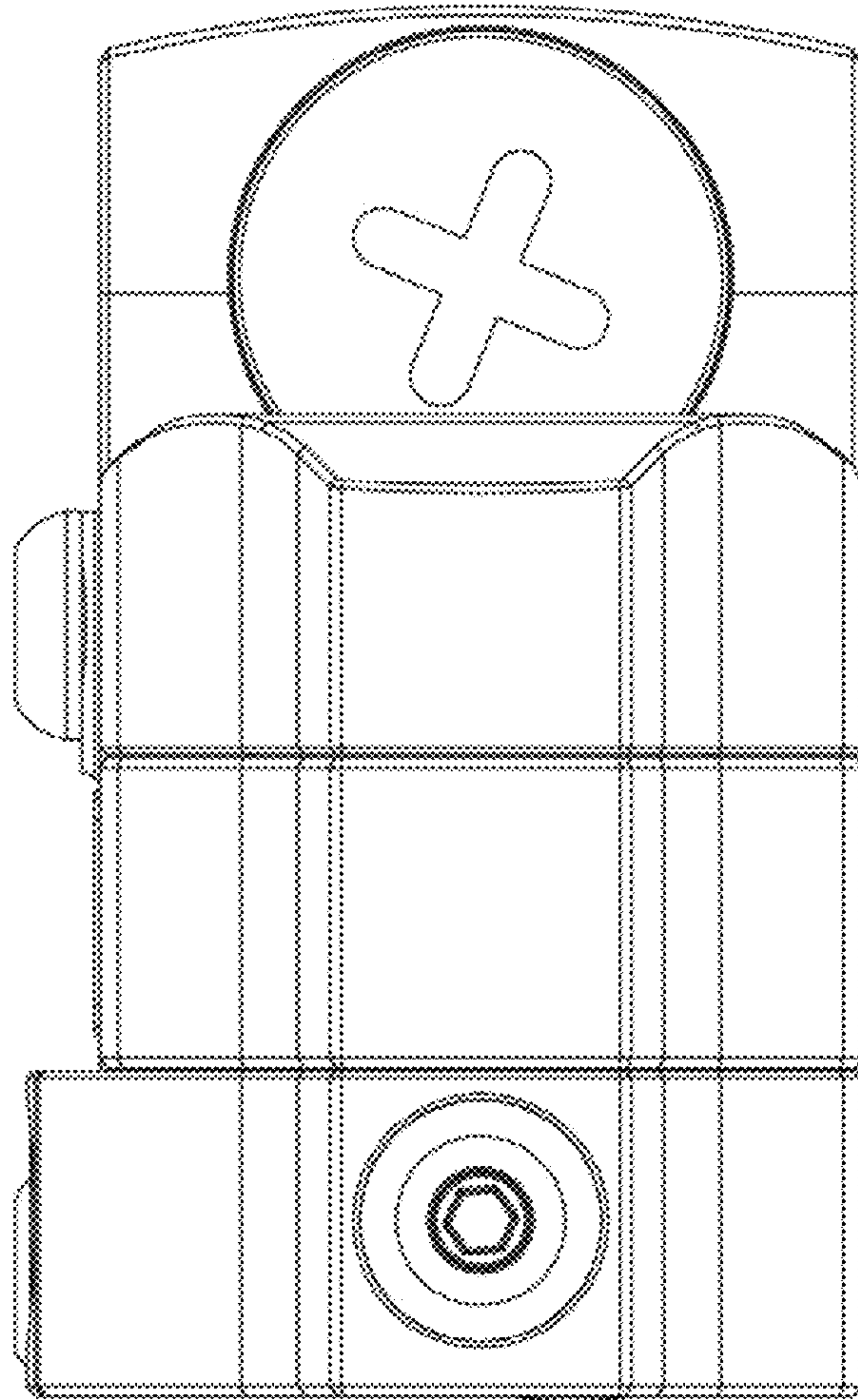


FIG. 6

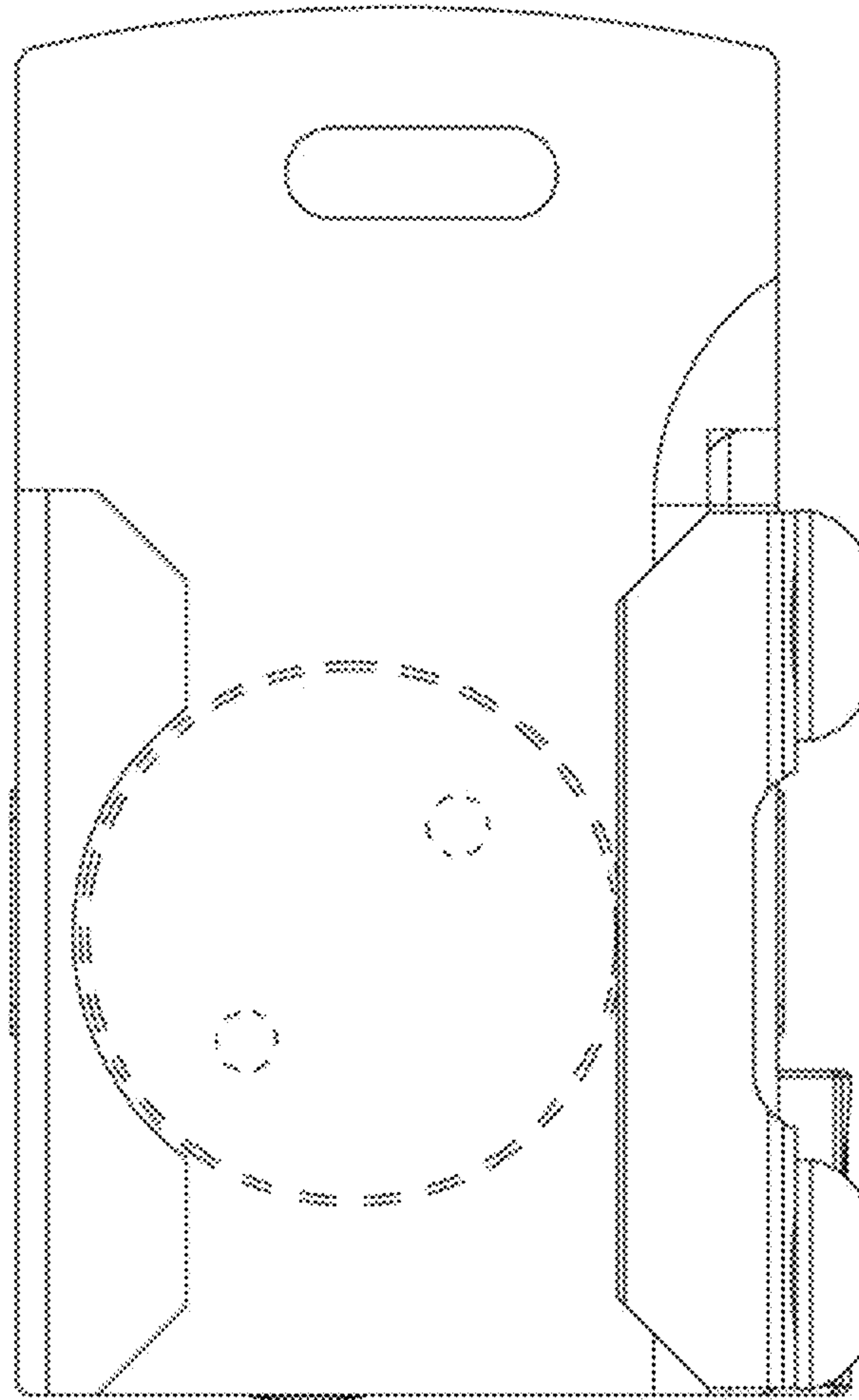


FIG. 7