



US00D837926S

(12) **United States Design Patent**  
**Christian**

(10) **Patent No.:** **US D837,926 S**  
(45) **Date of Patent:** **\*\* Jan. 8, 2019**

- (54) **FIREARM GRIP**
- (71) Applicant: **Uber, Inc.**, Plano, TX (US)
- (72) Inventor: **David Christian**, Plano, TX (US)
- (73) Assignee: **Uber, Inc.**, Plano, TX (US)
- (\*\*) Term: **15 Years**
- (21) Appl. No.: **29/597,943**
- (22) Filed: **Mar. 21, 2017**
- (51) **LOC (11) Cl.** ..... **22-01**
- (52) **U.S. Cl.**  
USPC ..... **D22/108**
- (58) **Field of Classification Search**  
USPC ..... D22/100, 103, 108–109; D21/572–575;  
D8/68; 359/399, 823, 744;  
362/109–114; 42/90, 94, 104, 105,  
42/111–114, 116, 117, 120, 124–126,  
42/127–129, 131, 141–148, 133–140;  
33/227, 229  
CPC . F41G 1/35; F41G 11/003; F41G 1/00; F41G  
1/36; F41G 1/34; F41G 3/26; F41C  
23/10; F41C 23/18; F41C 23/14; F41C  
23/16  
See application file for complete search history.

(56) **References Cited**

**U.S. PATENT DOCUMENTS**

- 815,609 A \* 3/1906 Martin ..... F41C 23/04  
42/72
- 1,016,695 A \* 2/1912 Kimmel ..... F41C 23/12  
42/72
- 1,477,445 A \* 12/1923 Petritsch ..... F41C 23/12  
42/72
- 1,557,865 A \* 10/1925 Neel ..... F41C 23/12  
42/72
- 1,877,016 A \* 9/1932 Munson ..... F41C 23/12  
15/104.165

- 3,162,966 A \* 12/1964 La Coss ..... F41C 23/12  
42/106
- 3,184,877 A \* 5/1965 Andrews ..... F41C 23/12  
42/72
- 3,553,878 A \* 1/1971 Canon ..... F41A 23/02  
42/72

(Continued)

**OTHER PUBLICATIONS**

RifleGear F1 AK Fixed Stock Fin Grip, RifleGear.com, [online], [site visited Jun. 7, 2018]. <URL: <https://www.riflegear.com/p-8380-riflegear-f1-ak-fixed-stock-fin-grip.aspx>> (Year: 2018).\*

(Continued)

*Primary Examiner* — T. Chase Nelson  
*Assistant Examiner* — Jonathan J. Han  
(74) *Attorney, Agent, or Firm* — Conley Rose, P.C.;  
William H. Dietrich

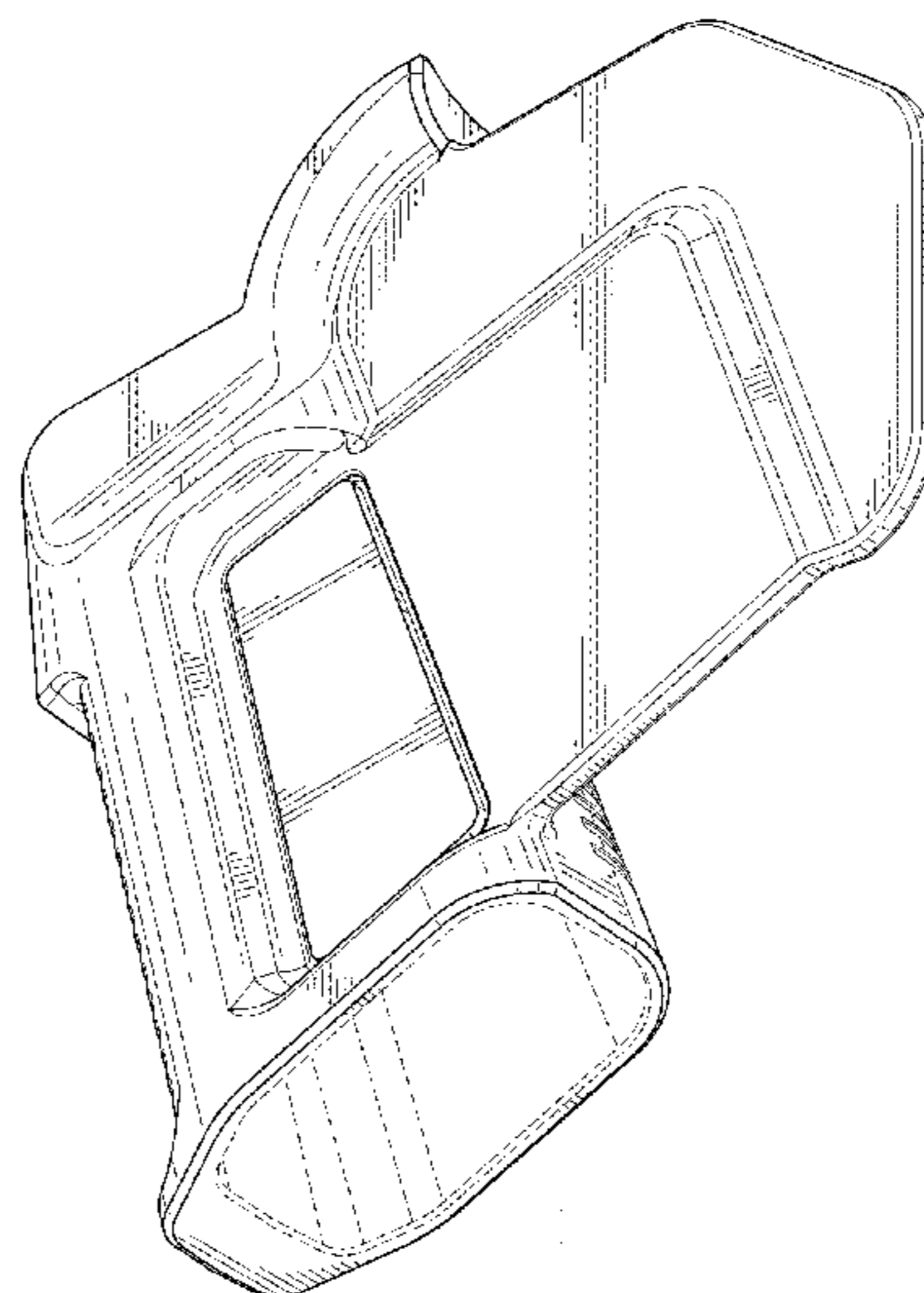
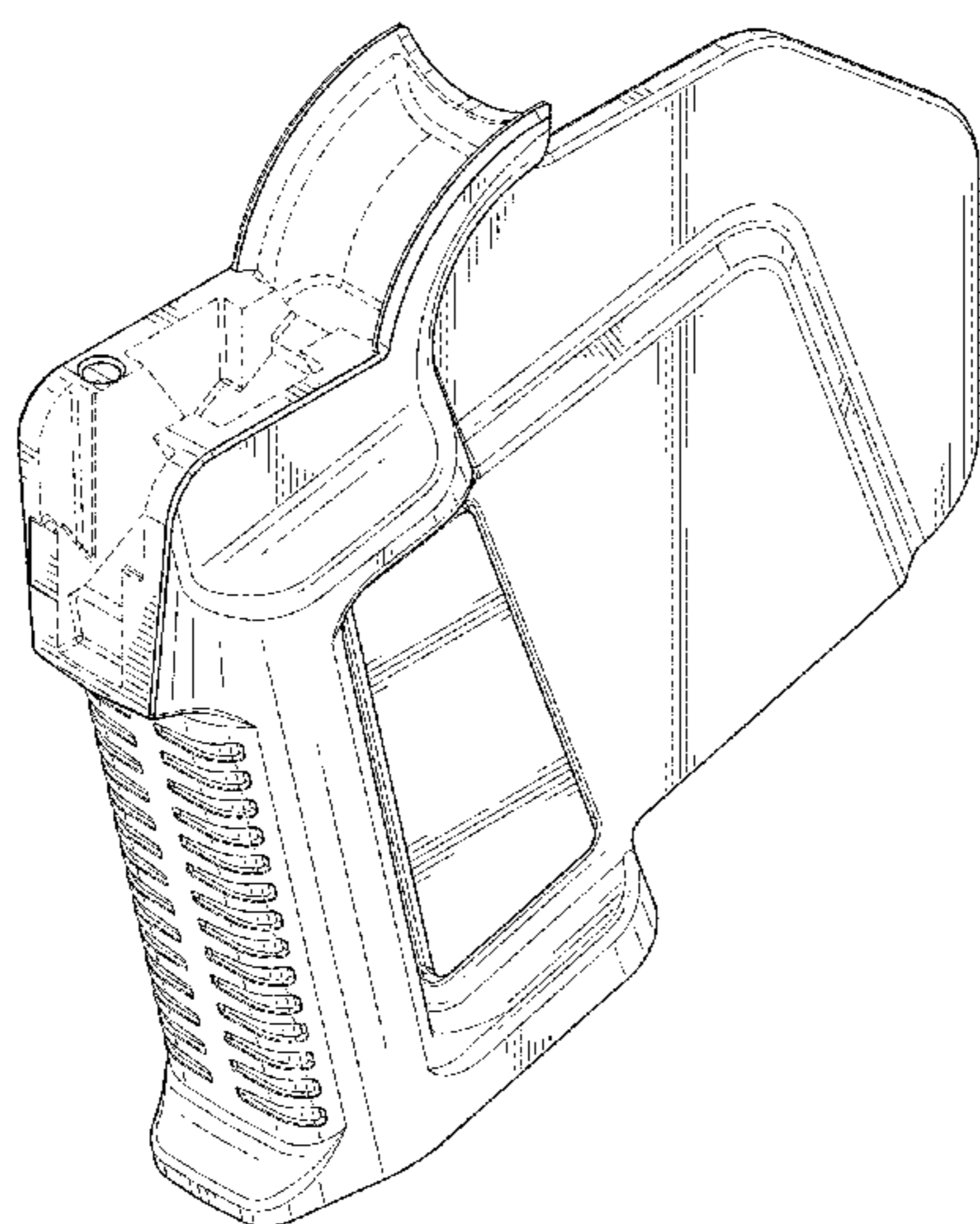
(57) **CLAIM**

I claim the ornamental design for the firearm grip, as shown and described.

**DESCRIPTION**

FIG. 1 is a front perspective view of the firearm grip; FIG. 2 is a front elevation view of the firearm grip of FIG. 1; FIG. 3 is a rear elevation view of the firearm grip of FIG. 1; FIG. 4 is a right side view of the firearm grip of FIG. 1; FIG. 5 is a left side view of the firearm grip of FIG. 1; FIG. 6 is a top view of the firearm grip of FIG. 1; FIG. 7 is a bottom view of the firearm grip of FIG. 1; and, FIG. 8 is a rear perspective view of the firearm grip of FIG. 1. The broken lines in the drawings are used to illustrate unclaimed portions of the invention and form no part of the claimed design.

**1 Claim, 6 Drawing Sheets**



(56)

References Cited

U.S. PATENT DOCUMENTS

3,609,902 A \* 10/1971 Casull ..... F41C 23/12  
42/62  
3,648,396 A \* 3/1972 Smith ..... F41C 23/12  
42/72  
3,740,886 A \* 6/1973 Canon ..... F41A 23/02  
42/72  
4,271,623 A \* 6/1981 Beretta ..... F41C 23/12  
42/71.02  
4,291,482 A \* 9/1981 Bresan ..... F41C 23/14  
42/72  
5,092,070 A \* 3/1992 Perkins ..... F41C 23/12  
42/71.02  
8,151,504 B1 \* 4/2012 Aiston ..... F41C 23/10  
42/71.01  
8,438,771 B1 \* 5/2013 Boone ..... F41C 23/14  
42/72  
D692,517 S \* 10/2013 Faifer ..... D22/108  
8,910,407 B2 \* 12/2014 Singh ..... F41C 23/12  
42/71.02  
D728,724 S \* 5/2015 Bosco ..... D22/108  
D732,135 S \* 6/2015 Webber ..... D22/108  
D735,832 S \* 8/2015 Fitzpatrick ..... D22/108  
D742,986 S \* 11/2015 Ward, Jr. .... D22/108  
D764,622 S \* 8/2016 Bosco ..... D22/108

D769,399 S \* 10/2016 Lam ..... D22/108  
D771,765 S \* 11/2016 Ewer ..... D22/108  
D774,618 S \* 12/2016 Bosco ..... D22/108  
9,631,893 B2 \* 4/2017 Gilmer ..... F41C 27/22  
9,651,335 B2 \* 5/2017 DenBleyker ..... F41C 23/12  
9,869,524 B2 \* 1/2018 Bubits ..... F41C 27/20  
2002/0007579 A1 \* 1/2002 Bubits ..... F41C 23/12  
42/72  
2014/0053447 A1 \* 2/2014 Singh ..... F41C 23/06  
42/71.02

OTHER PUBLICATIONS

RifleGear F1-AR Fin Grip, RifleGear.com, [online], [site visited Jun. 7, 2018]. <URL: <https://www.riflegear.com/p-8379-riflegear-f1-ar-fin-grip.aspx>> (Year: 2018).\*

Anderson CA Legal Complete AR-15 Lower with Grip Fin & Fixed Magpul MOE Stock—Featureless, PrepperGunShop.com, [online], [site visited Jun. 7, 2018]. <URL: <https://www.preppergunshop.com/anderson-ar-15-anderson-ca-legal-complete-lower-5-56mm-with-grip-fin-fixed-magpul-moe-stock-featureless/>> (Year: 2018).\*

JE Featureless Paddle Fin Grip, JE-Machine.com, [online], [site visited Jun. 7, 2018]. <URL: <https://je-machine.com/index.php/featureless-paddle-grip>> (Year: 2018).\*

\* cited by examiner

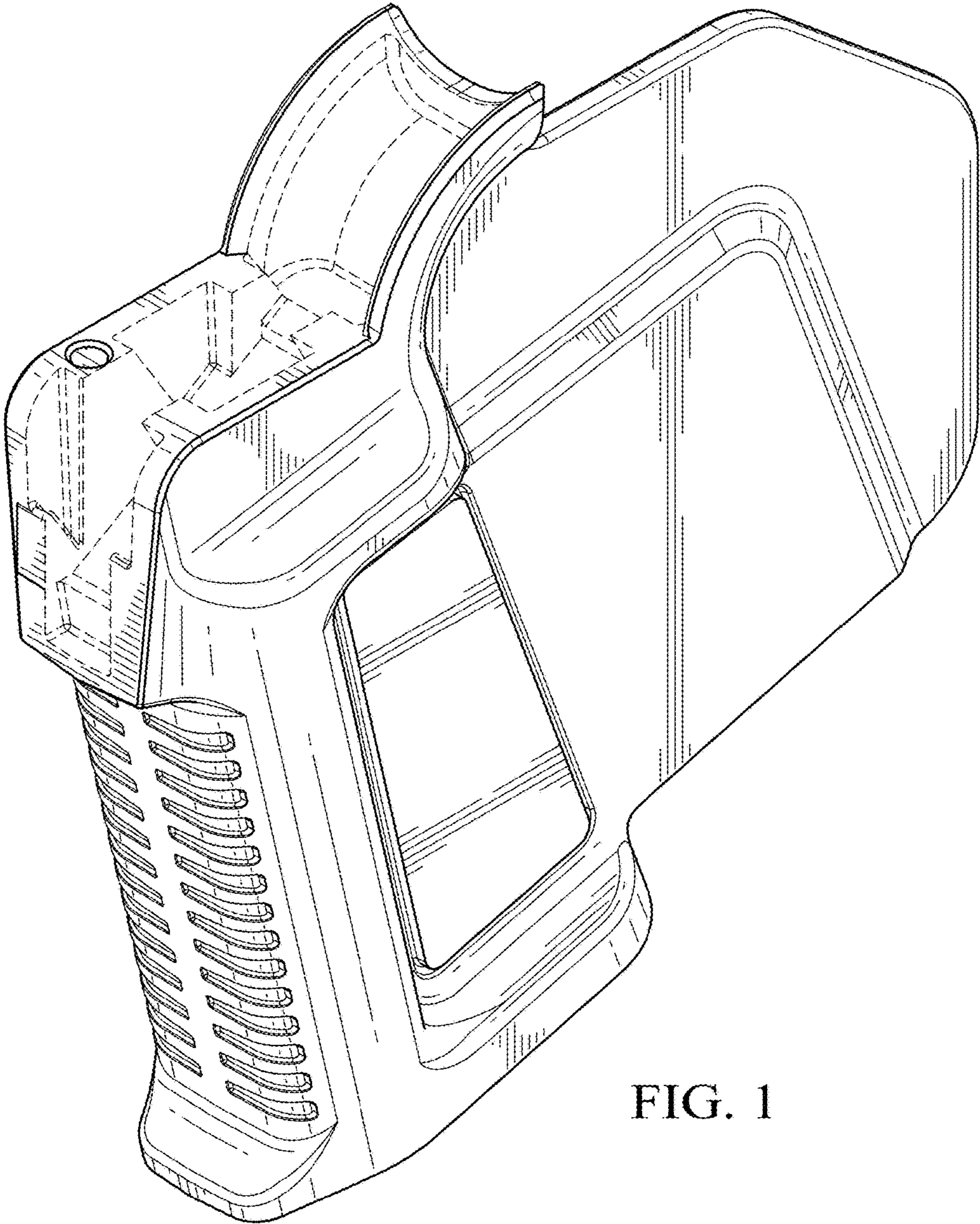


FIG. 1

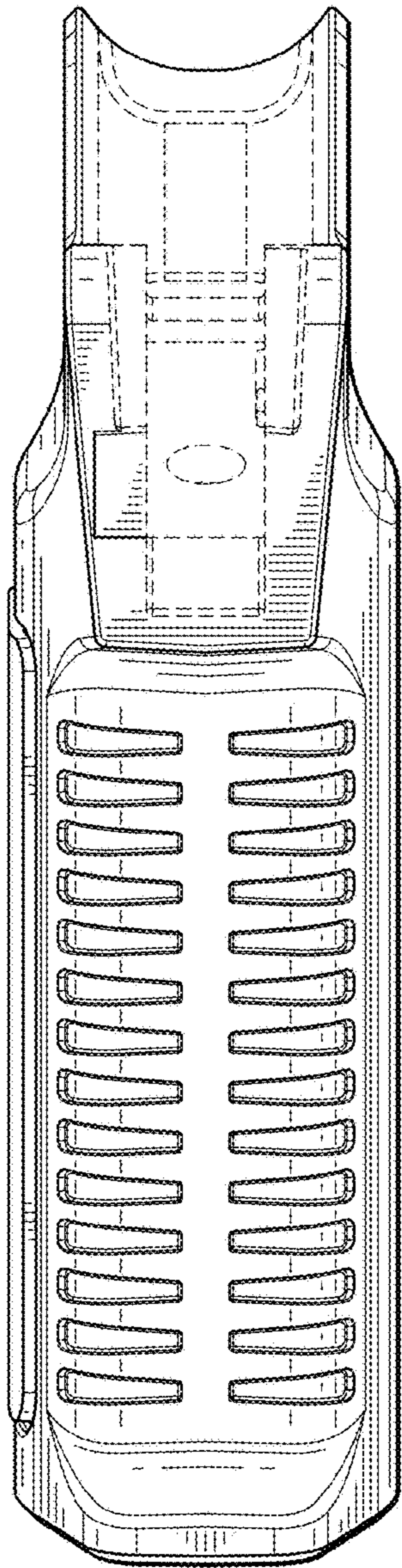


FIG. 2

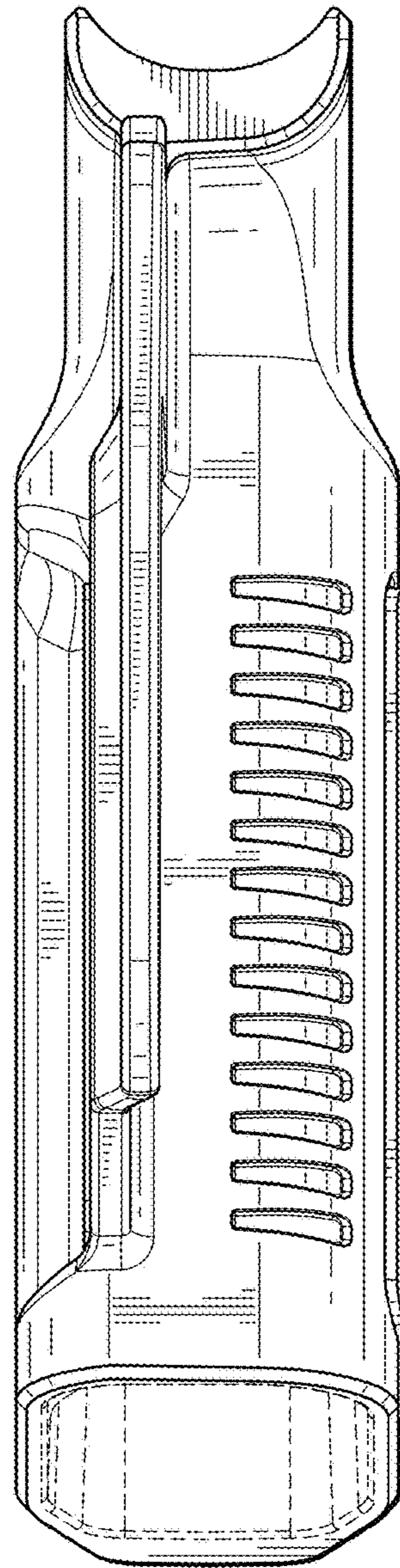


FIG. 3

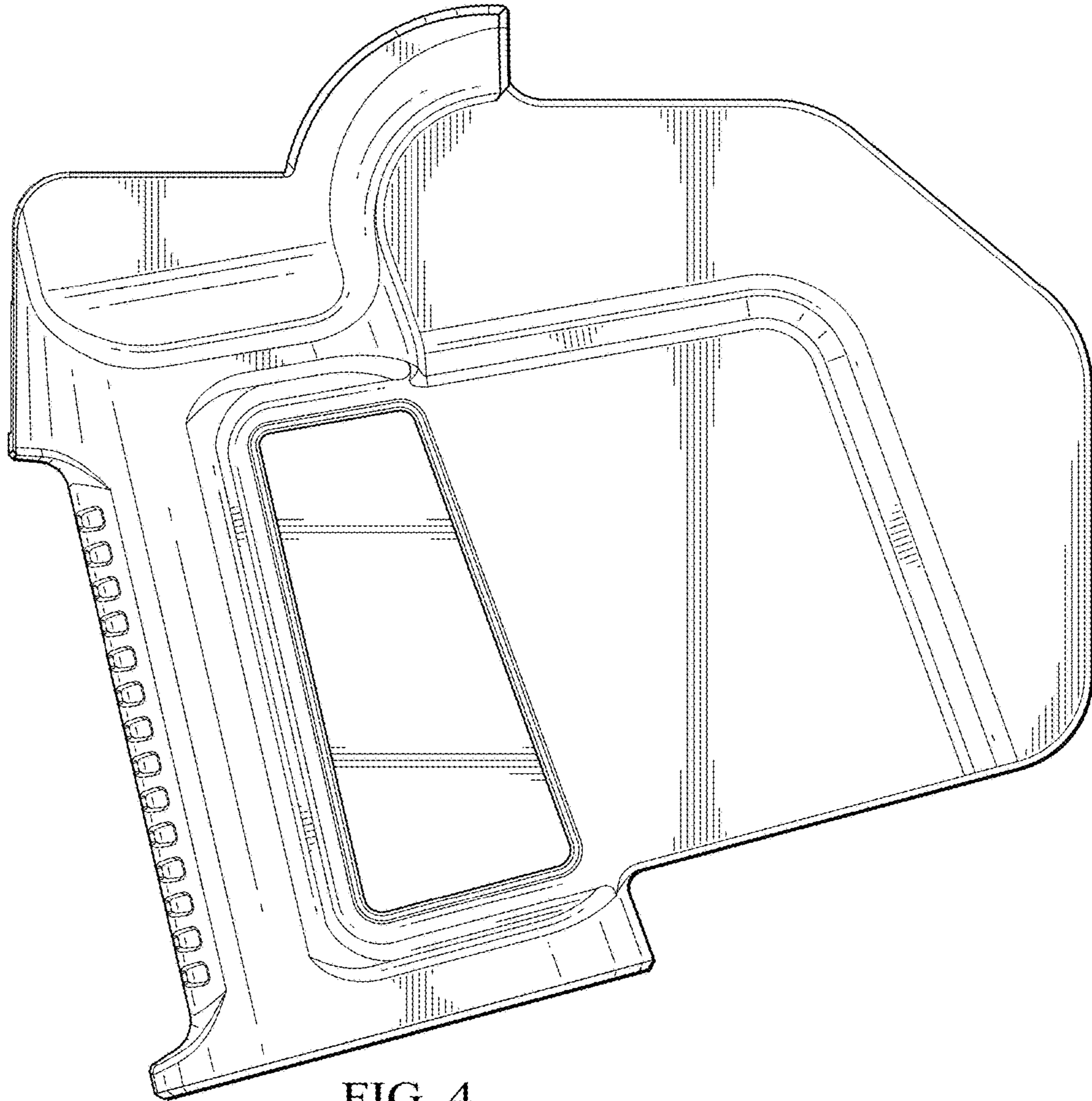


FIG. 4

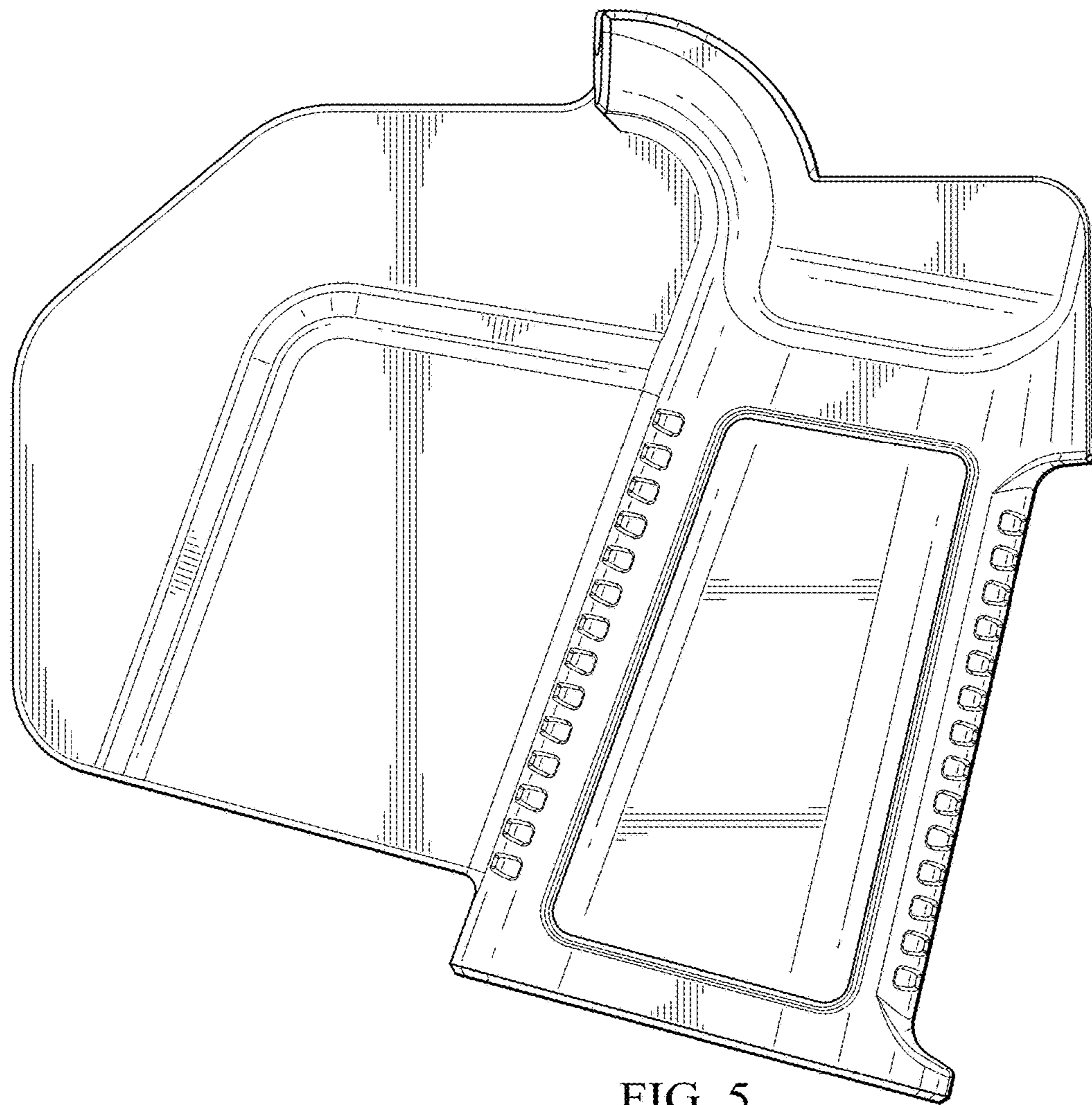


FIG. 5

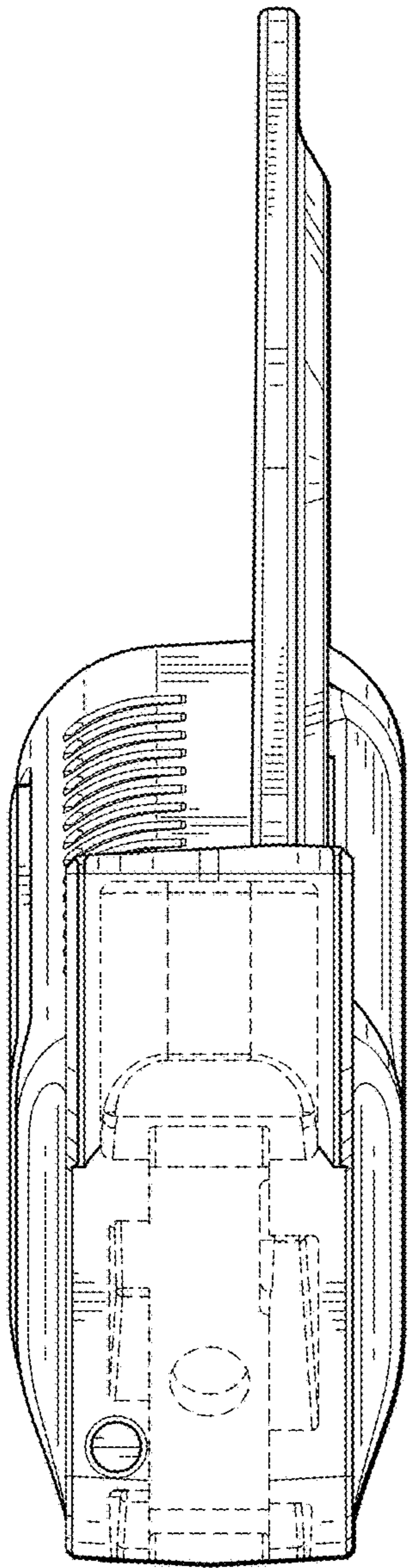


FIG. 6

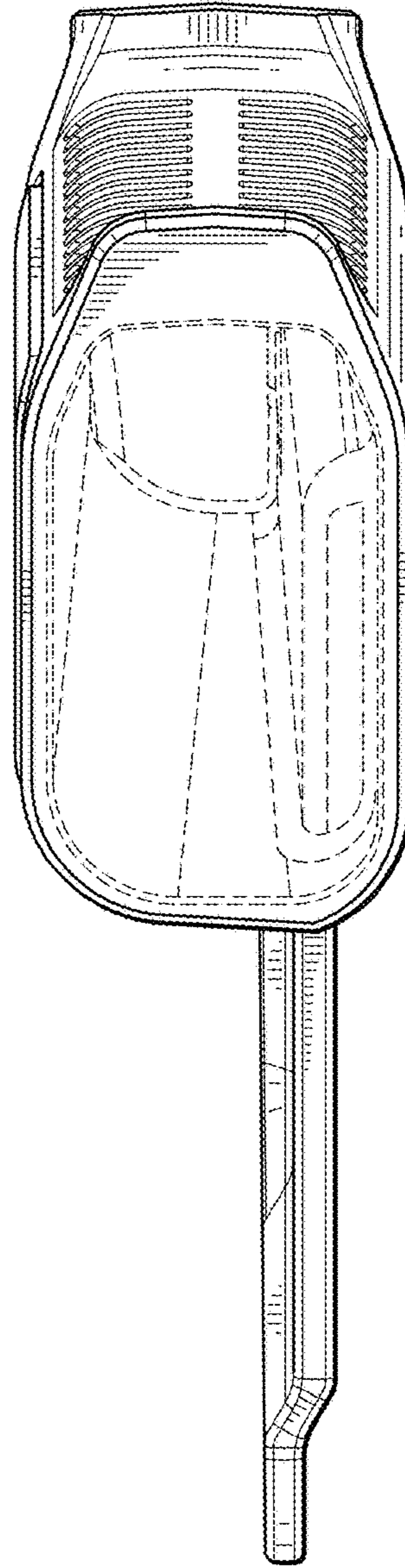


FIG. 7

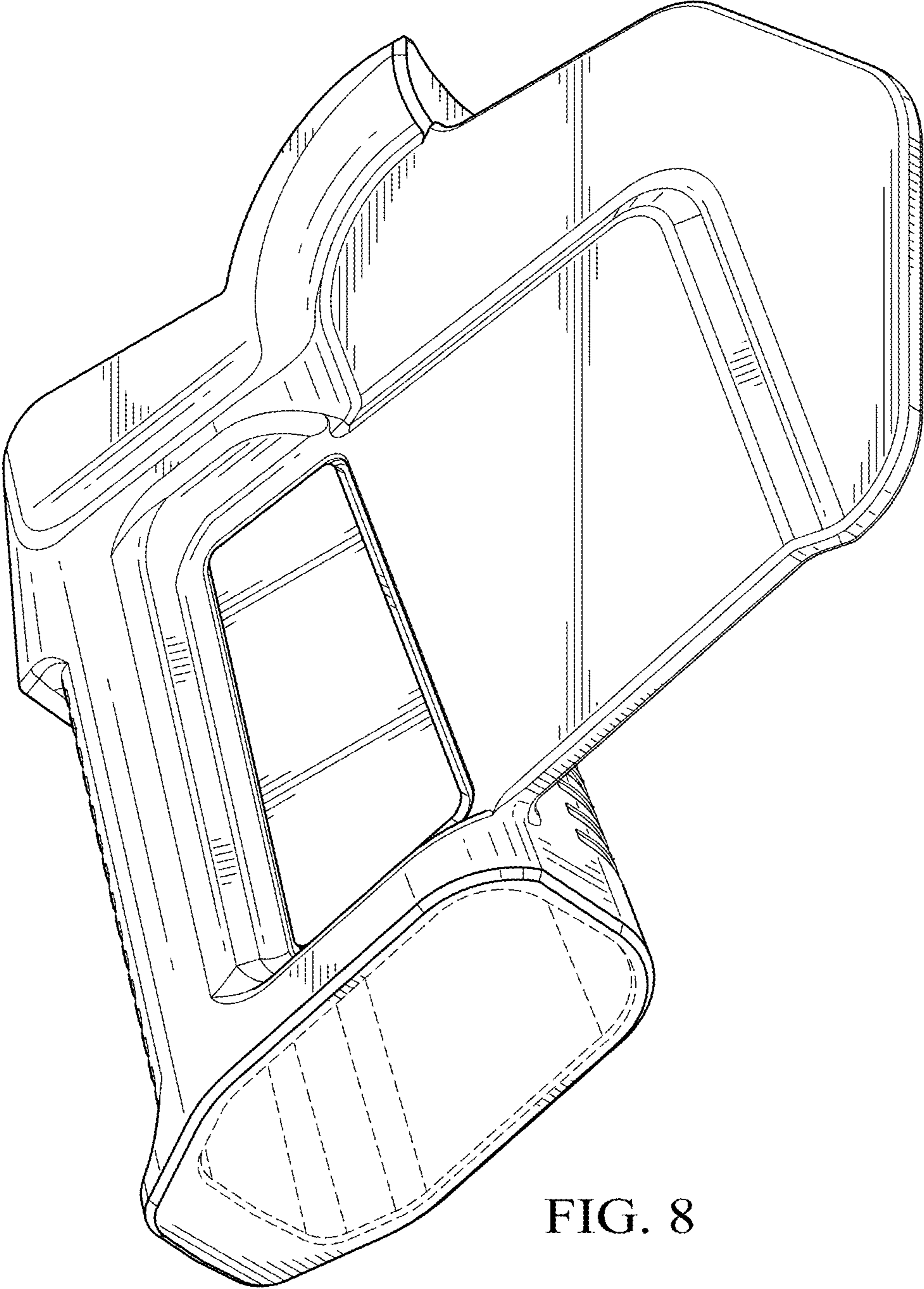


FIG. 8