



US00D837925S

(12) **United States Design Patent** (10) **Patent No.:** **US D837,925 S**
Gorsuch et al. (45) **Date of Patent:** **** Jan. 8, 2019**

(54) **SHOOTING SUPPORT STICK**

H04N 5/225; H04N 5/232; F16M 11/02;
(Continued)

(71) Applicant: **Wisconsin Archery Products LLC**,
Mukwonago, WI (US)

(56) **References Cited**

(72) Inventors: **Timothy M. Gorsuch**, Mukwonago, WI
(US); **Steven K. Hansen**, Port
Washington, WI (US)

U.S. PATENT DOCUMENTS

D373,720 S * 9/1996 Hirano D8/382
D510,253 S * 10/2005 Twomey D8/326
(Continued)

(73) Assignee: **Wisconsin Archery Products LLC**,
Mukwonago, WI (US)

OTHER PUBLICATIONS

Best Shooting Sticks for Hunting Reviews, ConsumerFiles.com,
Jan. 9, 2018, [online], [site visited Jul. 16, 2018]. <URL: https://
consumerfiles.com/best-shooting-sticks-for-hunting-reviews/> (Year:
2018).*

(**) Term: **15 Years**

(Continued)

(21) Appl. No.: **29/596,405**

(22) Filed: **Mar. 8, 2017**

Primary Examiner — T Chase Nelson
Assistant Examiner — Jonathan J. Han

(51) **LOC (11) Cl.** **22-01**

(74) *Attorney, Agent, or Firm* — Ryan Kromholz &
Manion, S.C.

(52) **U.S. Cl.**

USPC **D22/108**

(57) **CLAIM**

(58) **Field of Classification Search**

The ornamental design for a shooting support stick, as
shown and described.

USPC D22/100, 103, 108, 199; D6/368, 552,
D6/312, 701, 325; D12/223; D8/323,
D8/325, 327, 336, 349, 354–356, 373,
D8/394–395, 367, 380, 389; D14/205,
D14/217, 225, 229, 250–253;
D16/213–219, 235, 237–250, 682, 309,
D16/275, 379, 390, 430, 385, 331, 274;
D23/303; D25/1, 16; 43/1; 135/90, 117,
135/147, 901, 908; D21/834; 220/575;
206/521.15; 24/302, 16 R, 306, 17 R,
24/132 R; 439/501; 381/374; 4/236,
4/240; 248/339

DESCRIPTION

CPC F41A 23/10; F41A 23/18; F41A 17/44;
F41A 23/16; F41A 29/00; F41C 27/00;
G01P 3/00; G03B 17/02; G03B 17/03;
G03B 17/04; G03B 17/14; G03B 17/56;

FIG. 1 is a perspective view of a shooting support stick of
the present invention;
FIG. 2 is a closeup perspective view of the shooting support
stick of the present invention;
FIG. 3 is a first side view of the shooting support stick of the
present invention;
FIG. 4 is a second side view of the shooting support stick of
the present invention;
FIG. 5 is a third side view of the shooting support stick of
the present invention;
FIG. 6 is a fourth side view of the shooting support stick of
the present invention;
FIG. 7 is a top view of the shooting support stick of the
present invention; and,

(Continued)

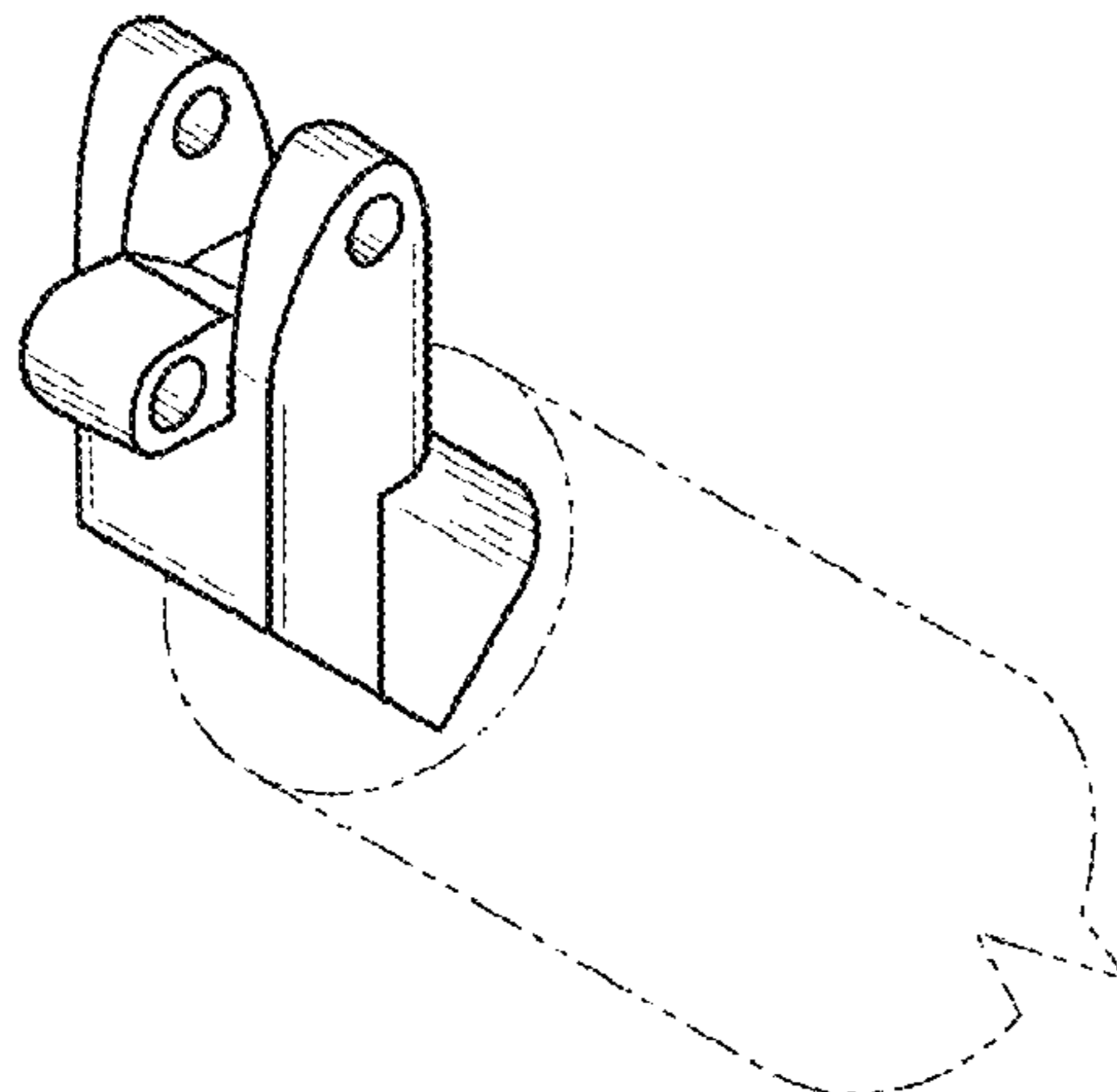


FIG. 8 is a bottom view of the shooting support stick of the present invention.

The broken lines in the drawings depict environmental structure and form no part of the claimed design.

1 Claim, 2 Drawing Sheets

(58) **Field of Classification Search**

CPC F16M 11/04; F16M 11/20; F16M 11/40;
F16M 13/02; E05D 11/1014; A47G 1/00;
F16B 2/00; F16B 23/00; A63B 27/00
See application file for complete search history.

(56) **References Cited**

U.S. PATENT DOCUMENTS

D534,417 S *	1/2007	Caruana	D8/382
D594,380 S *	6/2009	Somers	D11/181
D616,286 S *	5/2010	Foresman	D8/354
D621,683 S *	8/2010	Mullenix	D8/323
D635,445 S *	4/2011	Foresman	D8/354
D686,952 S *	7/2013	Rau	D12/160
D722,864 S *	2/2015	Greenthal	D8/382
D730,429 S *	5/2015	Anari	D16/237
D734,124 S *	7/2015	Corpuz, Jr.	D8/323
D746,353 S *	12/2015	Woodman	D16/242
D748,965 S *	2/2016	Oshima	D8/323
D749,164 S *	2/2016	Raccah	D16/242
D749,394 S *	2/2016	Morinaga	D8/323
D751,631 S *	3/2016	Montoya	D16/334

D752,672 S *	3/2016	Clearman	D16/200
D757,842 S *	5/2016	Harrison	D16/242
D758,828 S *	6/2016	Corpuz, Jr.	D8/323
D761,078 S *	7/2016	Schweiss	D8/323
D761,084 S *	7/2016	Cox	D8/354
D761,634 S *	7/2016	Schweiss	D8/323
D762,536 S *	8/2016	Wurzer	D12/174
D764,566 S *	8/2016	Bennett	D16/242
D767,784 S *	9/2016	Kieffer	D25/68
D768,471 S *	10/2016	Marquez	D8/382
D778,507 S *	2/2017	Reaux	D29/122
D779,579 S *	2/2017	Anari, III	D16/242
D780,248 S *	2/2017	Anari, III	D16/242
D809,894 S *	2/2018	Schweiss	D8/323
D809,977 S *	2/2018	Smith	D12/159
D812,126 S *	3/2018	Paterson	D16/243
D821,483 S *	6/2018	Vitale	D16/244
D822,092 S *	7/2018	Bergman	D16/243

OTHER PUBLICATIONS

iGadgitz Extendable Selfie Stick with Adjustable Phone Holder, igadgitz.com, [online], [site visited Jul. 16, 2018]. <URL: <https://www.igadgitz.com/mst0206-seflie-monopod-stick.html#>> (Year: 2018).*

SUREClose 108 W Heavy-Duty Center Mount Gate Closer (Weld-On), Epivots.com, [online], [site visited Jul. 16, 2018]. <URL: <https://www.epivots.com/ddtech-108W.aspx>> (Year: 2018).*

Trailer Door & Ramp Gate Hinges, EasternMarine.com, [online], [site visited Jul. 16, 2018]. <URL: <https://www.easternmarine.com/Trailer-Door-Ramp-Gate-Hinges>> (Year: 2018).*

* cited by examiner

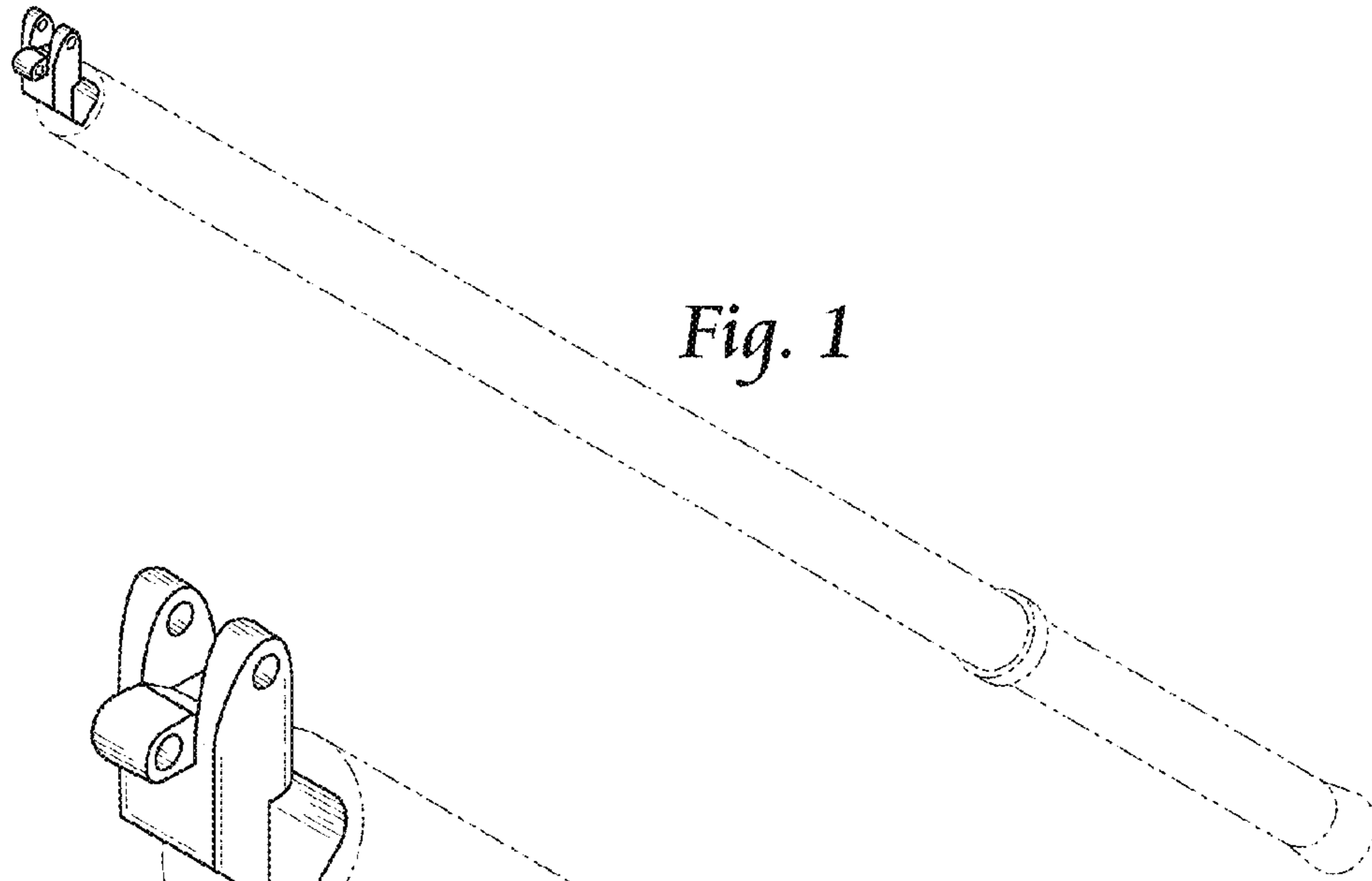


Fig. 1

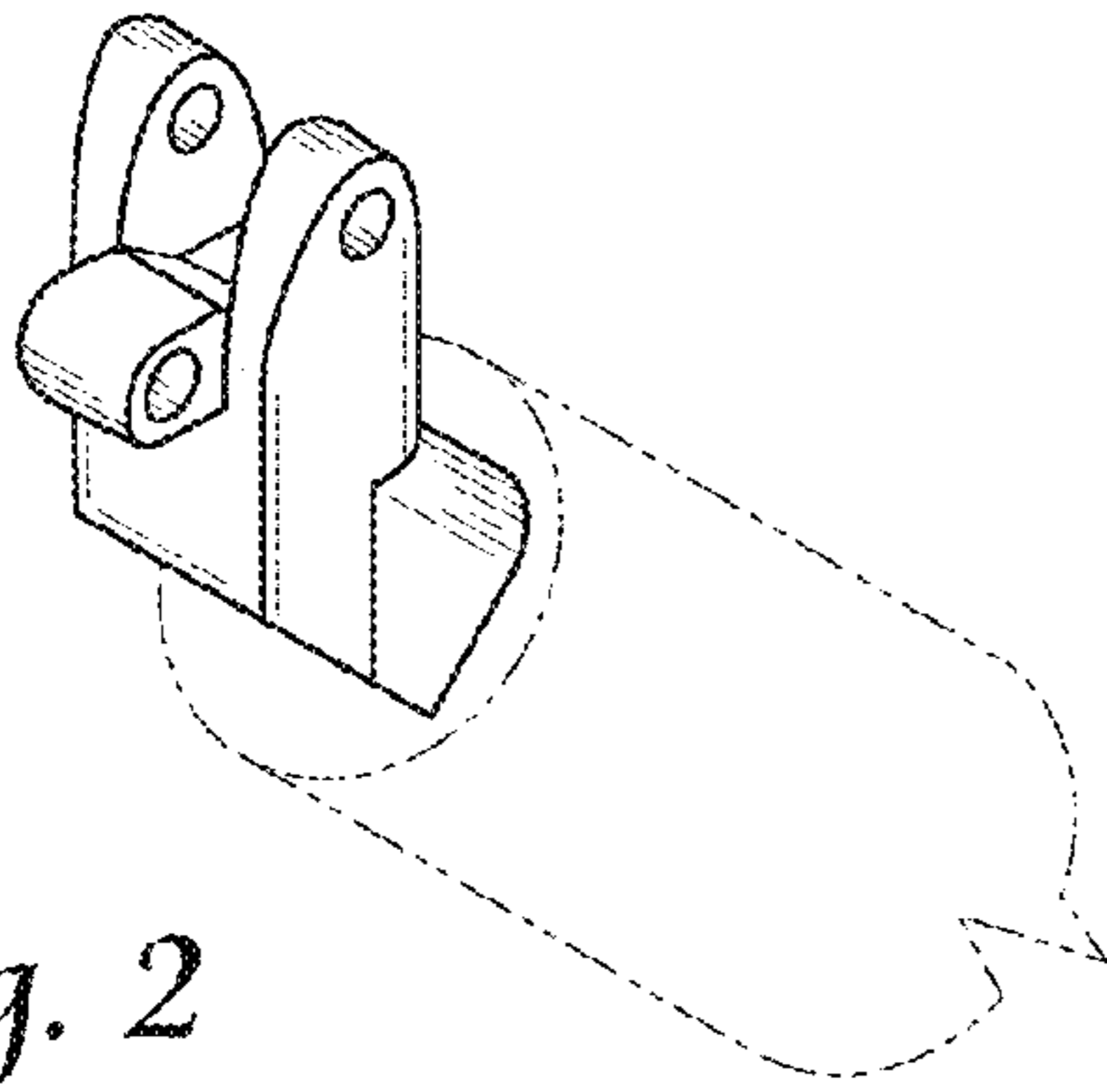


Fig. 2

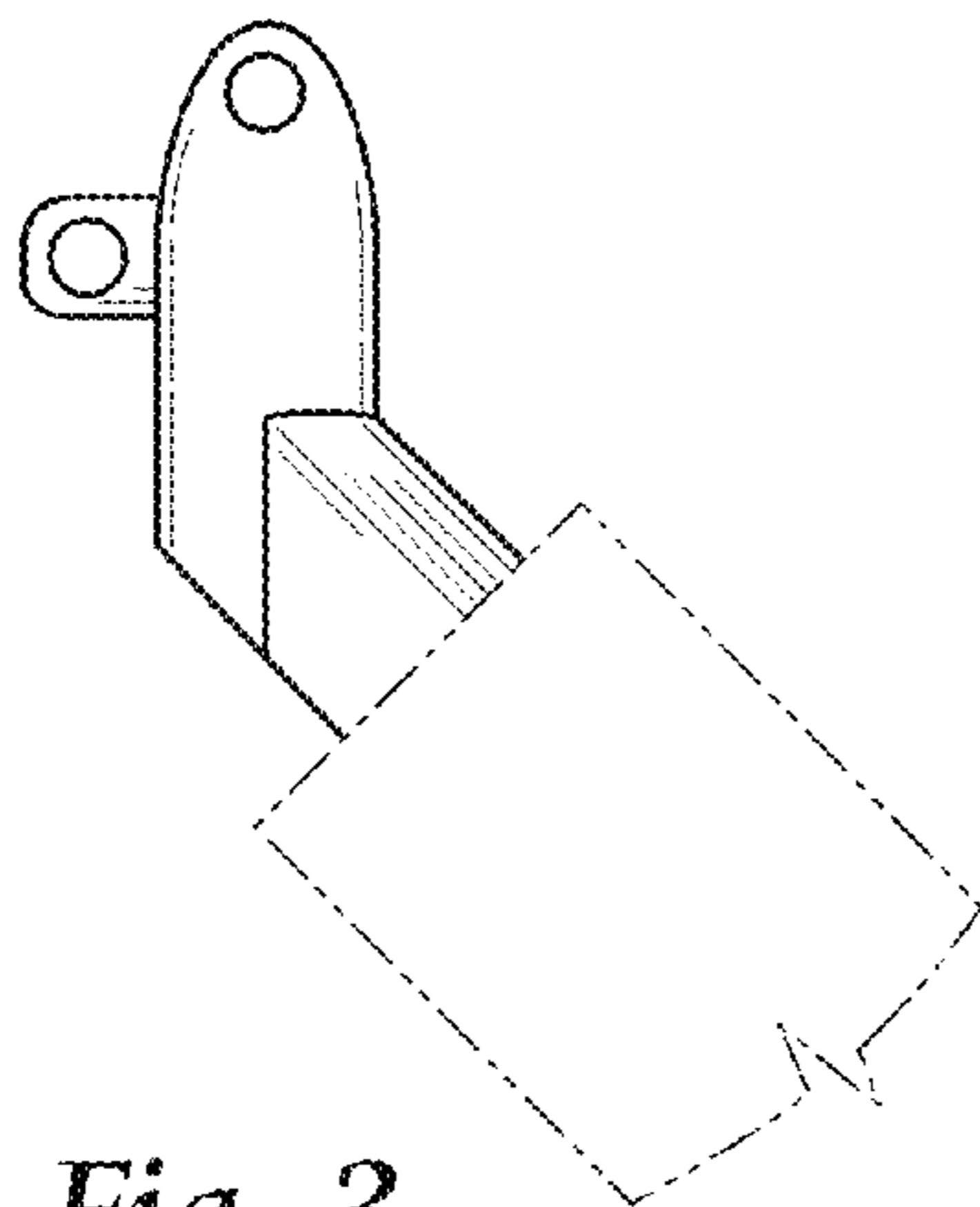


Fig. 3

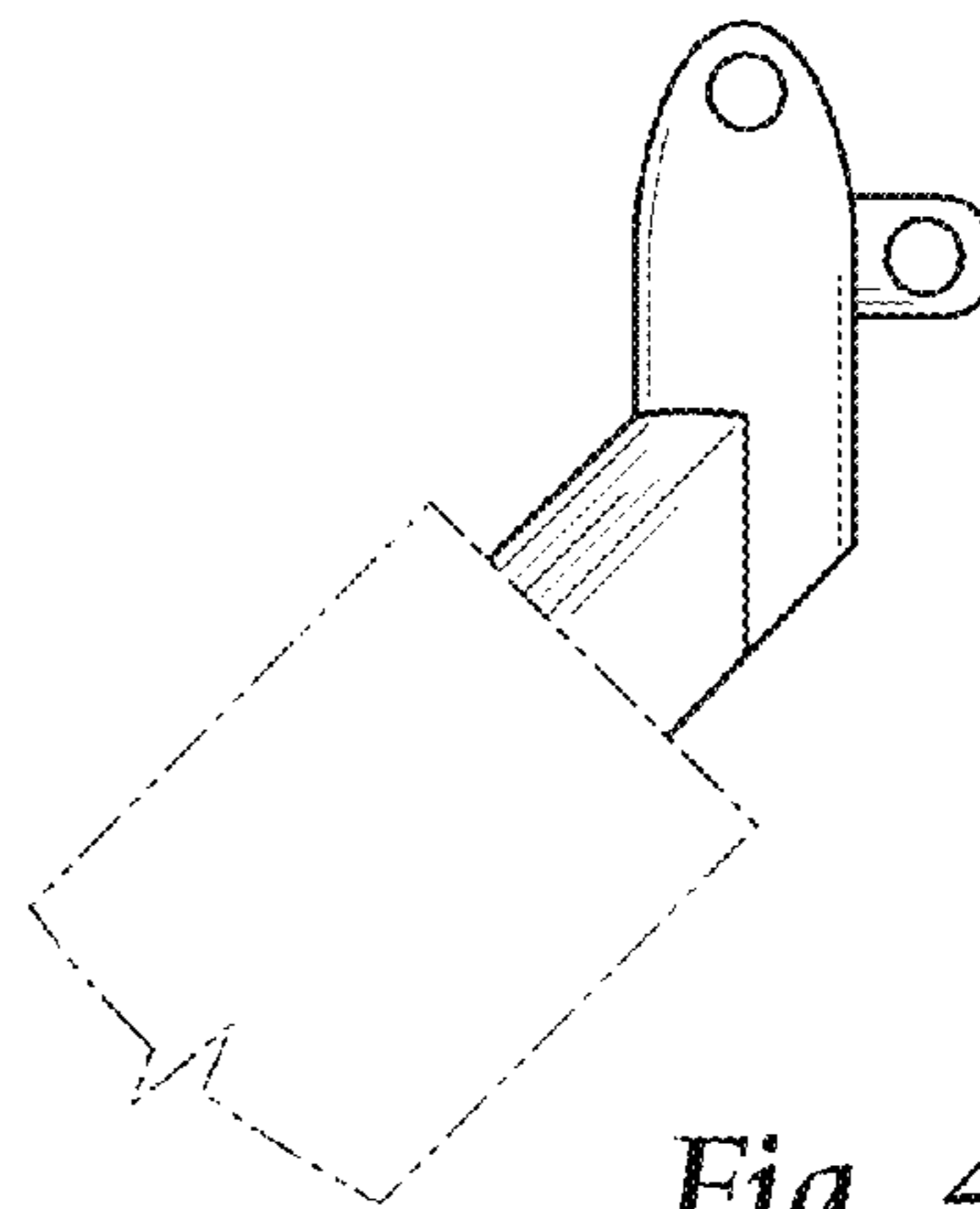


Fig. 4

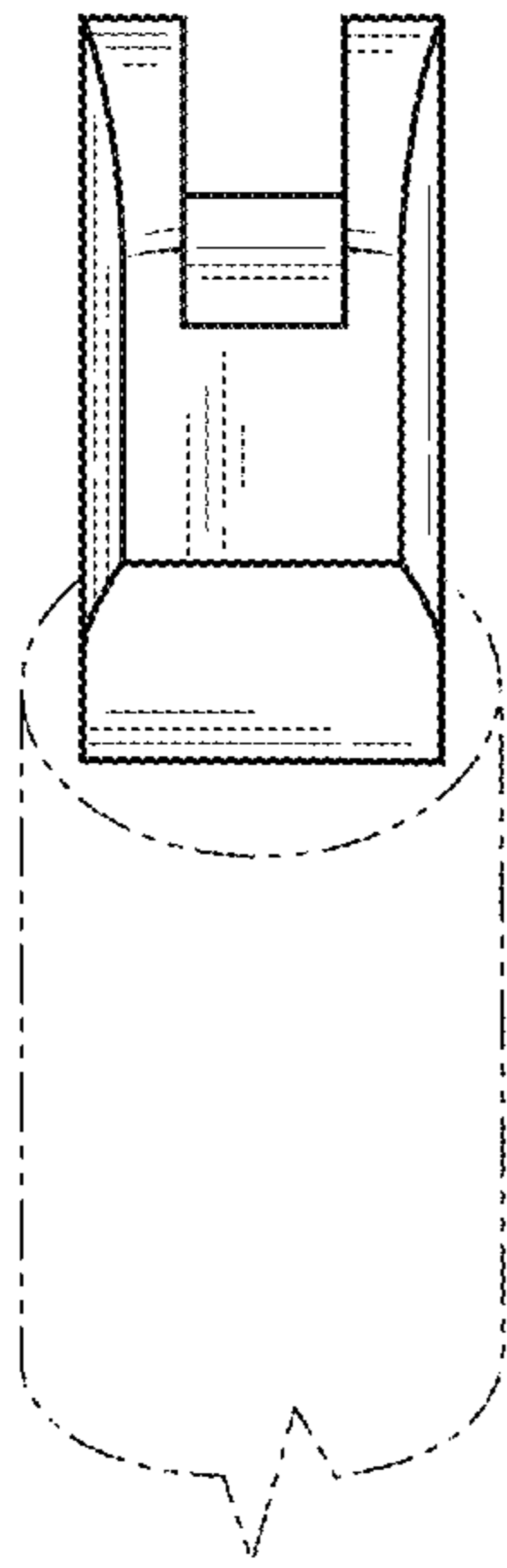


Fig. 5

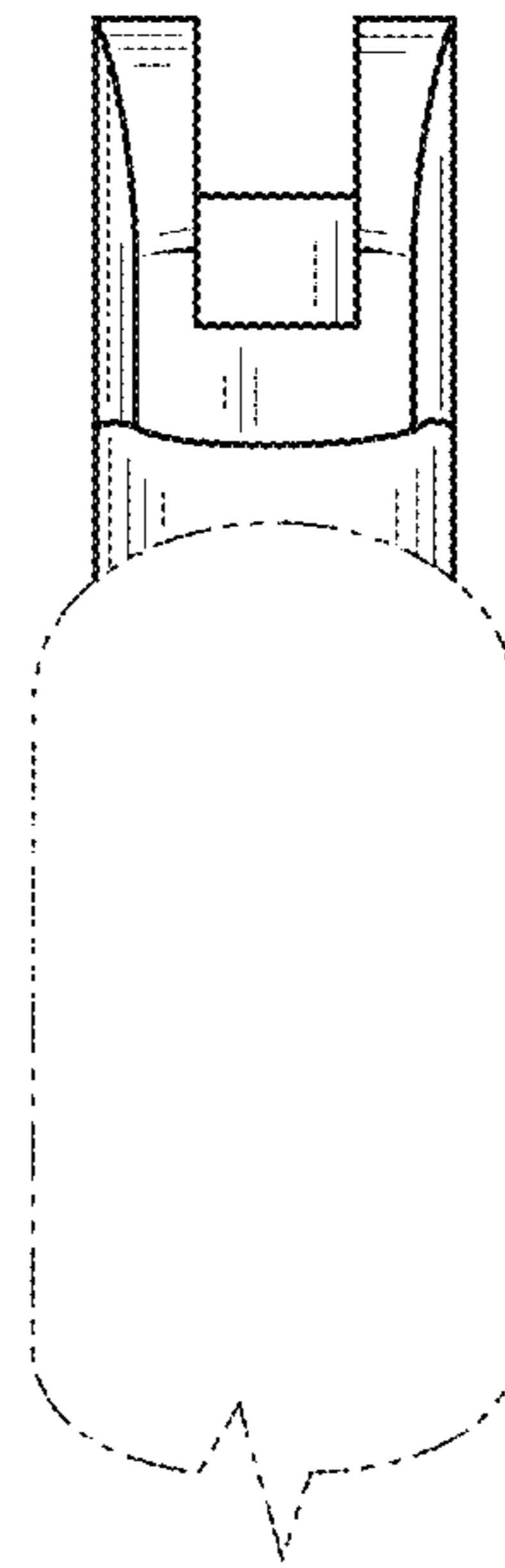


Fig. 6

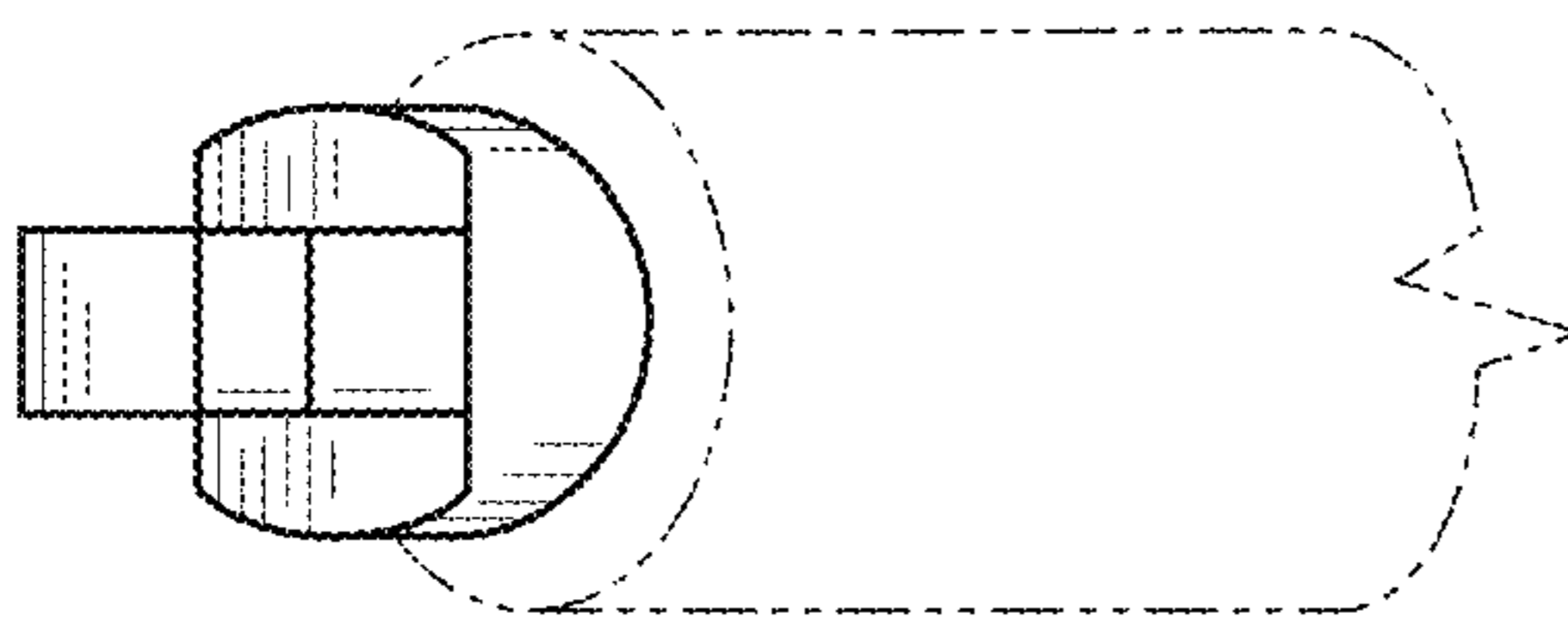


Fig. 7



Fig. 8