



US00D837924S

(12) **United States Design Patent**
Kunau

(10) **Patent No.:** **US D837,924 S**

(45) **Date of Patent:** **** Jan. 8, 2019**

(54) **FIREARM SUPPRESSOR**

(71) Applicant: **Daniel J. Kunau**, Paragould, AR (US)

(72) Inventor: **Daniel J. Kunau**, Paragould, AR (US)

(**) Term: **15 Years**

(21) Appl. No.: **29/588,419**

(22) Filed: **Dec. 20, 2016**

(51) **LOC (11) Cl.** **22-01**

(52) **U.S. Cl.**
USPC **D22/108**

(58) **Field of Classification Search**

USPC D22/108–110, 199, 100, 101, 103, 104;
D21/572–575; 33/241, 277, 362, 110,
33/105 R; 42/51, 71.01, 75.01, 75.02,
42/76.02–76.1, 79, 90, 94, 1.06, 107, 134,
42/136, 139, 125, 72, 111; 89/40.06,
89/41.19, 37.04, 33.04, 191.01, 200–204,
89/14.1–14.8; 124/92, 72, 74, 66, 67;
102/450, 451, 452, 532, 461; 181/223;
D25/119–125; D26/38; D14/418;
D7/672; D2/958

CPC F41A 13/00; F41A 35/04; F41A 21/00;
F41A 21/32; F41A 21/325; F41A 21/34;
F41A 21/36; F41A 21/38; F41A 21/40;
F41A 21/42; F41B 5/00; F41C 27/00

See application file for complete search history.

(56) **References Cited**

U.S. PATENT DOCUMENTS

1,259,251 A * 3/1918 Love F41A 21/30
181/223
1,429,619 A * 9/1922 Nelson F41A 21/36
89/14.3
2,738,609 A * 3/1956 Reed A01K 93/02
43/17.5

2,805,434 A * 9/1957 Hopkins F41A 29/02
15/104.16

D195,627 S * 7/1963 Ashbrook 89/14.3

3,152,510 A * 10/1964 Ashbrook F41A 21/36
89/14.3

(Continued)

OTHER PUBLICATIONS

Rifle Suppressor & Muzzle Brake—What The Pros Use, PrecisionRifleBlog.com, Cal Zant, Dec. 12, 2015, [online], [site visited Apr. 11, 2018]. <URL: <http://precisionrifleblog.com/2015/12/12/rifle-suppressor/>> (Year: 2015).*

(Continued)

Primary Examiner — T Chase Nelson

Assistant Examiner — Jonathan J. Han

(74) *Attorney, Agent, or Firm* — Schrantz Law Firm, PLLC; Stephen D. Schrantz

(57) **CLAIM**

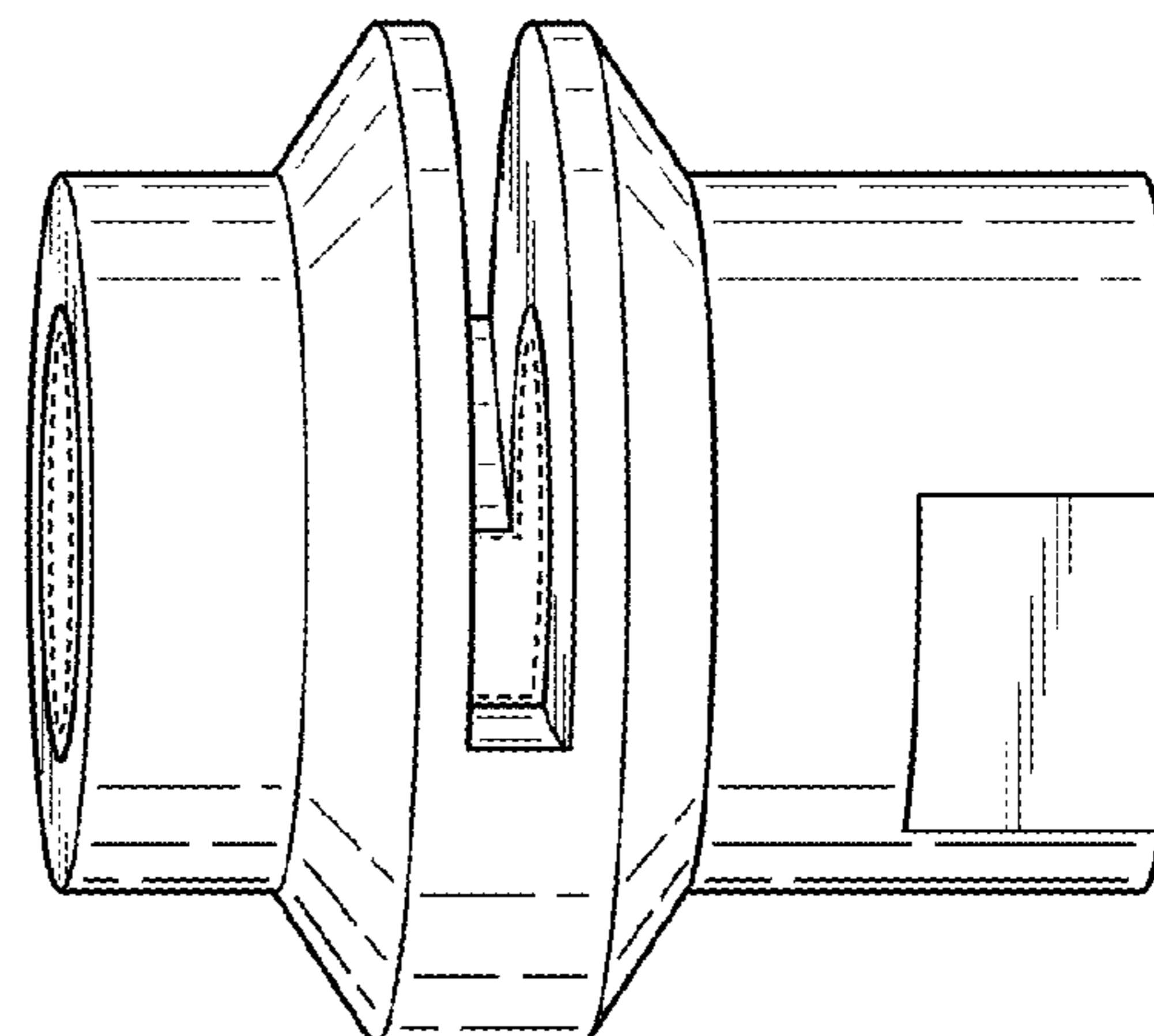
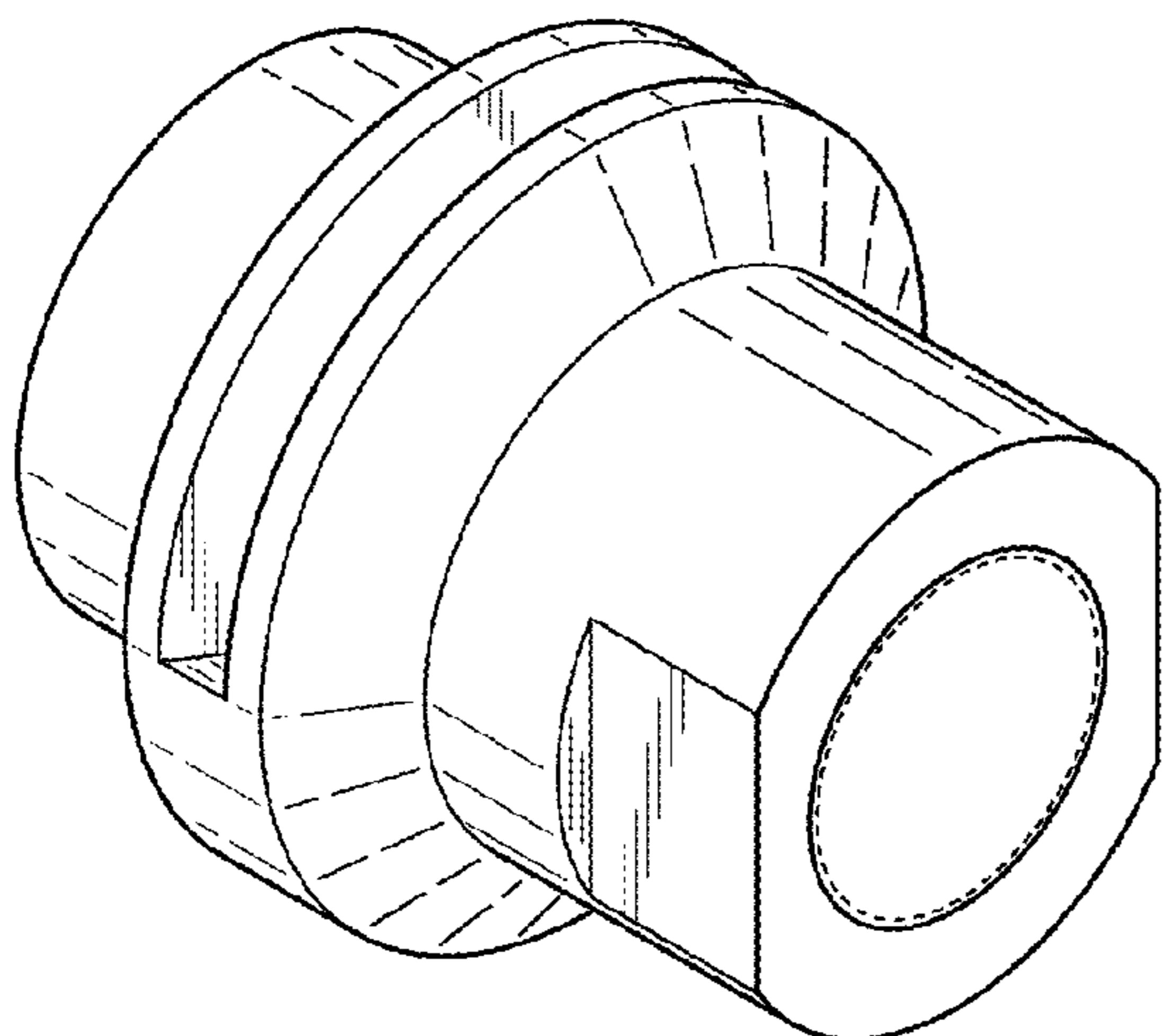
The ornamental design for a firearm suppressor, as shown and described.

DESCRIPTION

FIG. 1 is a perspective view showing my new design; FIG. 2 is another perspective view thereof; FIG. 3 is a top view thereof; FIG. 4 is a front view thereof; FIG. 5 is a bottom view thereof; FIG. 6 is a left side view thereof with the right side view being a mirror image of the left side view; FIG. 7 is a rear view thereof; FIG. 8 is a cross-sectional view thereof along the line of 8-8 of FIG. 6; and, FIG. 9 is a perspective view thereof attached to an unclaimed firearm environment.

The broken lines in the drawings are used to illustrate unclaimed portions as well as an unclaimed firearm in FIG. 9. The broken lines and structure they depict form no part of the claimed design.

1 Claim, 3 Drawing Sheets



(56)

References Cited

U.S. PATENT DOCUMENTS

3,368,453 A * 2/1968 Shaw F41A 21/36
89/14.3
3,478,417 A * 11/1969 Shaw F41A 21/36
29/558
3,492,912 A * 2/1970 Ashbrook F41A 21/36
181/223
4,010,567 A * 3/1977 MacMillan A01K 93/02
43/17.5
4,545,285 A * 10/1985 McLain F41A 21/36
89/14.3
D281,895 S * 12/1985 McLain 89/14.3
4,813,333 A * 3/1989 Garris F41A 21/38
89/14.3
4,879,942 A * 11/1989 Cave F41A 21/36
89/14.3
5,631,438 A * 5/1997 Martel F41A 21/36
42/79
D436,643 S * 1/2001 Sims D22/107
6,578,462 B1 * 6/2003 Franchino F41A 21/36
89/14.2
7,530,299 B1 * 5/2009 Poff F41A 21/36
42/1.06
D649,618 S * 11/2011 Draves D22/107
D661,363 S * 6/2012 McPherson D22/107
D680,824 S * 4/2013 Patel D7/672
D689,586 S * 9/2013 Zuch D22/134
D699,303 S * 2/2014 Coulter D21/573
D708,289 S * 7/2014 Coalson D22/107

8,997,621 B1 * 4/2015 Dater F41A 21/325
89/14.3
9,163,891 B1 * 10/2015 Dater F41A 21/34
9,163,892 B1 * 10/2015 Buboltz F41A 21/28
D754,275 S * 4/2016 Geissele D22/108
D759,188 S * 6/2016 Geissele D22/108
9,541,344 B2 * 1/2017 Moon F41A 21/36
9,739,408 B2 * 8/2017 Tecson F16L 55/02718
9,921,021 B1 * 3/2018 Graham, II F41A 21/325
9,927,201 B2 * 3/2018 Penchuk F41A 21/325
2003/0019352 A1 * 1/2003 Mika F41A 21/36
89/14.05
2012/0272818 A1 * 11/2012 Dueck F41A 21/30
89/14.4

OTHER PUBLICATIONS

Blackhawk! AR-15 Barrage Flash Suppressor 5.56MM NATO
1/2"x28 Thread Steel Matte Black, CobraTac.com, [online], [site
visited Apr. 11, 2018]. <URL: [https://www.cobratac.com/products/
bh-barrage-flash-suppressor-5-56mm](https://www.cobratac.com/products/bh-barrage-flash-suppressor-5-56mm)> (Year: 2018).*
AAC Blackout Flash Hider 51-Tooth Ratchet Suppressor Mount
5.56mm AR-15 1/2"-28 Thread-Steel Matte, SelwayArmory.com,
[online], [site visited Apr. 11, 2018]. <URL: [http://www.selwayarmory.
com/aac-blackout-flash-hider-51-tooth-ratchet-suppressor-mount-5-
56mm-ar-15-1-2-28-thread-steel-matte.html](http://www.selwayarmory.com/aac-blackout-flash-hider-51-tooth-ratchet-suppressor-mount-5-56mm-ar-15-1-2-28-thread-steel-matte.html)> (Year: 2018).*
Griffin Armament Recce 7 Mod 4, SilencerShop.com, [online], [site
visited Apr. 11, 2018]. <URL: [https://www.silencershop.com/silencers/
7-62mm-rifle/griffin-armament-recce-7.html](https://www.silencershop.com/silencers/7-62mm-rifle/griffin-armament-recce-7.html)> (Year: 2018).*

* cited by examiner

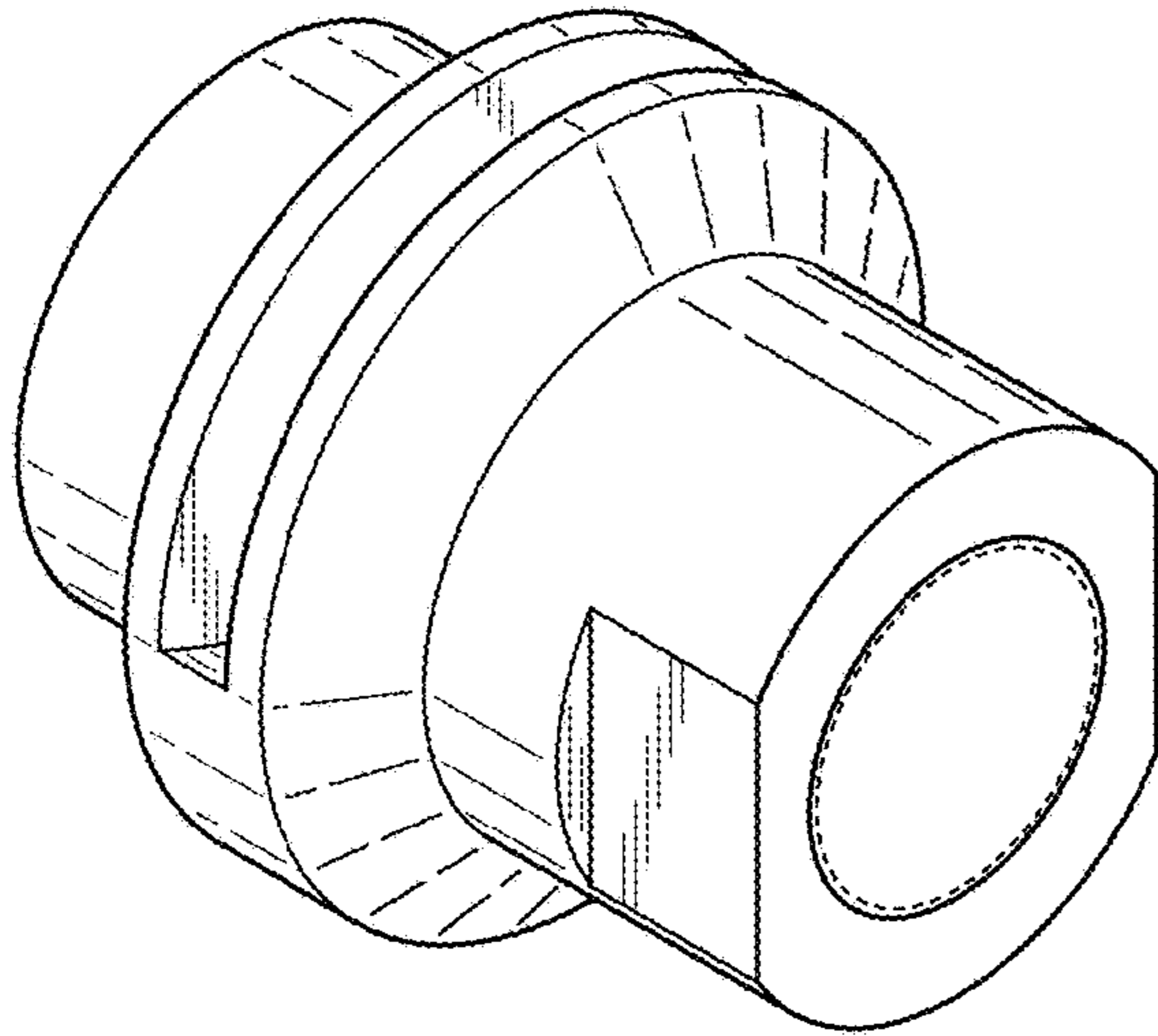


FIG. 1

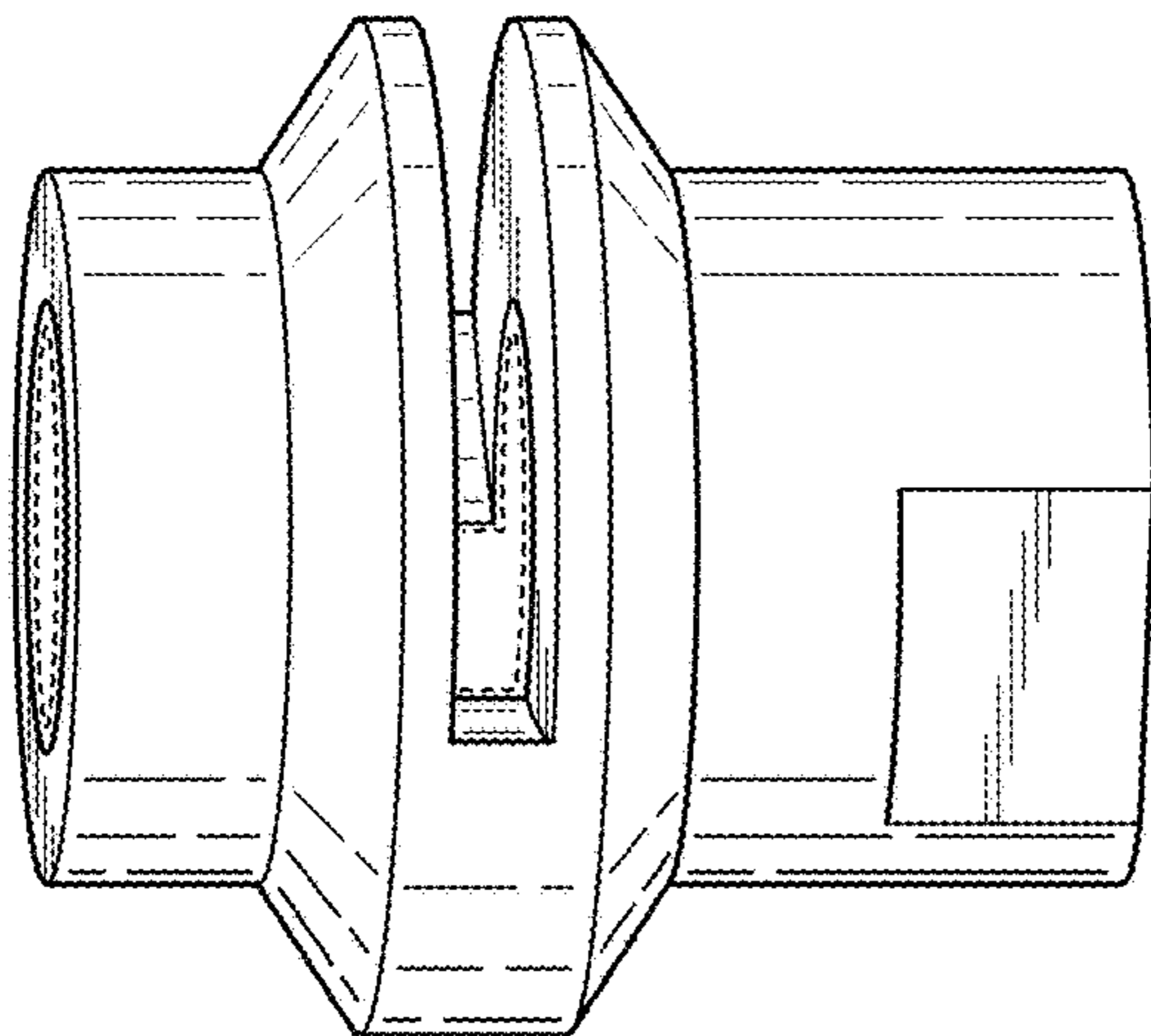


FIG. 2

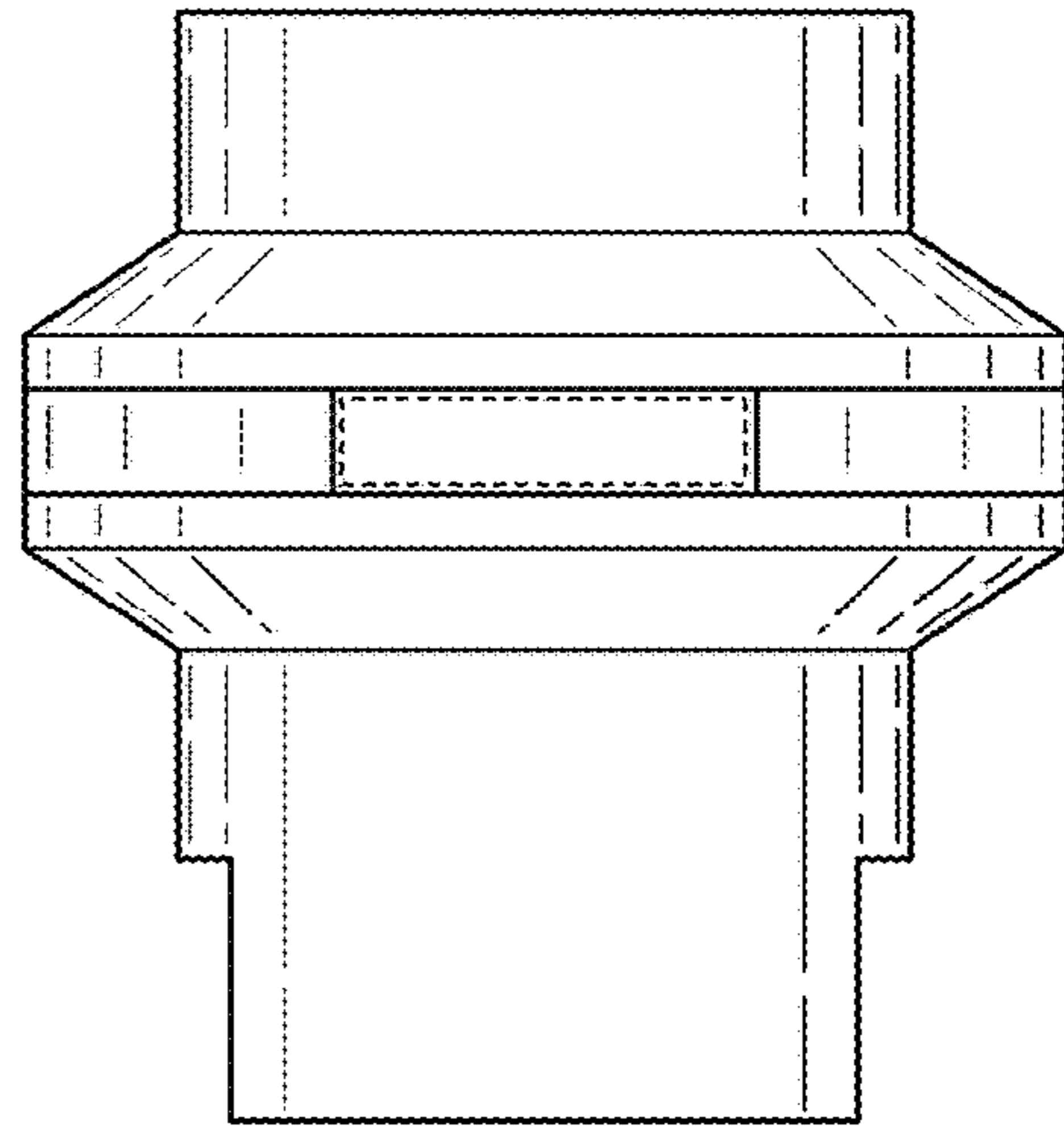


FIG. 3

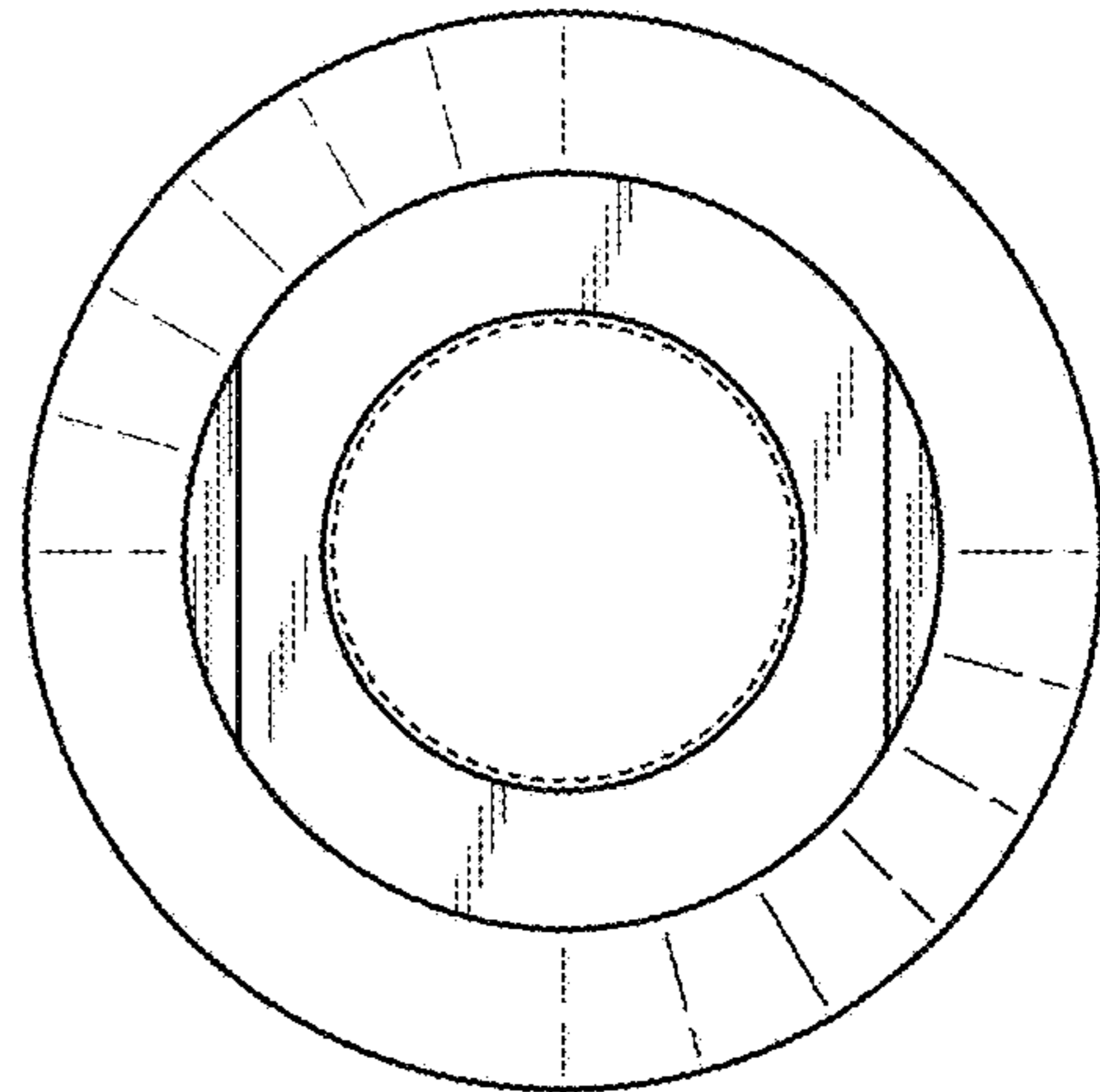


FIG. 4

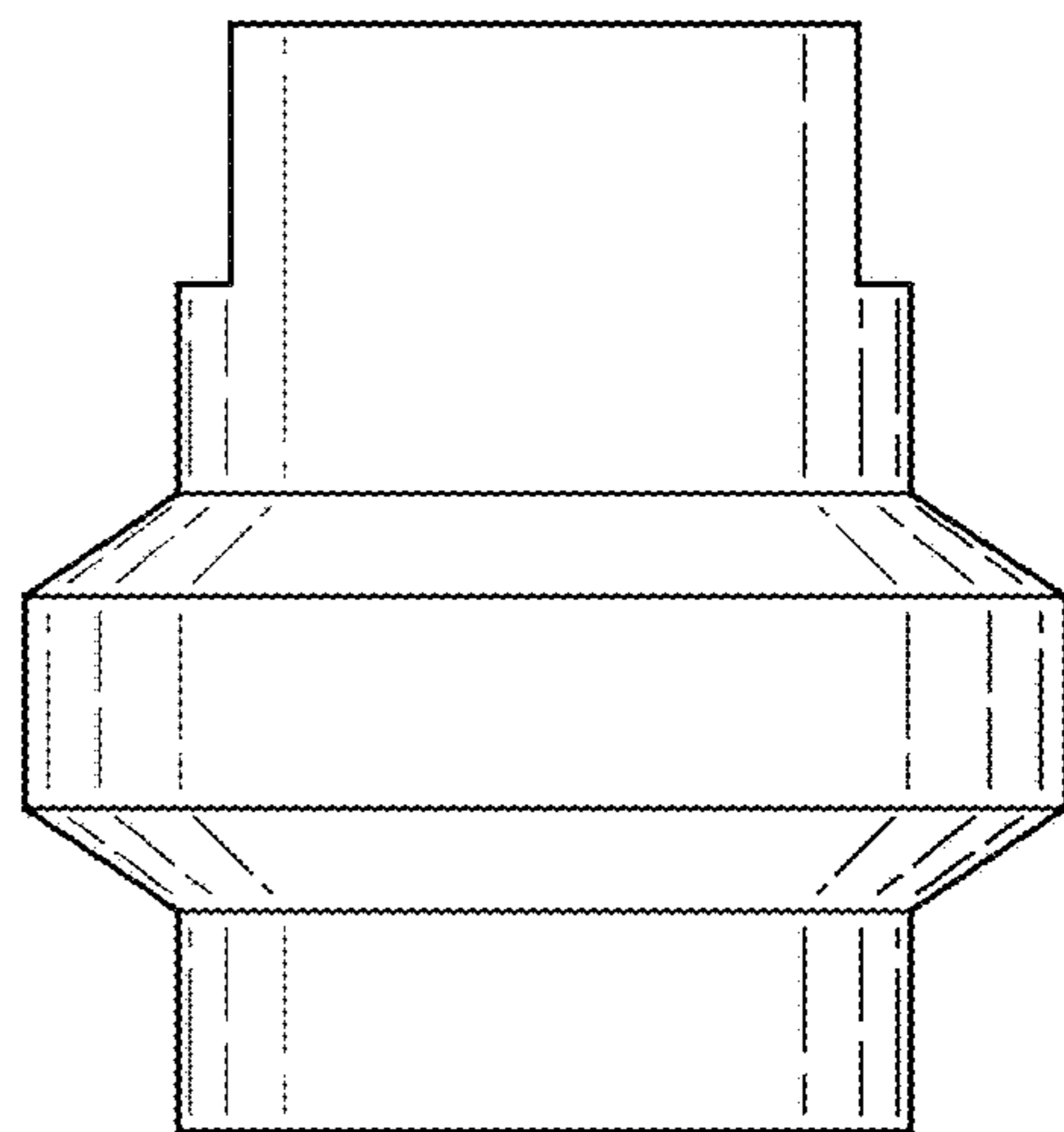


FIG. 5

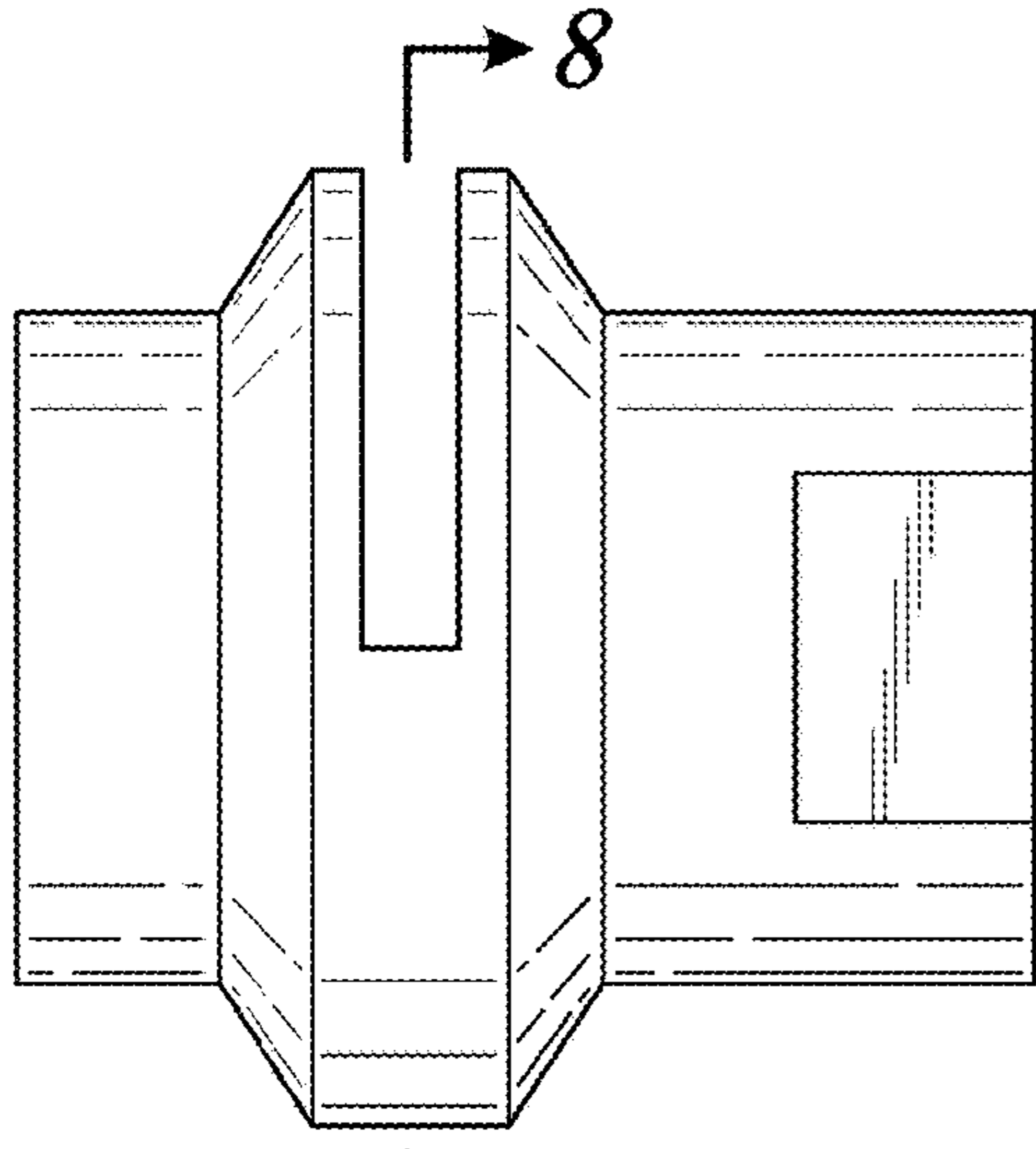


FIG. 6

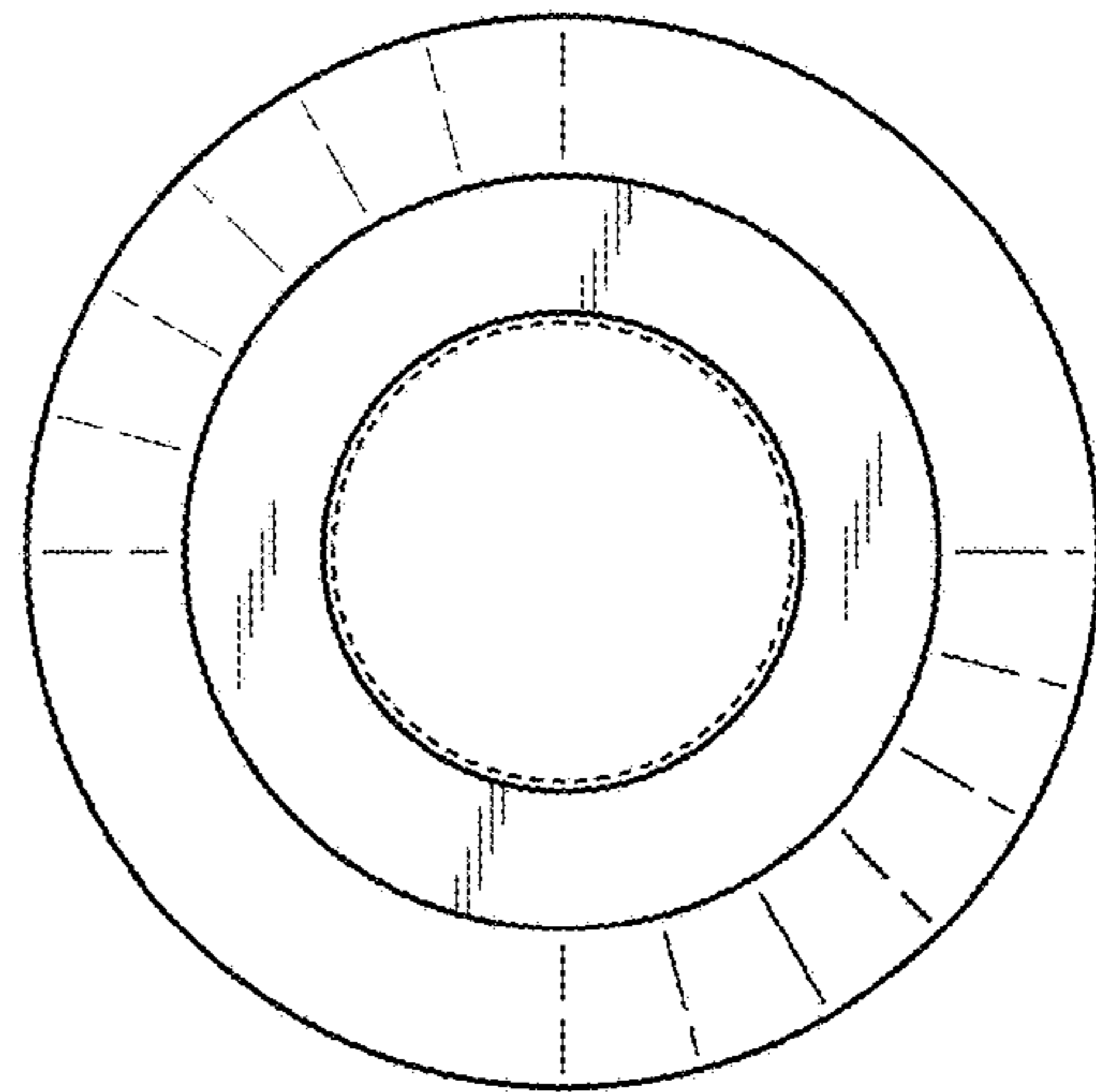


FIG. 7

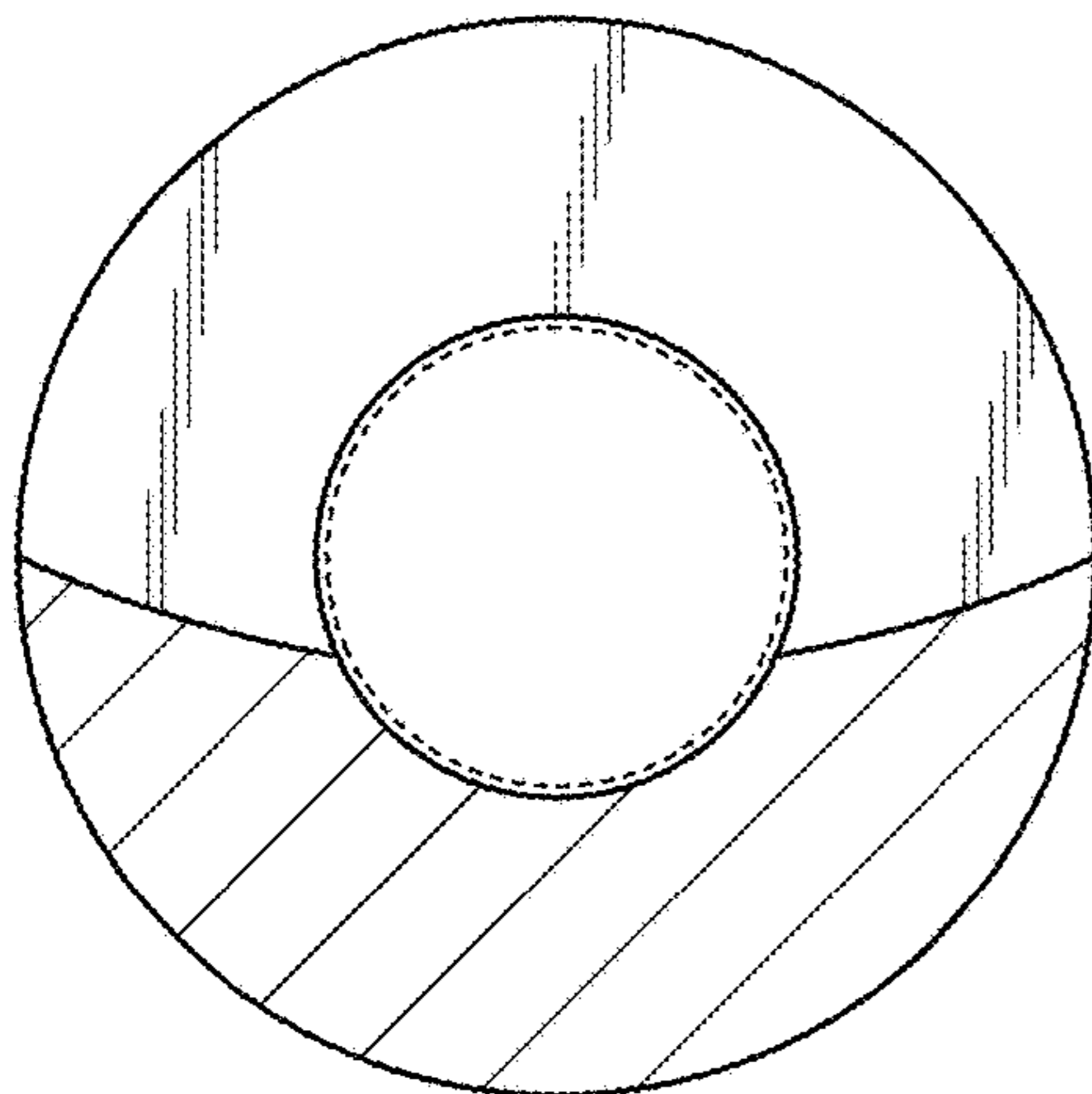


FIG. 8

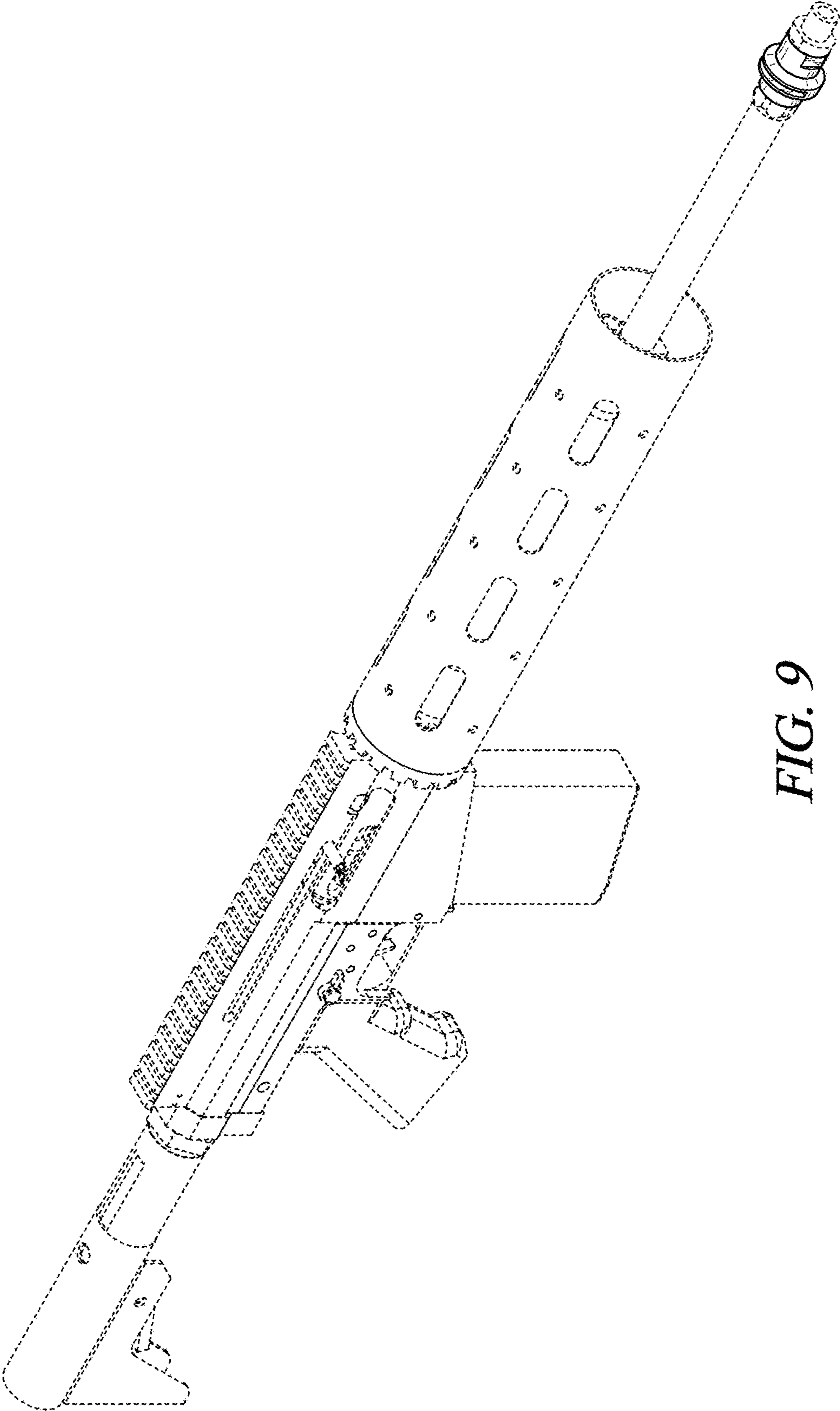


FIG. 9