

US00D837922S

(12) **United States Design Patent**
McDonald et al.

(10) **Patent No.:** **US D837,922 S**
(45) **Date of Patent:** **** Jan. 8, 2019**

(54) **MODULAR SILENCER**

(71) Applicant: **Q, LLC**, Portsmouth, NH (US)

(72) Inventors: **Brian McDonald**, Portsmouth, NH (US); **Kevin Brittingham**, Portsmouth, NH (US); **Ethan Lessard**, East Kingston, NH (US)

(73) Assignee: **Q, LLC**, Portsmouth, NH (US)

(**) Term: **15 Years**

(21) Appl. No.: **29/571,699**

(22) Filed: **Jul. 20, 2016**

(51) **LOC (11) Cl.** **22-01**

(52) **U.S. Cl.**
USPC **D22/108**

(58) **Field of Classification Search**
USPC D22/108
CPC F41A 21/30; F41A 21/325
See application file for complete search history.

(56) **References Cited**

U.S. PATENT DOCUMENTS

2,847,888	A	8/1958	Paulson	
8,100,224	B1	1/2012	Olson	
8,439,155	B2 *	5/2013	Shults	F41A 21/30
				181/223
8,499,676	B1 *	8/2013	Moore	F41A 21/26
				42/90
8,516,941	B1	8/2013	Oliver	
8,555,765	B2 *	10/2013	Graham, II	F41A 21/325
				285/92
9,175,920	B2	11/2015	Moore	
9,476,661	B2	10/2016	Troy et al.	
9,500,427	B1	11/2016	Larue	
9,631,888	B2	4/2017	Young	
9,746,267	B2	8/2017	Smith	

9,816,773 B1 11/2017 Reis Green et al.
9,857,137 B2 1/2018 Barrett
9,921,021 B1 3/2018 Graham
(Continued)

OTHER PUBLICATIONS

Stuck suppressor—need ideas / Sniper's Hide Forum, <http://forum.snipershide.com/threads/stuck-suppressor-need-ideas.66820> (Year: 2011).

(Continued)

Primary Examiner — Michael A. Pratt

(74) *Attorney, Agent, or Firm* — Fox Rothschild LLP

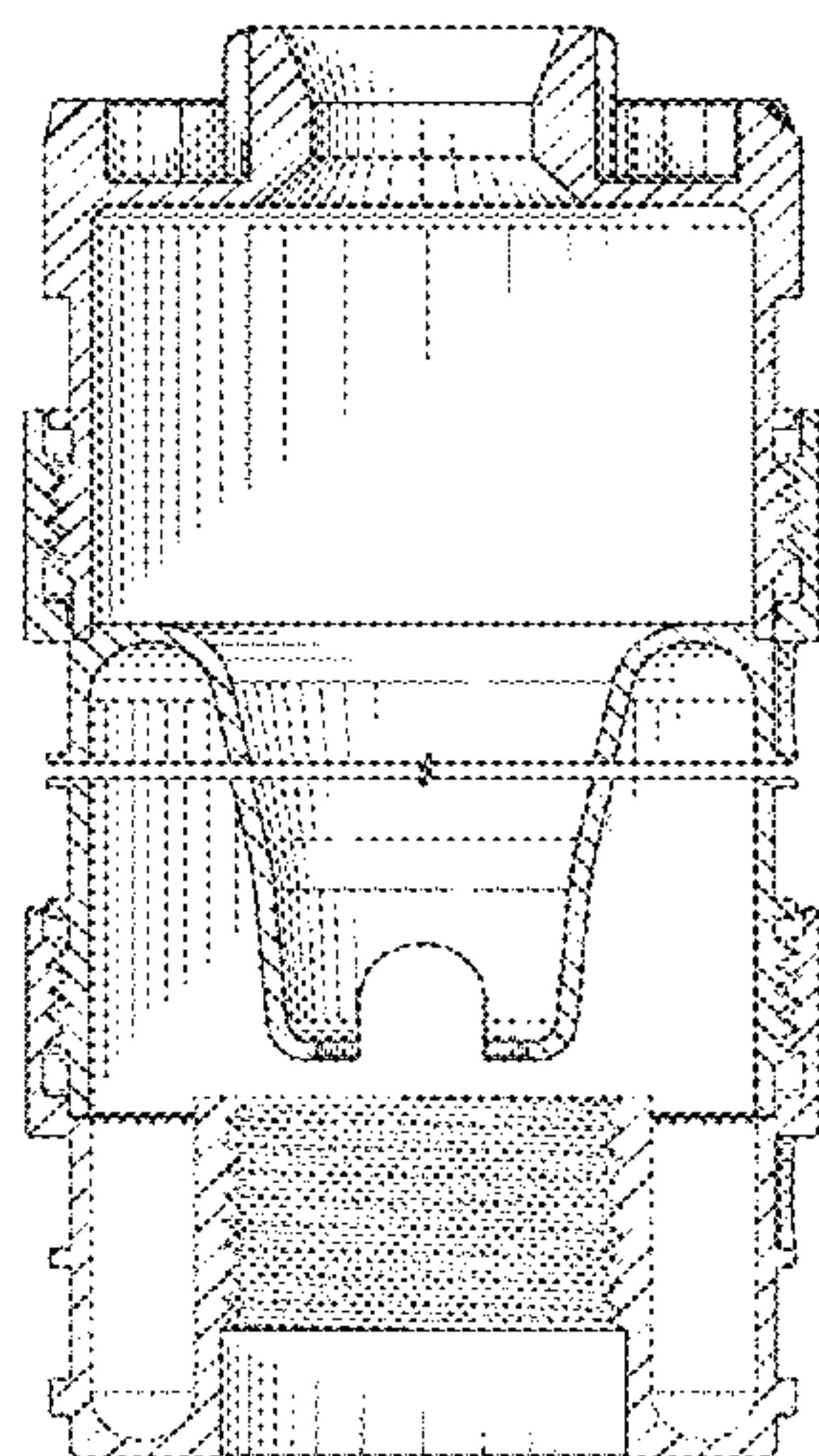
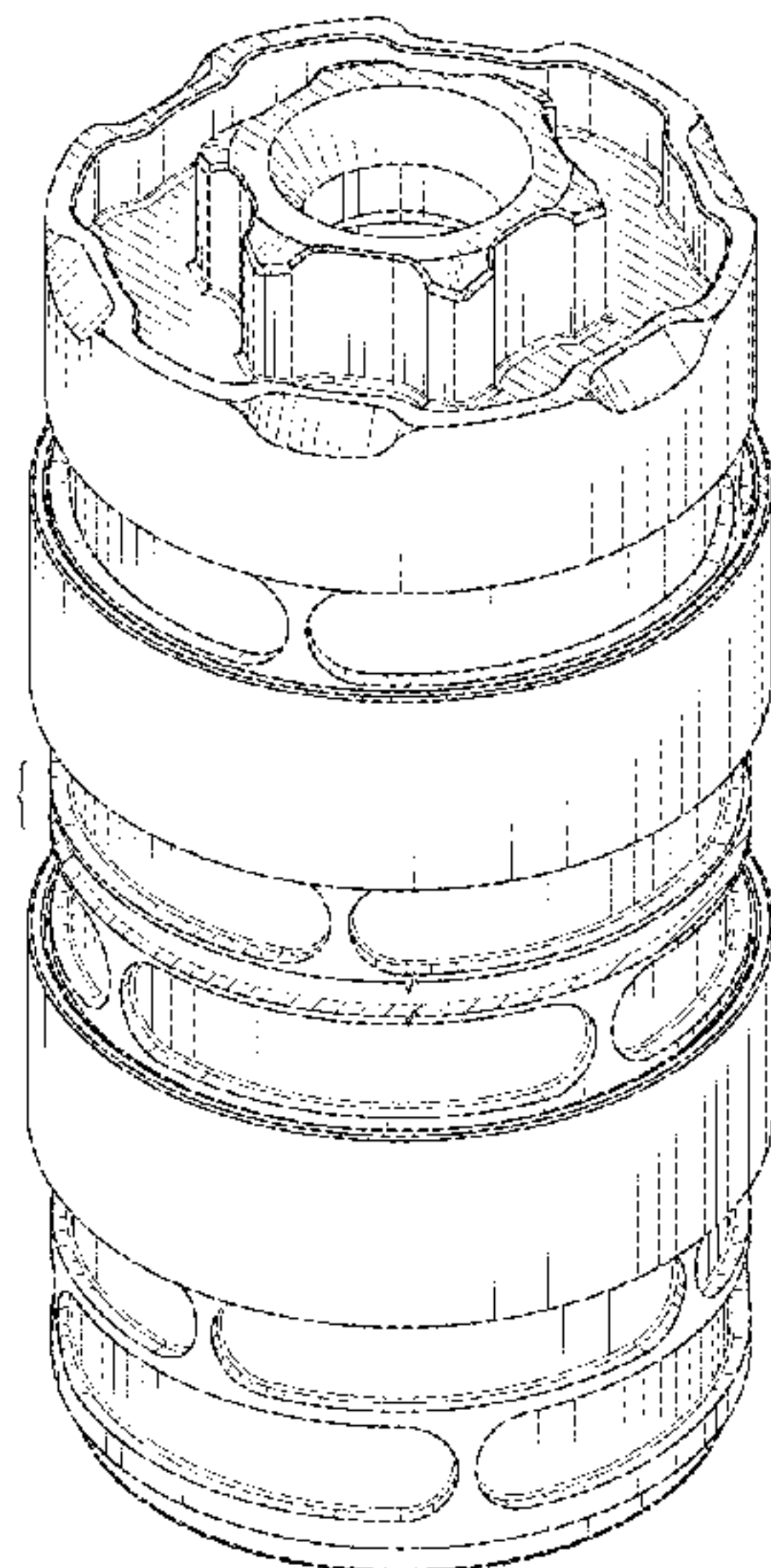
(57) **CLAIM**

The ornamental design for a modular silencer, as shown and described.

DESCRIPTION

FIG. 1 is an isometric view of a modular silencer in accordance with the present disclosure; FIG. 2 is a front view of the modular silencer of FIG. 1; FIG. 3 is a rear view of the modular silencer of FIG. 1; FIG. 4 is a left side elevation view of the modular silencer of FIG. 1; FIG. 5 is a right side elevation view of the modular silencer of FIG. 1; FIG. 6 is a top view of the modular silencer of FIG. 1; FIG. 7 is a bottom view of the modular silencer of FIG. 1; FIG. 8 is a cross-sectional view along line 8-8 shown in FIG. 2 of the modular silencer of FIG. 1; FIG. 9 is a cross-sectional view along line 9-9 shown in FIG. 6 of the modular silencer of FIG. 1; and, FIG. 10 is a cross-sectional view along line 10-10 shown in FIG. 6 of the modular silencer of FIG. 1. The broken lines in the Figures are for illustrative purposes only and form no part of the claimed design. The symbolic break lines shown in FIGS. 1-5, 9, and 10 represent an indeterminate length and form no part of the claimed design.

1 Claim, 5 Drawing Sheets



(56)

References Cited

U.S. PATENT DOCUMENTS

2008/0098880 A1* 5/2008 Brugger F41A 21/30
89/14.4
2012/0255807 A1* 10/2012 Pieratti F41A 21/30
181/223
2017/0153080 A1 6/2017 Roberts et al.
2017/0167816 A1 6/2017 Young et al.
2017/0261281 A1 9/2017 Salvador
2017/0299313 A1 10/2017 Adamson
2018/0038663 A1 2/2018 Larue
2018/0058791 A1 3/2018 Larue

OTHER PUBLICATIONS

Washers and torque on suppressors—SilencerTalk, <http://www.silencertalk.com/forum/viewtopic.php?t=93784> (Year: 2012).

* cited by examiner

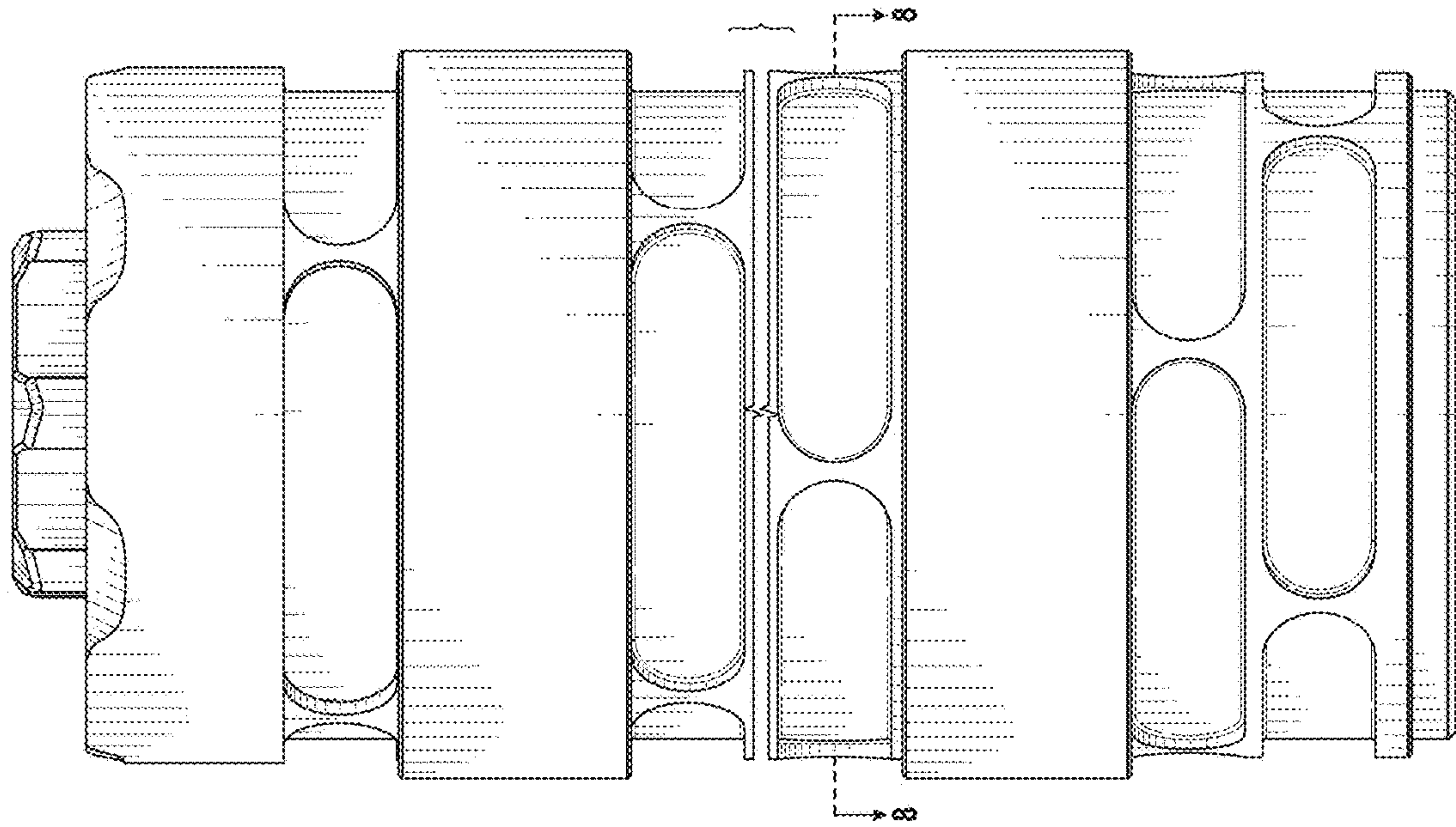


FIG. 2

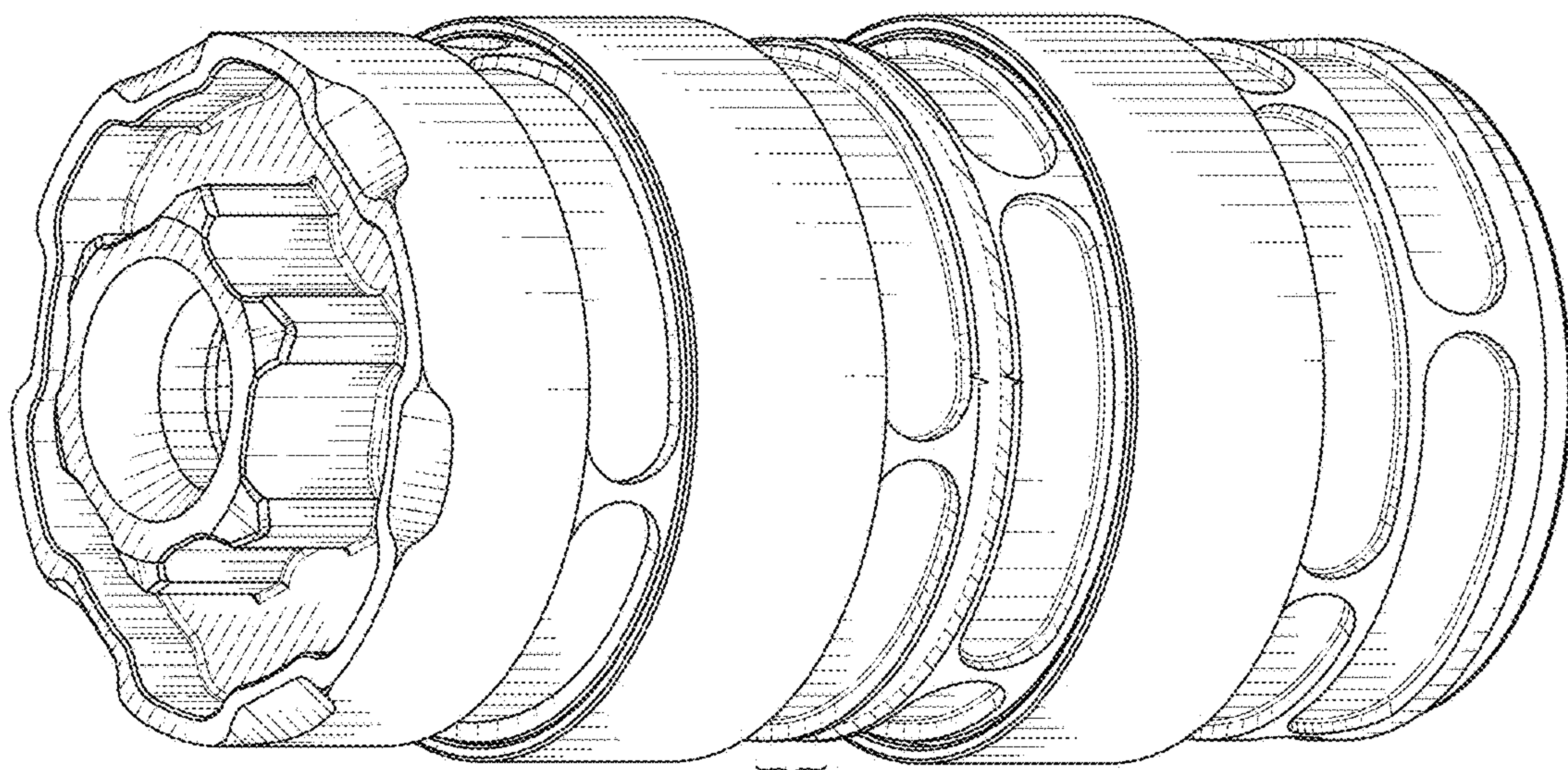


FIG. 1

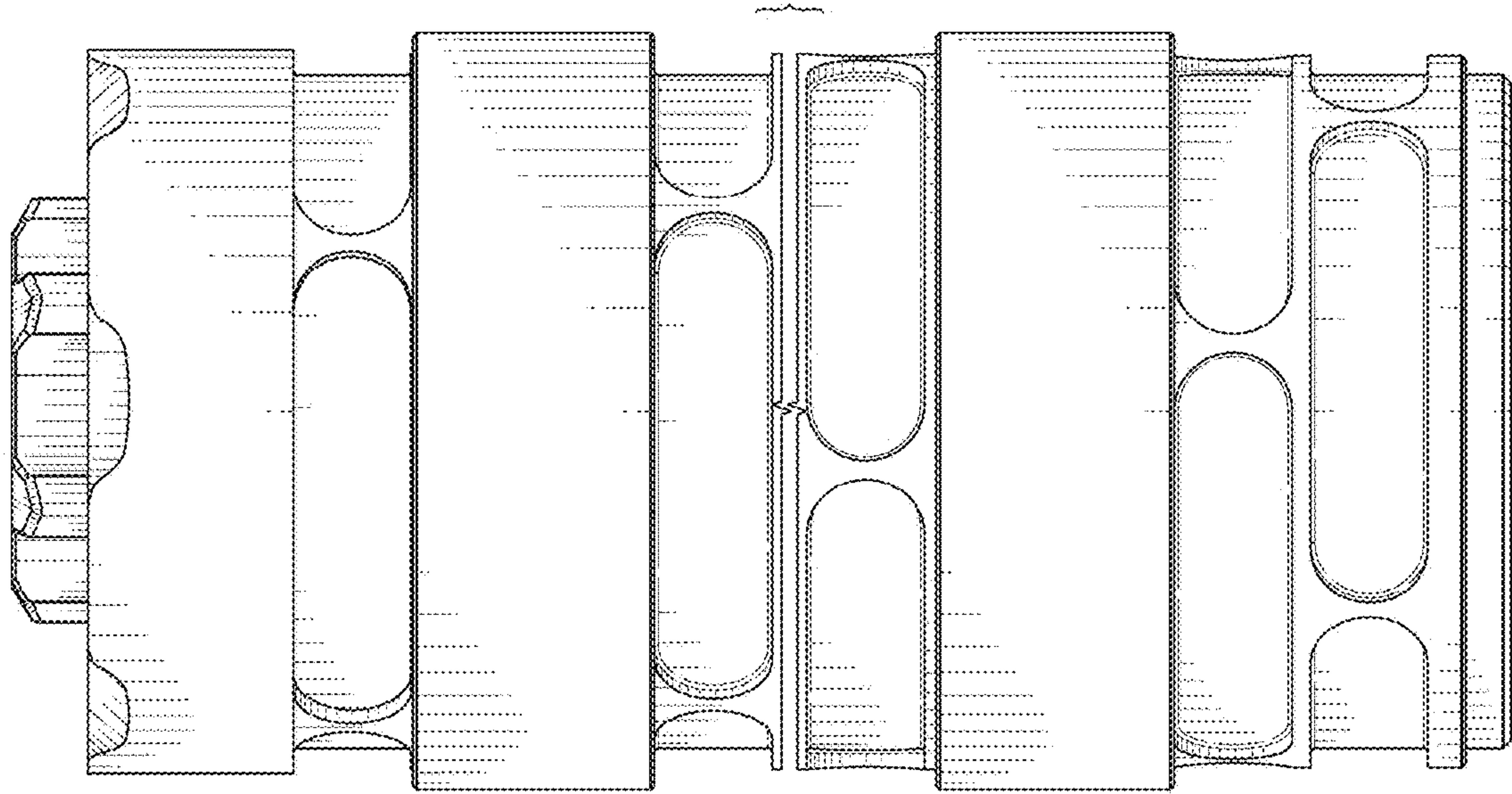


FIG. 4

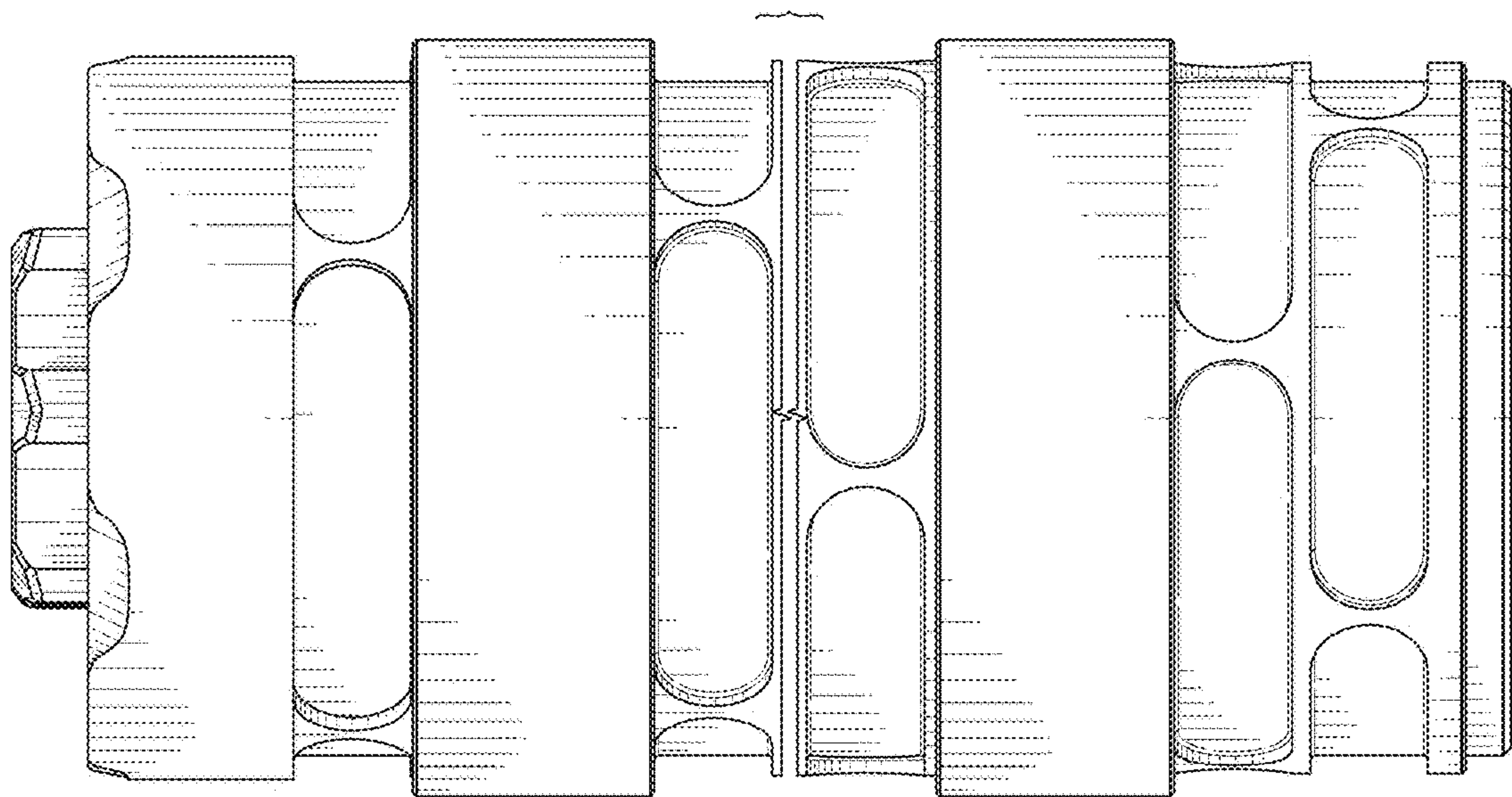


FIG. 3

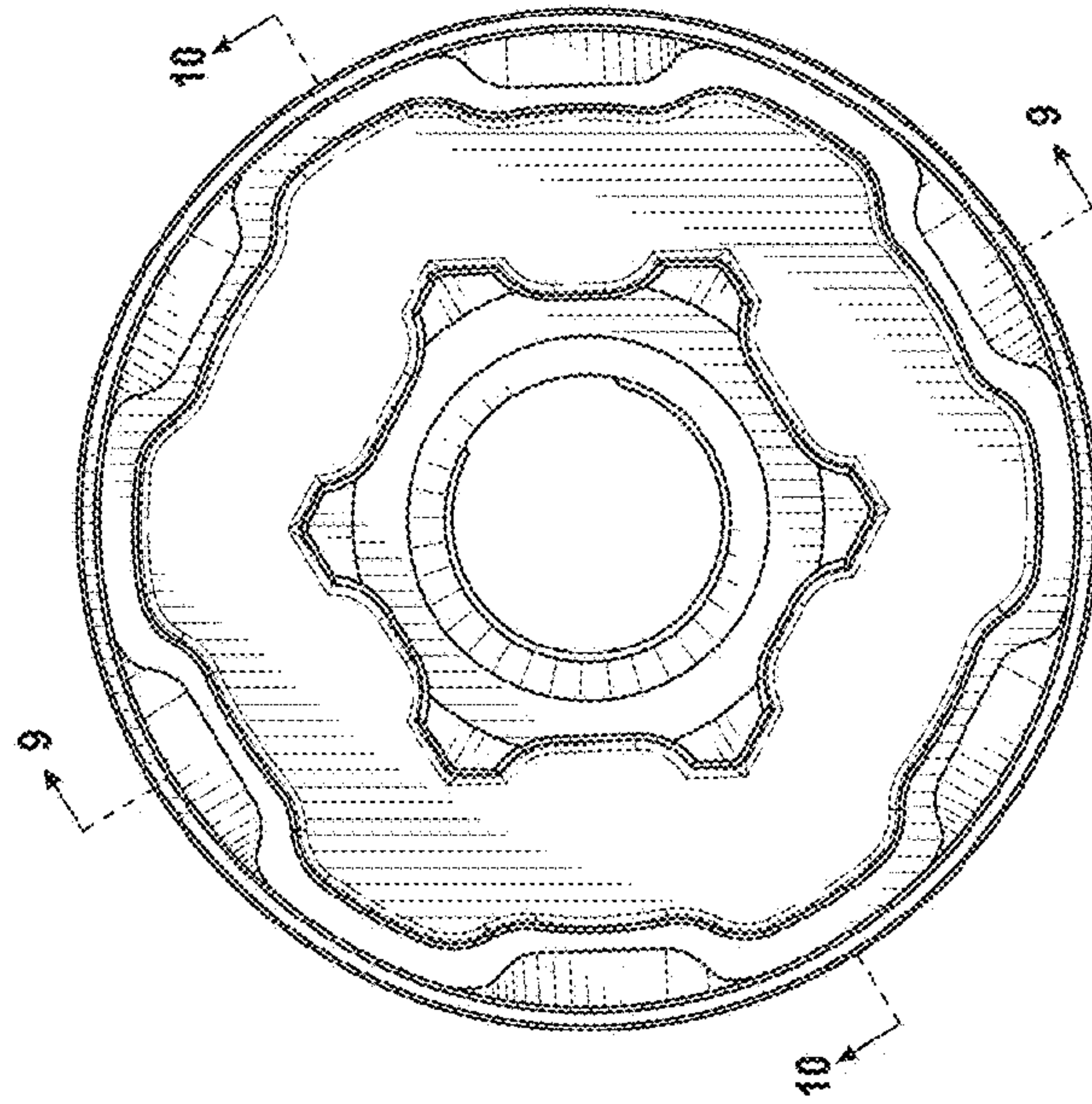


FIG. 6

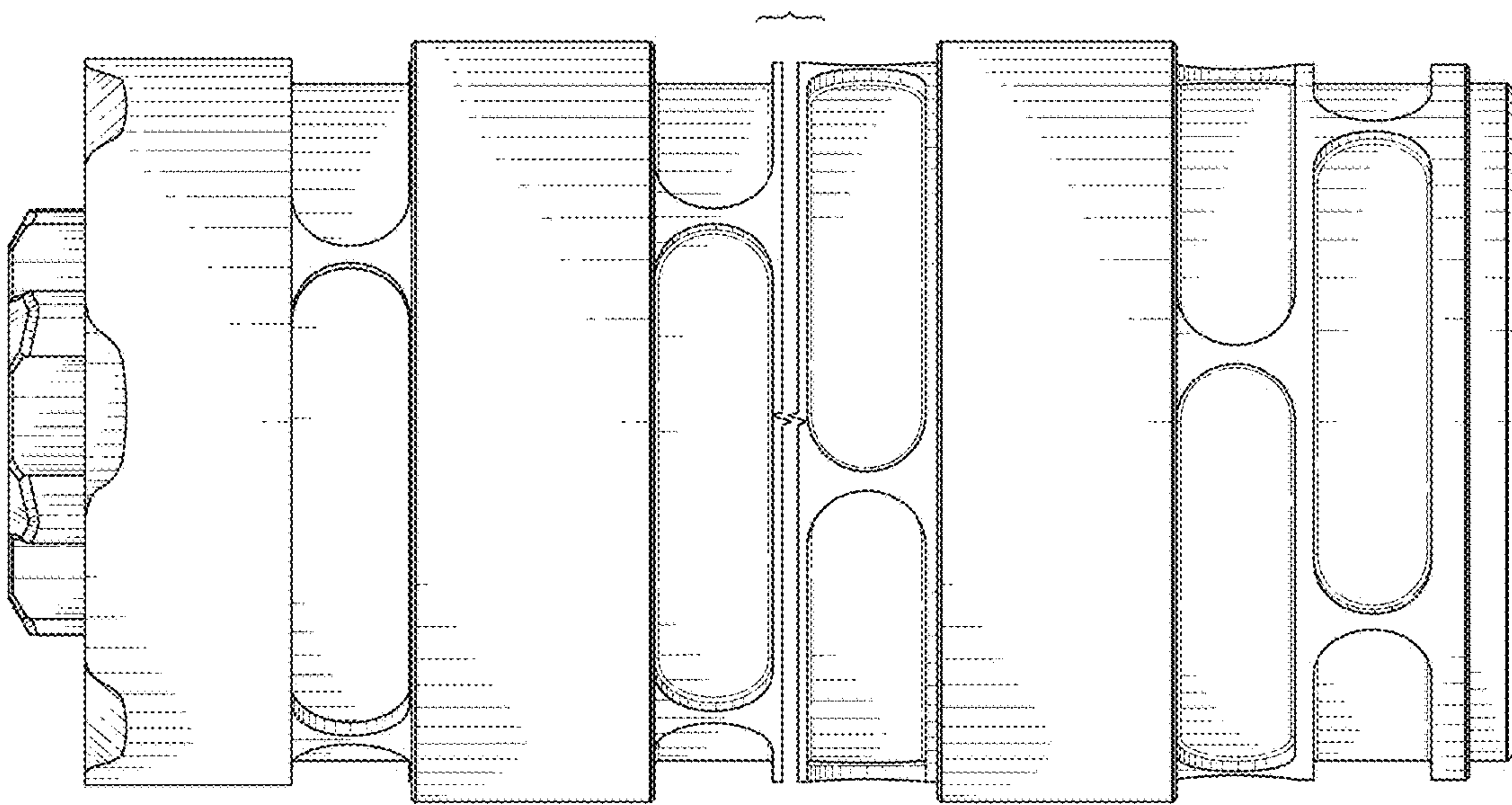


FIG. 5

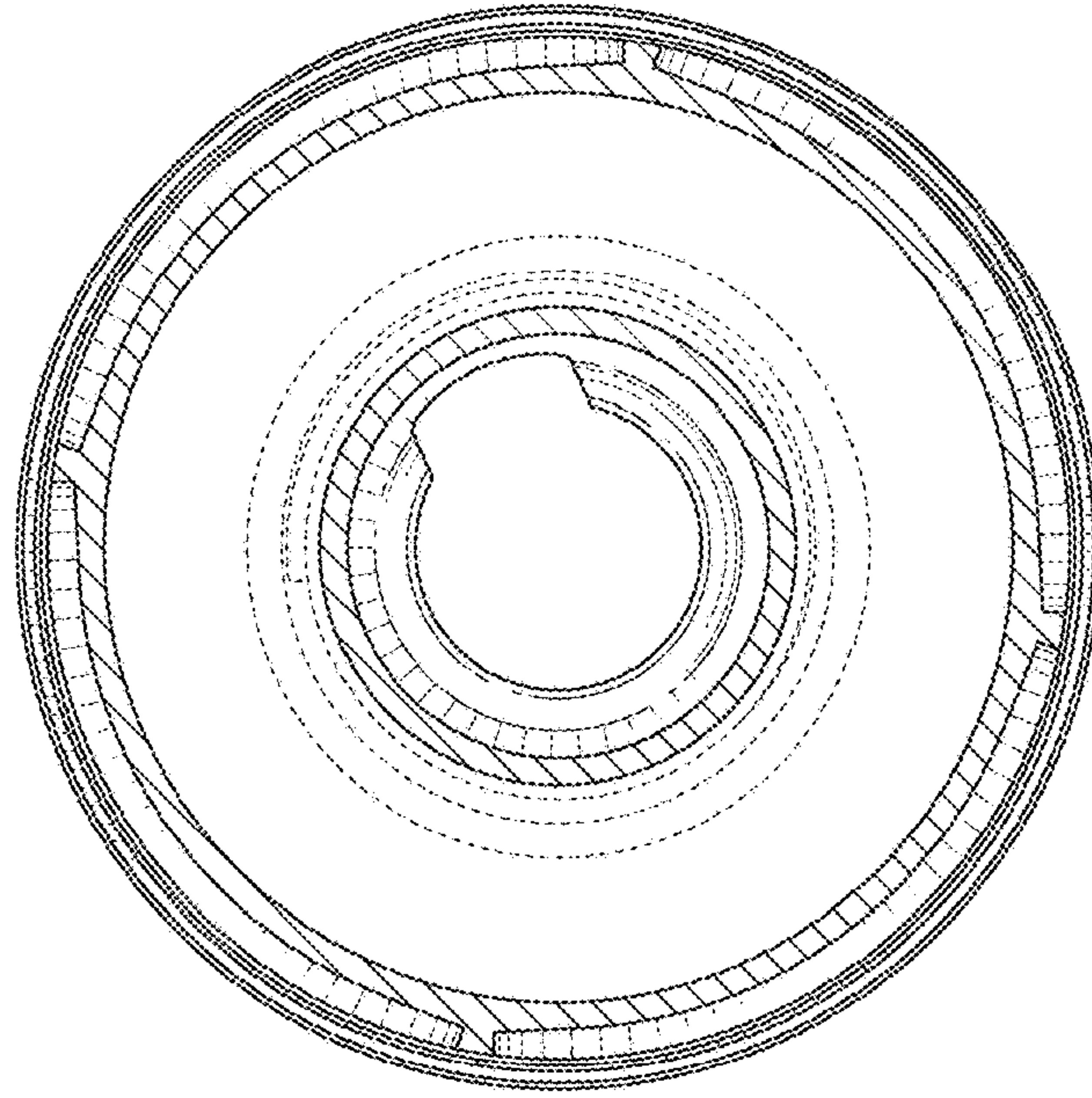


FIG. 8

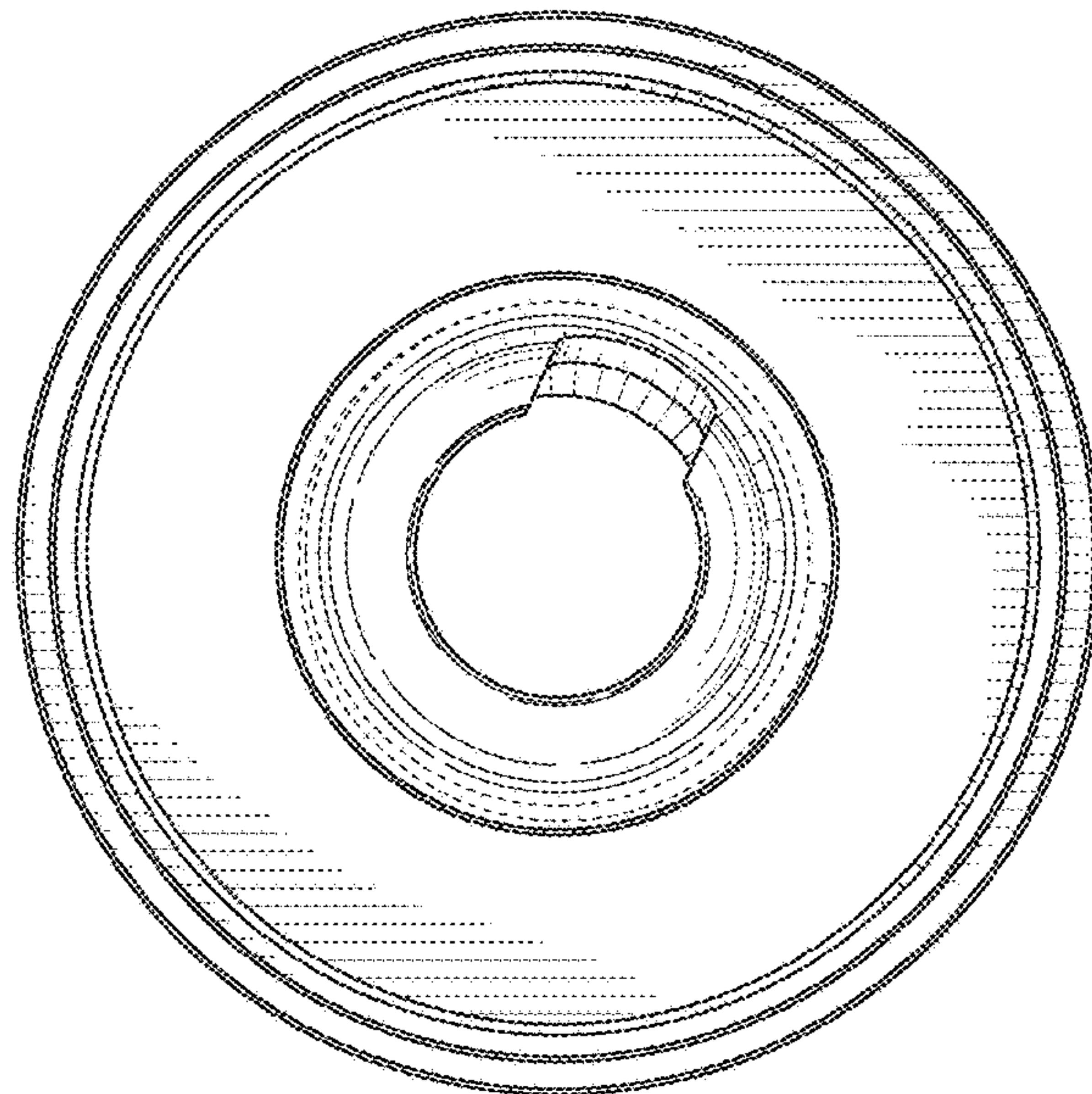


FIG. 7

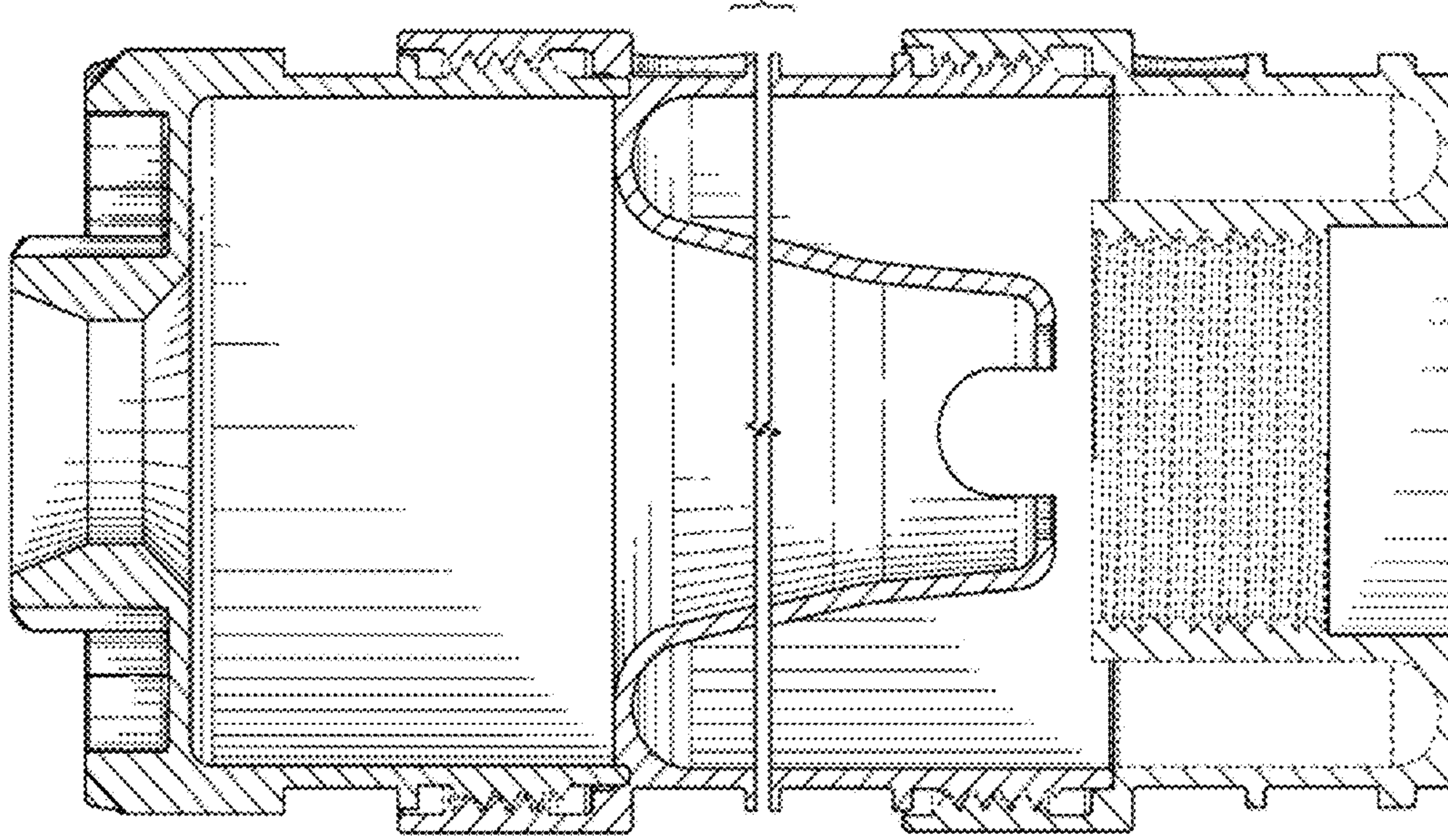


FIG. 10

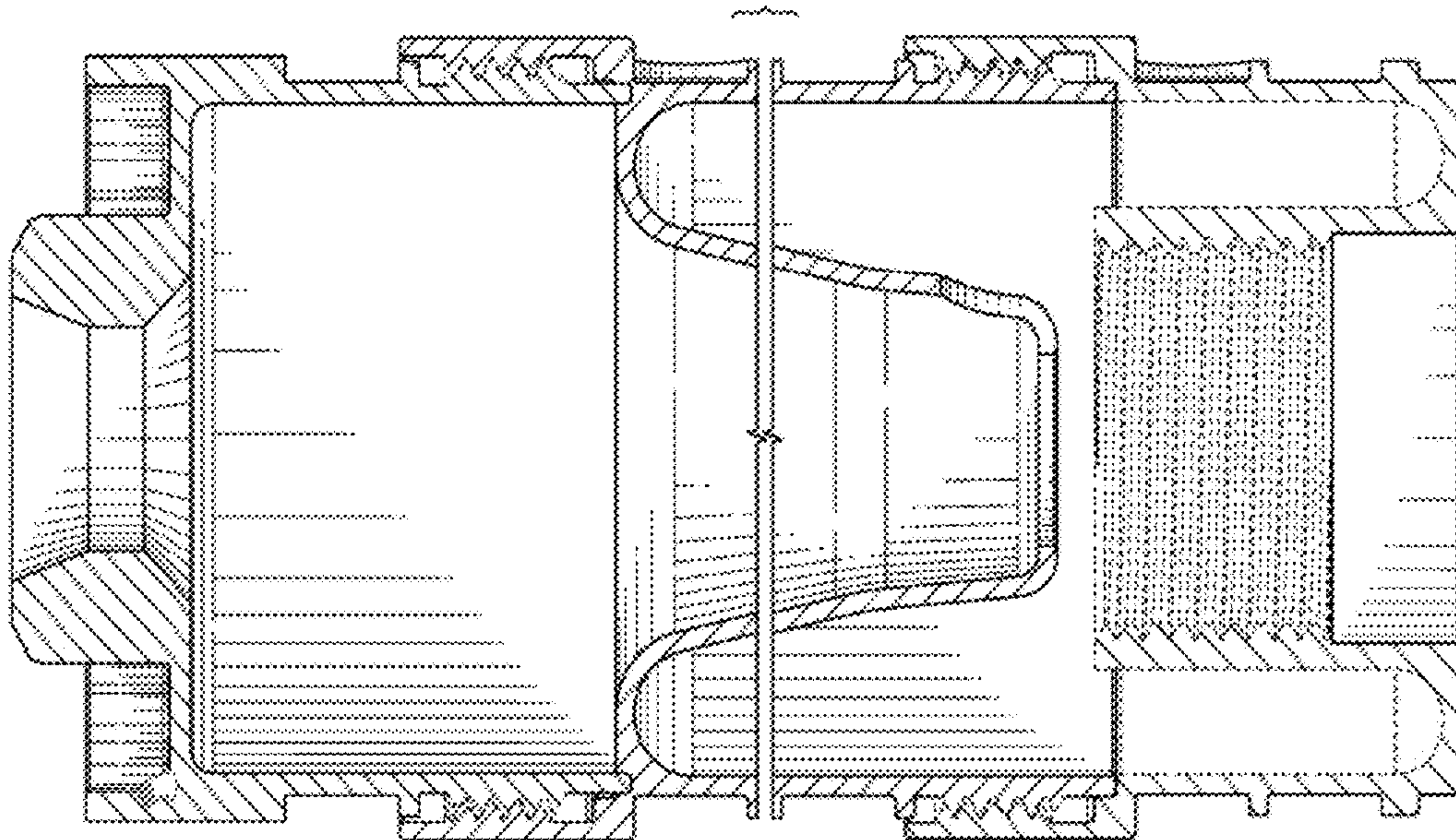


FIG. 9