



US00D837921S

(12) **United States Design Patent**  
**Wright, III**

(10) **Patent No.:** **US D837,921 S**  
(45) **Date of Patent:** **\*\* Jan. 8, 2019**

(54) **HIGH PROFILE ARCHERY BOW HOLDER FOR A TREE STAND**

(71) Applicant: **My Bow Buddy Michigan, LLC**, St. Helen, MI (US)

(72) Inventor: **Ernest William Wright, III**, St. Helen, MI (US)

(73) Assignee: **My Bow Buddy Michigan, LLC**, St. Helen, MI (US)

(\*\*) Term: **15 Years**

(21) Appl. No.: **29/592,953**

(22) Filed: **Feb. 3, 2017**

(51) **LOC (11) Cl.** ..... **22-01**

(52) **U.S. Cl.**  
USPC ..... **D22/107**

(58) **Field of Classification Search**  
USPC ..... D22/107; D6/552, 329, 396, 417, 553, D6/567; D21/385, 662, 698, 571, 707, D21/715; 211/13.1, 49.1, 60.1  
CPC .. F41B 5/1403; F41B 5/10; F41B 5/14; F41B 5/0031; F41B 5/00; F41B 5/1484; F41B 5/1453; B65D 1/06; B65D 71/10; B65D 71/36; F41A 23/04

See application file for complete search history.

(56) **References Cited**

**U.S. PATENT DOCUMENTS**

D260,674 S \* 9/1981 Simmons ..... D22/107  
5,377,657 A \* 1/1995 Foster ..... F41B 5/14  
124/23.1  
D422,333 S \* 4/2000 Foster ..... D22/100  
6,086,026 A \* 7/2000 Pearce ..... F41B 5/14  
211/13.1  
6,131,556 A \* 10/2000 Villarreal ..... F41B 5/14  
124/86

6,244,556 B1 \* 6/2001 Carrillo ..... F41B 5/14  
182/187  
6,663,059 B1 \* 12/2003 Warren ..... A01M 31/02  
124/86  
6,948,694 B1 \* 9/2005 Gilbert ..... F41B 5/14  
124/23.1  
7,314,199 B1 \* 1/2008 Ward ..... F41B 5/14  
248/150  
D617,410 S \* 6/2010 Ficarro ..... D22/107  
(Continued)

**OTHER PUBLICATIONS**

Hi-Profile Hang On Buddy, MyBowBuddy.com, [online], [site visited Jun. 14, 2018]. <URL: <https://www.mybowbuddy.com/products/hi-profile-hang-on-buddy>> (Year: 2018).\*

(Continued)

*Primary Examiner* — T Chase Nelson

*Assistant Examiner* — Jonathan J. Han

(74) *Attorney, Agent, or Firm* — Harness, Dickey & Pierce, P.L.C.

(57) **CLAIM**

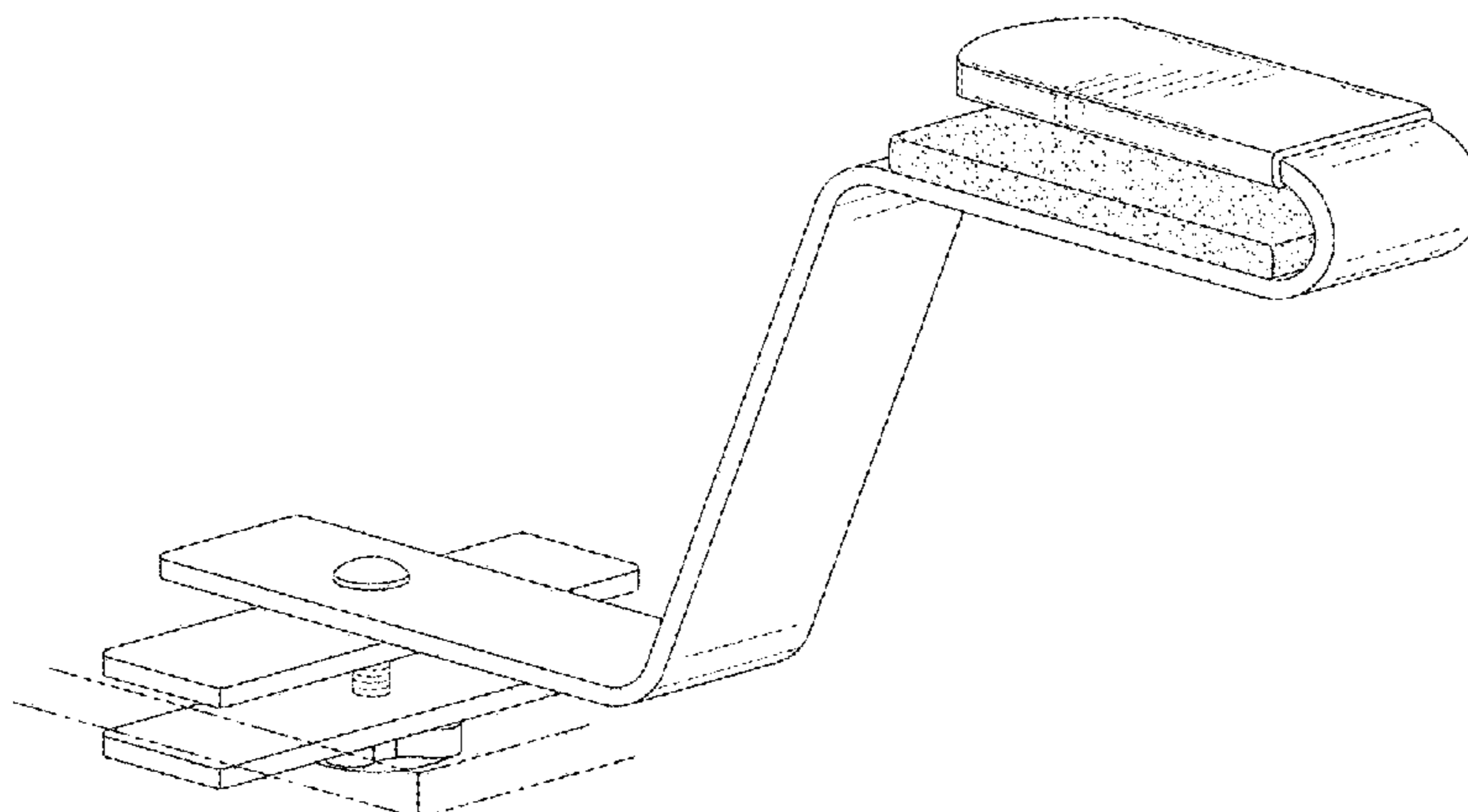
The ornamental design for a high profile archery bow holder for a tree stand, as shown and described.

**DESCRIPTION**

FIG. 1 is a perspective view of a high profile archery bow holder for a tree stand embodying my new design; FIG. 2 is another perspective view thereof; FIG. 3 is a right side view thereof, the left side being a mirror image of the right side view; FIG. 4 is a top view thereof; FIG. 5 is a front view thereof; FIG. 6 is a rear view thereof; and, FIG. 7 is a bottom view thereof.

The broken lines are used to illustrate unclaimed environmental structure and form no part of the claimed design.

**1 Claim, 4 Drawing Sheets**



(56)

References Cited

U.S. PATENT DOCUMENTS

8,231,095 B2 \* 7/2012 Bean ..... F41B 5/14  
 248/316.8  
 D676,515 S \* 2/2013 Mosteller ..... D22/107  
 D677,090 S \* 3/2013 Floyd ..... D6/526  
 8,424,645 B2 \* 4/2013 Schlipf ..... A01M 31/02  
 182/230  
 D685,592 S \* 7/2013 Wright, III ..... D6/552  
 D700,942 S \* 3/2014 Smith ..... D22/108  
 D714,414 S \* 9/2014 Wright, III ..... D22/107  
 D714,415 S \* 9/2014 Wright, III ..... D22/107  
 D741,438 S \* 10/2015 Wright, III ..... D22/107  
 9,347,733 B2 \* 5/2016 Brooks ..... A01M 31/00  
 D767,070 S \* 9/2016 Wright, III ..... D22/107  
 D767,302 S \* 9/2016 Wright, III ..... D6/552  
 D773,581 S \* 12/2016 Brooks ..... D22/107  
 D775,703 S \* 1/2017 Throgmorton ..... D22/107  
 D792,719 S \* 7/2017 Wortell ..... D6/526  
 D804,865 S \* 12/2017 Laskowitz ..... D6/681.1  
 D806,202 S \* 12/2017 Brooks ..... D22/113

D806,524 S \* 1/2018 Honein ..... D8/363  
 D809,905 S \* 2/2018 Gunderson ..... D8/371  
 9,895,572 B2 \* 2/2018 Donato ..... A63B 21/078  
 D820,442 S \* 6/2018 Conatser ..... D24/128

OTHER PUBLICATIONS

Hang-On Buddy, MyBowBuddy.com, [online], [site visited Jun. 14, 2018]. <URL: <https://www.mybowbuddy.com/products/hang-on-buddy>> (Year: 2018).\*

Apple Archery Stand-By Bow & Arrow Holder Practice Stand, FarmsteadArchery.com, [online], [site visited Jun. 14, 2018]. <URL: <http://www.farmsteadarchery.com/applearcheryproarrowsaw-1-1.aspx>> (Year: 2018).\*

Firefly Treestand Bow Holder and Camera Mount, Cabelas.com, [online], [site visited Jun. 14, 2018]. <URL: [https://www.cabelas.com/product/FIREFLY-BOW-CAMERA-MOUNT/2337390.uts?productVariantId=4740077&WT.tsrc=PPC&WT.mc\\_id=GoogleProductAds&WT.z\\_mc](https://www.cabelas.com/product/FIREFLY-BOW-CAMERA-MOUNT/2337390.uts?productVariantId=4740077&WT.tsrc=PPC&WT.mc_id=GoogleProductAds&WT.z_mc)> (Year: 2018).\*

\* cited by examiner

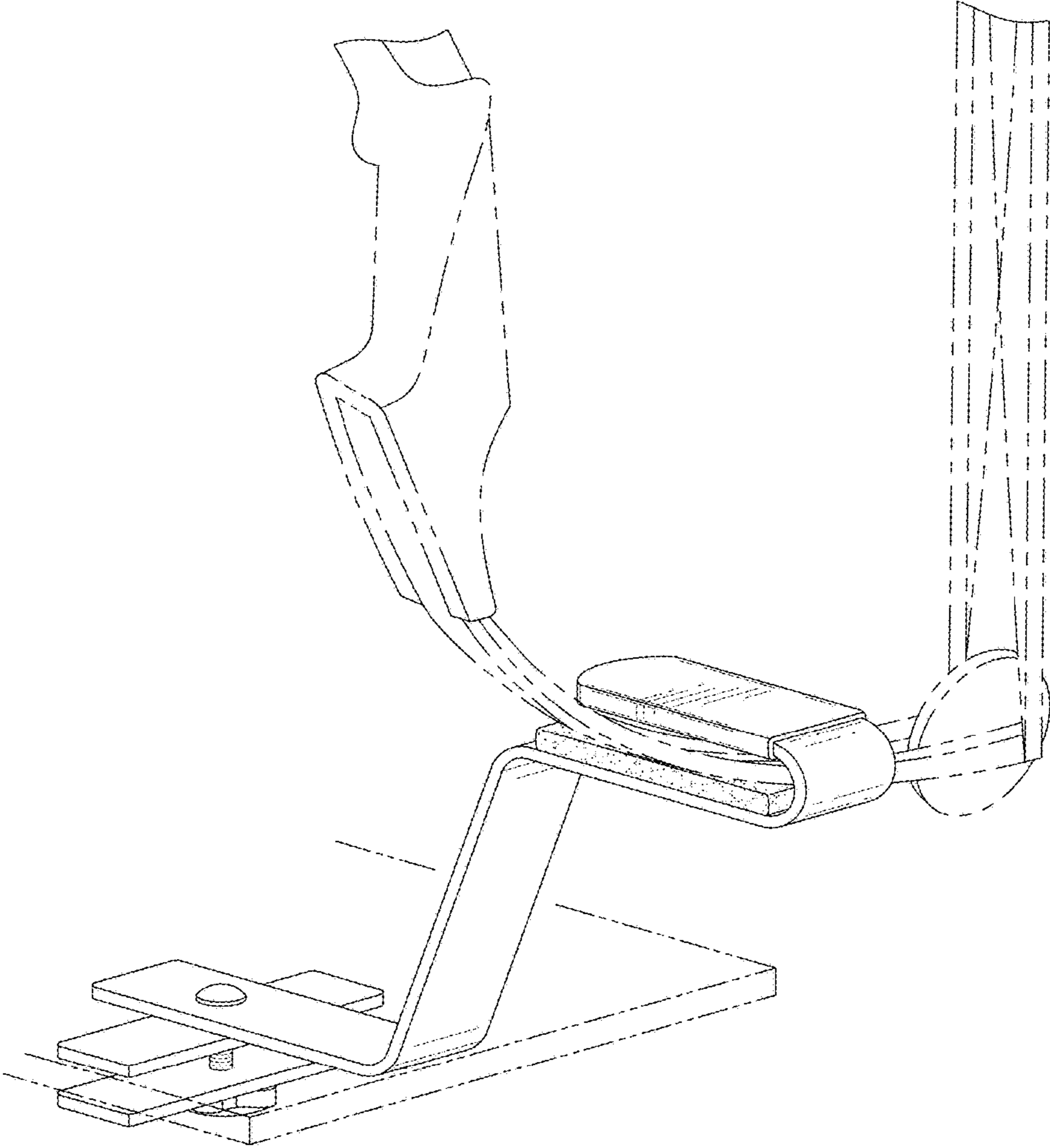
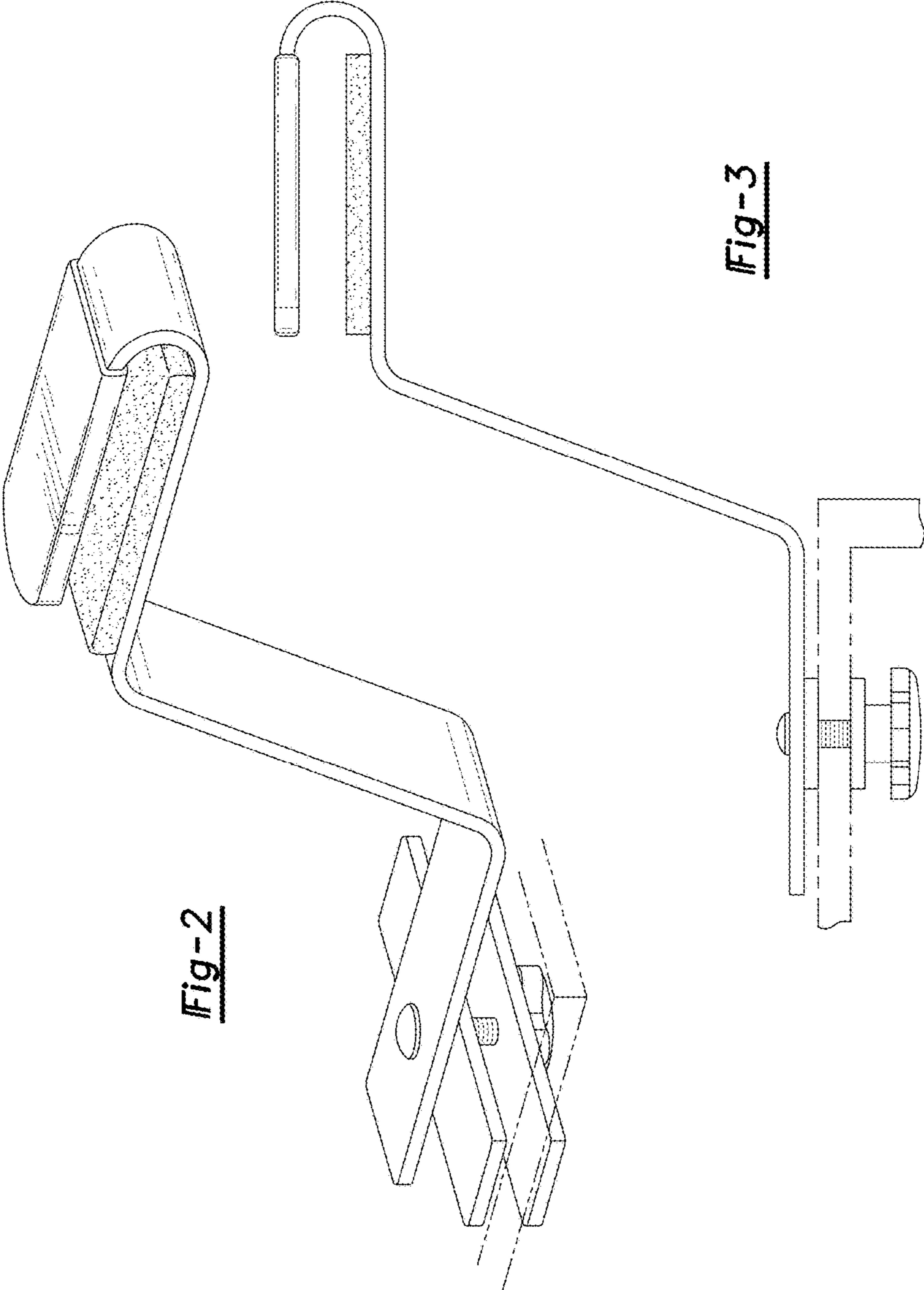
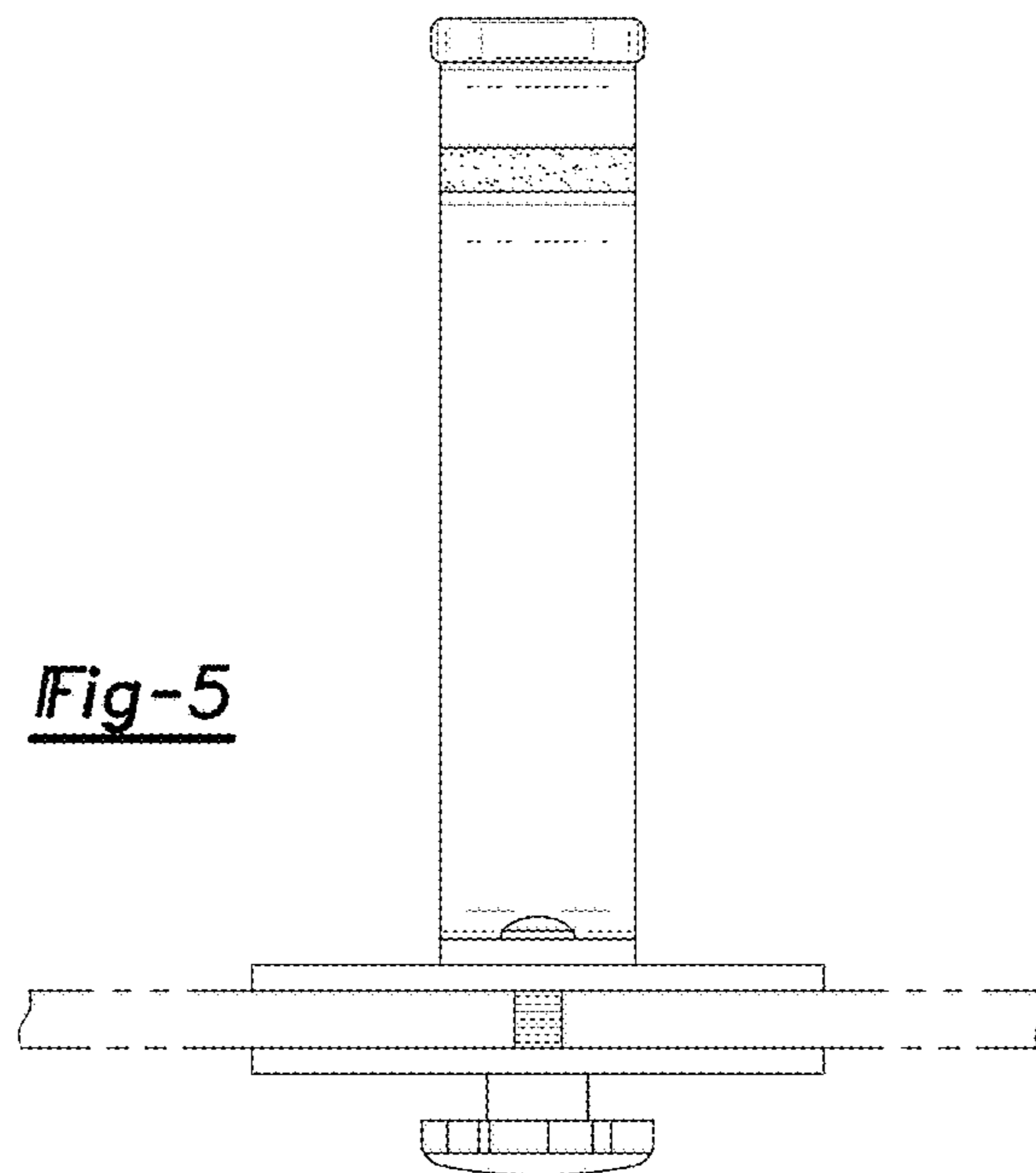
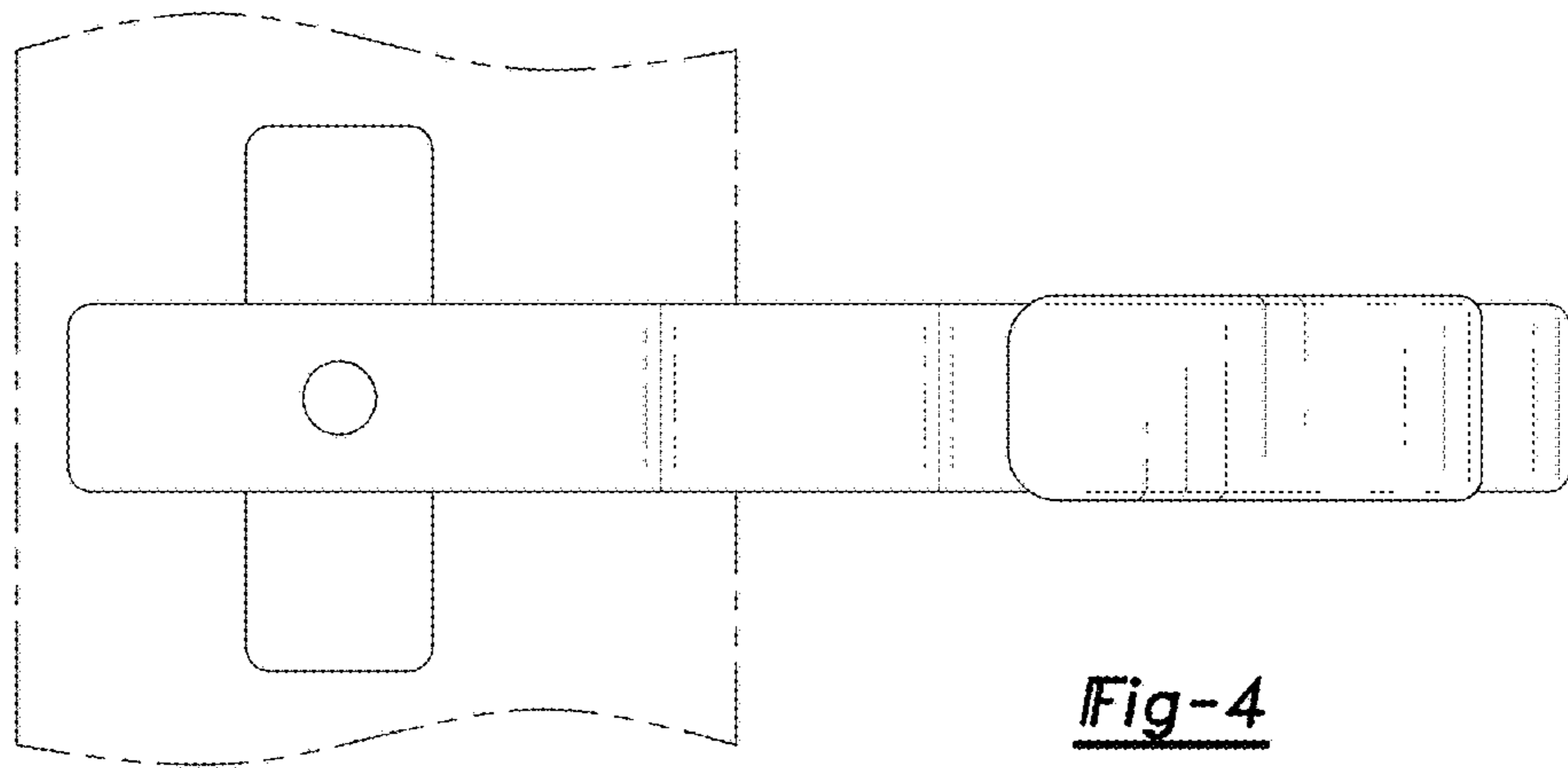


Fig-1





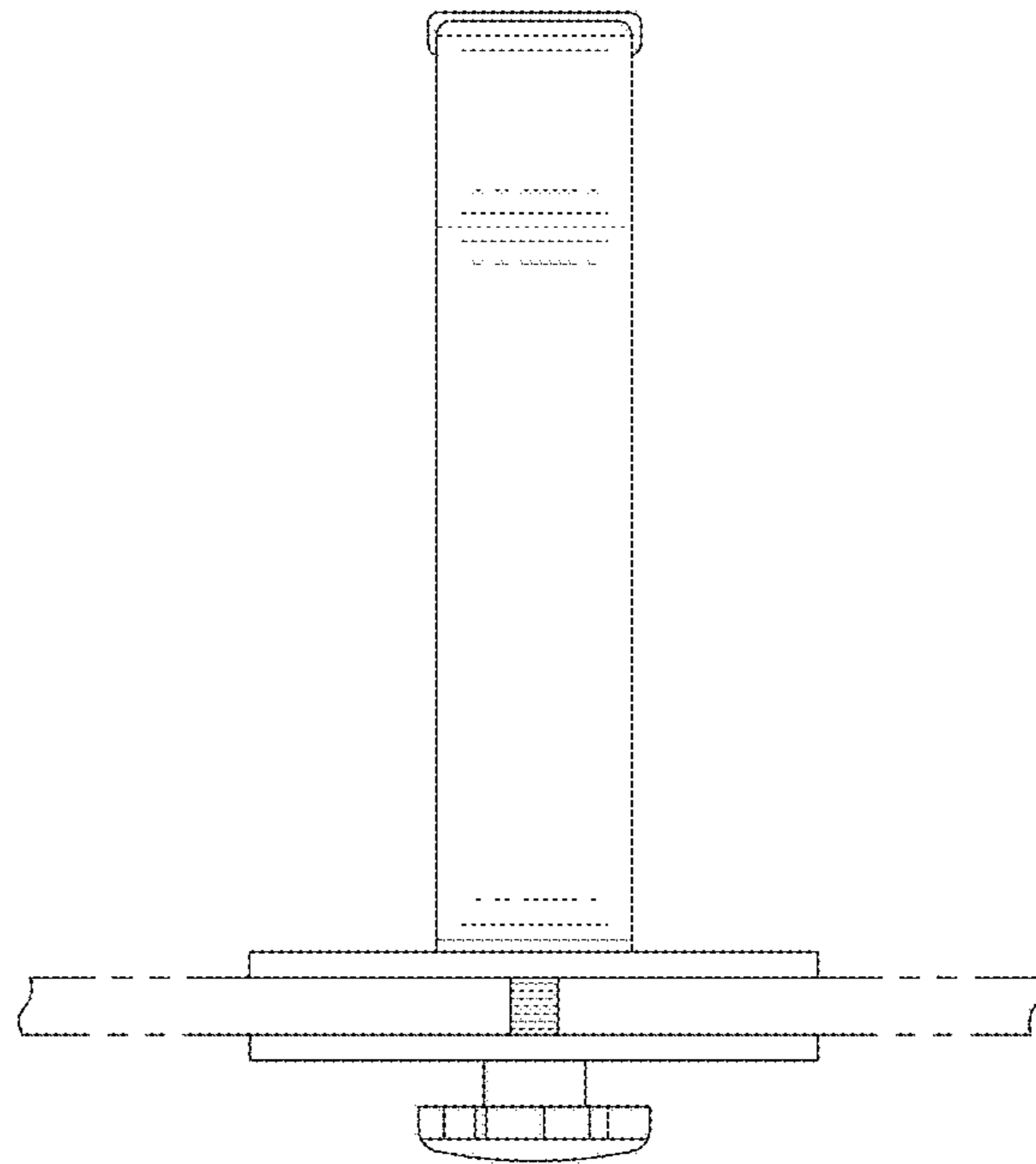


Fig-6

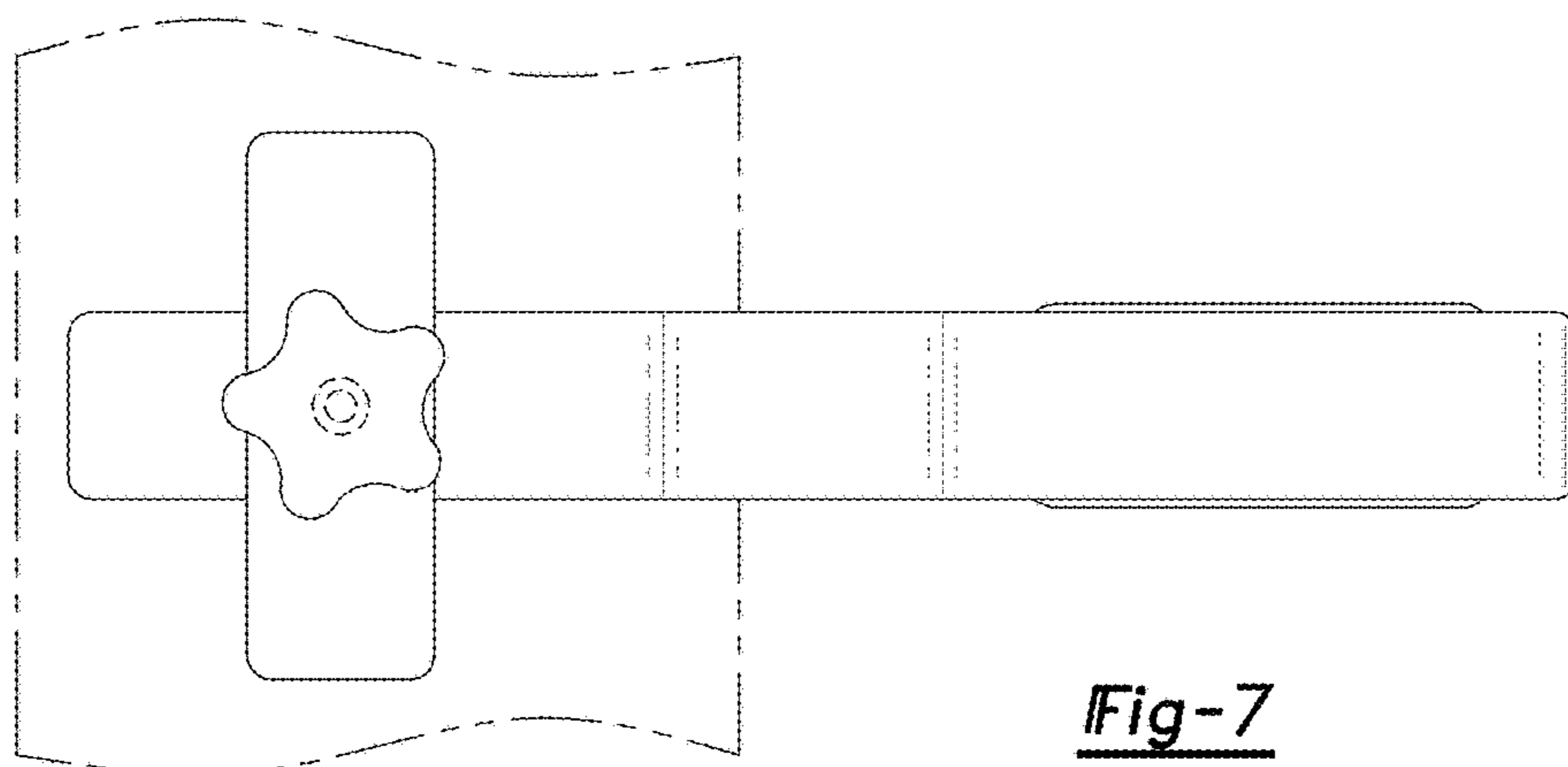


Fig-7